



US00D372666S

United States Patent [19]
Longstreet

[11] **Patent Number: Des. 372,666**

[45] **Date of Patent: **Aug. 13, 1996**

[54] **ROPE LOCK**

3,845,575 11/1974 Boden 24/136 R

[75] Inventor: **Dean E. Longstreet**, Lebanon, Oreg.

Primary Examiner—B. J. Bullock

Attorney, Agent, or Firm—Klarquist, Sparkman, Campbell,
Leigh & Winston, LLP

[73] Assignee: **August Company**, Lebanon, Oreg.

[**] Term: **14 Years**

[57] **CLAIM**

[21] Appl. No.: **35,877**

The ornamental design for a rope lock, as shown and described.

[22] Filed: **Mar. 8, 1995**

[52] U.S. Cl. **D8/383**

DESCRIPTION

[58] **Field of Search** D8/356, 382, 383;
24/129 R, 136 R, 136 L, 136 K, 132 R

FIG. 1 is a perspective view of a rope lock according to the present invention;

FIG. 2 is a top plan view thereof;

FIG. 3 is a side elevational view thereof, all other side elevational views being similar thereto; and,

FIG. 4 is a bottom view thereof.

[56] **References Cited**

U.S. PATENT DOCUMENTS

- D. 328,241 7/1992 Longstreet .
- 3,120,043 2/1964 Henley 24/132 R
- 3,398,714 8/1968 Wallin et al. 24/129 R

1 Claim, 1 Drawing Sheet

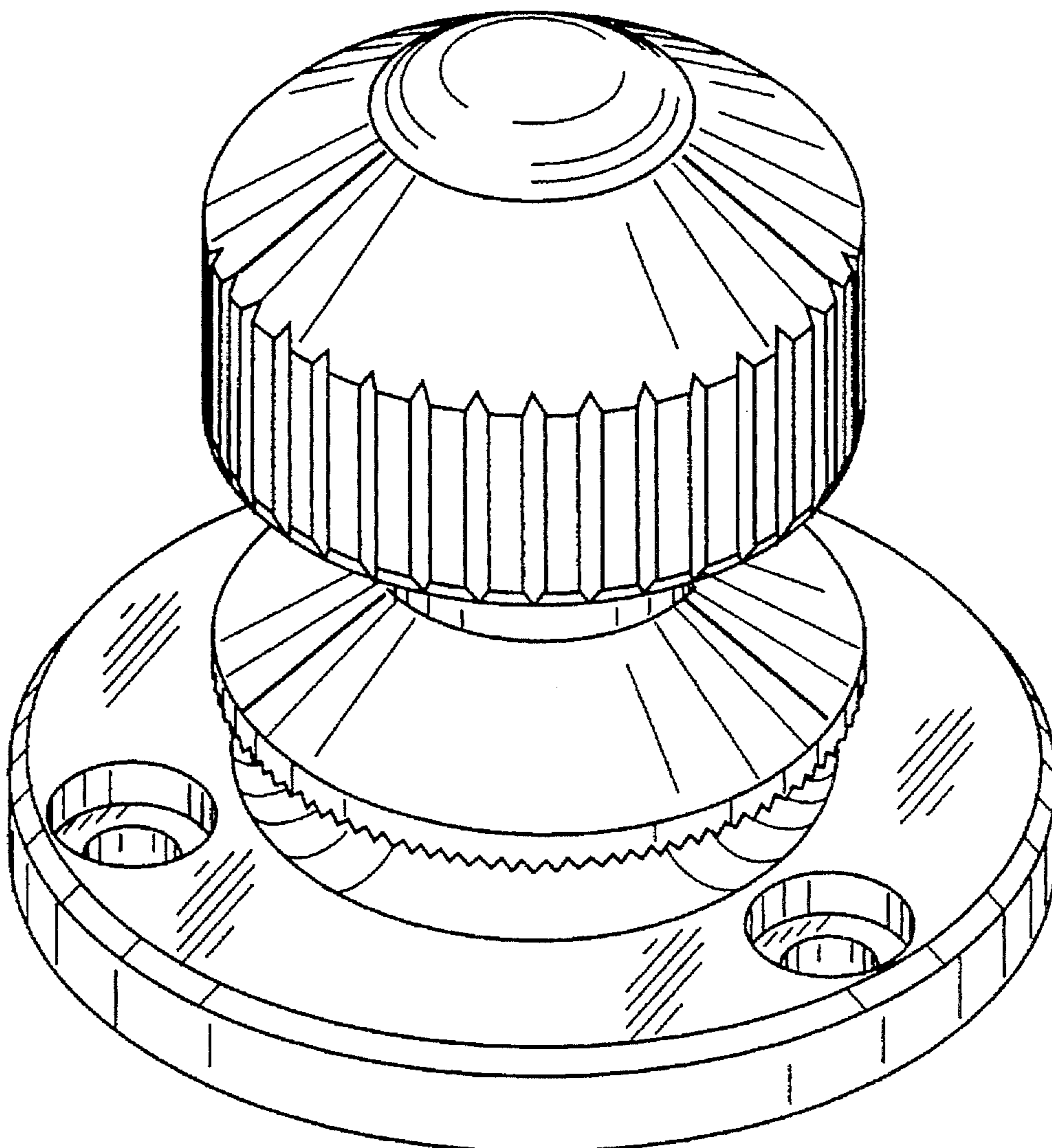


FIG. 1

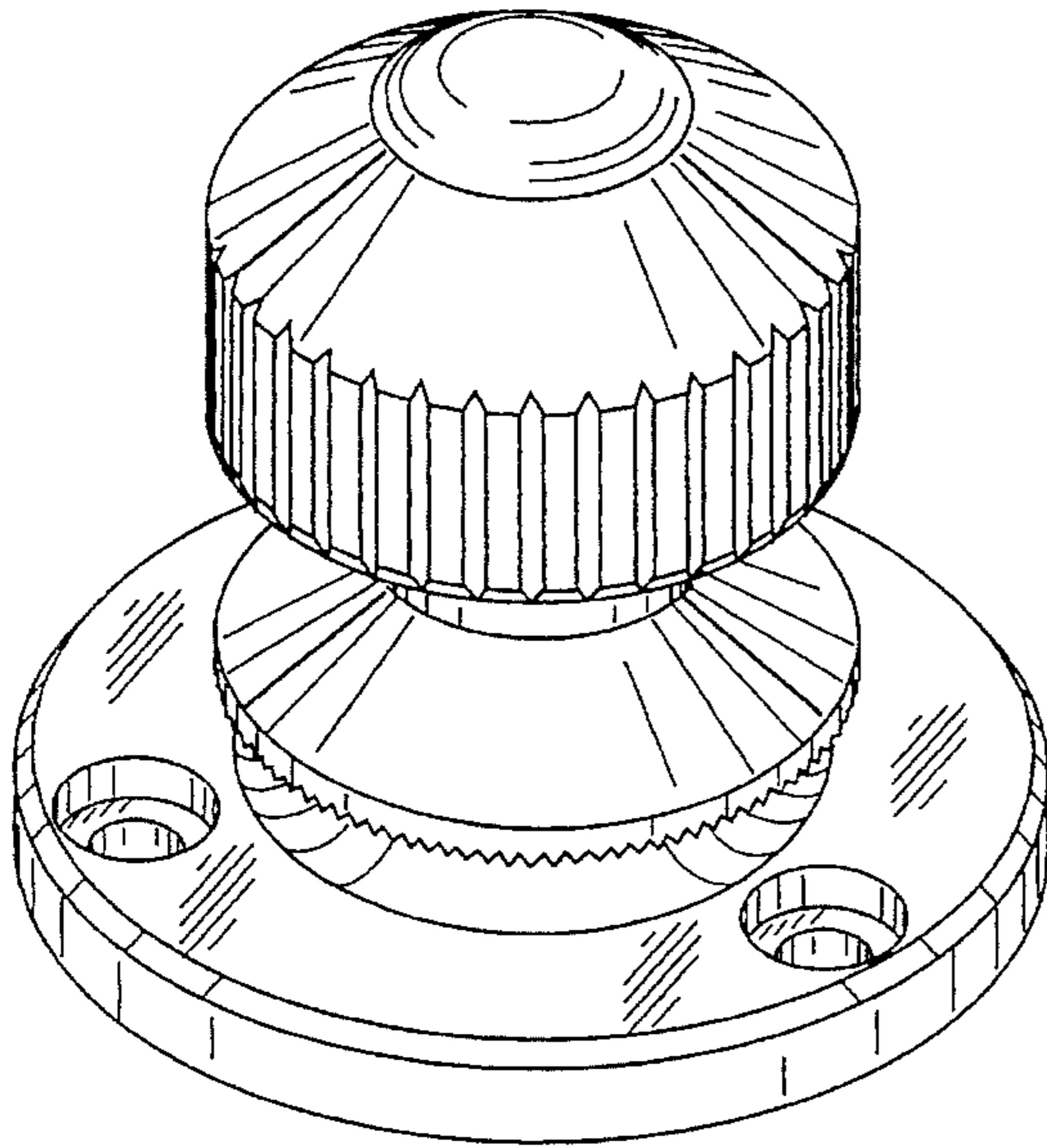


FIG. 2

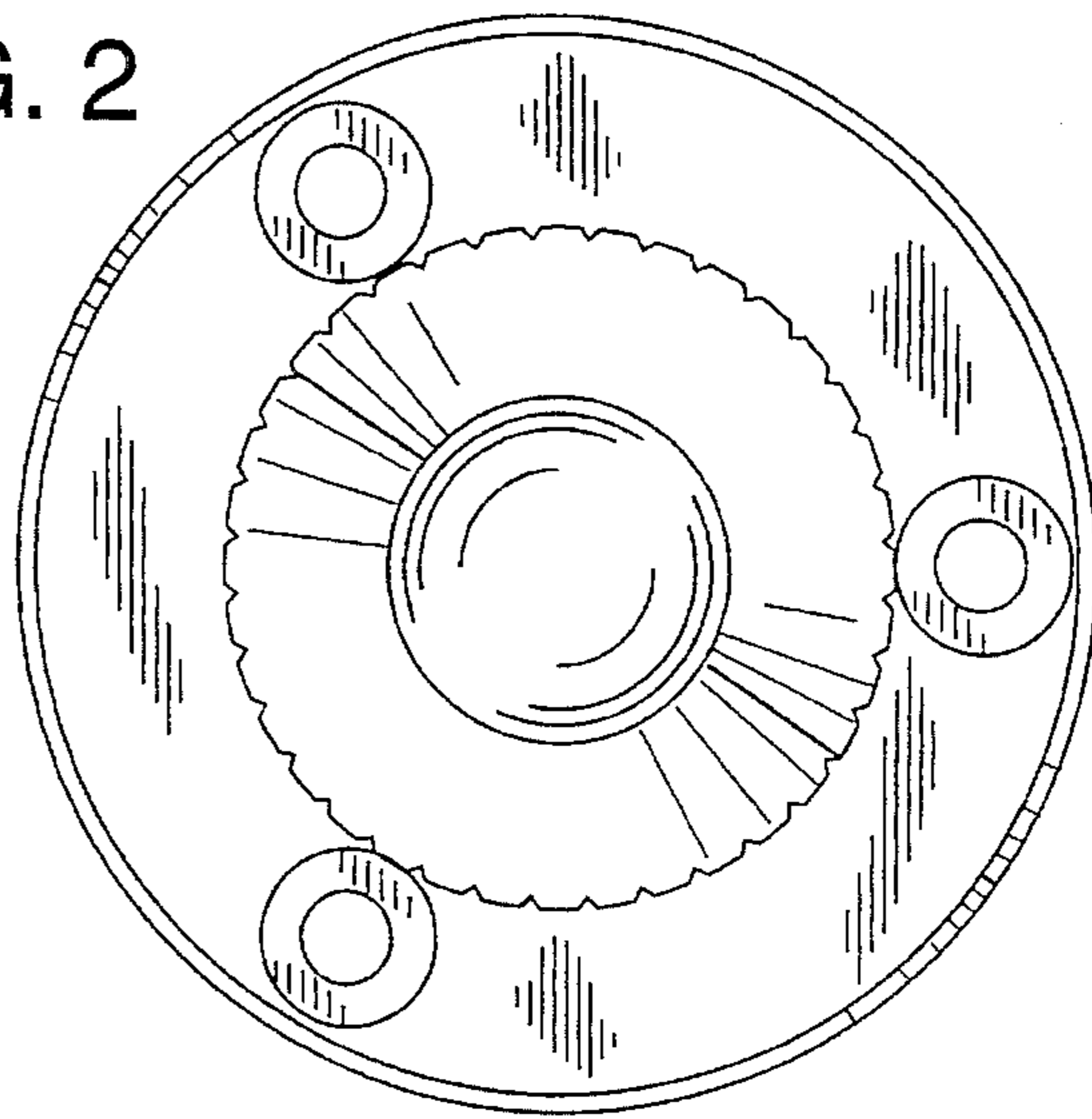


FIG. 3

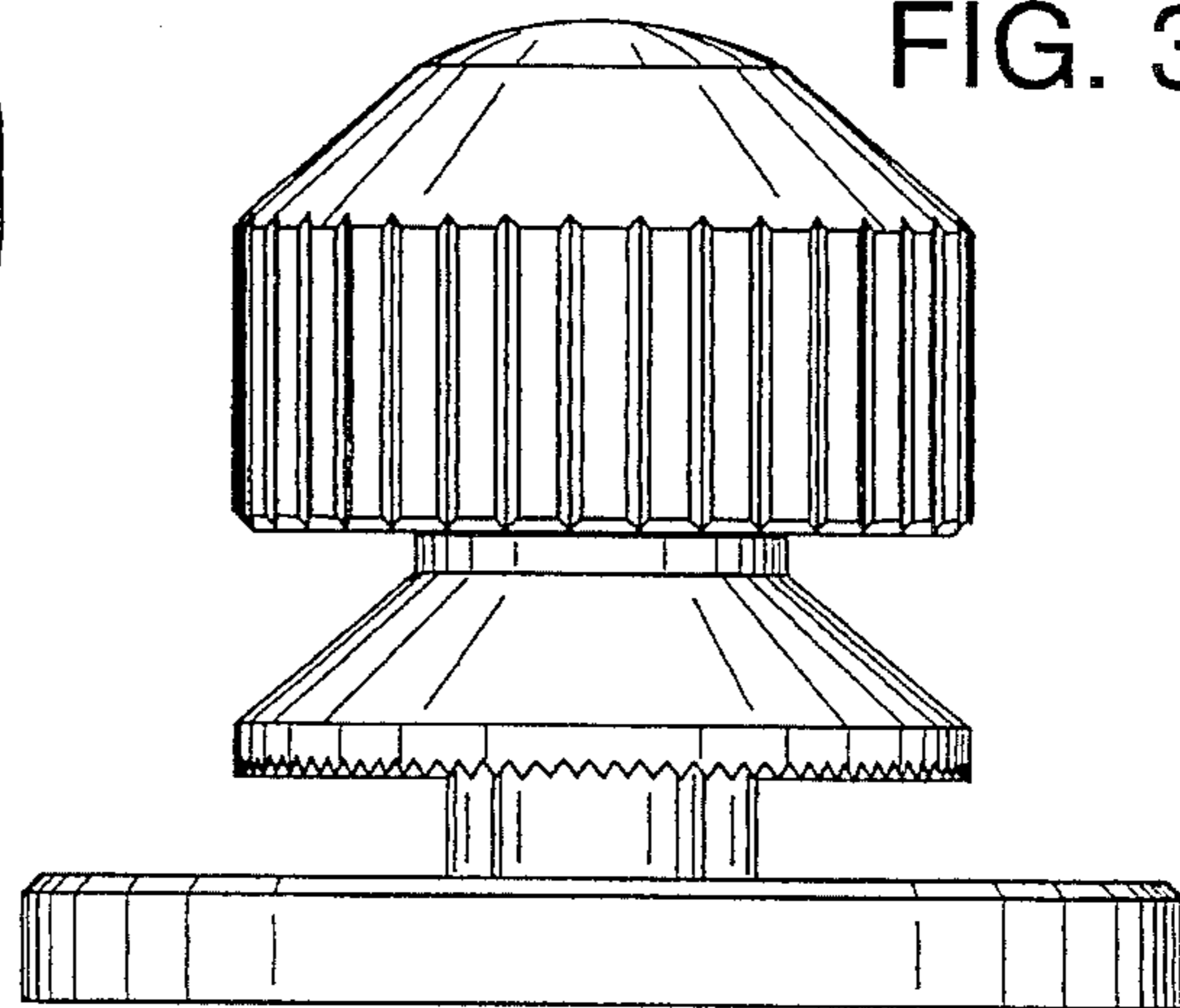


FIG. 4

