



US00D372664S

**United States Patent** [19]  
**Motley**

[11] **Patent Number: Des. 372,664**

[45] **Date of Patent: \*\*Aug. 13, 1996**

[54] **GRIPPING, WIRE FENCE STRETCHER CONNECTOR**

*Primary Examiner*—Terry A. Wallace  
*Attorney, Agent, or Firm*—Craine & Jackson, P.S.

[76] Inventor: **Marvin D. Motley**, 28818 SE. 216th Way, Maple Valley, Wash. 98038

[57] **CLAIM**

[\*\*] Term: **14 Years**

The ornamental design for a gripping, wire fence stretcher connector, as shown and described.

[21] Appl. No.: **39,693**

**DESCRIPTION**

[22] Filed: **Jun. 2, 1995**

[52] **U.S. Cl.** ..... **D8/382**

[58] **Field of Search** ..... D8/44, 382; 256/37, 256/47; 24/133, 191, 69 WT

FIG. 1 is a top perspective view of a gripping, wire fence stretcher connector showing my new design;

FIG. 2 is a front elevational view thereof, the rear elevation view being a mirror image with the exception that the circular ring does not have a break;

FIG. 3 is a top plan view thereof;

FIG. 4 is a right side elevational view thereof; and,

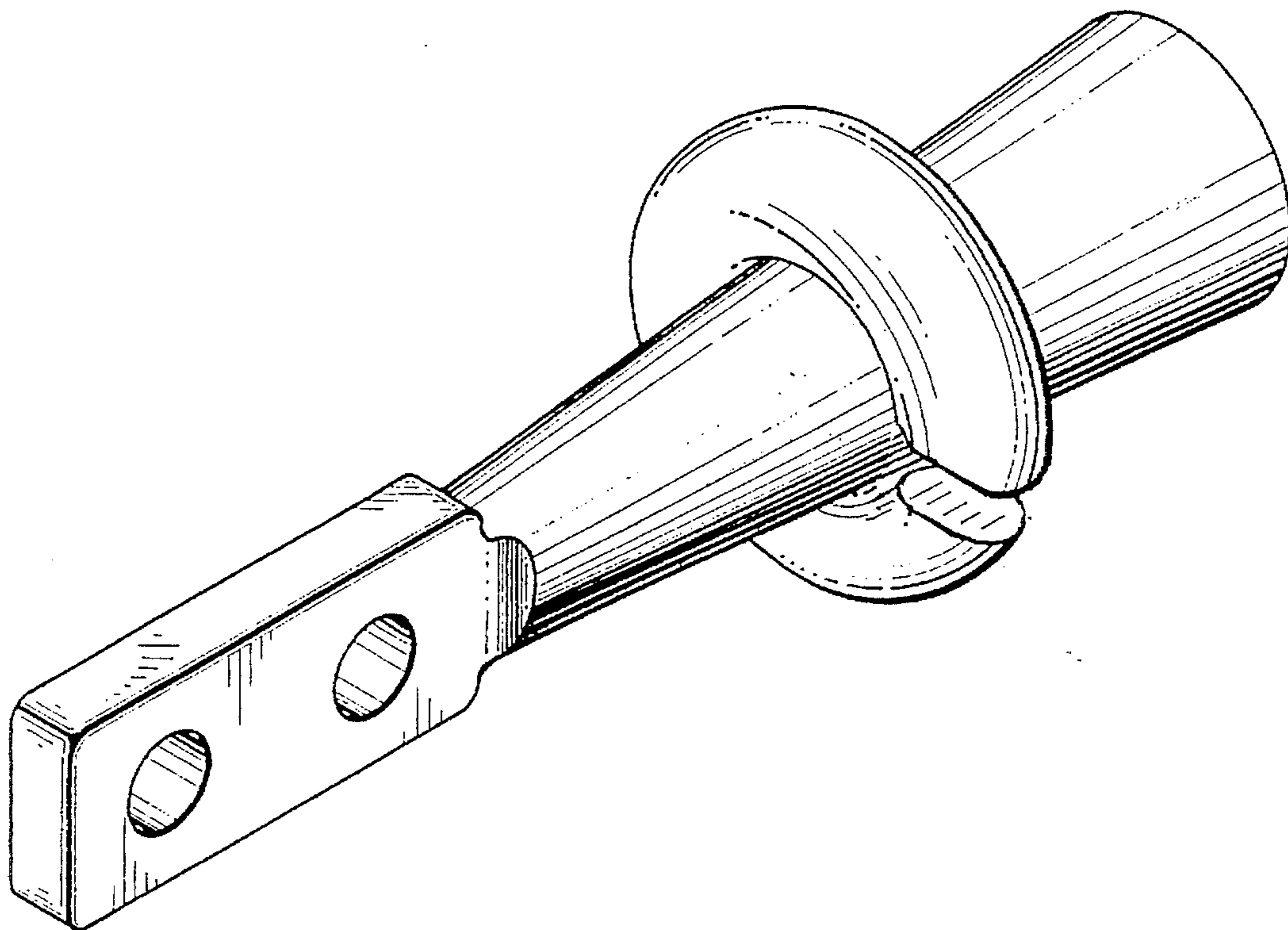
FIG. 5 is a left side elevational view thereof.

[56] **References Cited**

**U.S. PATENT DOCUMENTS**

D. 359,431	6/1995	Motley	.....	D8/44
913,279	2/1909	Geary	.....	256/37
2,732,182	1/1956	Funk	.....	256/37

**1 Claim, 1 Drawing Sheet**



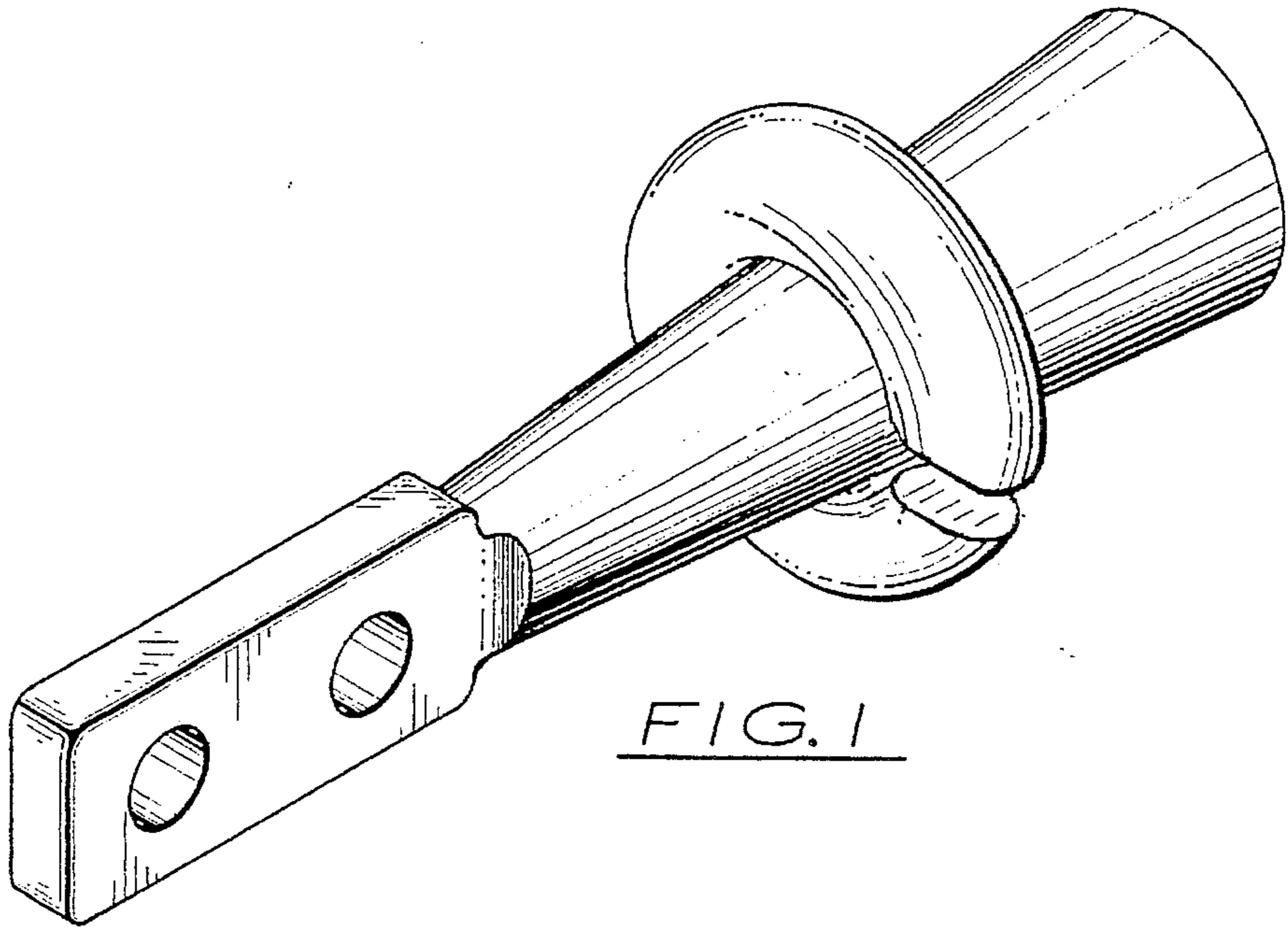


FIG. 1

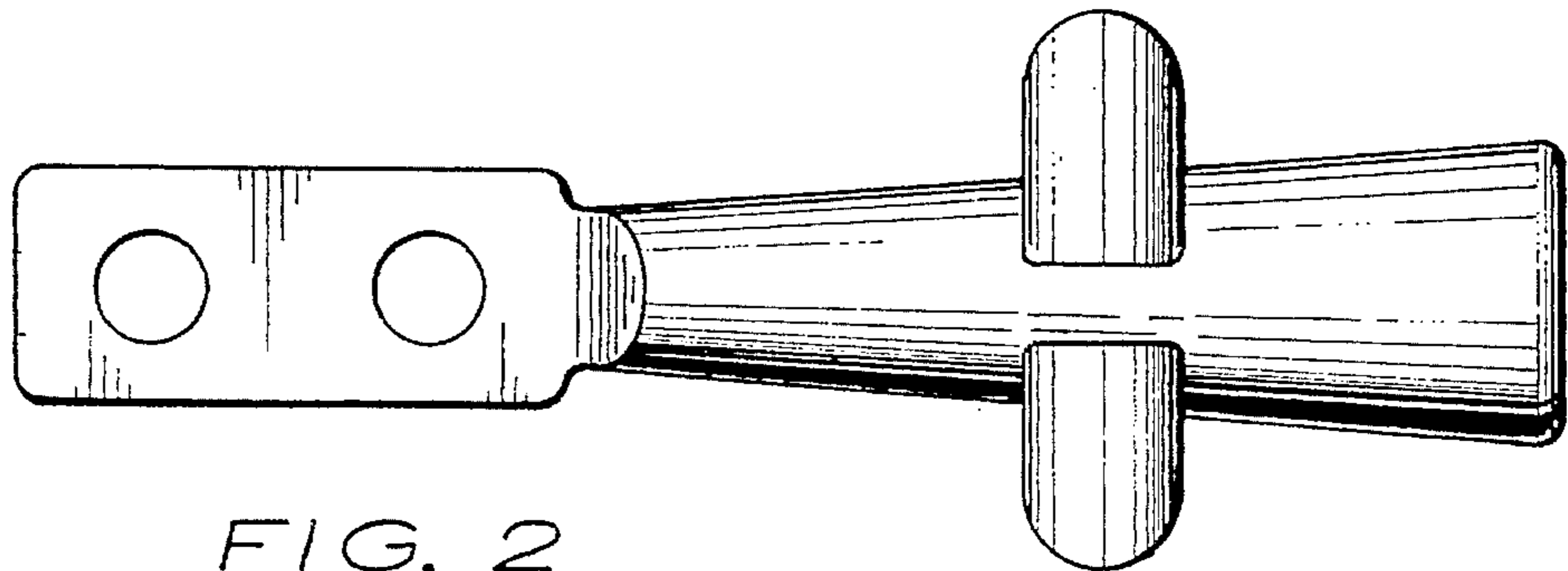


FIG. 2

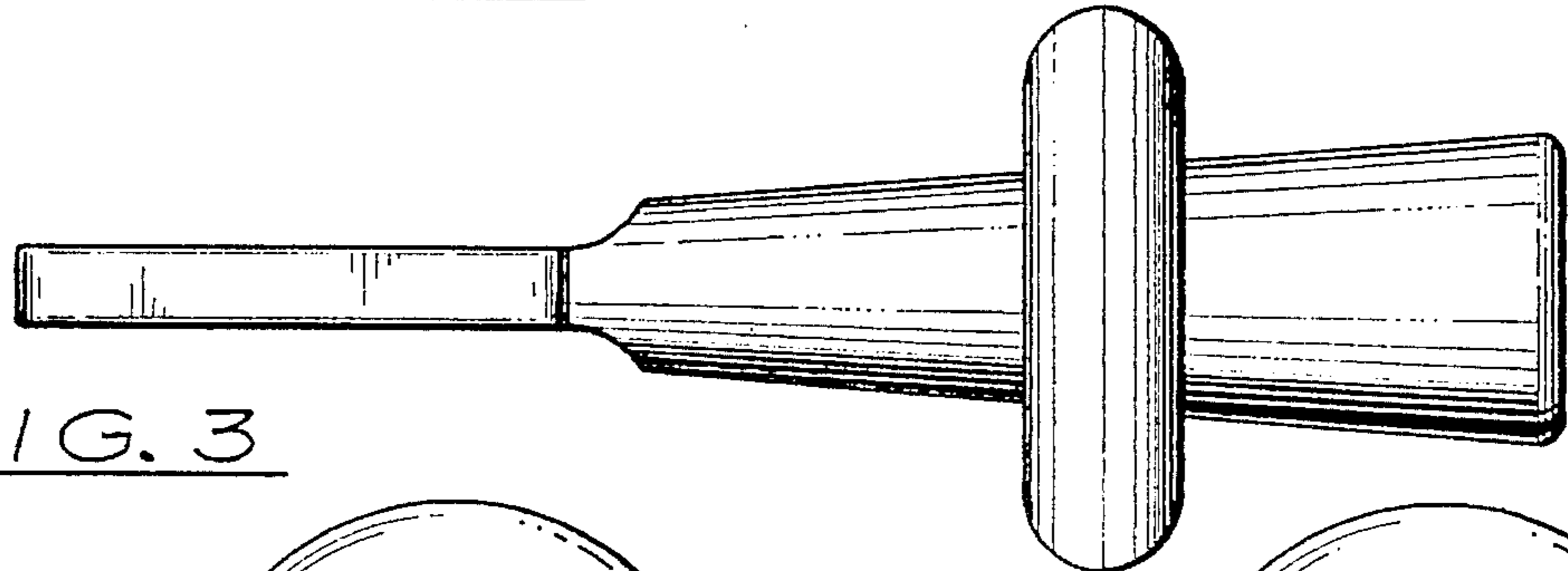


FIG. 3

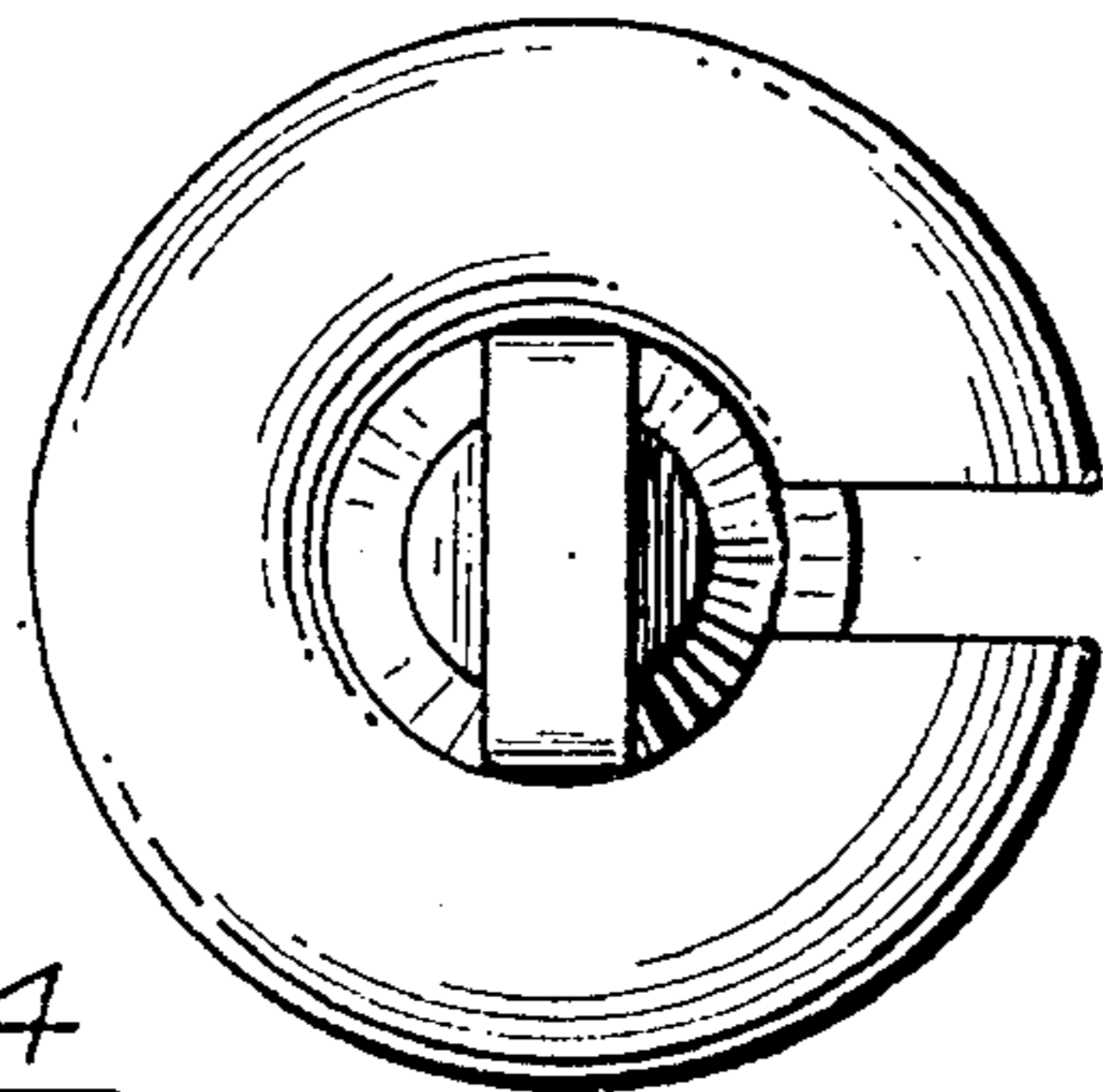


FIG. 4

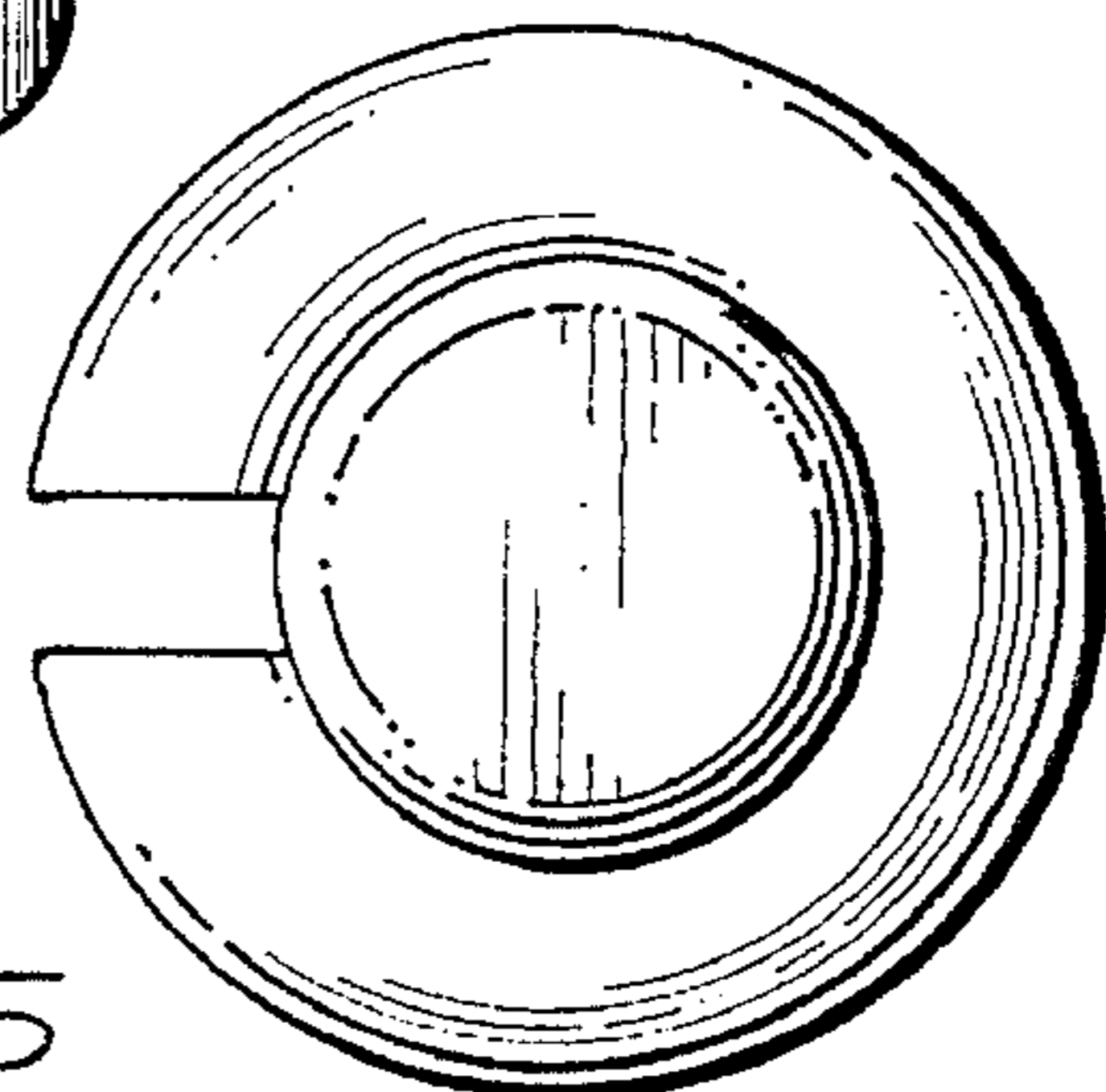


FIG. 5