



US00D372662S

United States Patent [19] Atkinson

[11] Patent Number: **Des. 372,662**

[45] Date of Patent: ****Aug. 13, 1996**

[54] **CENTER BEARING RUBBER INSULATOR**

[75] Inventor: **William A. Atkinson**, Victoria, Australia

[73] Assignee: **Unidrive Pty. Ltd.**, Victoria, Australia

[**] Term: **14 Years**

[21] Appl. No.: **19,544**

[22] Filed: **Mar. 4, 1994**

[52] U.S. Cl. **D8/354; D15/138**

[58] Field of Search **D8/349, 354, 394-396; 384/536; 248/27.1, 61-62, 57-58, 68.1, 74.1-74.3, 74.4, 230; D15/138**

[56] **References Cited**

U.S. PATENT DOCUMENTS

2,897,023	7/1959	Burkhalter et al.	384/536
4,392,694	7/1983	Reynolds	384/536
4,463,993	8/1984	Brissette et al.	384/536
4,865,470	9/1989	Mazziotti	384/536 X

Primary Examiner—Holly H. Baynham
Attorney, Agent, or Firm—Oliff & Berridge

[57] **CLAIM**

The ornamental design for center bearing rubber insulator, as shown and described.

DESCRIPTION

FIG. 1 is a top plan view of the center bearing rubber insulator;

FIG. 2 is a bottom plan view of the center bearing rubber insulator;

FIG. 3 is a side view of the center bearing rubber insulator with the visible surface of FIG. 2 facing upward;

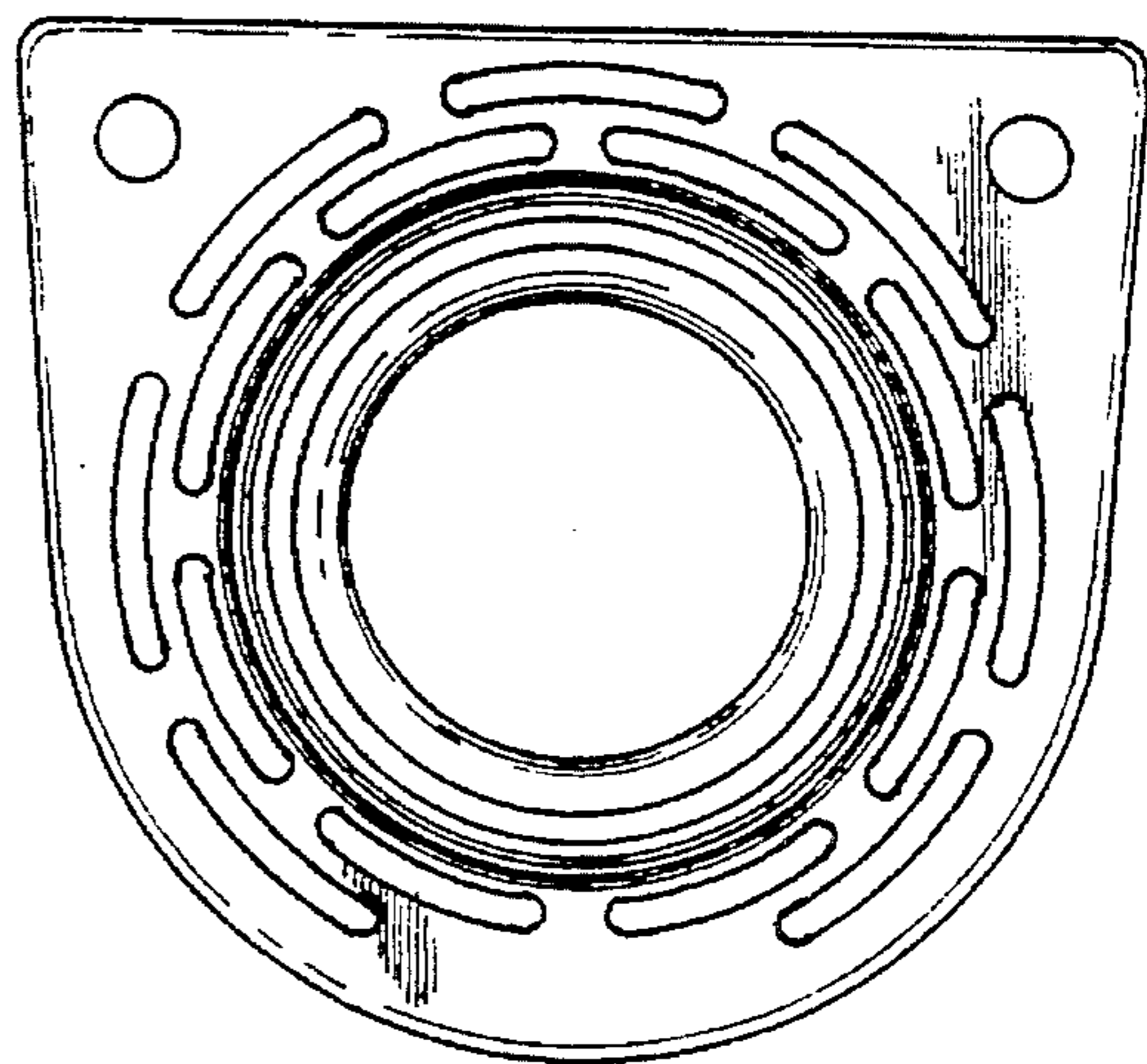
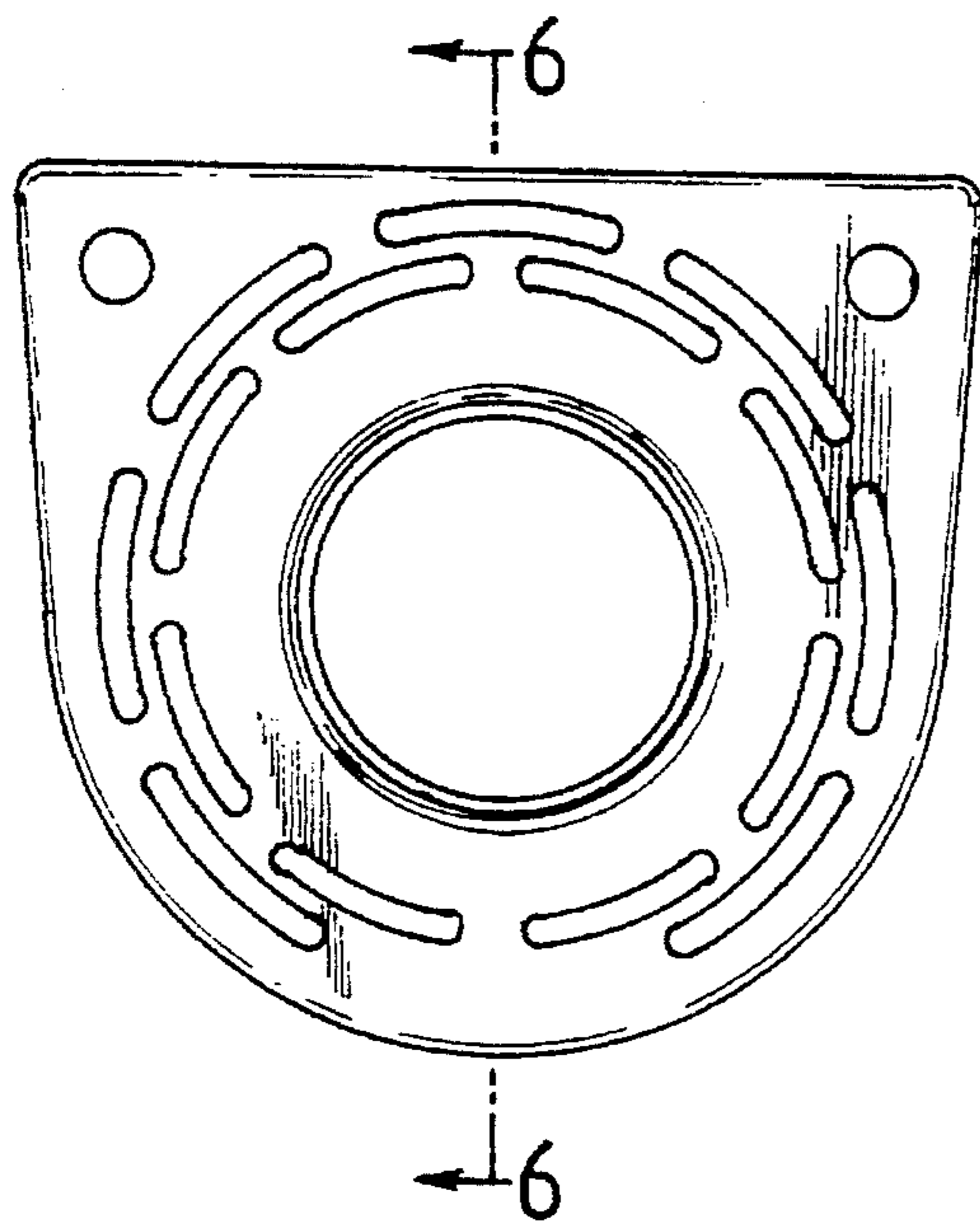
FIG. 4 is an opposite side view of the center bearing rubber insulator with the visible surface of FIG. 1 facing upward;

FIG. 5 is a left end view of the center bearing rubber insulator with the opposite end being a mirror image;

FIG. 6 is a cross-sectional view of the center bearing rubber insulator taken along line 6—6 of FIG. 1; and,

FIG. 7 is an enlarged, fragmented sectional view of the top portion of the center bearing rubber insulator shown in FIG. 6.

1 Claim, 1 Drawing Sheet



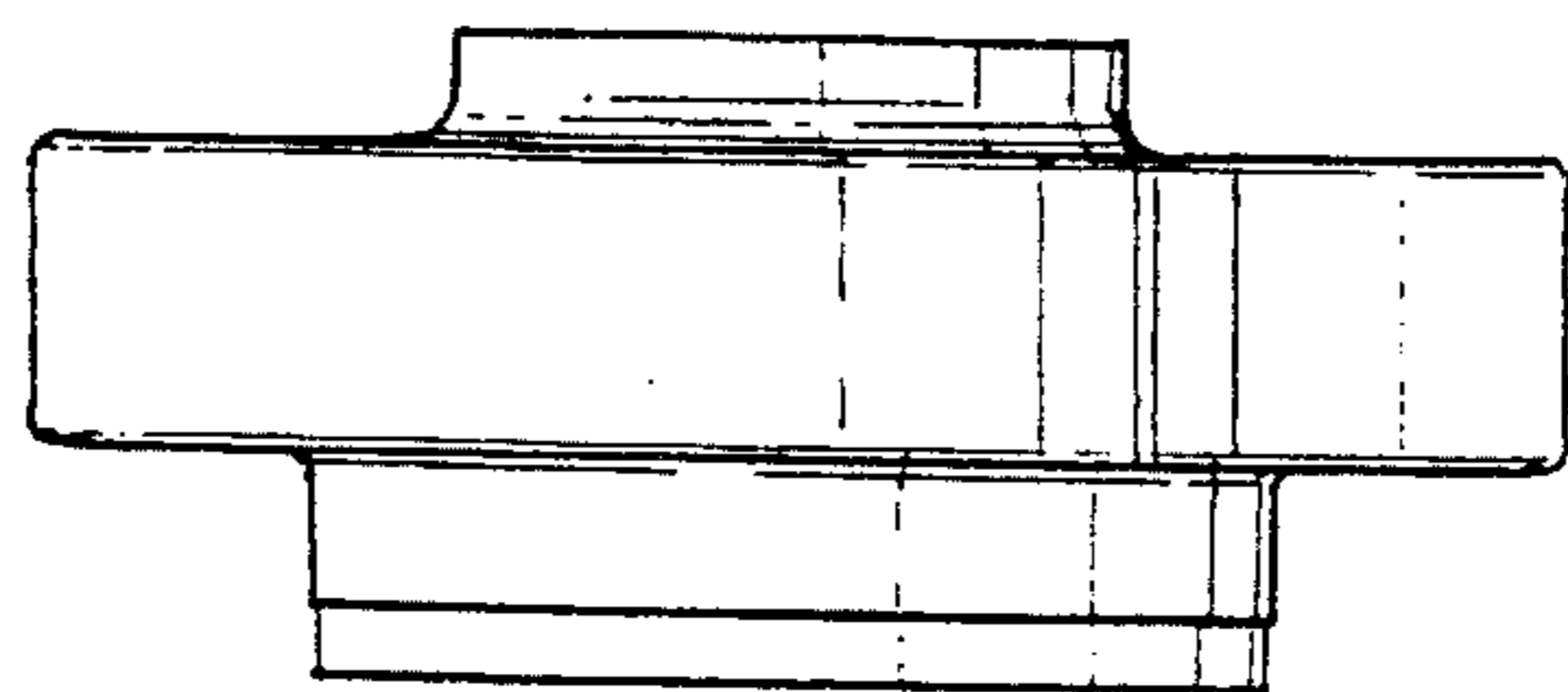
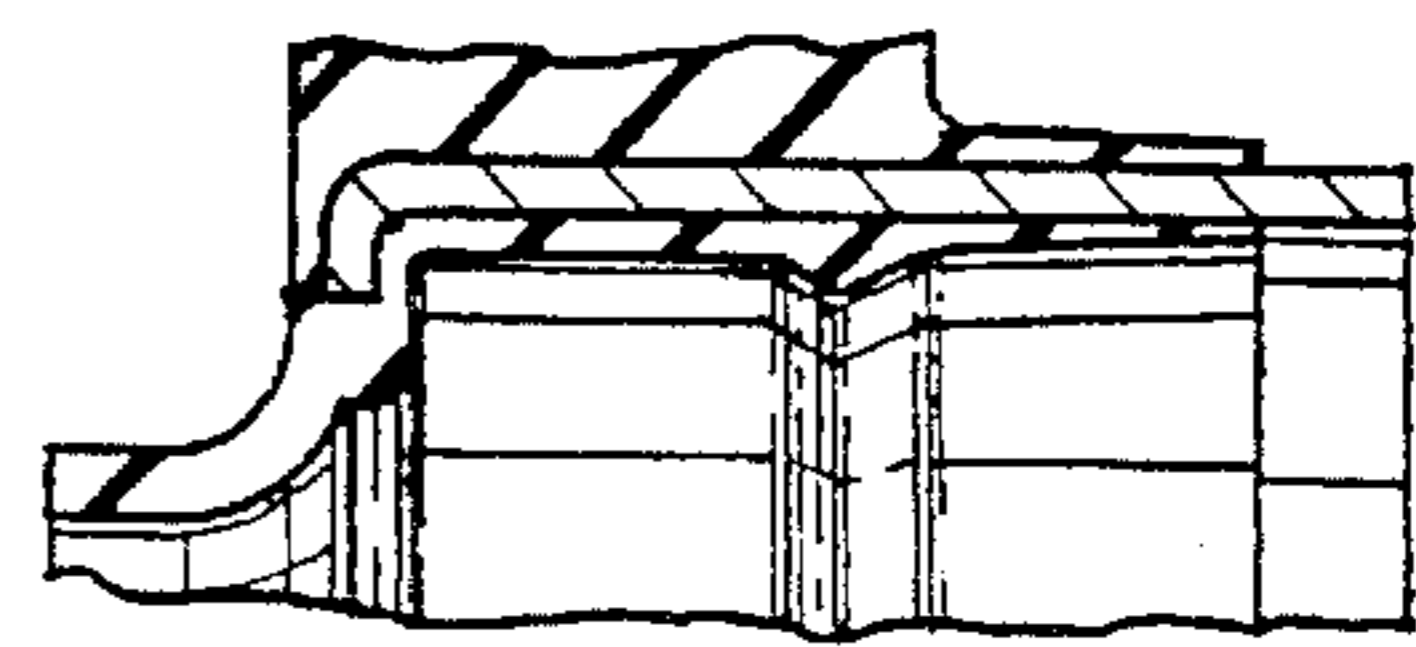
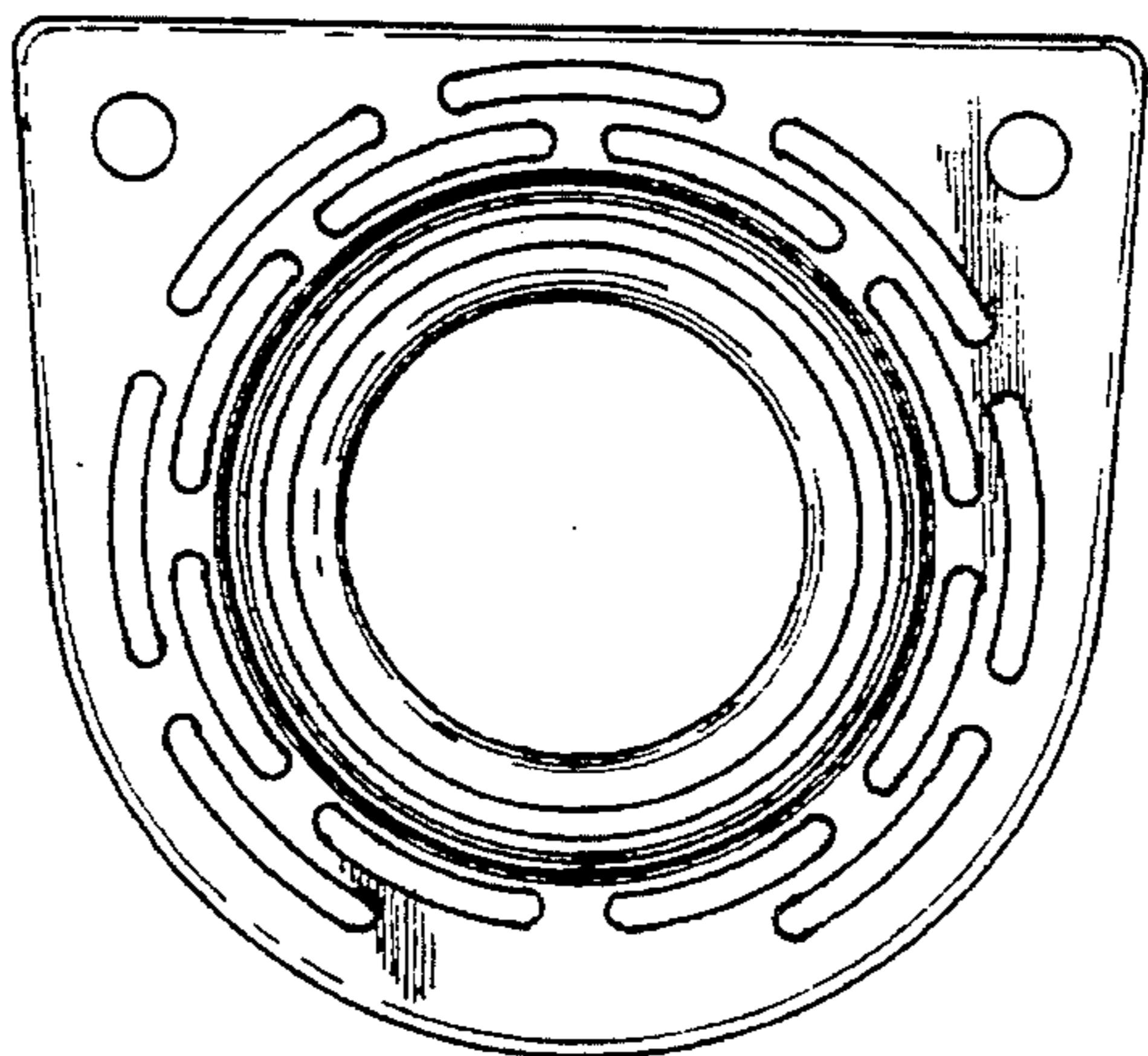
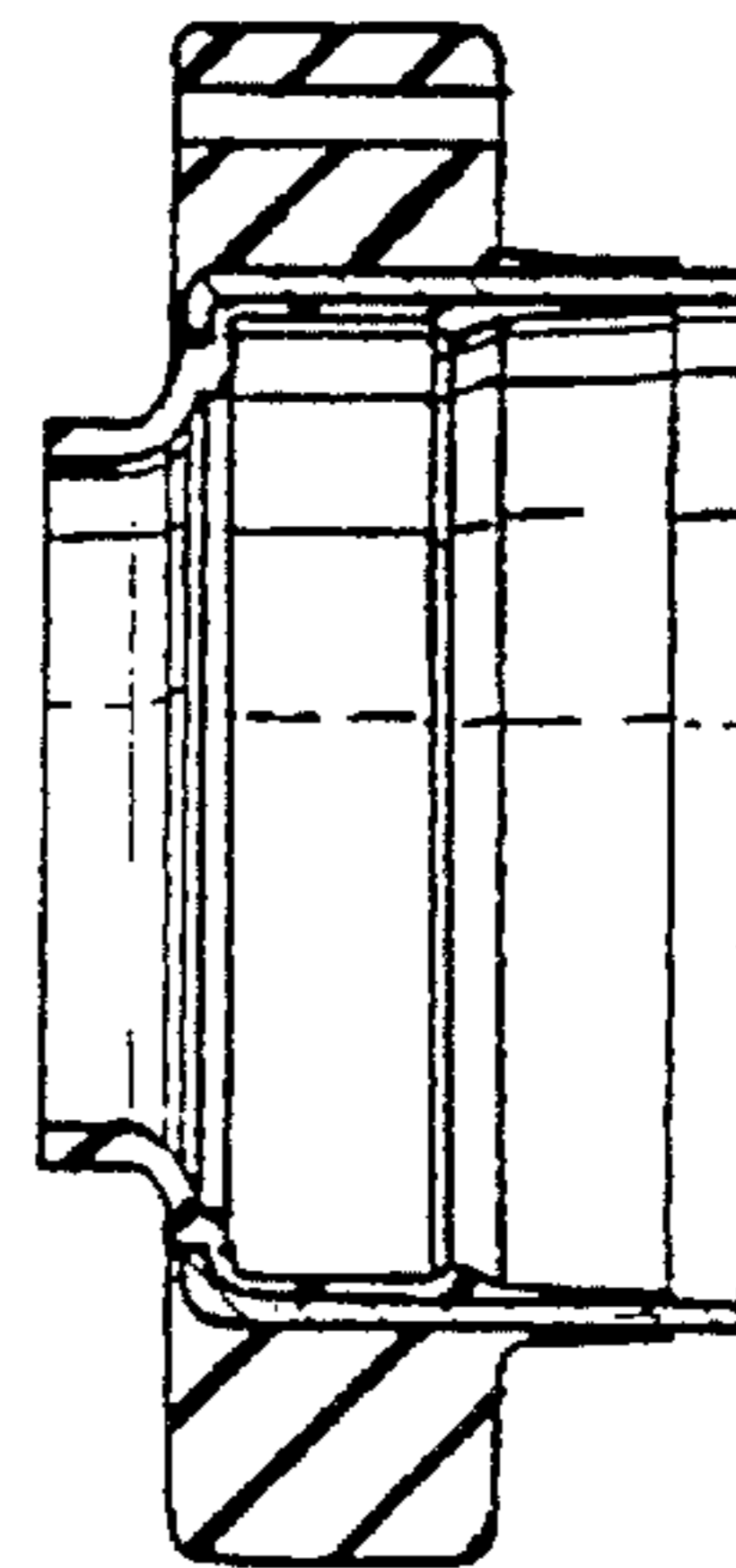
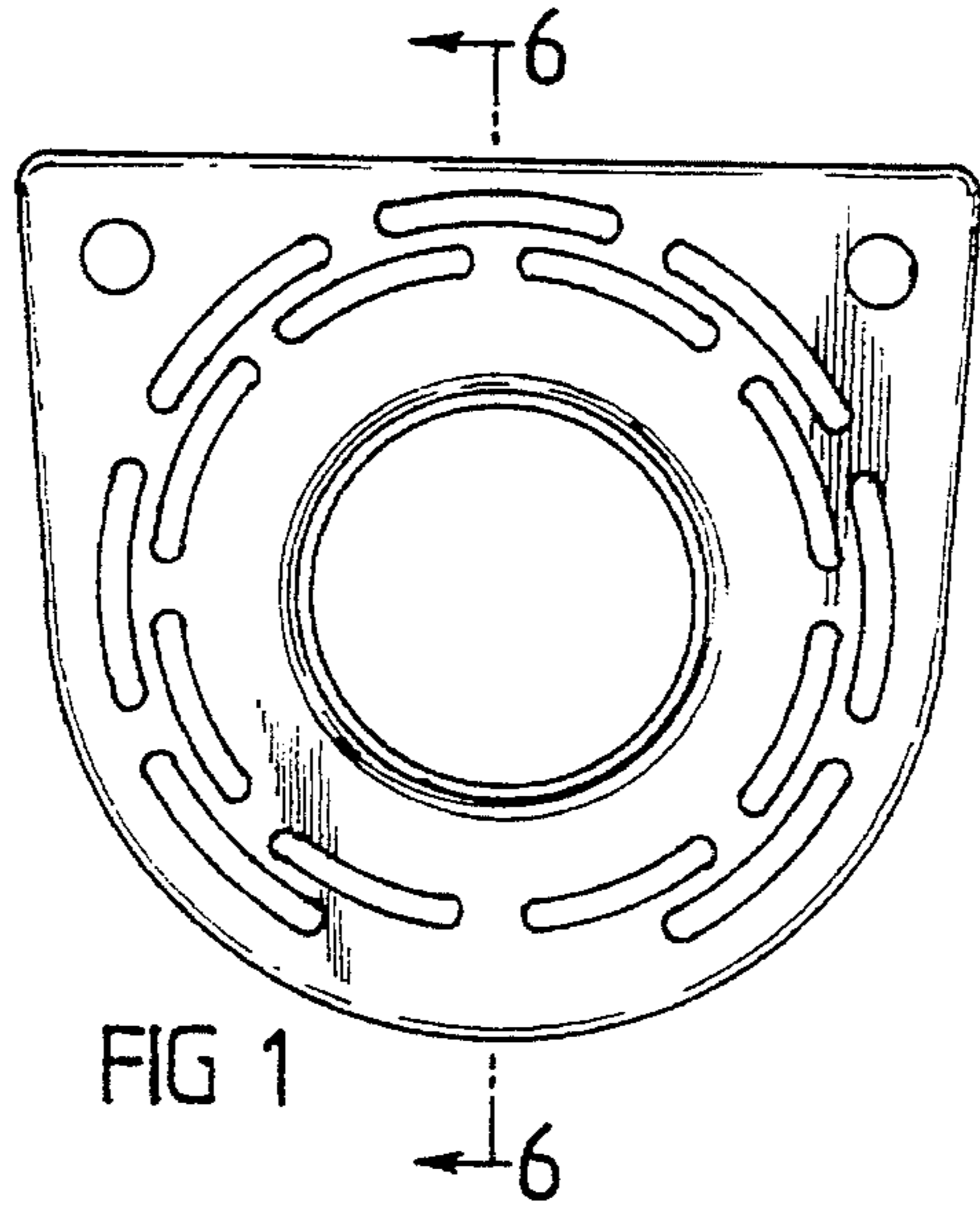
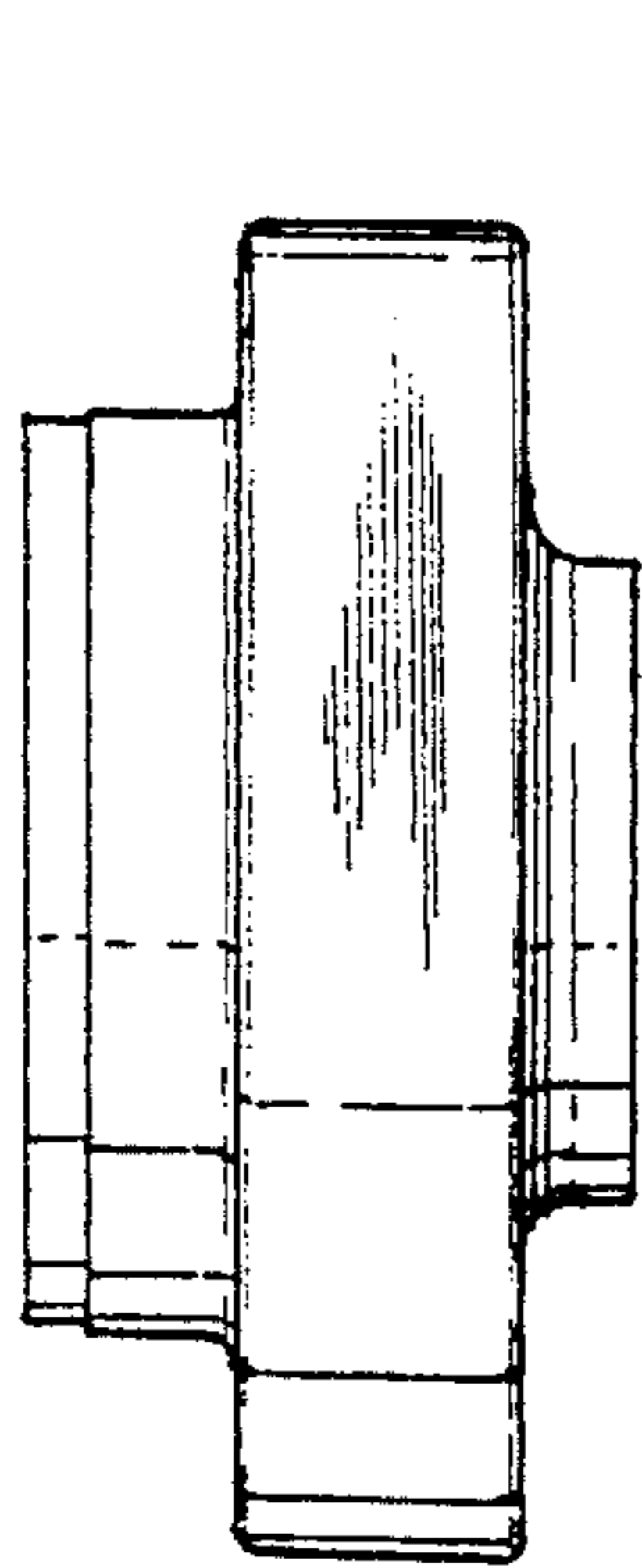
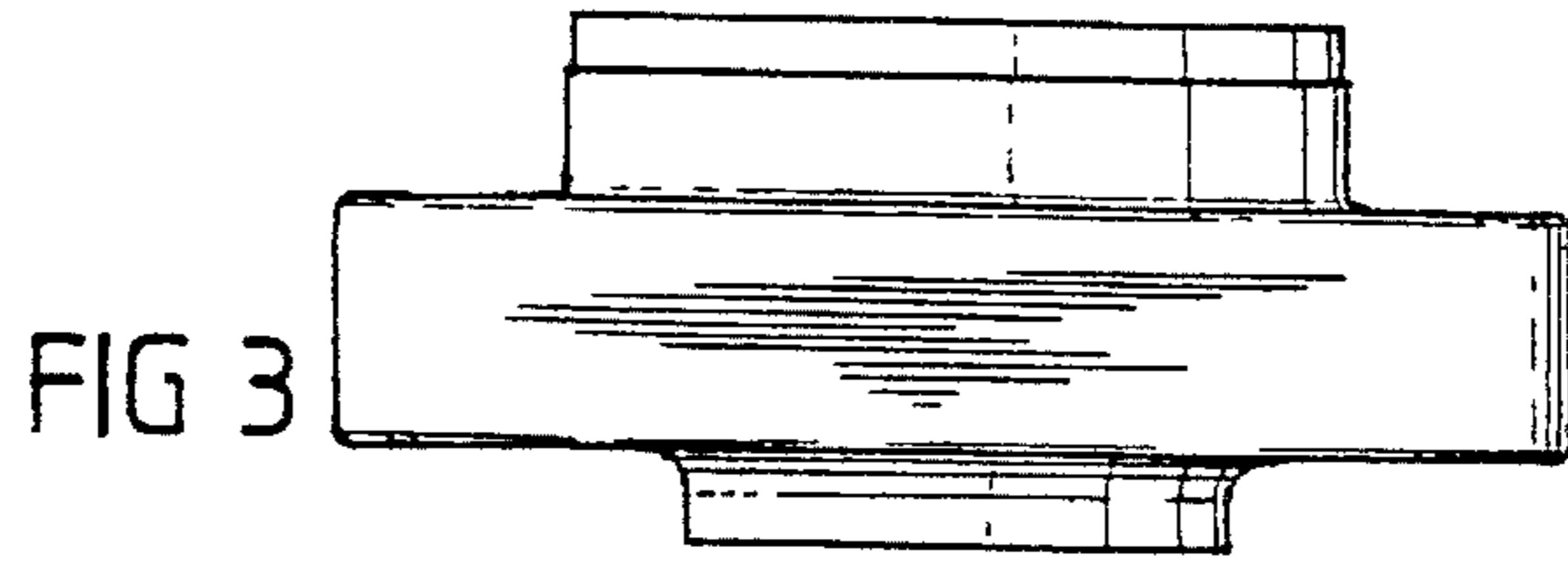


FIG 4