



US00D372661S

# United States Patent [19]

[11] Patent Number: **Des. 372,661**

Lucas

[45] Date of Patent: **\*\*Aug. 13, 1996**

[54] **ESCUTCHEON FOR A KEY OPERATED GAS VALVE**

5,481,890 1/1996 Millman ..... 292/357 X

[75] Inventor: **Robert V. Lucas**, Alpharetta, Ga.

*Primary Examiner*—Terry A. Wallace  
*Attorney, Agent, or Firm*—Veal & Marsh

[73] Assignee: **Delta Somoza, Inc.**, Atlanta, Ga.

[57] **CLAIM**

[\*\*] Term: **14 Years**

The ornamental design for an escutcheon for a key operated gas valve, as shown and described.

[21] Appl. No.: **34,789**

**DESCRIPTION**

[22] Filed: **Feb. 13, 1995**

[52] U.S. Cl. .... **D8/352**

[58] Field of Search ..... D8/352; 126/512;  
220/241; 251/356; 292/357

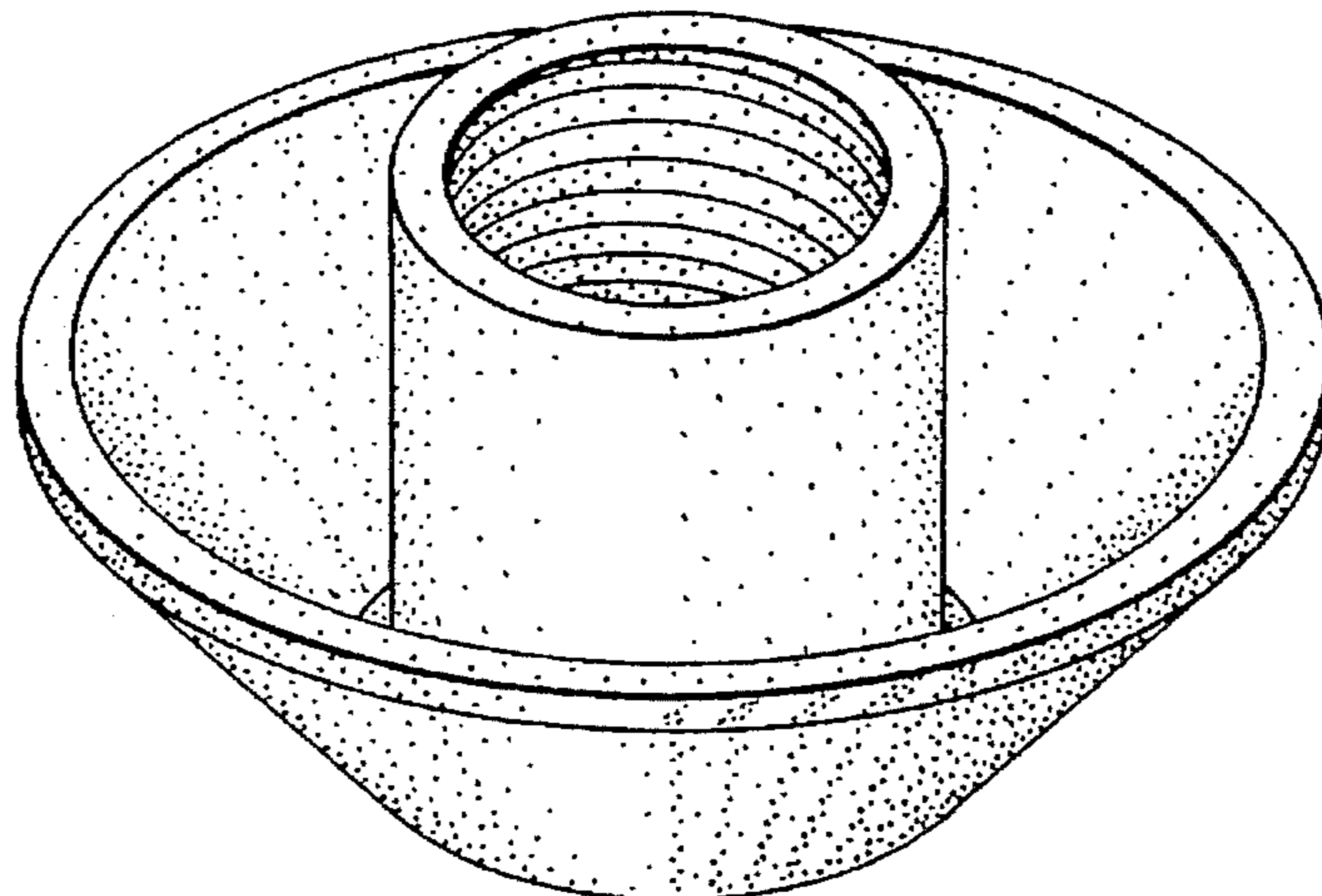
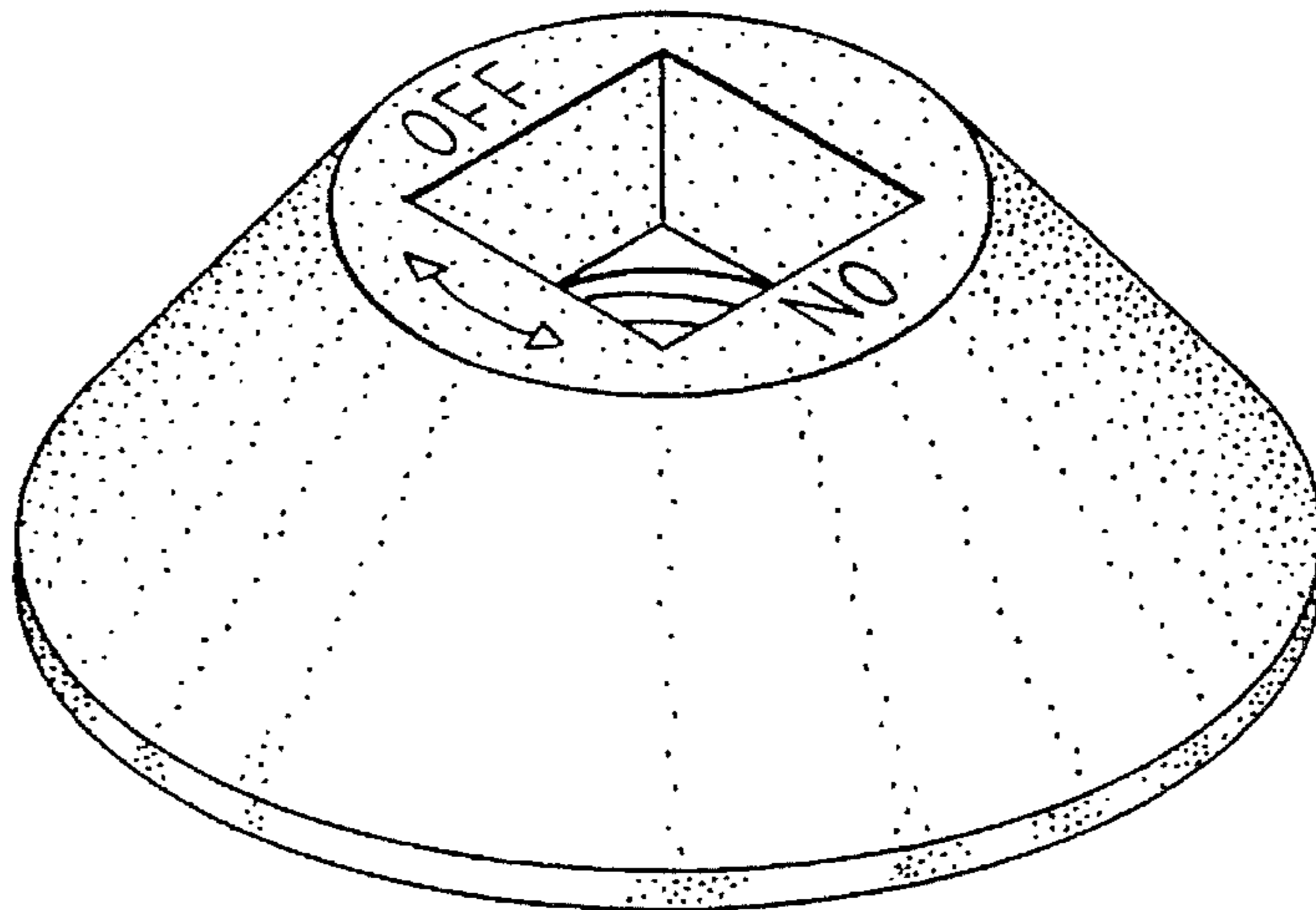
FIG. 1 is a top perspective view of an escutcheon for a key operated gas valve showing my new design; FIG. 2 is a bottom perspective view thereof; FIG. 3 is a top plan view thereof; FIG. 4 is a bottom view thereof; FIG. 5 is a side elevational view thereof; FIG. 6 is a sectional view taken along line 6—6 of FIG. 3; and, FIG. 7 is a side elevational view showing a gas valve and operating key therefore in broken lines illustrating environmental structure.

[56] **References Cited**

**U.S. PATENT DOCUMENTS**

1,768,830	7/1930	Dansereau et al. ....	251/356
2,285,533	6/1942	Roof .....	251/356 X
3,994,255	11/1976	Thompson .....	251/356
4,223,929	9/1980	Lint .....	292/357 X
5,295,279	3/1994	Cooper .....	D8/352 X

**1 Claim, 2 Drawing Sheets**



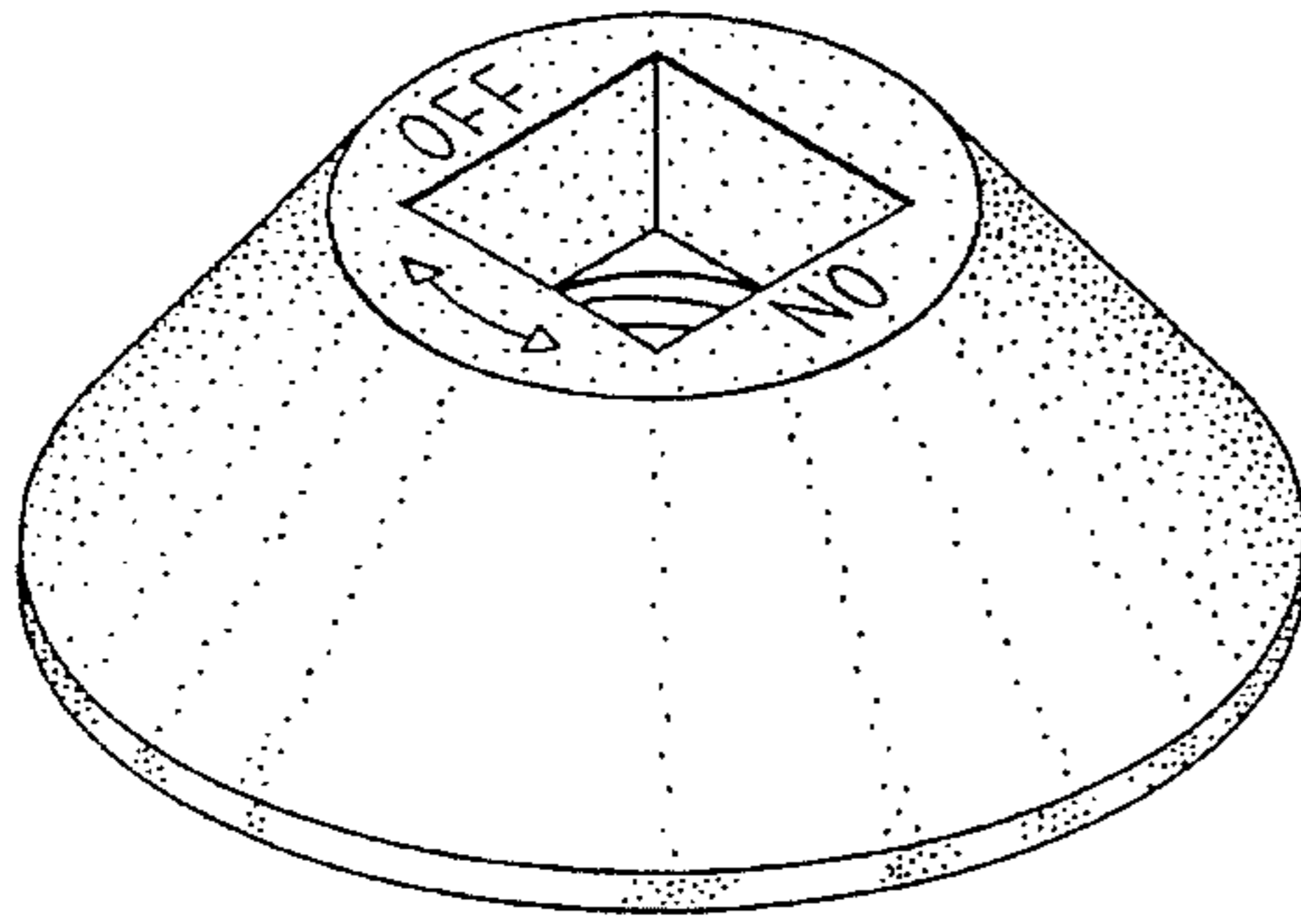


FIG. 1

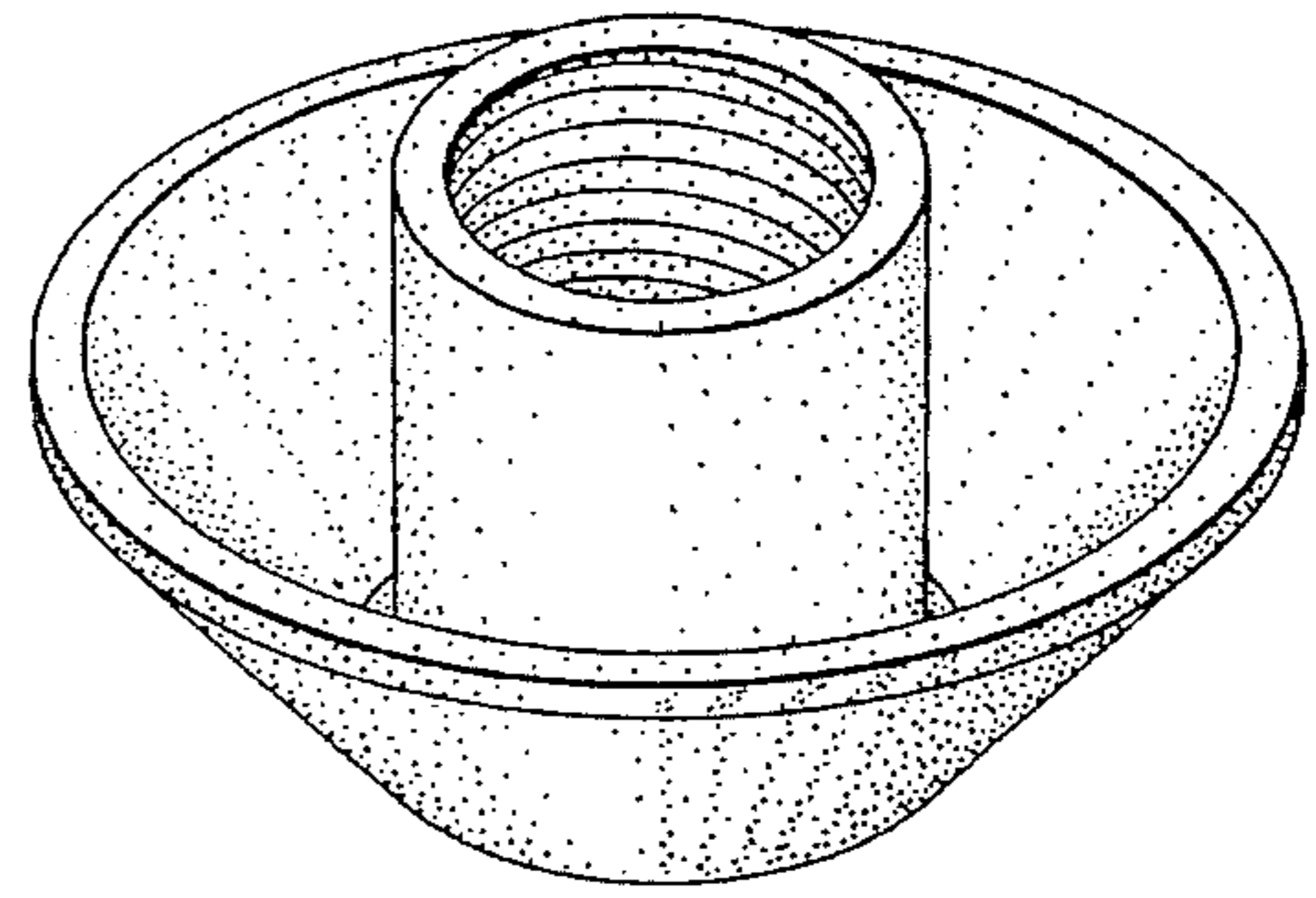


FIG. 2

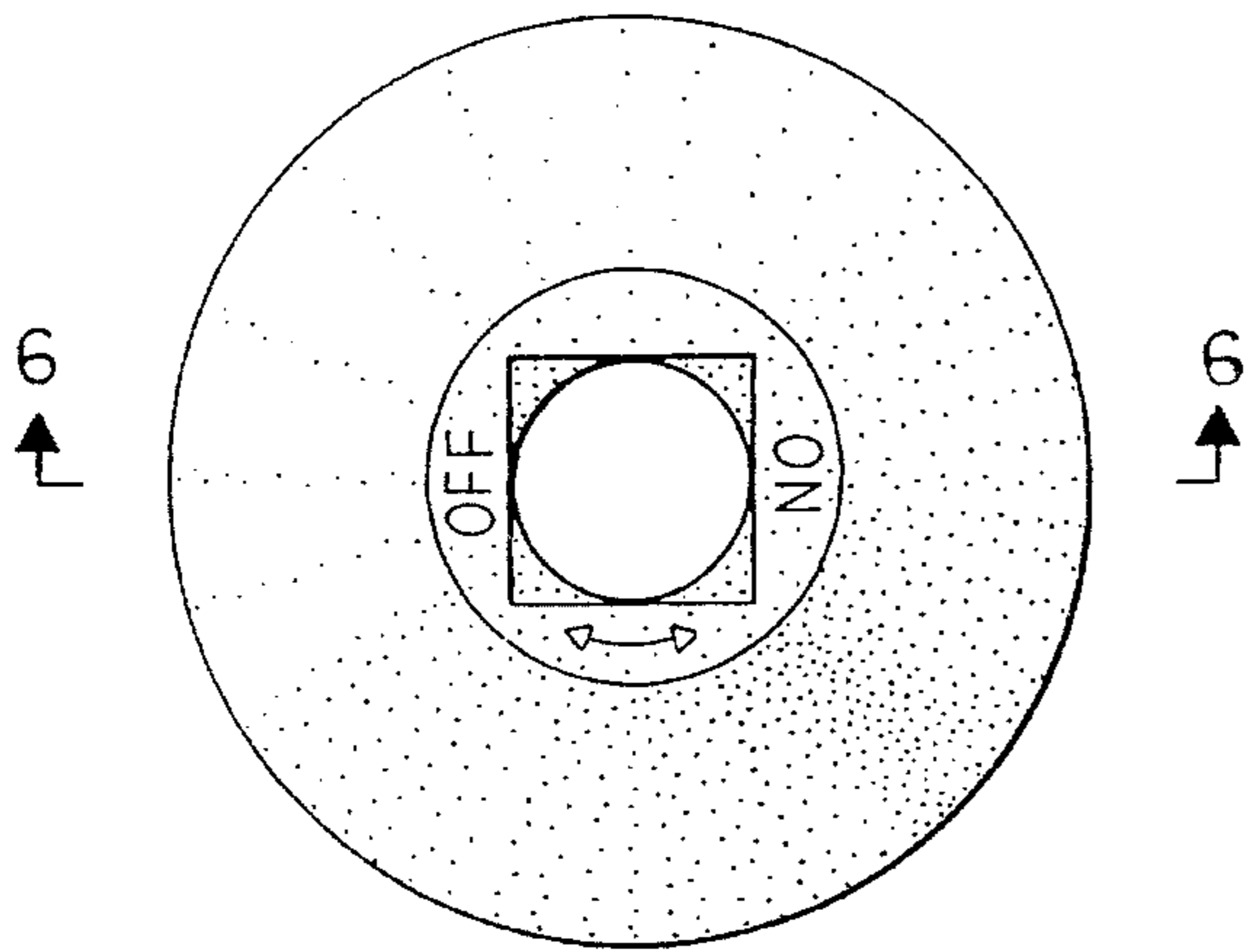


FIG. 3

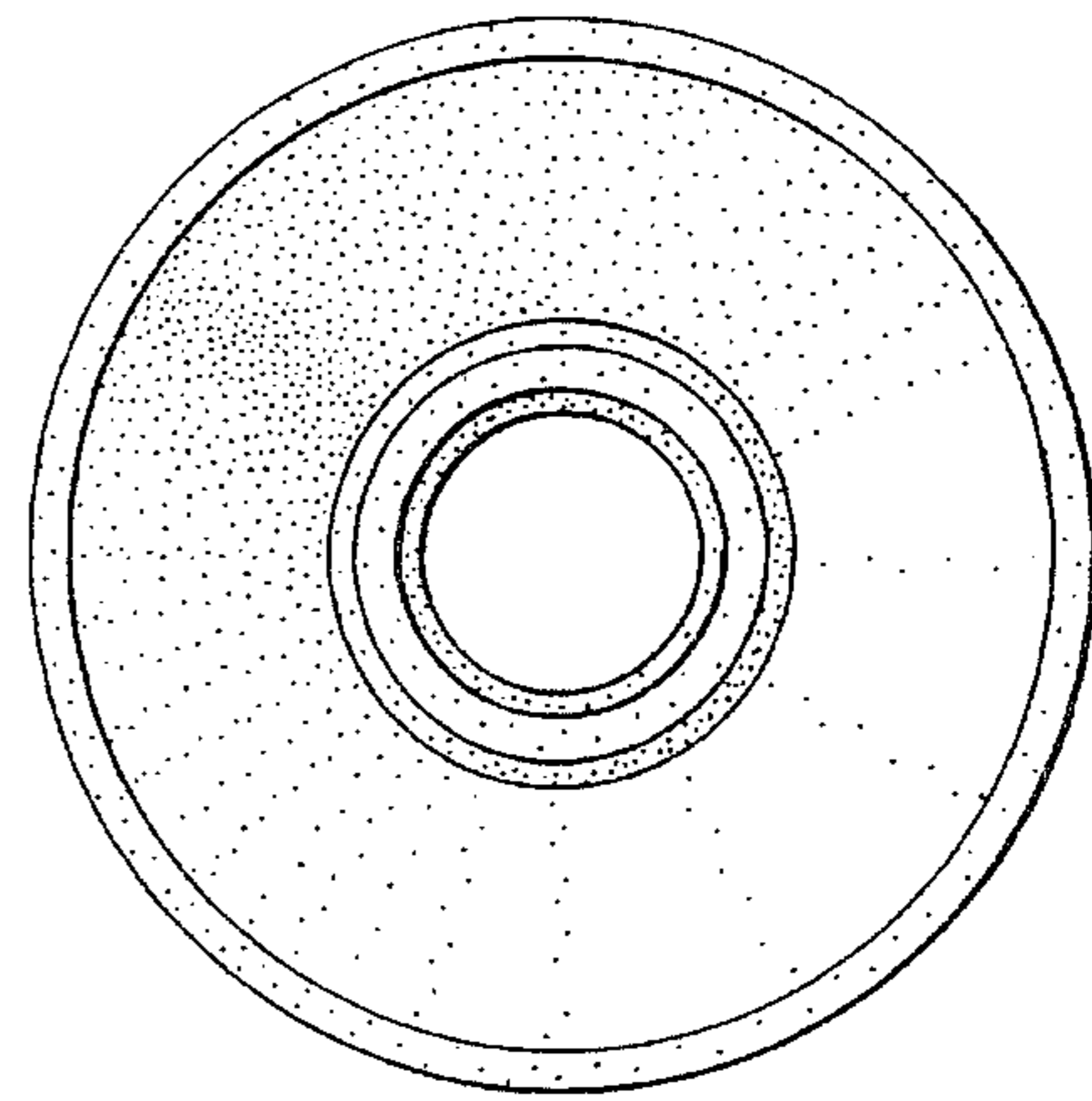


FIG. 4

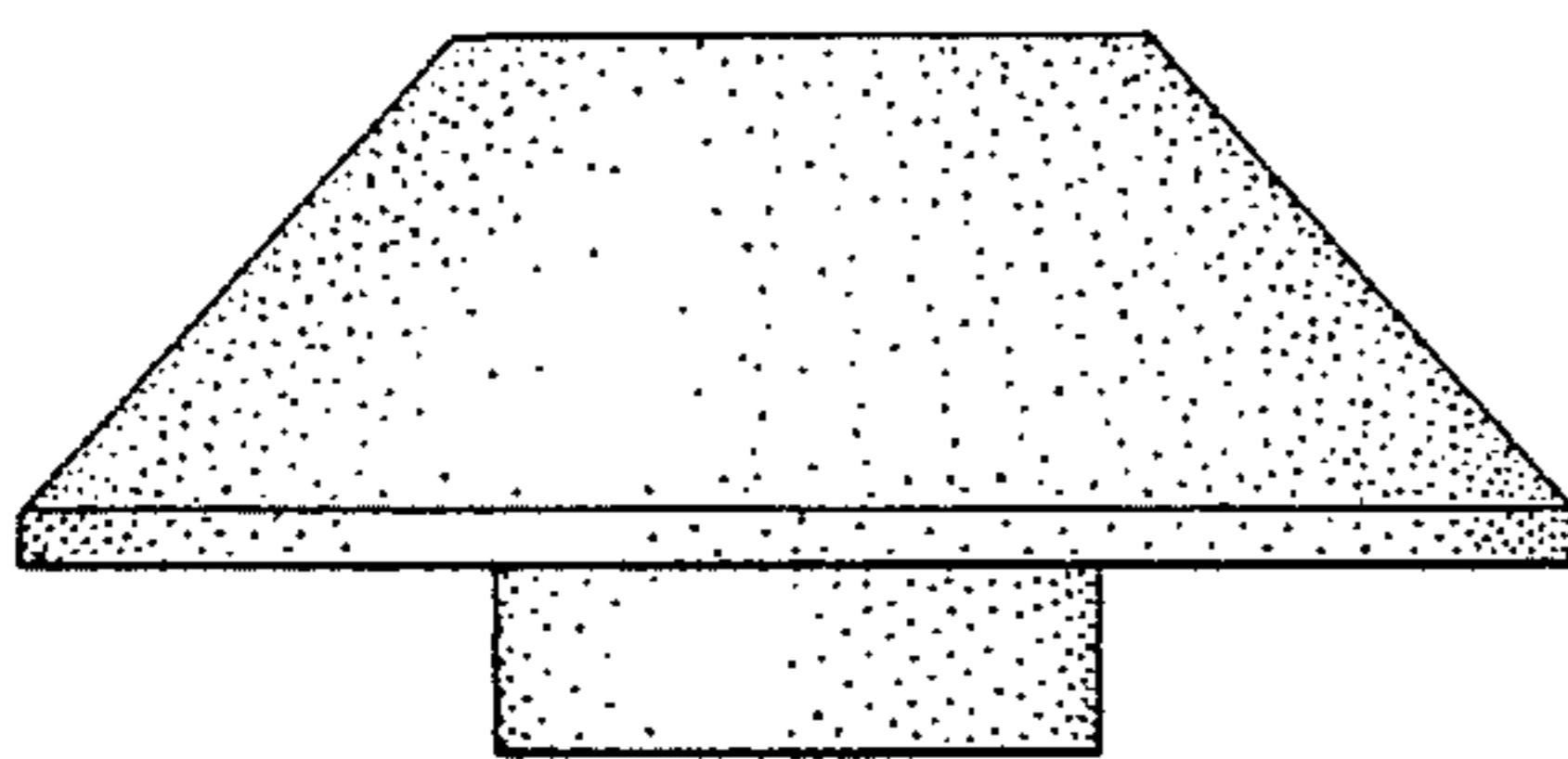


FIG. 5

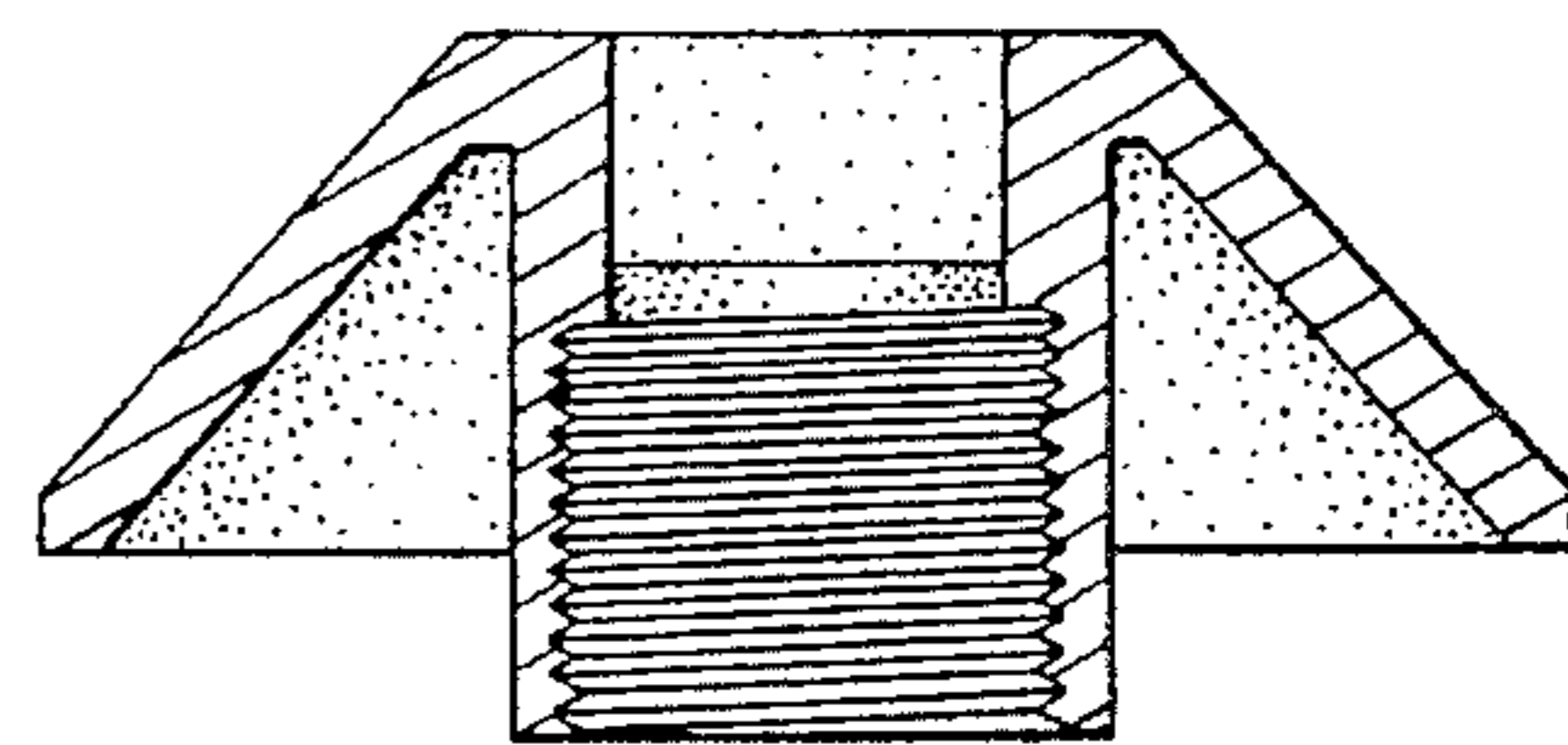


FIG. 6

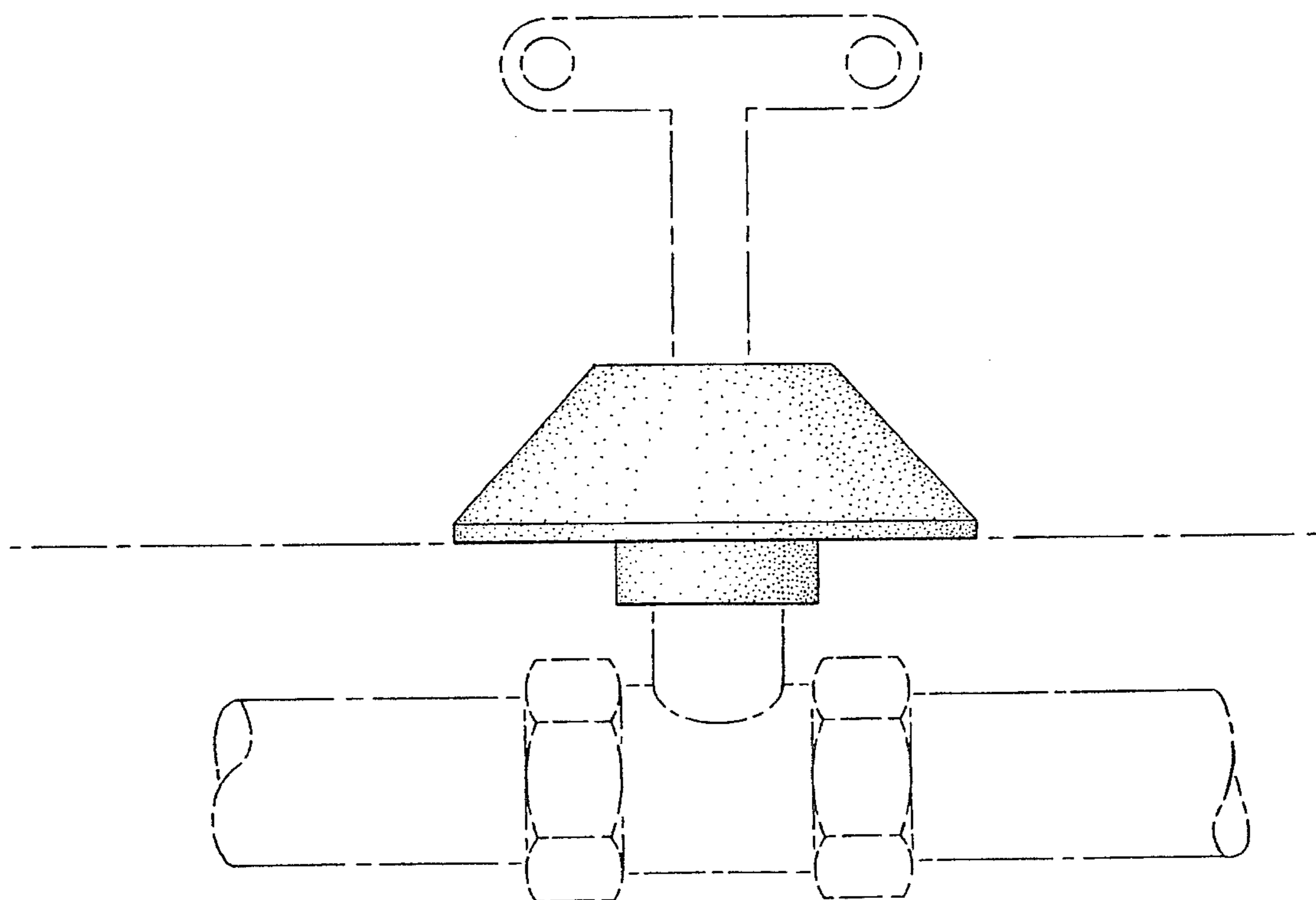


FIG. 7