



US00D372659S

United States Patent [19]

De'Armond

[11] Patent Number: **Des. 372,659**

[45] Date of Patent: ****Aug. 13, 1996**

[54] PULL

[75] Inventor: **Robert De'Armond**, Celina, Ohio

[73] Assignee: **Newell Operating Company**, Freeport, Ill.

[**] Term: **14 Years**

[21] Appl. No.: **41,912**

[22] Filed: **Jul. 26, 1995**

[52] U.S. Cl. **D8/317**

[58] Field of Search D8/300, 315-320, D8/307; 16/110 R, 124, 125

[56] **References Cited**

U.S. PATENT DOCUMENTS

D. 184,362	2/1959	Loeb	D8/319
D. 191,500	10/1961	Caminker et al.	D8/318
D. 193,545	9/1962	Caminker et al.	D8/307
D. 197,212	12/1963	Clayton	D8/307
D. 343,107	1/1994	Fulton	D8/315

OTHER PUBLICATIONS

National Lock-Cabinet hardware Cat.; p. 21; pull V6800-3.

Primary Examiner—B. J. Bullock
Attorney, Agent, or Firm—Foley & Lardner

[57] **CLAIM**

The ornamental design for a pull, as shown and described.

DESCRIPTION

FIG. 1 is a perspective view of a pull showing my new design;

FIG. 2 is a right side view thereof, the left side view being a mirror image of the right side view shown;

FIG. 3 is a front plan view thereof;

FIG. 4 is a top view thereof, the bottom view being a mirror image of the top view shown; and,

FIG. 5 is a rear view thereof.

The fastener apertures depicted in broken lines in FIG. 5 are shown for illustrative purposes only and form no part of the claimed subject matter.

1 Claim, 1 Drawing Sheet

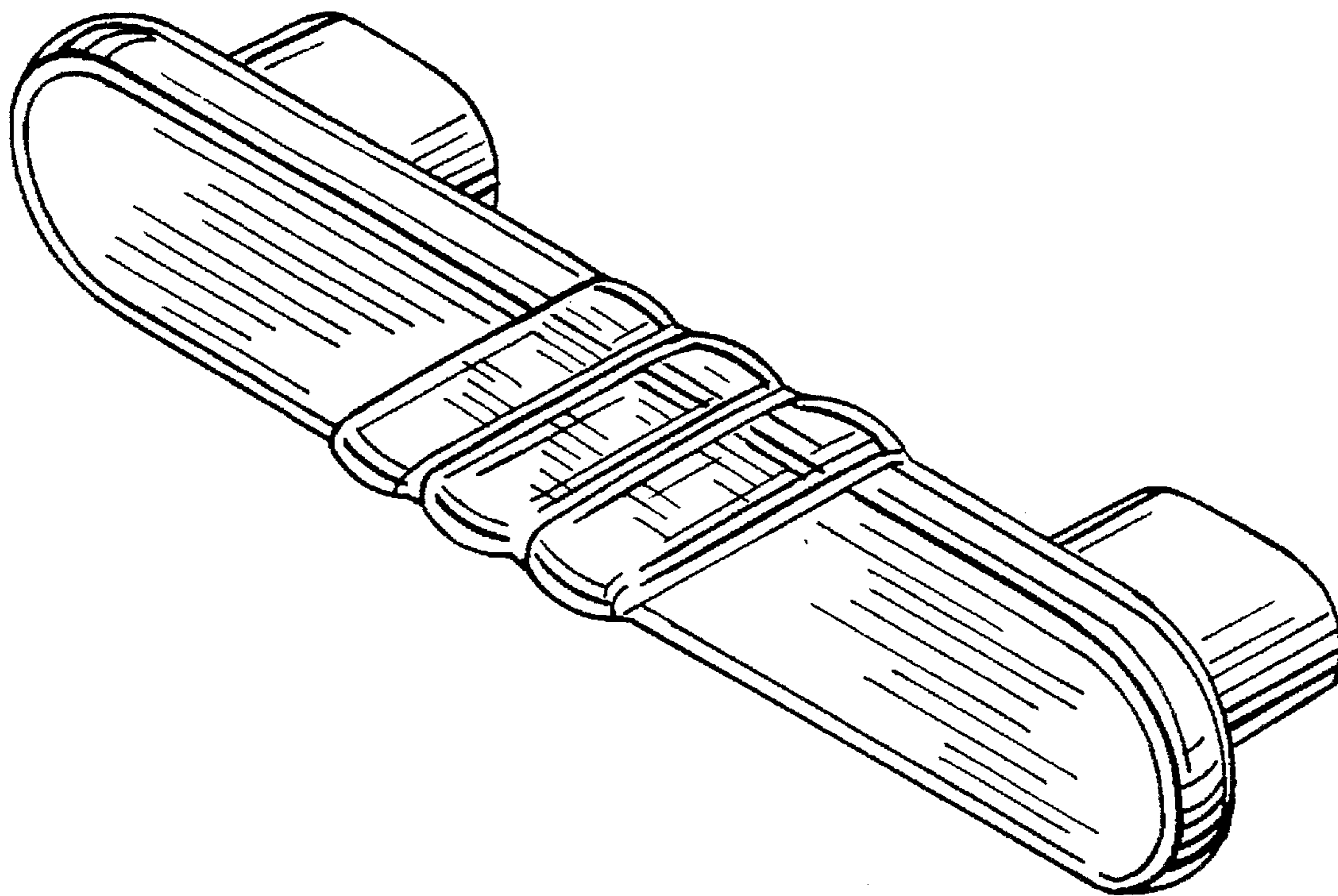


FIG. 1

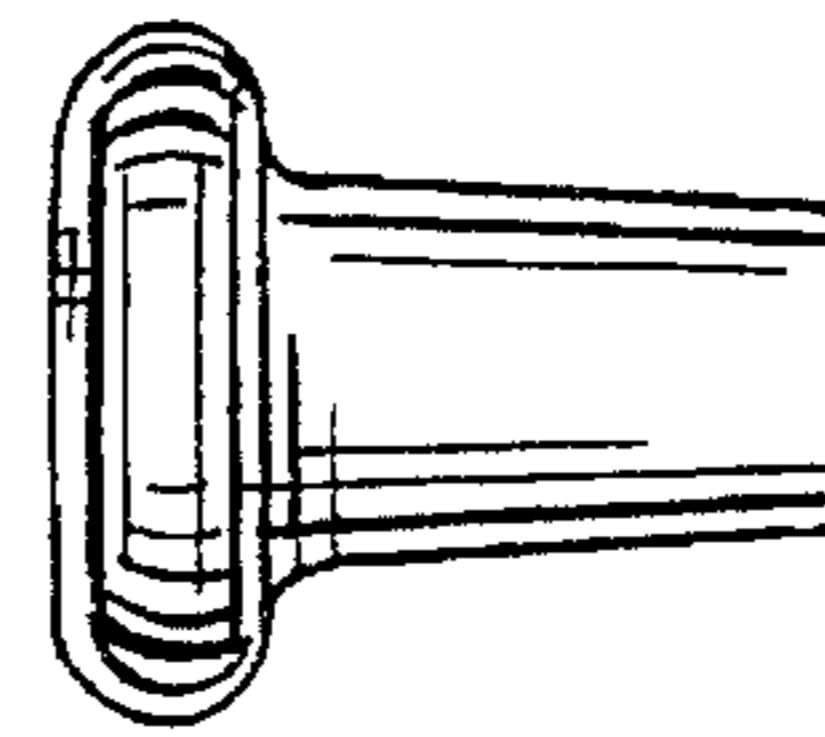
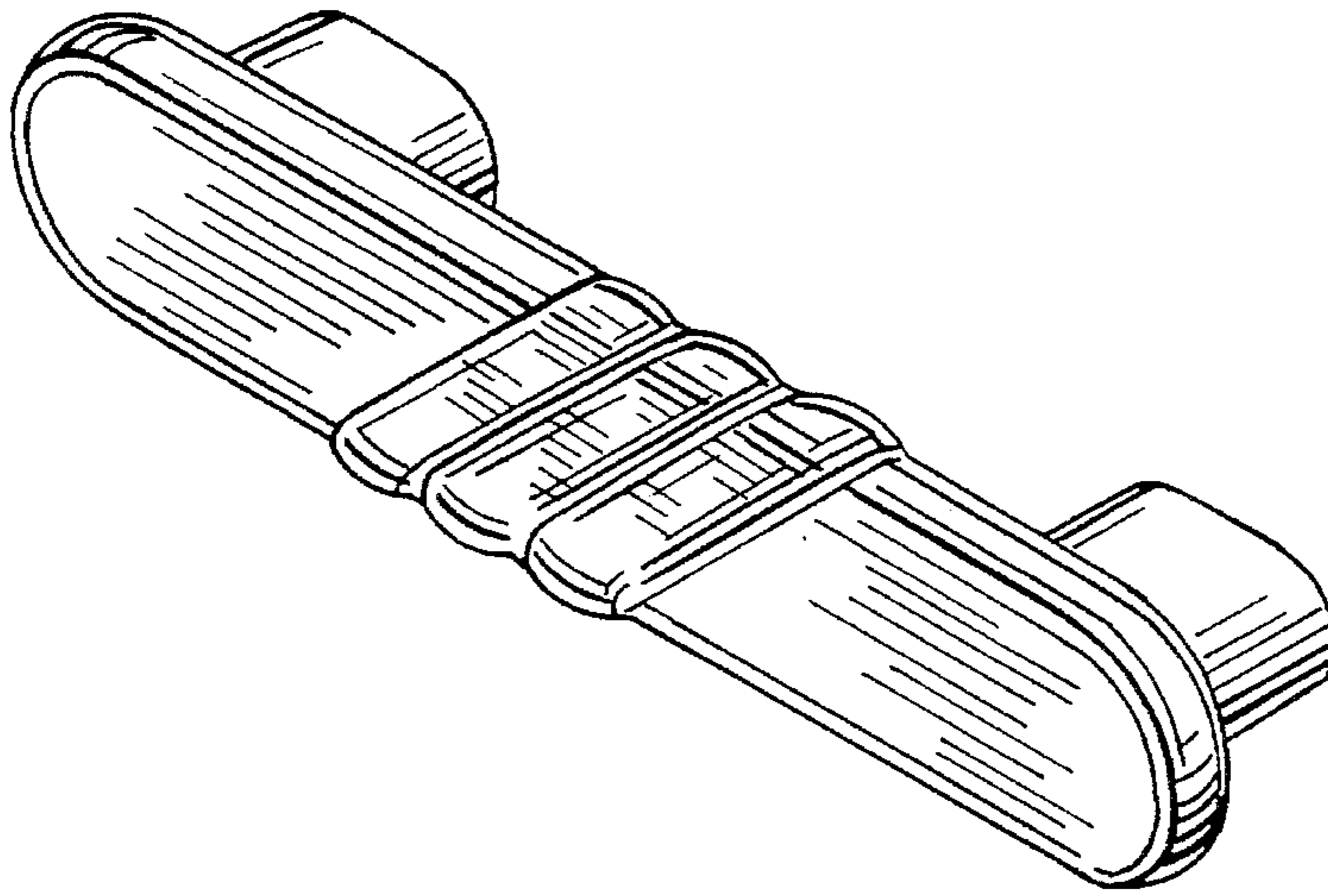


FIG. 2

FIG. 3

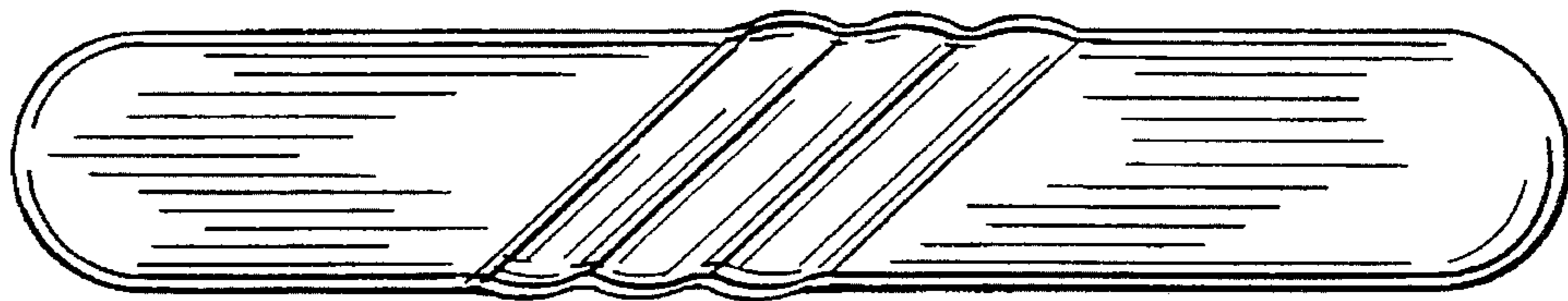


FIG. 4

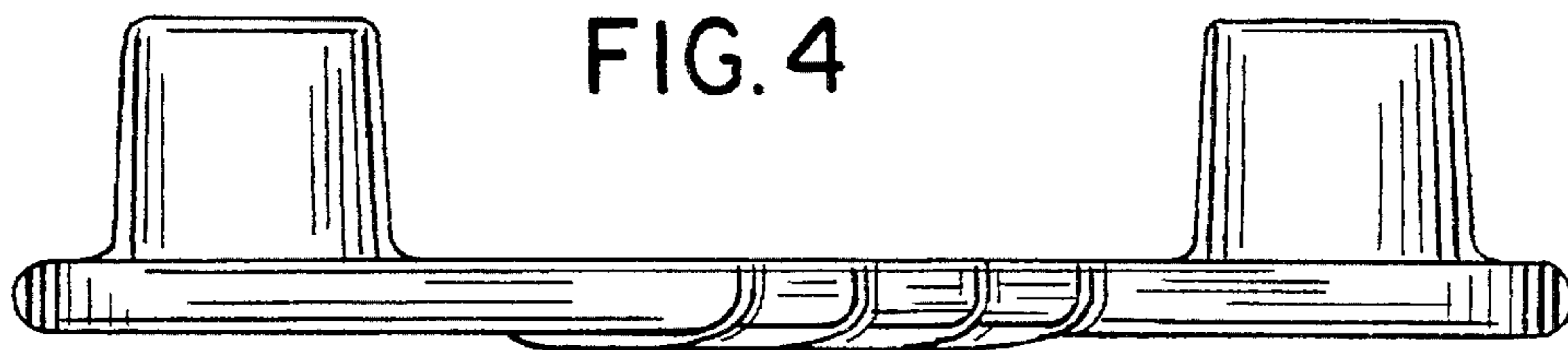


FIG. 5

