



US00D372654S

United States Patent [19]

Baranowski, Jr.

[11] Patent Number: **Des. 372,654**

[45] Date of Patent: ****Aug. 13, 1996**

[54] DOUBLE-BARREL PROPANE TORCH

[75] Inventor: **Frank Baranowski, Jr.**, Lynnfield, Mass.

[73] Assignee: **General Regulator, Inc.**, Lynnfield, Mass.

[**] Term: **14 Years**

[21] Appl. No.: **34,163**

[22] Filed: **Jan. 27, 1995**

[52] U.S. Cl. **D8/30**

[58] Field of Search D8/30; D15/144.2; 431/263, 264, 265, 266, 345, 353, 354

[56] References Cited

U.S. PATENT DOCUMENTS

D. 224,505	8/1972	Baranowski, Jr.	D8/30
D. 227,337	6/1973	Bowman	D8/30
D. 263,790	4/1982	Baranowski, Jr.	D8/30
D. 264,301	5/1982	Miller	D8/30
D. 273,933	5/1984	Royston	D8/30
3,198,239	8/1965	Webster	451/353
3,768,962	10/1973	Baranowski, Jr.	431/354
4,348,172	9/1982	Miller	431/345

OTHER PUBLICATIONS

Advertising circular for Crosstech Torch Model 2100, General Regulator, Inc.

Primary Examiner—B. J. Bullock

Assistant Examiner—Robert M. Spear

Attorney, Agent, or Firm—Iandiorio & Teska

[57] CLAIM

The ornamental design for a double-barrel propane torch, as shown and described.

DESCRIPTION

FIG. 1 is a top, left, rear perspective view of a propane torch according to my invention;

FIG. 2 is a left side elevational view of the torch of FIG. 1;

FIG. 3 is a top plan view of the torch of FIG. 1;

FIG. 4 is a front elevational view of the torch of FIG. 1;

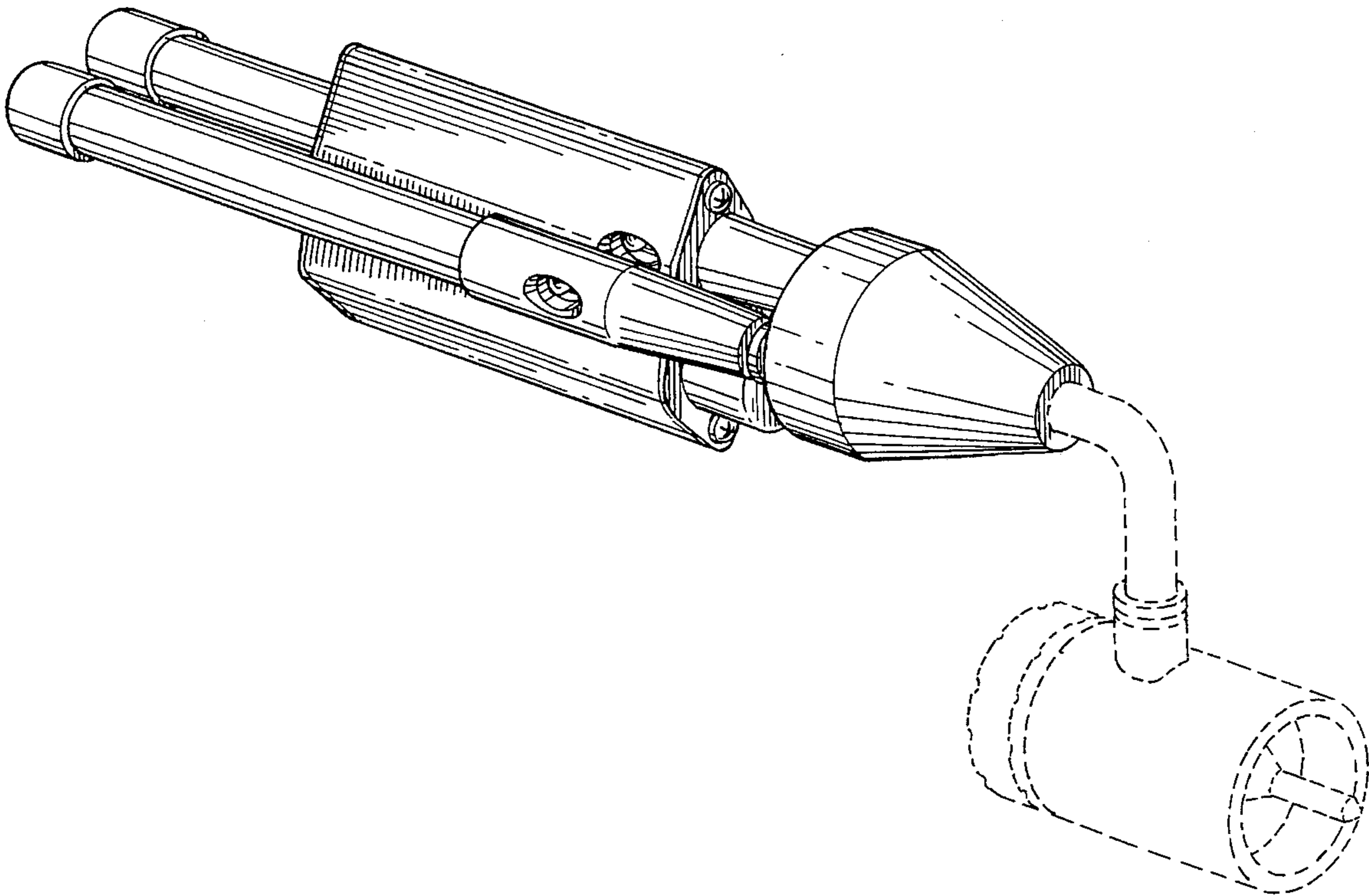
FIG. 5 is a rear elevational view of the torch of FIG. 1;

FIG. 6 is a right side view of the torch of FIG. 1; and,

FIG. 7 is a bottom plan view of the torch of FIG. 1.

The broken line showing of a pressure regulator is for illustrative purposes only and forms no part of the claimed design.

1 Claim, 3 Drawing Sheets



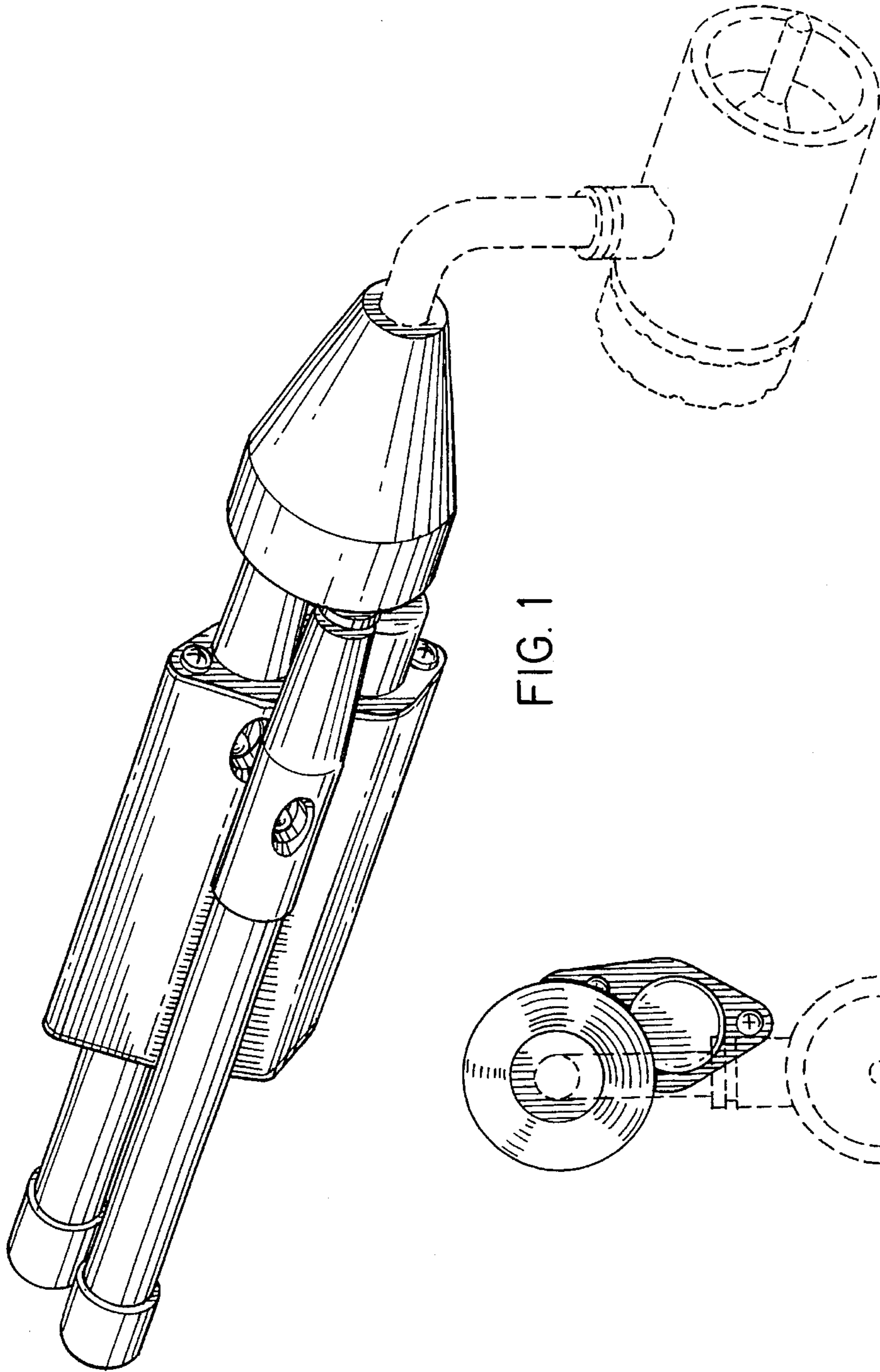


FIG. 1

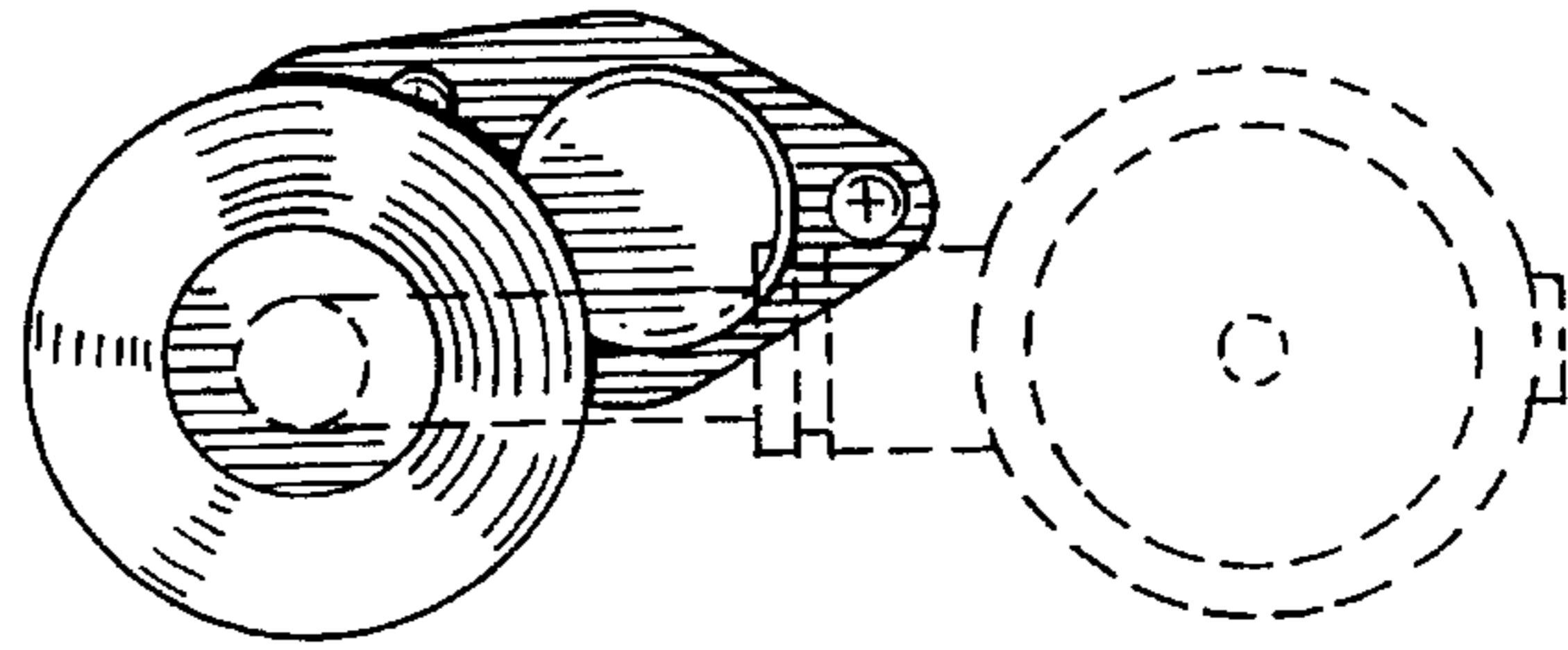


FIG. 5

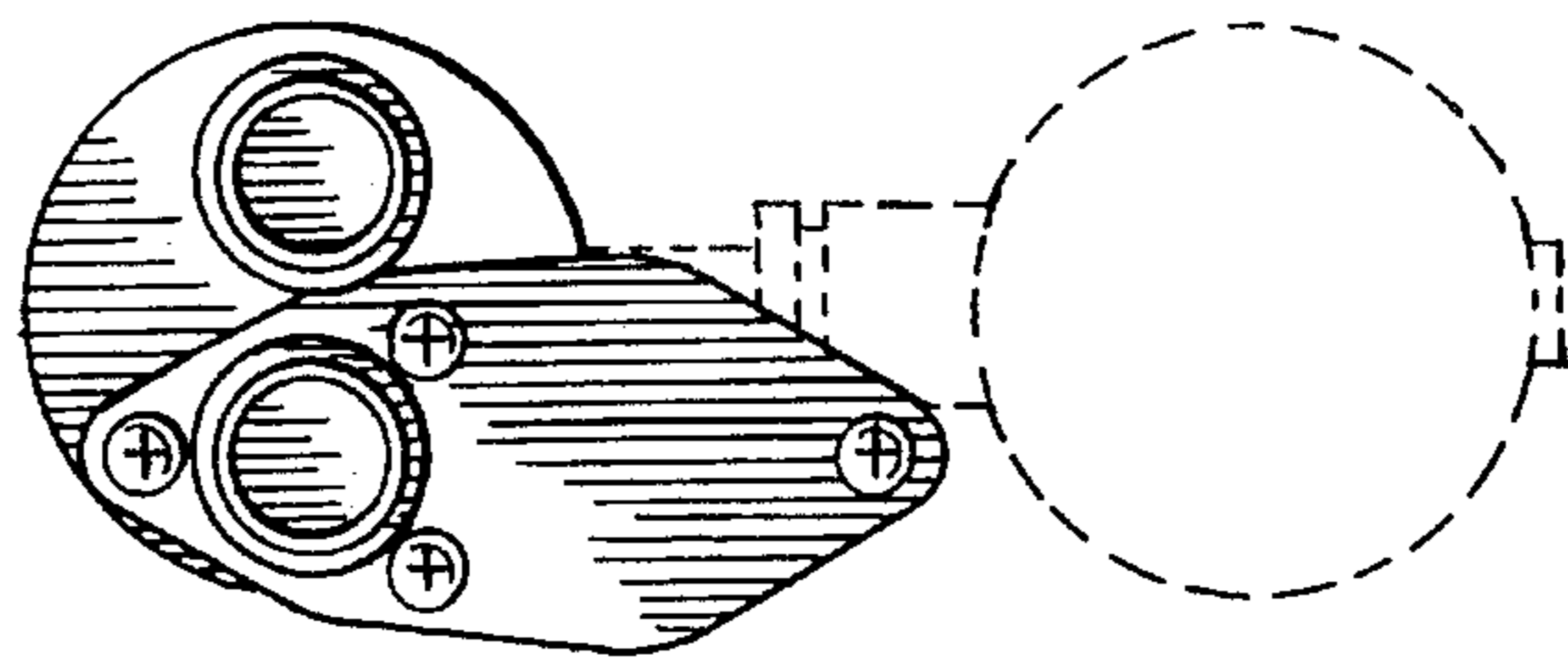


FIG. 4

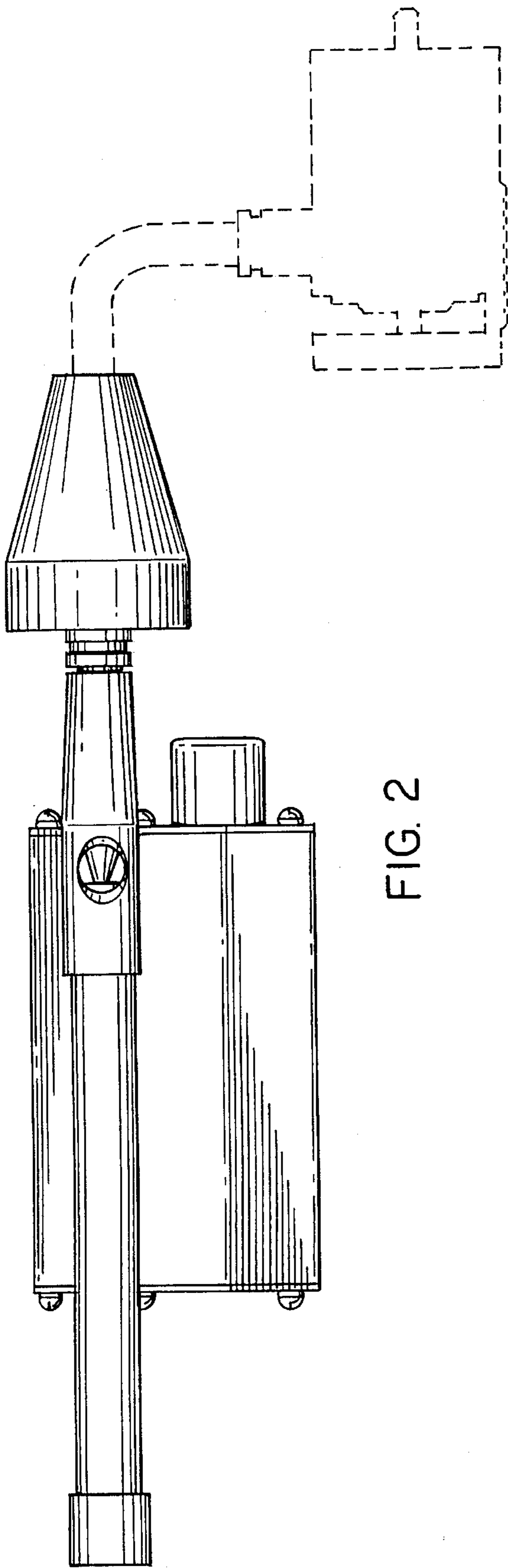


FIG. 2

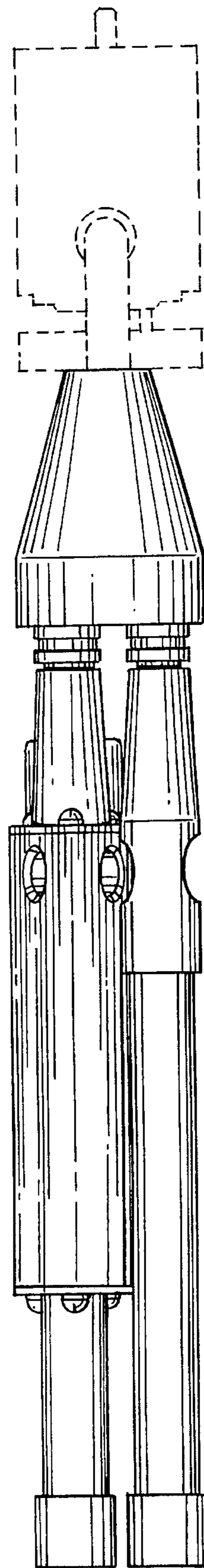


FIG. 3

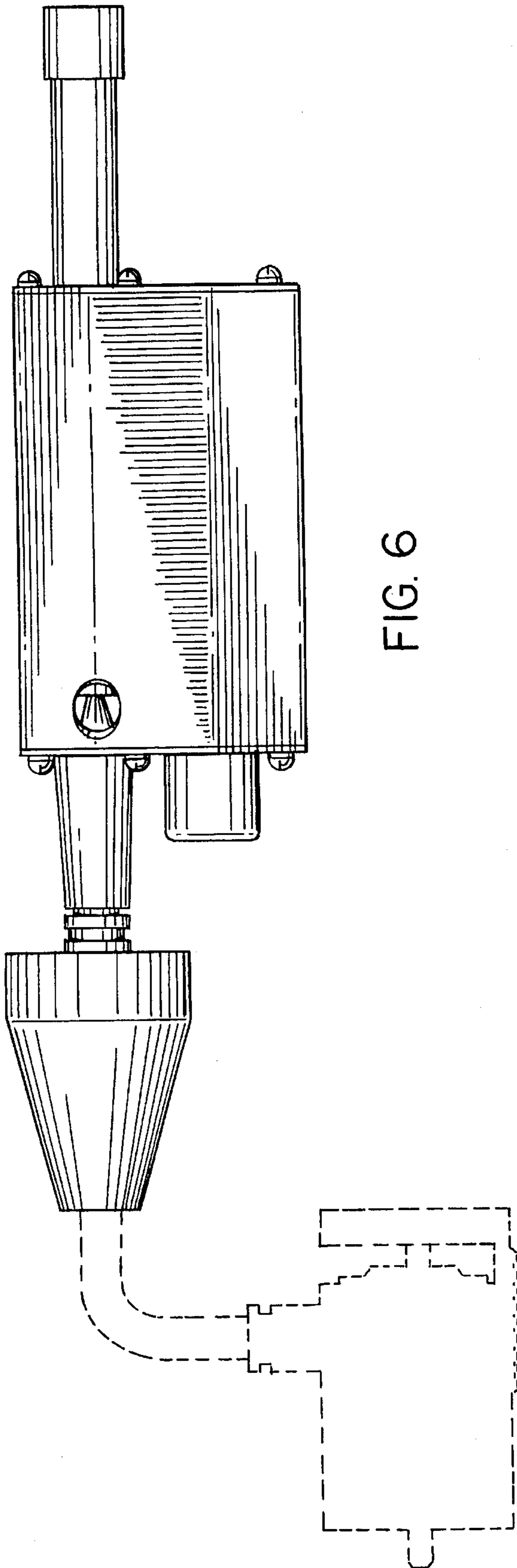


FIG. 6

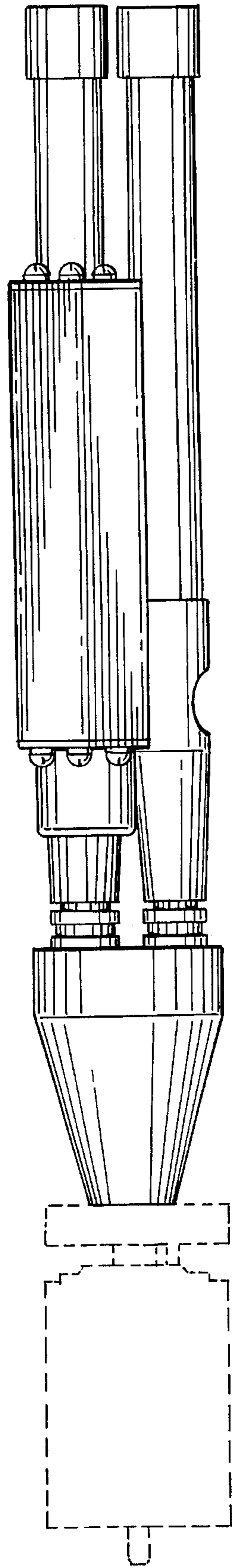


FIG. 7