



US00D372651S

United States Patent [19]

[11] **Patent Number: Des. 372,651**

Bush

[45] **Date of Patent: **Aug. 13, 1996**

[54] **MODEL BUILDING IMPLEMENT**

Assistant Examiner—Richelle Shelton

[76] **Inventor: Joseph Bush**, 5125 E. Lane Ave., Apt. 114, Freano, Calif. 93727

Attorney, Agent, or Firm—Harold H. Dutton, Jr.; W. Charles L. Jamison; Diane F. Liebman

[**] **Term: 14 Years**

[57] CLAIM

[21] **Appl. No.: 26,942**

The ornamental design for a model building implement, as shown and described.

[22] **Filed: Oct. 7, 1994**

[52] **U.S. Cl. D8/14; D19/41**

[58] **Field of Search D8/14; D19/42, D19/41; D15/144.2; 401/1; 102/334**

DESCRIPTION

[56] References Cited

FIG. 1 is a front elevational view of a model building implement showing my new design, the rear, right and left side elevational views being identical;

U.S. PATENT DOCUMENTS

D. 18,491	7/1888	Jones	D19/42
D. 258,454	3/1981	Echevarria et al.	D19/42
1,455,842	5/1923	Kelly	401/1

FIG. 2 is a top plan view thereof;

FIG. 3 is a bottom plan view thereof; and,

OTHER PUBLICATIONS

Radio Control Modeler, Jan. 1990, p. 262, Butane Mini-Torch.

FIG. 4 is a perspective view thereof.

Primary Examiner—B. J. Bullock

1 Claim, 3 Drawing Sheets

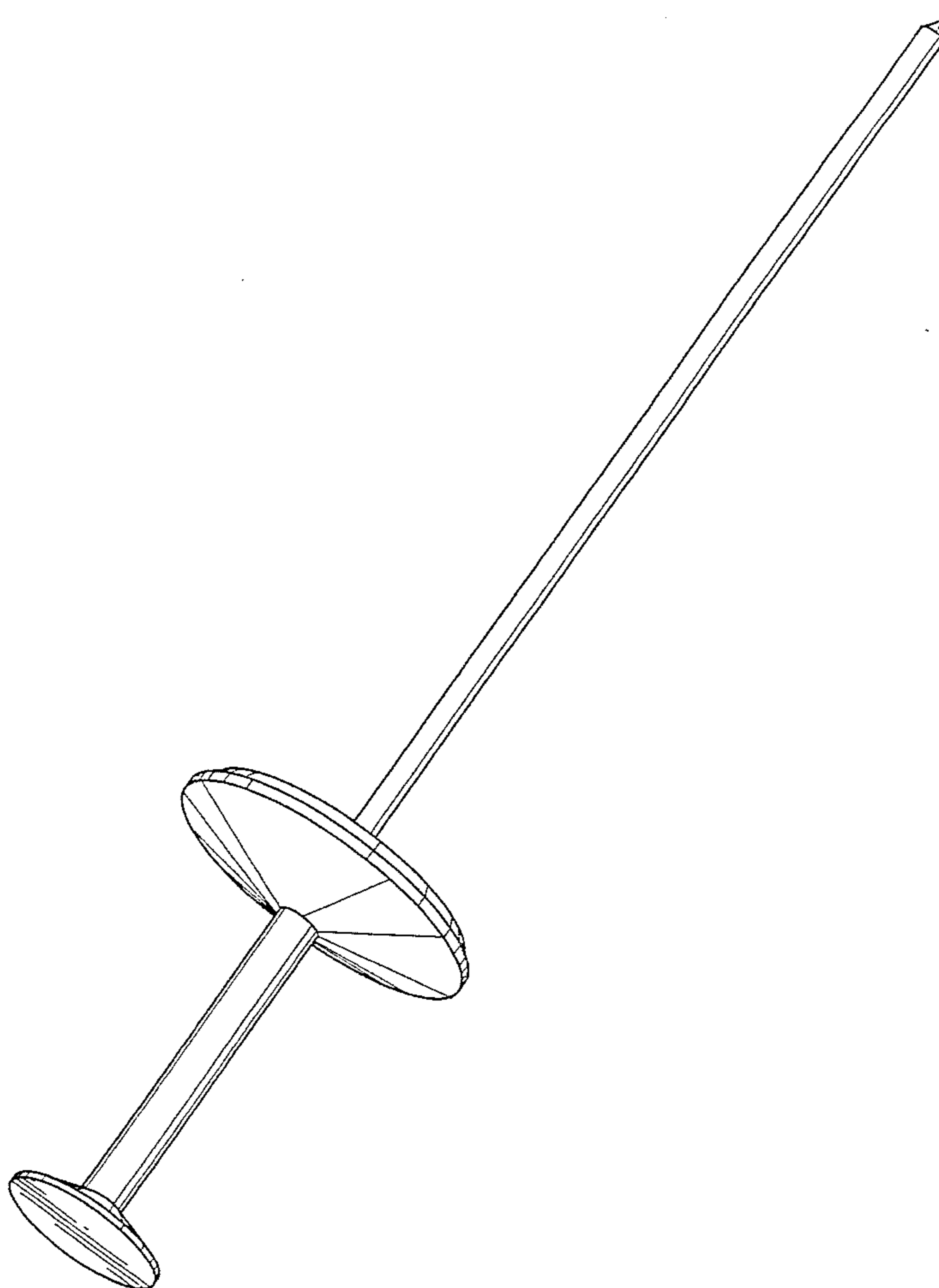
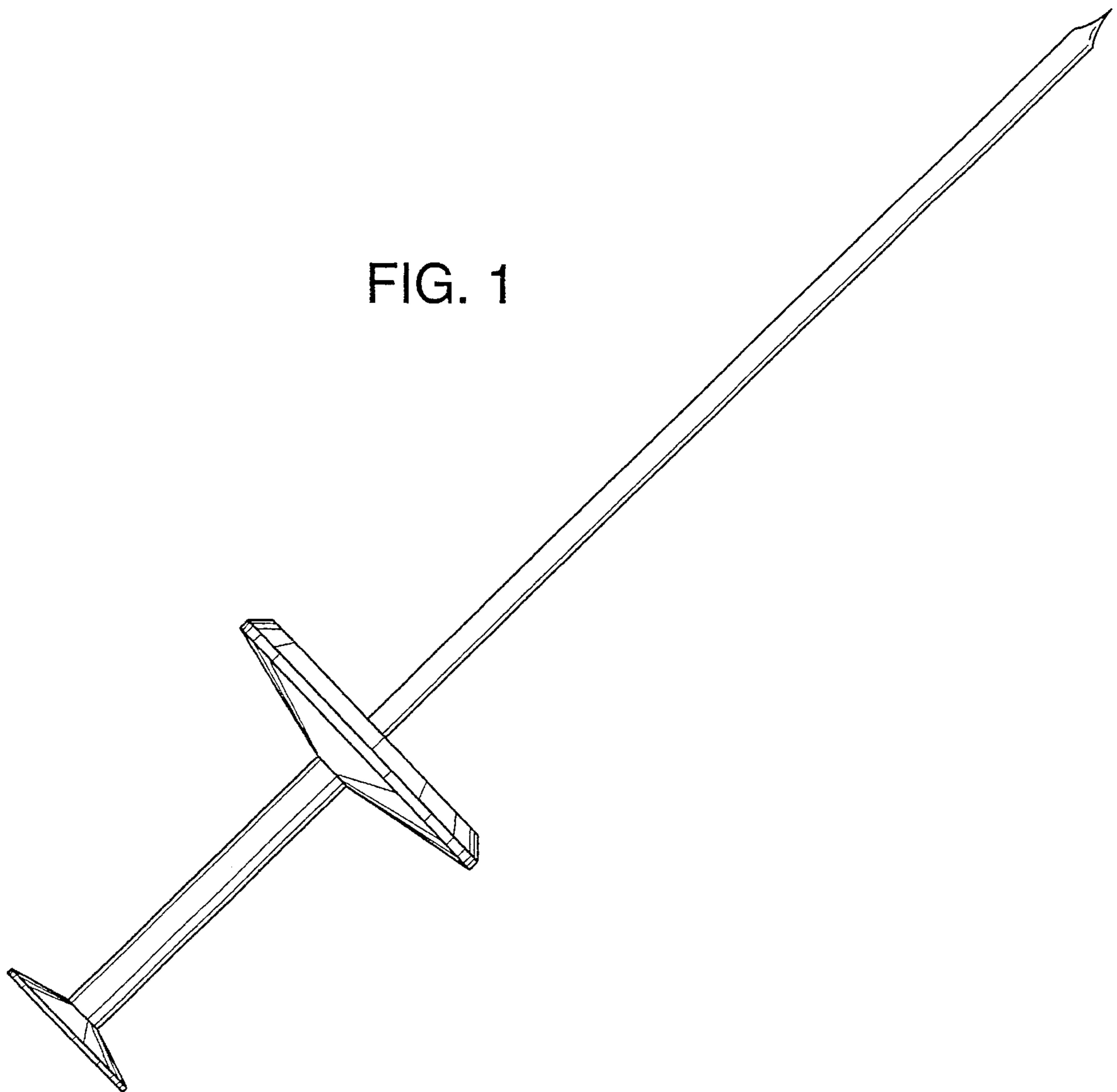


FIG. 1



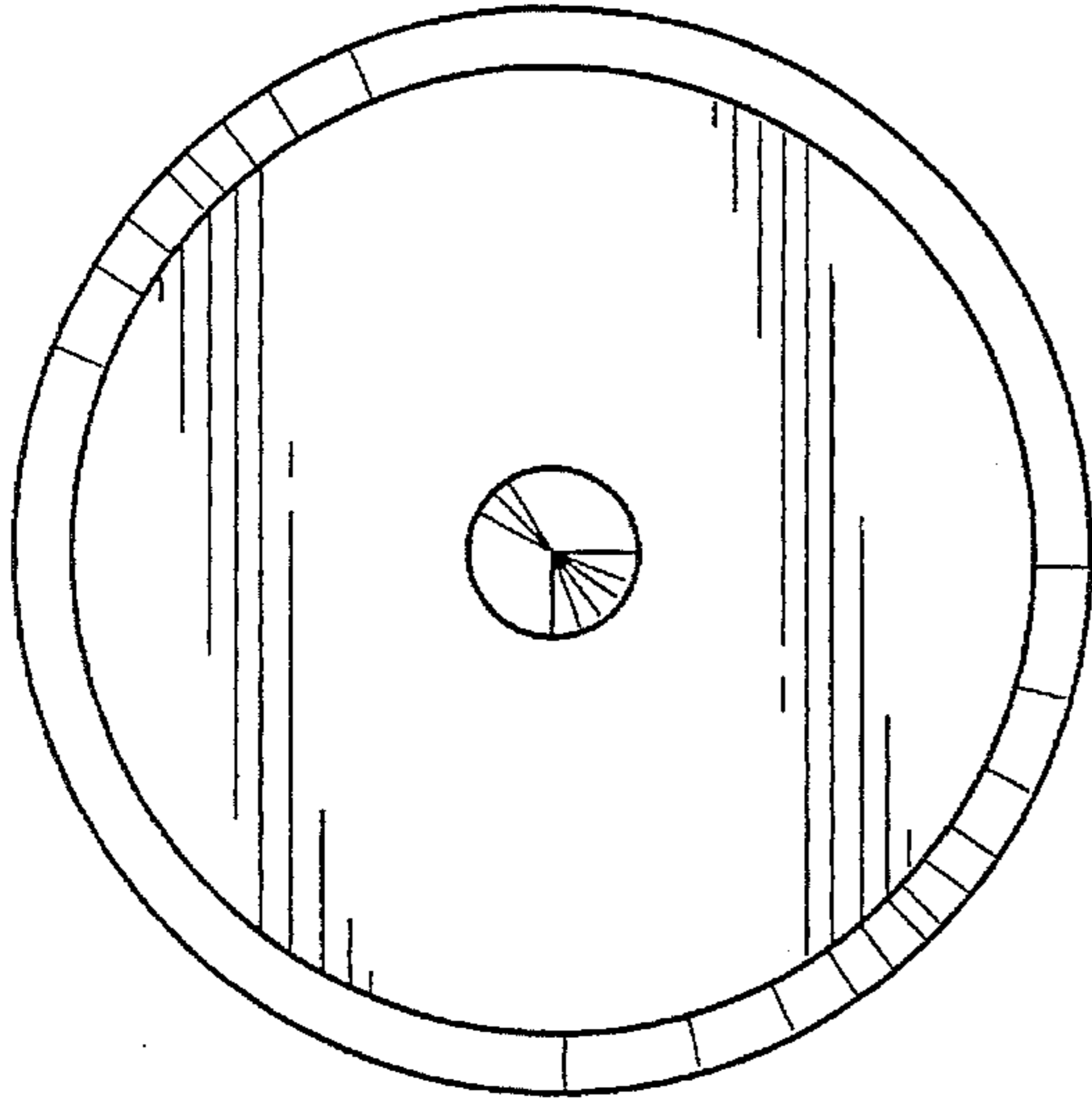


FIG. 2

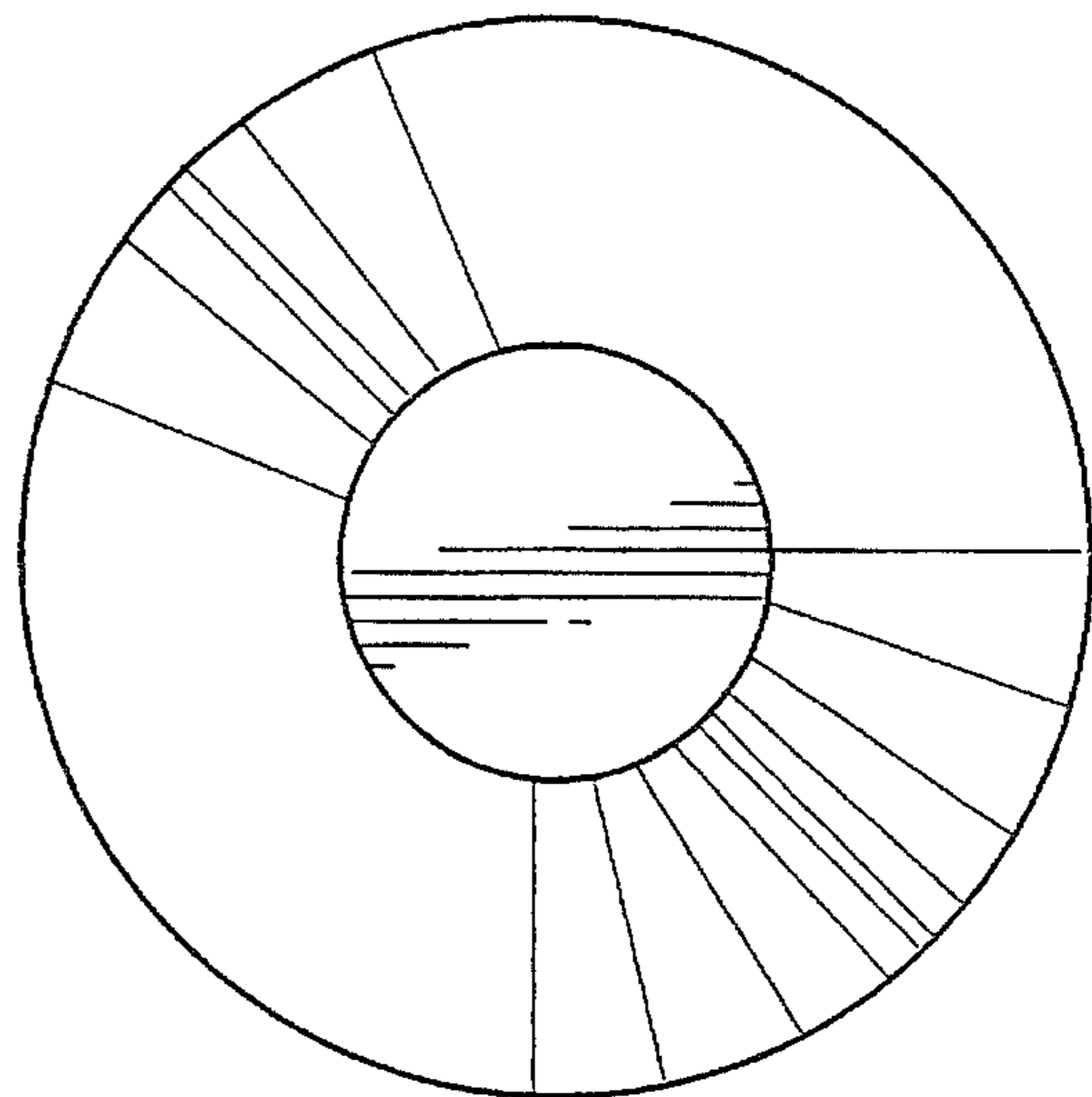


FIG. 3

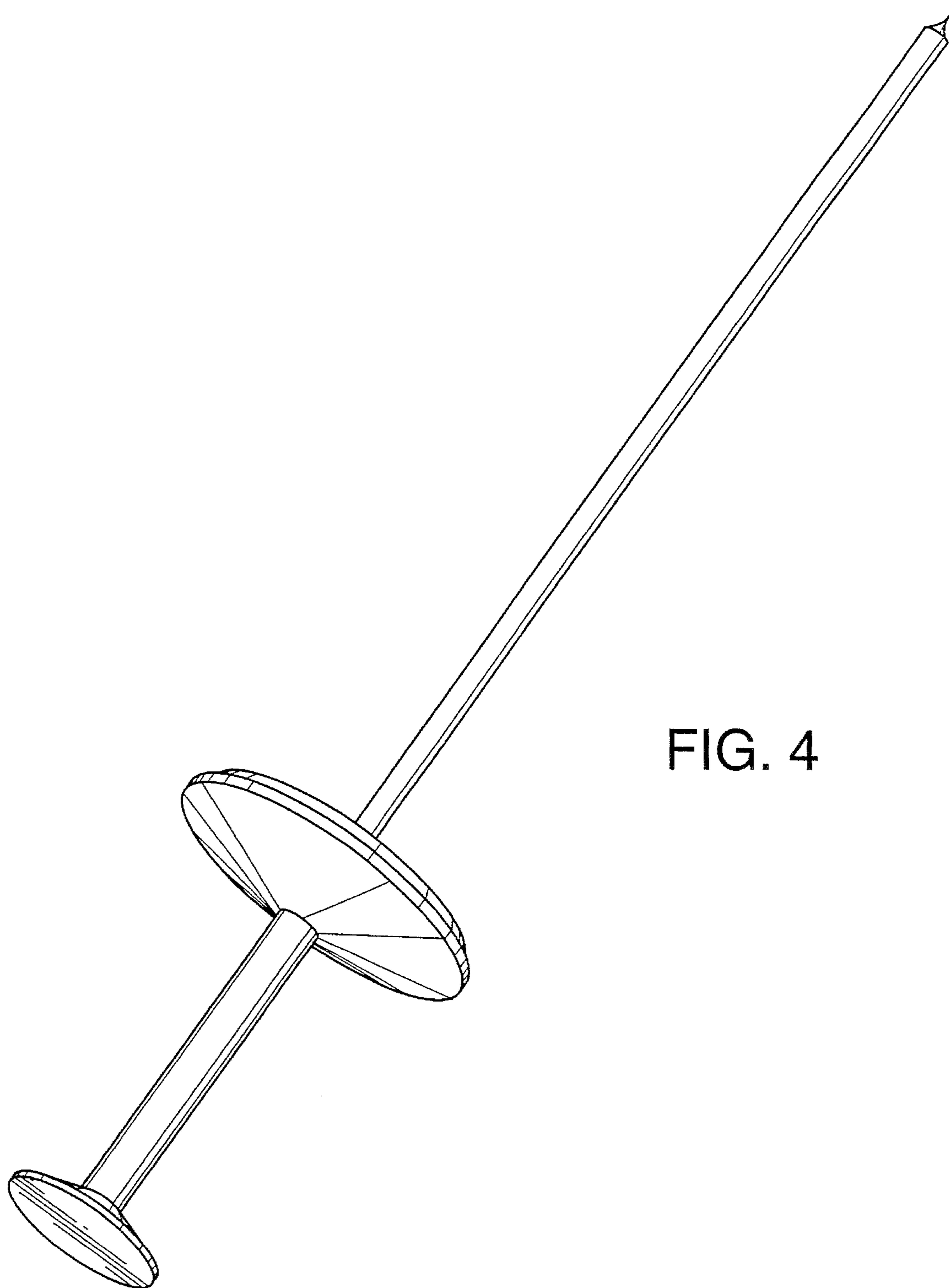


FIG. 4