



US00D372649S

United States Patent [19]

[11] Patent Number: **Des. 372,649**

Tuggle et al.

[45] Date of Patent: ****Aug. 13, 1996**

[54] **LAWN TRIMMER HANDLE**

[75] Inventors: **Lloyd H. Tuggle**, Shreveport; **Ron Brant**, Haughton; **Michael S. Houge**, Shreveport, all of La.

[73] Assignee: **WCI Outdoor Products, Inc.**, Cleveland, Ohio

[**] Term: **14 Years**

[21] Appl. No.: **36,691**

[22] Filed: **Mar. 2, 1995**

[52] U.S. Cl. **D8/8**

[58] Field of Search **D8/8; 56/12.7; 30/276, 347**

4,366,621	1/1983	Mitchell .
4,366,622	1/1983	Lombard .
4,483,069	11/1984	Moore .
4,490,910	1/1985	Mattson et al. .
4,493,151	1/1985	Mitchell .
4,835,867	6/1989	Collins, et al. .
4,852,258	8/1989	Foster .
4,897,923	2/1990	Collins .
5,276,968	1/1994	Collins et al. .

OTHER PUBLICATIONS

Weed Eater Catalog, Mar. 1986, p. 2, electric trimmer handle, circled at top right of page.

Primary Examiner—Holly H. Baynham
Attorney, Agent, or Firm—Marc A. Hubbard; Winstead Sechrest & Minick P.C.

[56] References Cited

U.S. PATENT DOCUMENTS

D. 251,956	5/1979	Averitt	D8/8
D. 251,957	5/1979	Averitt	D8/8
D. 251,958	5/1979	Averitt	D8/8
D. 251,959	5/1979	Averitt	D8/8
D. 251,960	5/1979	Averitt	D8/8
D. 251,961	5/1979	Averitt	D8/8
D. 303,483	9/1989	Takahashi et al.	D8/8
D. 349,221	8/1994	Griffin	D8/8
D. 351,768	10/1994	Griffin	D8/8
3,831,278	8/1974	Vogglesanger .	
4,052,789	10/1977	Ballas, Sr. .	
4,114,269	9/1978	Ballas, Sr. .	
4,124,938	11/1978	Ballas, Sr. .	
4,136,446	1/1979	Tripp .	
4,156,312	5/1979	Ballas, Sr. .	
4,156,967	6/1979	Ballas, Sr. .	
4,161,820	7/1979	Moore .	
4,167,812	9/1979	Moore .	
4,168,572	9/1979	Ewing .	
4,183,138	1/1980	Mitchell et al. .	
4,189,833	2/1980	Kwater .	
4,236,311	12/1980	Mitchell .	
4,236,312	12/1980	Foster et al. .	
4,269,372	5/1981	Kwater .	
4,290,200	9/1981	Lombard .	
4,347,666	9/1982	Moore .	
4,352,243	10/1982	Lombard .	
4,362,074	12/1982	Kwater .	

[57] CLAIM

The ornamental design for a lawn trimmer handle, as shown and described.

DESCRIPTION

FIG. 1 is a left side elevational view of a first embodiment of a lawn trimmer handle showing the new design;

FIG. 2 is an enlarged right side elevational view of the first embodiment of the lawn trimmer handle;

FIG. 3 is a left side elevational view of the first embodiment of the lawn trimmer handle;

FIG. 4 is a top view, taken along line 4—4 in FIG. 2, of the first embodiment of the lawn trimmer handle;

FIG. 5 is a bottom view, taken along line 5—5 in FIG. 2 of the first embodiment of the lawn trimmer handle;

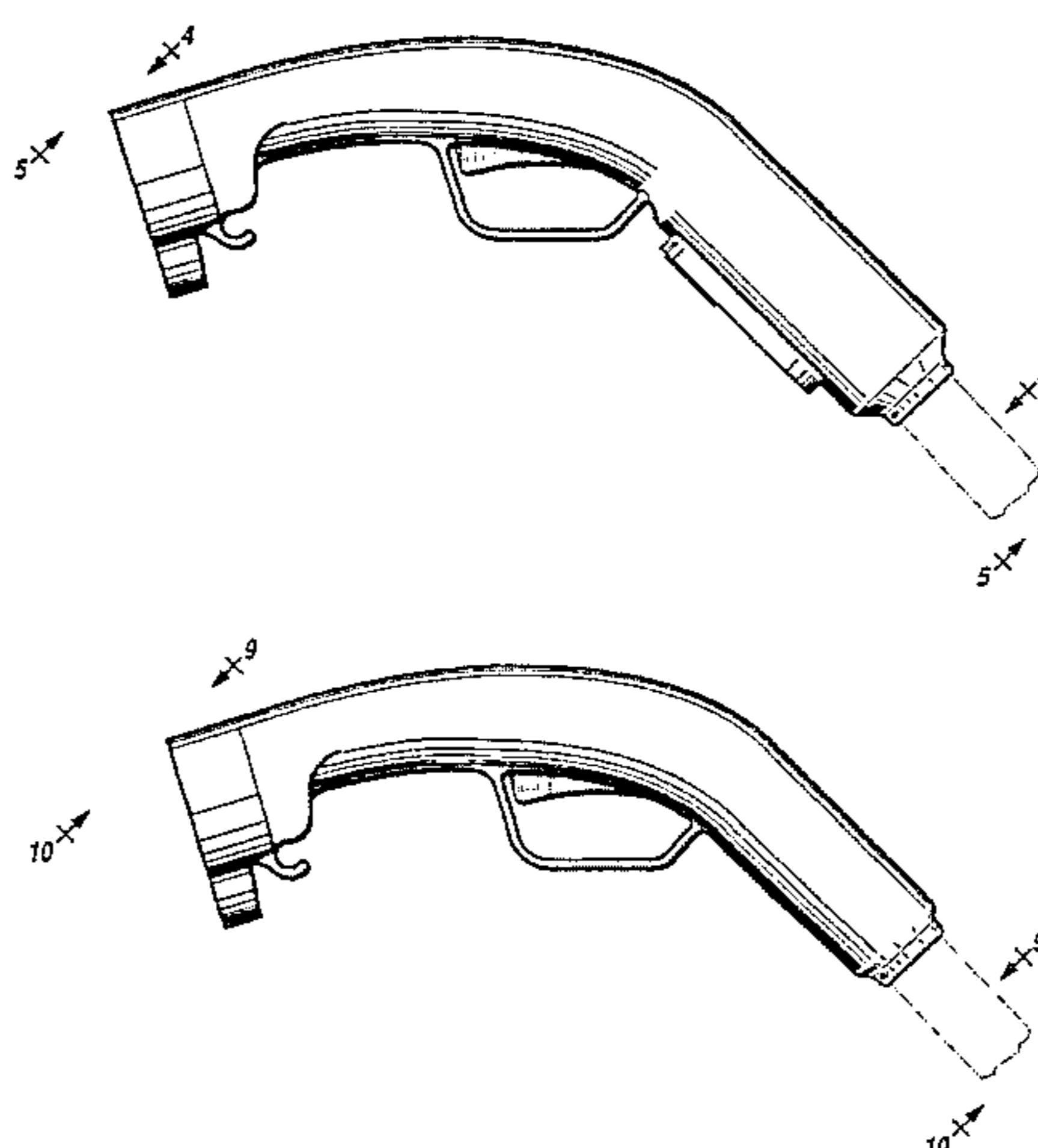
FIG. 6 is a reduced left side elevational view of a second embodiment of the lawn trimmer handle showing the new design;

FIG. 7 is an enlarged right side elevational view of the second embodiment of the lawn trimmer handle;

FIG. 8 is a left side elevational view of the second embodiment of the lawn trimmer handle;

FIG. 9 is a top view, taken along line 9—9 in FIG. 7, of the second embodiment of the lawn trimmer handle; and,

FIG. 10 is a bottom view, taken along line 10—10 in FIG. 7, of the second embodiment of the lawn trimmer handle.



The tube, assist handle and lower motor housing of a lawn trimmer indicated by broken lines in FIGS. 1 and 6, and the tube portion shown by broken lines in FIGS. 2-5 and 7-10, are for illustrative purposes only and form no part of the claimed design.

1 Claim, 4 Drawing Sheets

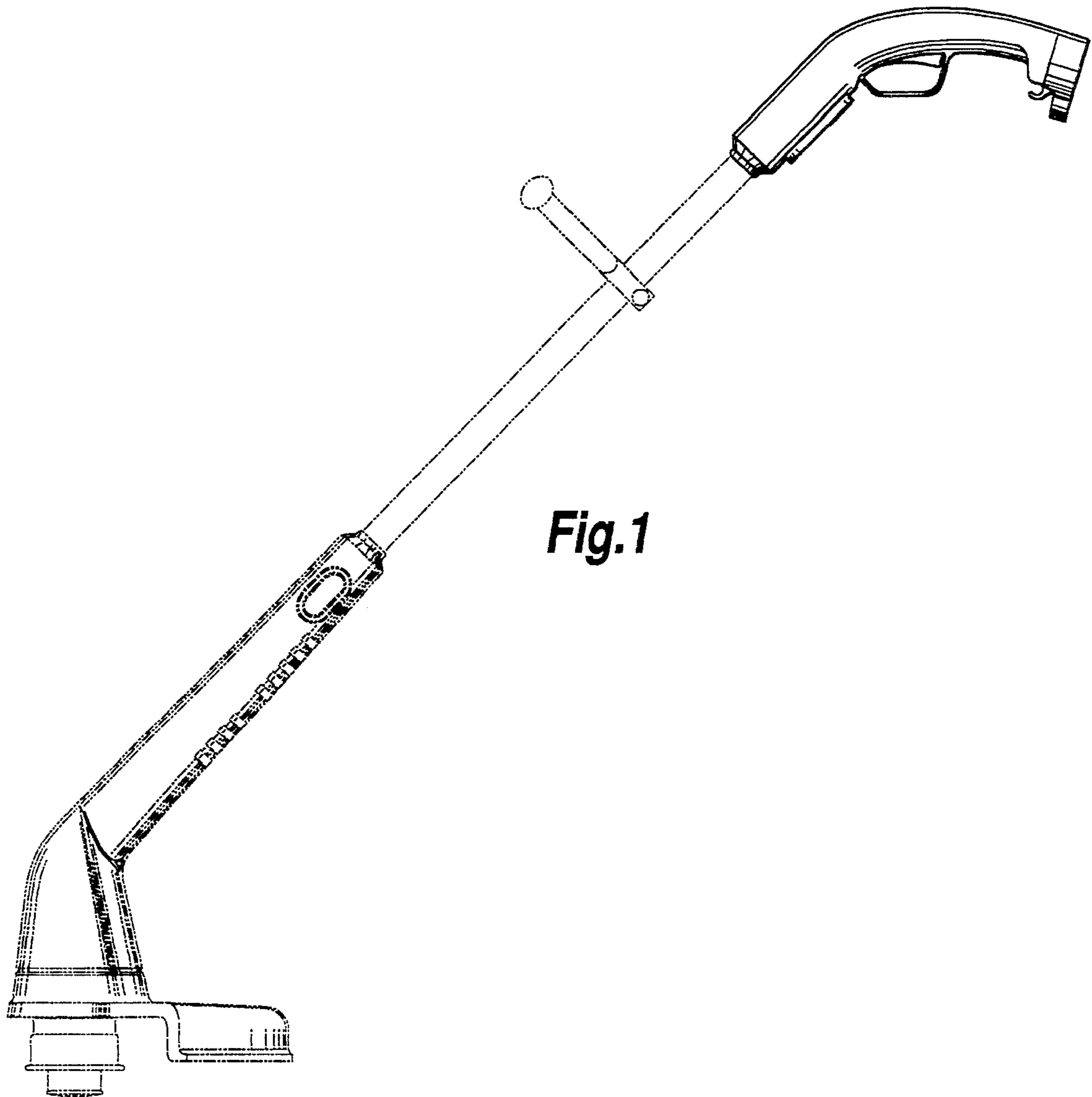


Fig. 1

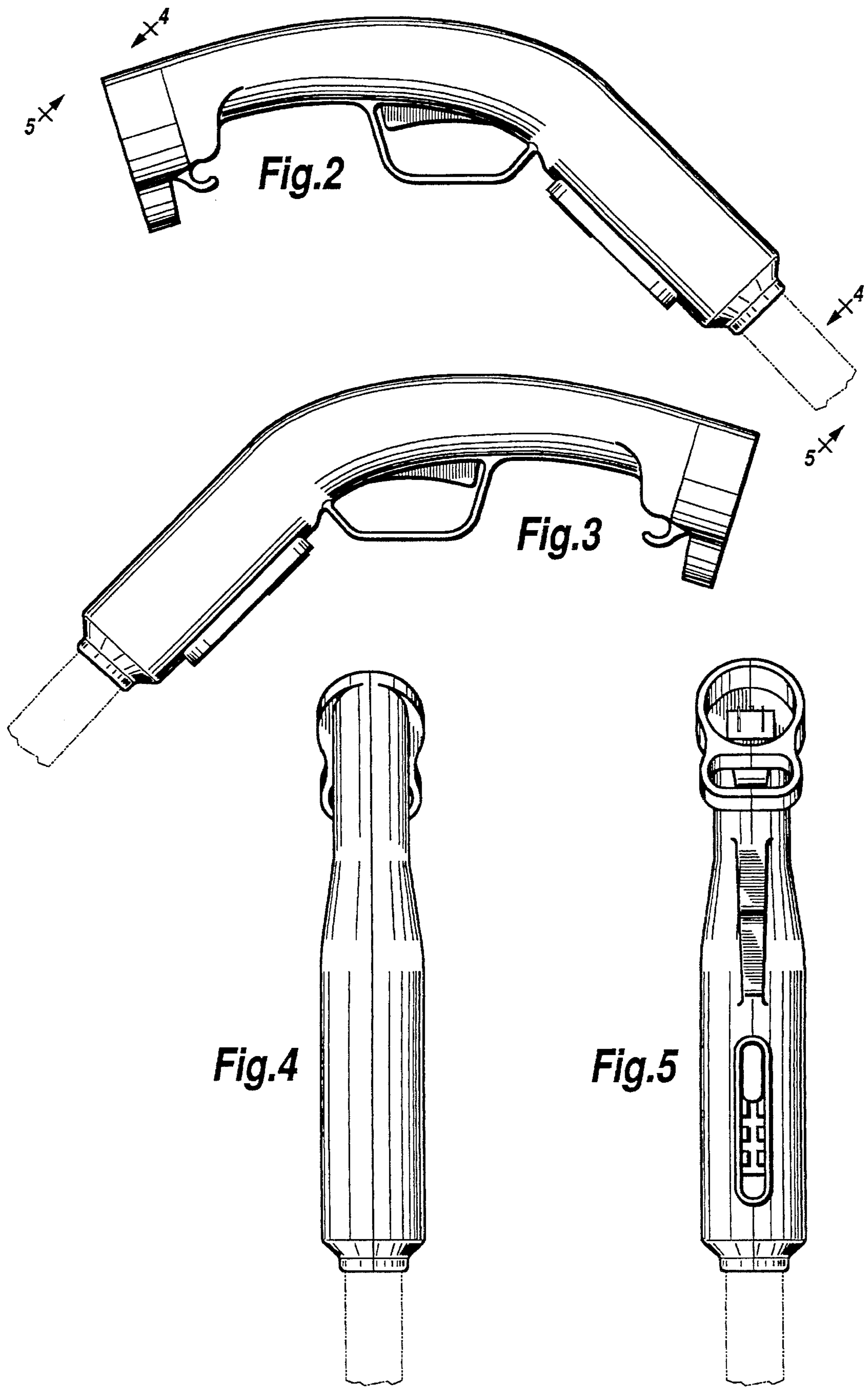


Fig.2

Fig.3

Fig.4

Fig.5

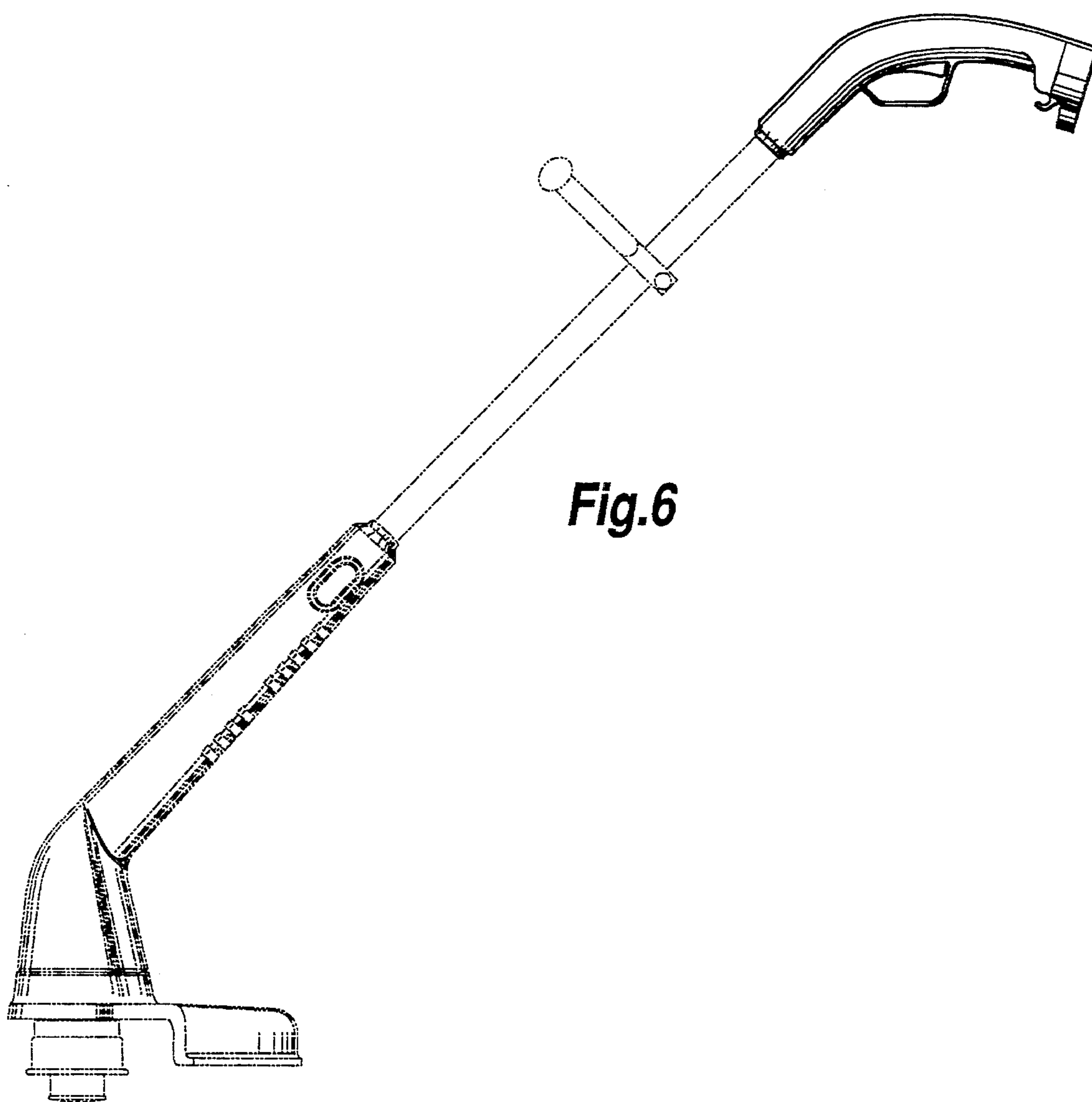


Fig.6

