



US00D372644S

**United States Patent** [19]  
**Husted**

[11] **Patent Number: Des. 372,644**

[45] **Date of Patent: \*\*Aug. 13, 1996**

[54] **PEPPERMILL**

[76] Inventor: **Wayne Husted**, 415 Main St.,  
Sausalito, Calif. 94965

[\*\*] Term: **14 Years**

[21] Appl. No.: **35,287**

[22] Filed: **Feb. 24, 1995**

[52] U.S. Cl. .... **D7/679**

[58] Field of Search ..... D7/590-597, 679;  
222/142.1-142.9; 241/169, 169.1, 168;  
D9/529, 560

[56] **References Cited**  
**PUBLICATIONS**

Gift & Art Buyer, Jan. 1960, p. 107, salt/pepper set #12.  
House Beautiful, Oct. 1960, p. 67, salt/pepper set.  
Pottery & Glass, Nov. 1961, p. 926, salt/pepper set #28, far  
right.

Mr. Dudley pepper mills, p. 9, top, left corner #933.

*Primary Examiner*—Terry A. Wallace  
*Attorney, Agent, or Firm*—Rader, Fishman and Grauer,  
PLLC

[57] **CLAIM**

The ornamental design for a peppermill, as shown and  
described.

**DESCRIPTION**

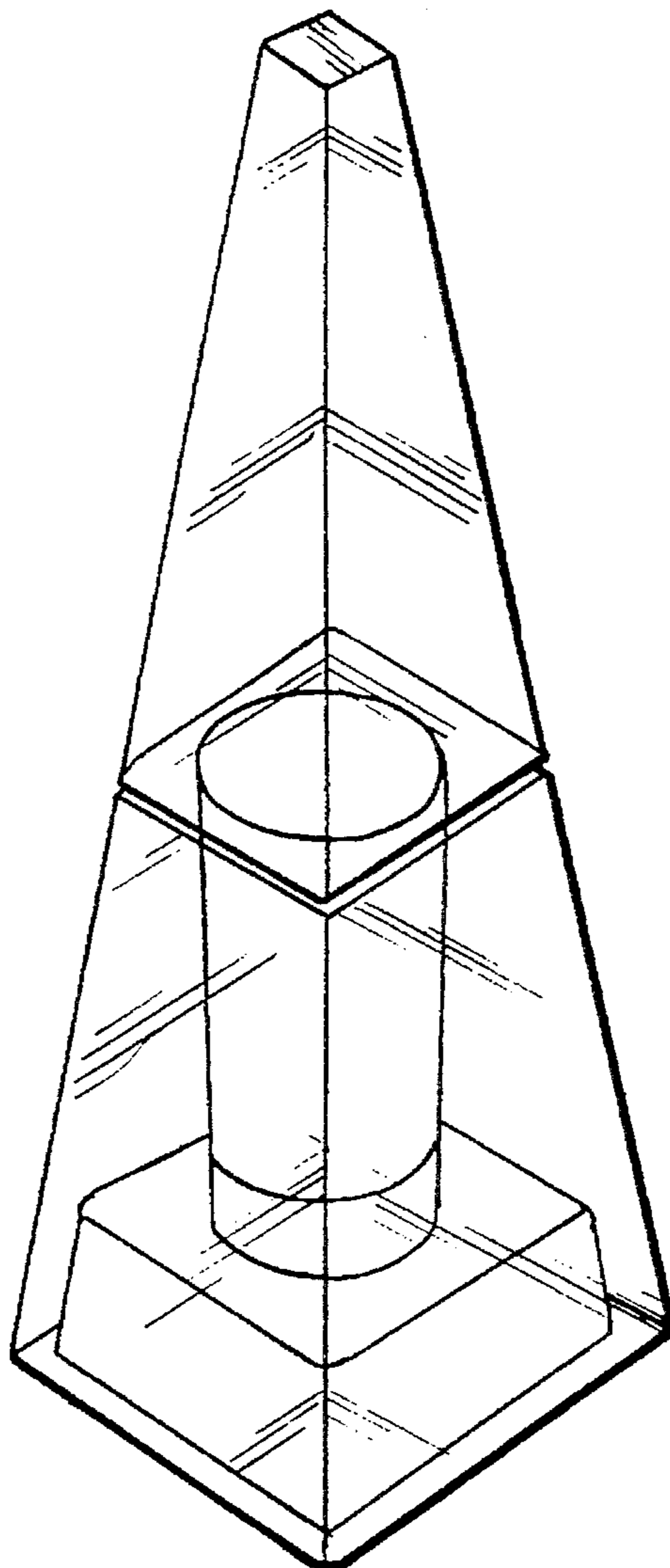
FIG. 1 is a top front right perspective view of a peppermill  
showing my new design;

FIG. 2 is a front elevational view thereof;

FIG. 3 is a top plan view thereof; and,

FIG. 4 is a bottom plan view thereof.

**1 Claim, 1 Drawing Sheet**



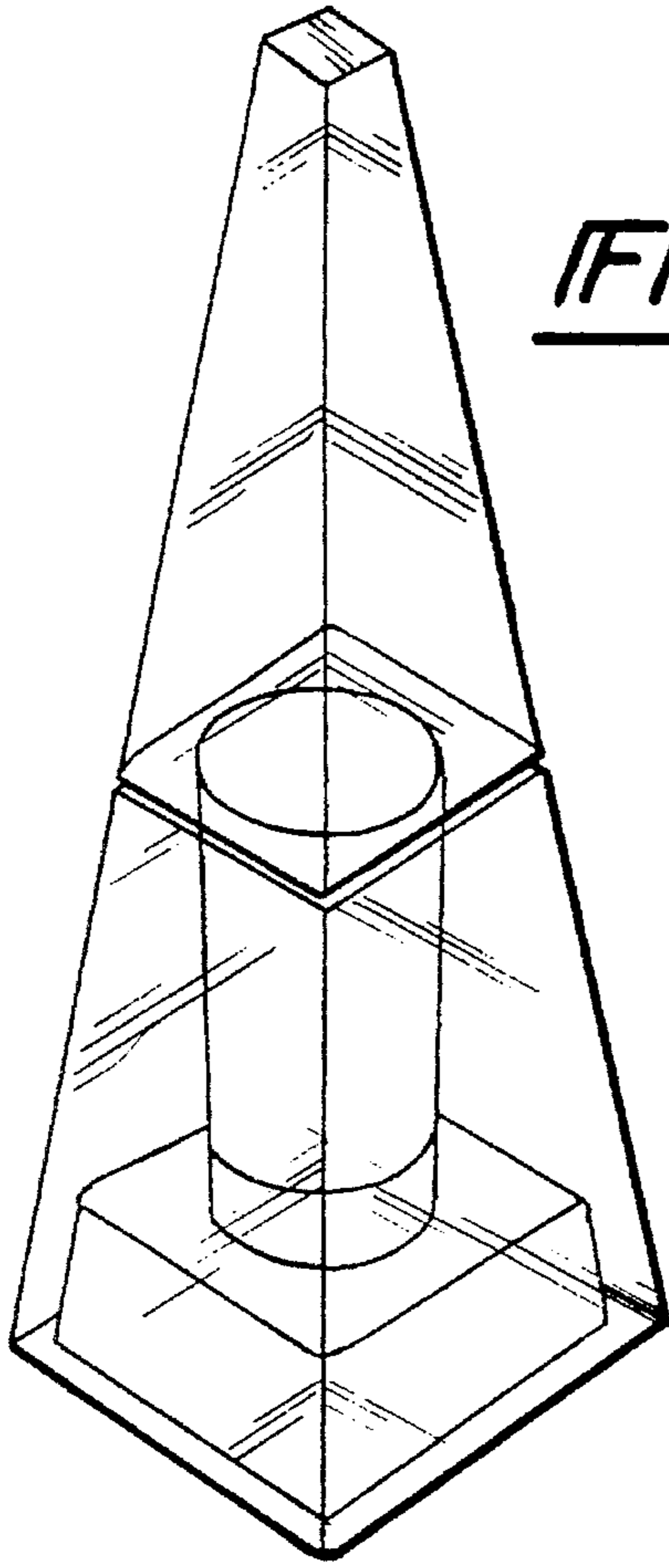


Fig-1

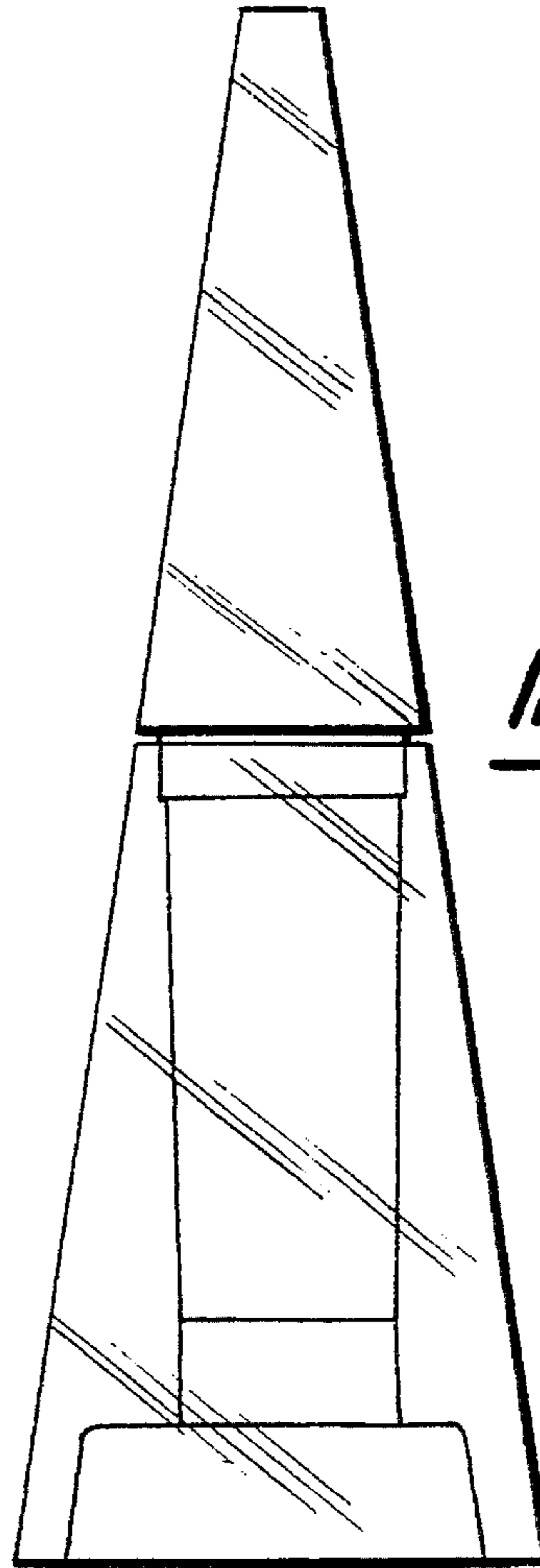


Fig-2

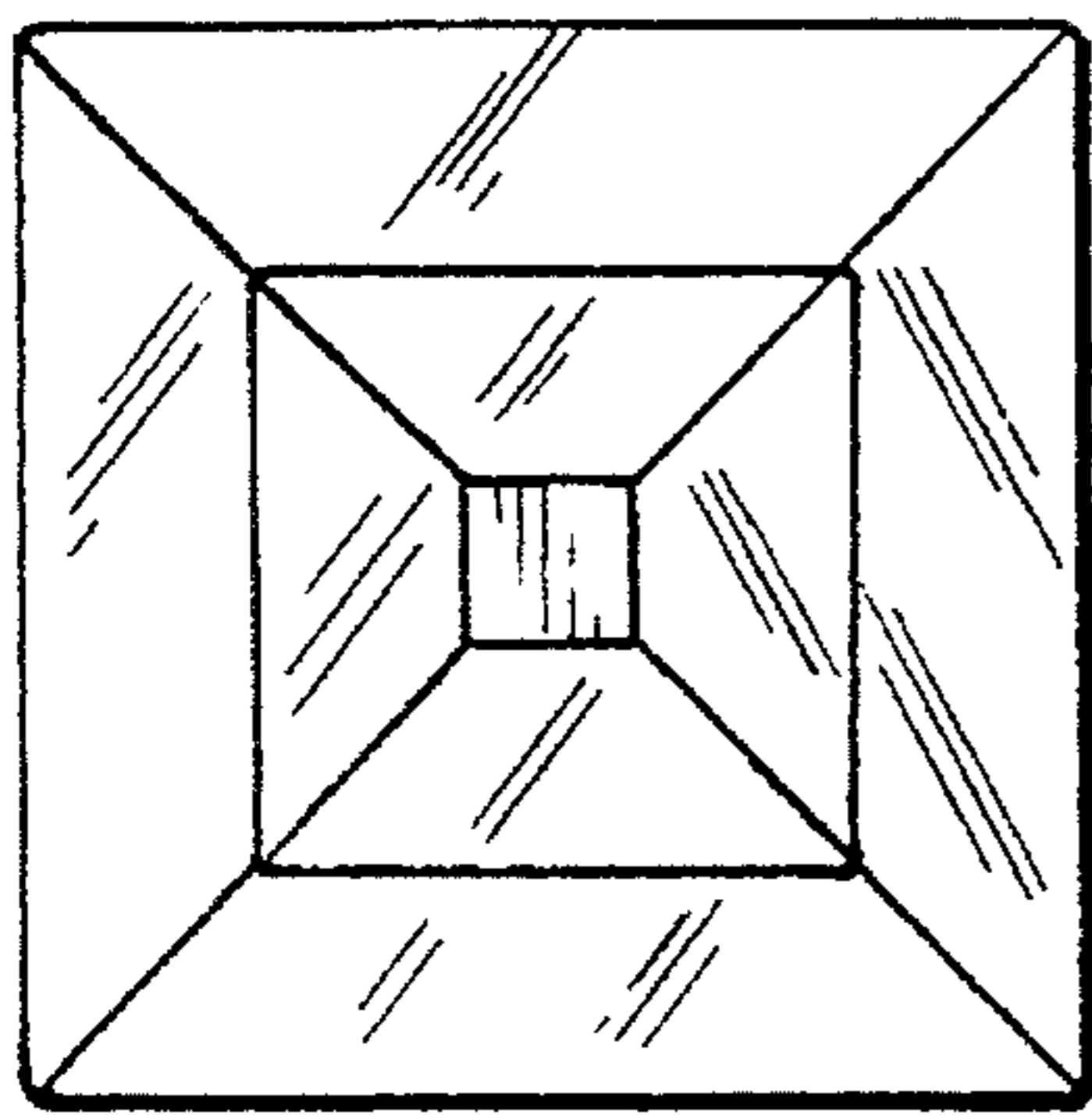


Fig-3

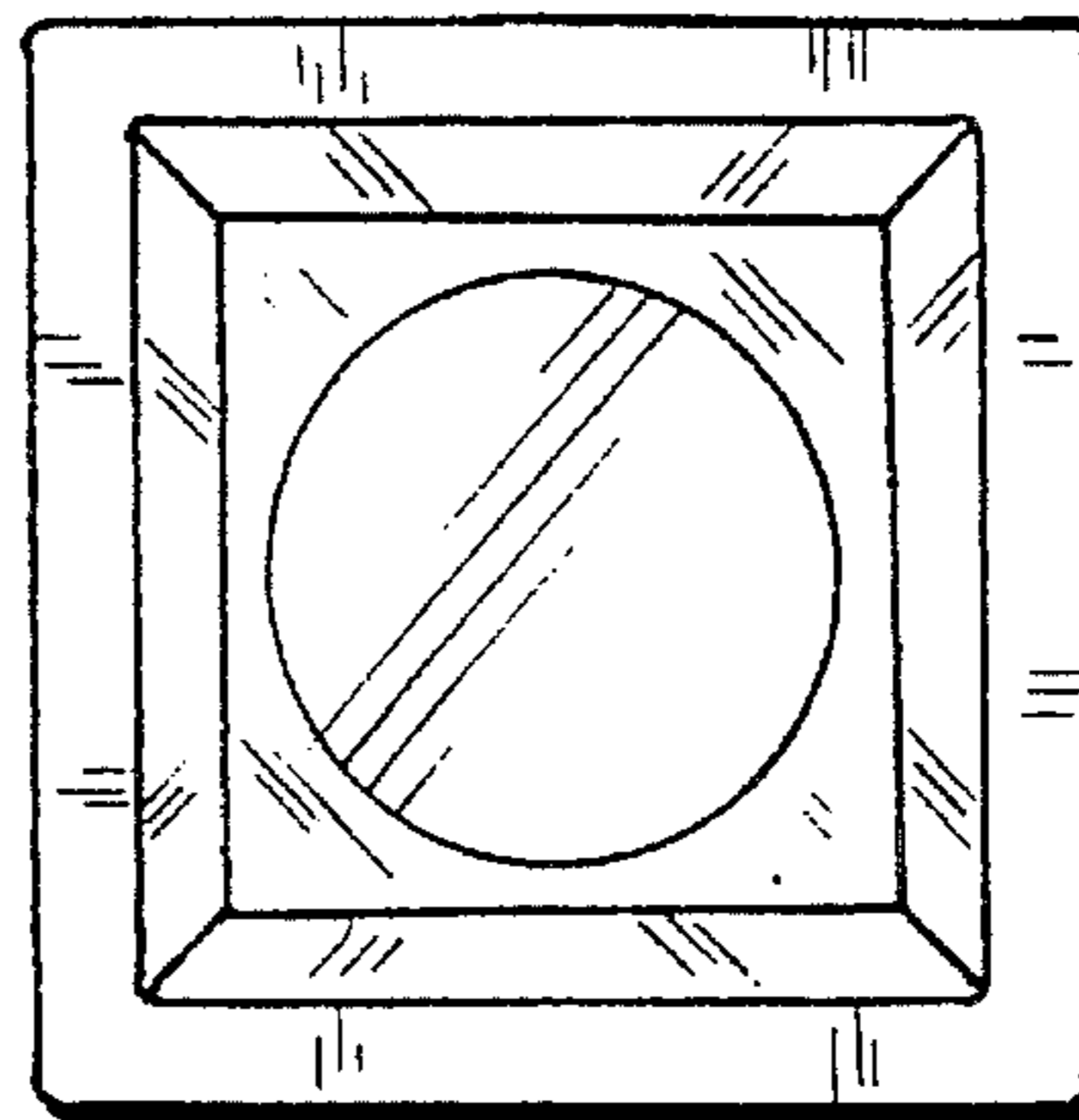


Fig-4