



US00D372641S

United States Patent [19]
Betend-Bon

[11] **Patent Number: Des. 372,641**
[45] **Date of Patent: **Aug. 13, 1996**

[54] **FOOD STORAGE BOX**

D. 280,964 10/1985 Wolff D7/629
3,863,833 2/1975 Swett et al. 206/557

[75] Inventor: **Alain Betend-Bon**, Annecy, France

[73] Assignee: **Tefal S.A.**, Rumilly, France

[**] Term: **14 Years**

Primary Examiner—Terry A. Wallace
Attorney, Agent, or Firm—Young & Thompson

[21] Appl. No.: **41,586**

[22] Filed: **Jul. 18, 1995**

[57] **CLAIM**

The ornamental design for a food storage box, as shown and described.

[30] **Foreign Application Priority Data**

DESCRIPTION

Jan. 18, 1995 [FR] France 950 295

[52] **U.S. Cl.** **D7/629**

[58] **Field of Search** D7/538-549, 601,
D7/602, 614-15, 629; D9/414, 418, 424,
425, 430-432; 206/216, 557; 220/212,
253, 352, 353, 675, 306

FIG. 1 is a top, side and end perspective view of a food storage box showing my new design;

FIG. 2 is a side elevational view thereof, the side opposite that shown in FIG. 2 being the mirror image thereof;

FIG. 3 is an end elevational view thereof, the side opposite that shown in FIG. 3 being the mirror image thereof;

FIG. 4 is a top plan view thereof; and,

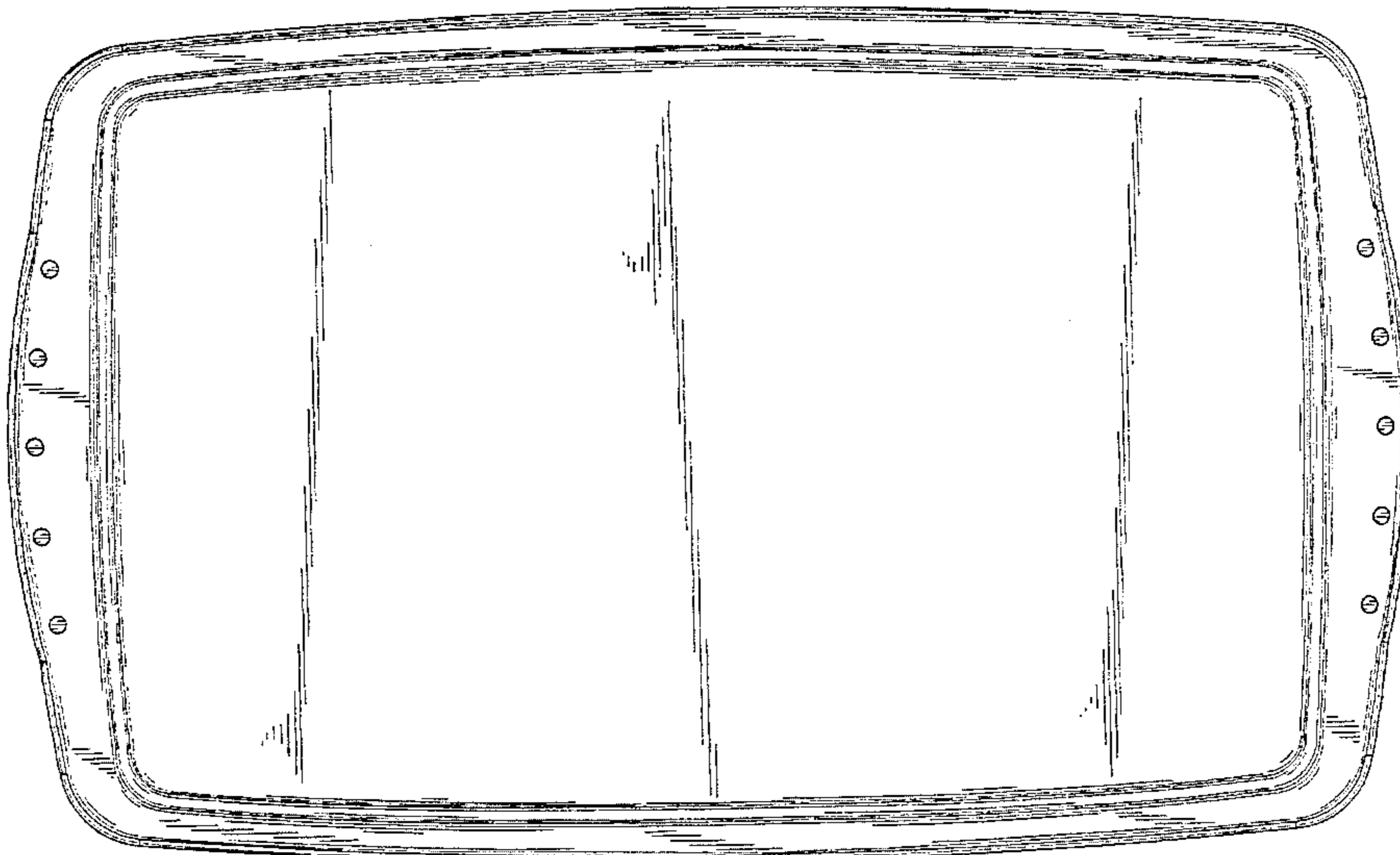
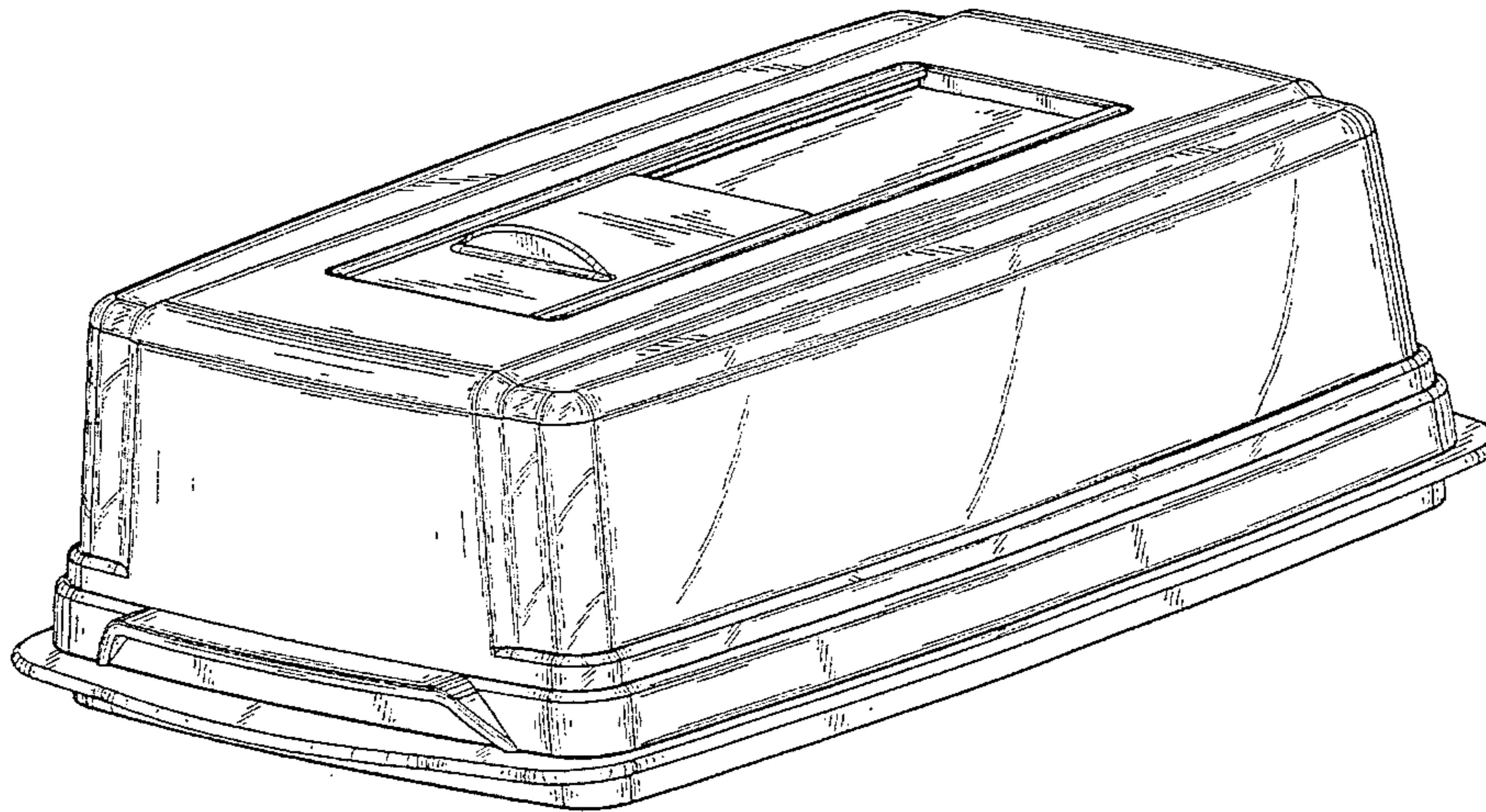
FIG. 5 is a bottom plan view thereof.

[56] **References Cited**

U.S. PATENT DOCUMENTS

D. 235,406 6/1975 Daenen D7/629

1 Claim, 5 Drawing Sheets



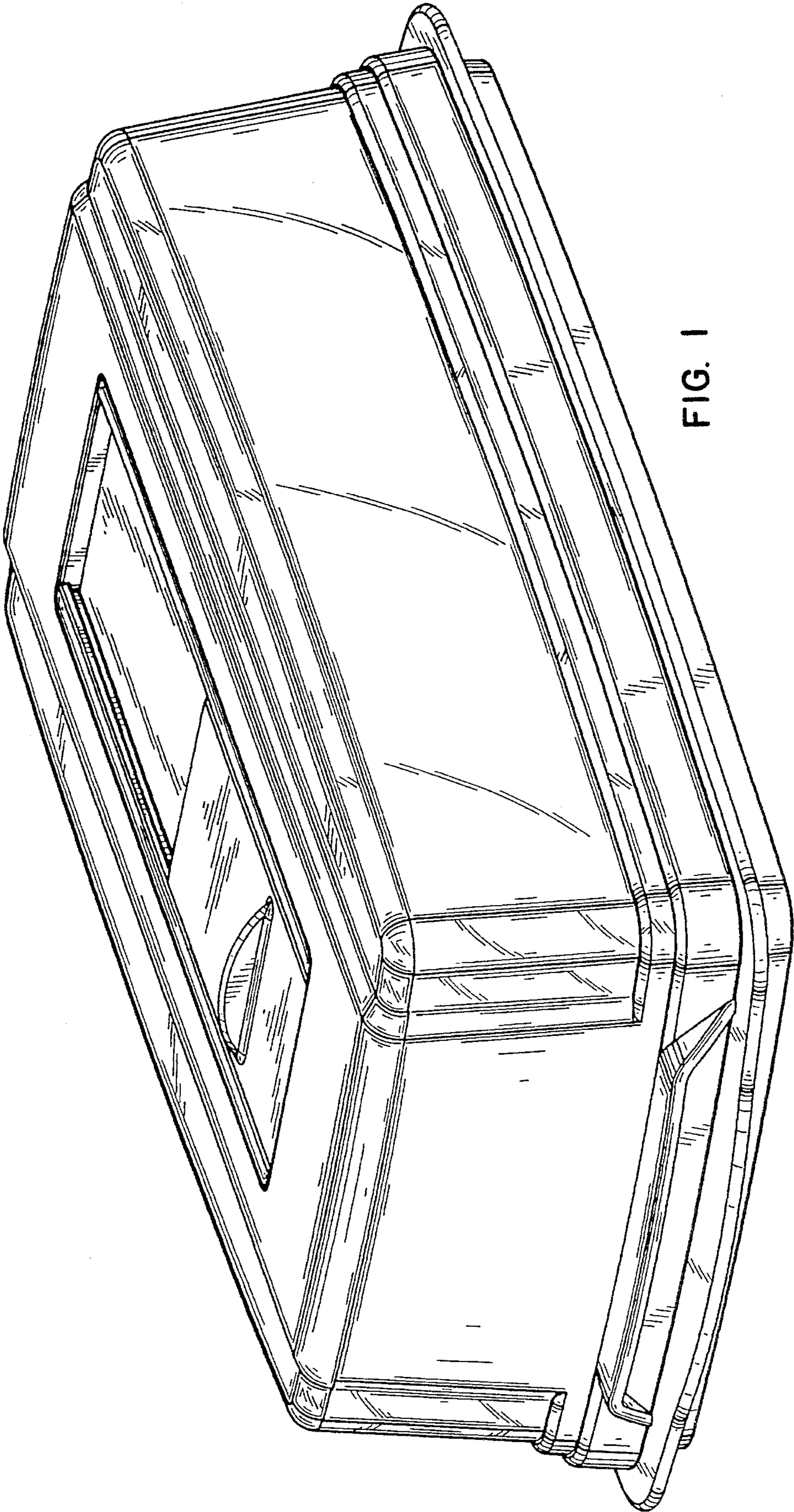


FIG. 1

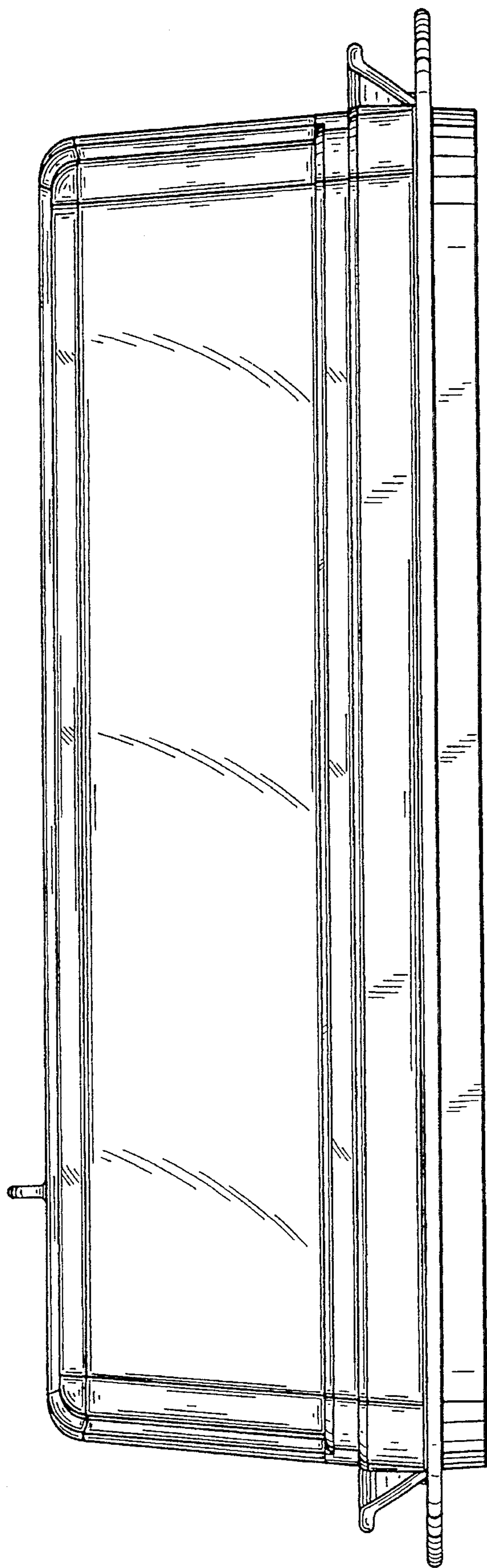


FIG. 2

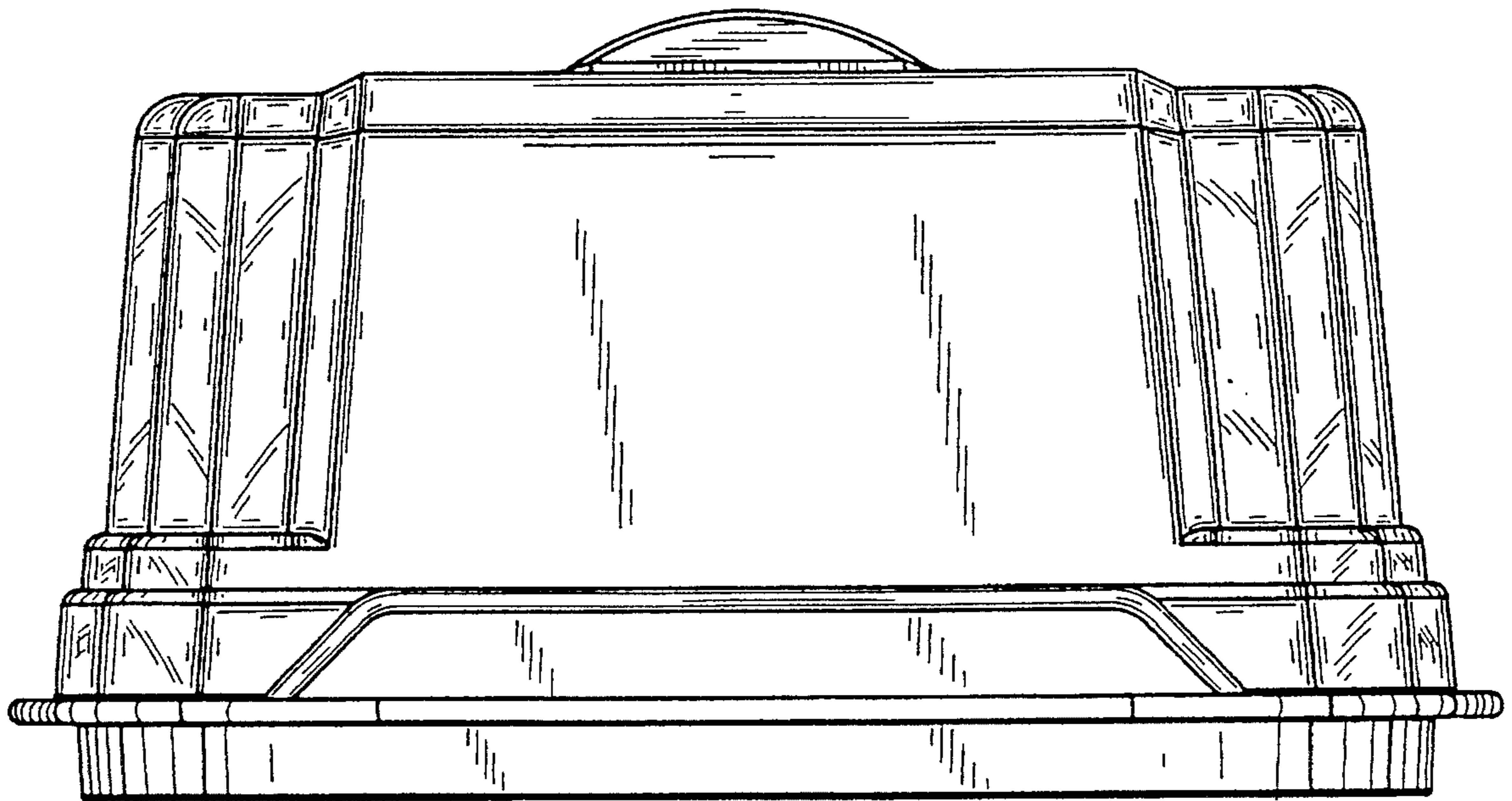


FIG. 3

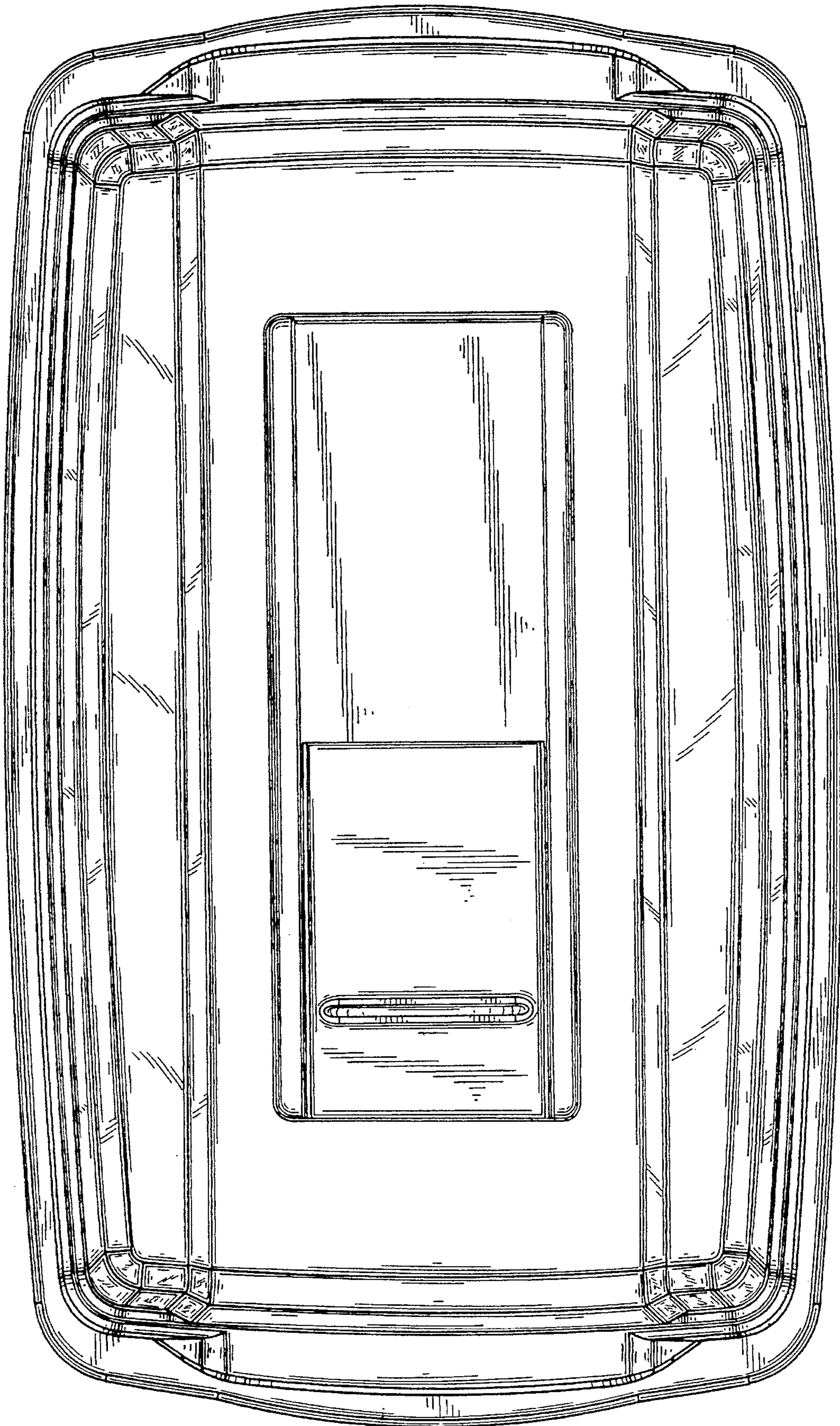


FIG. 4

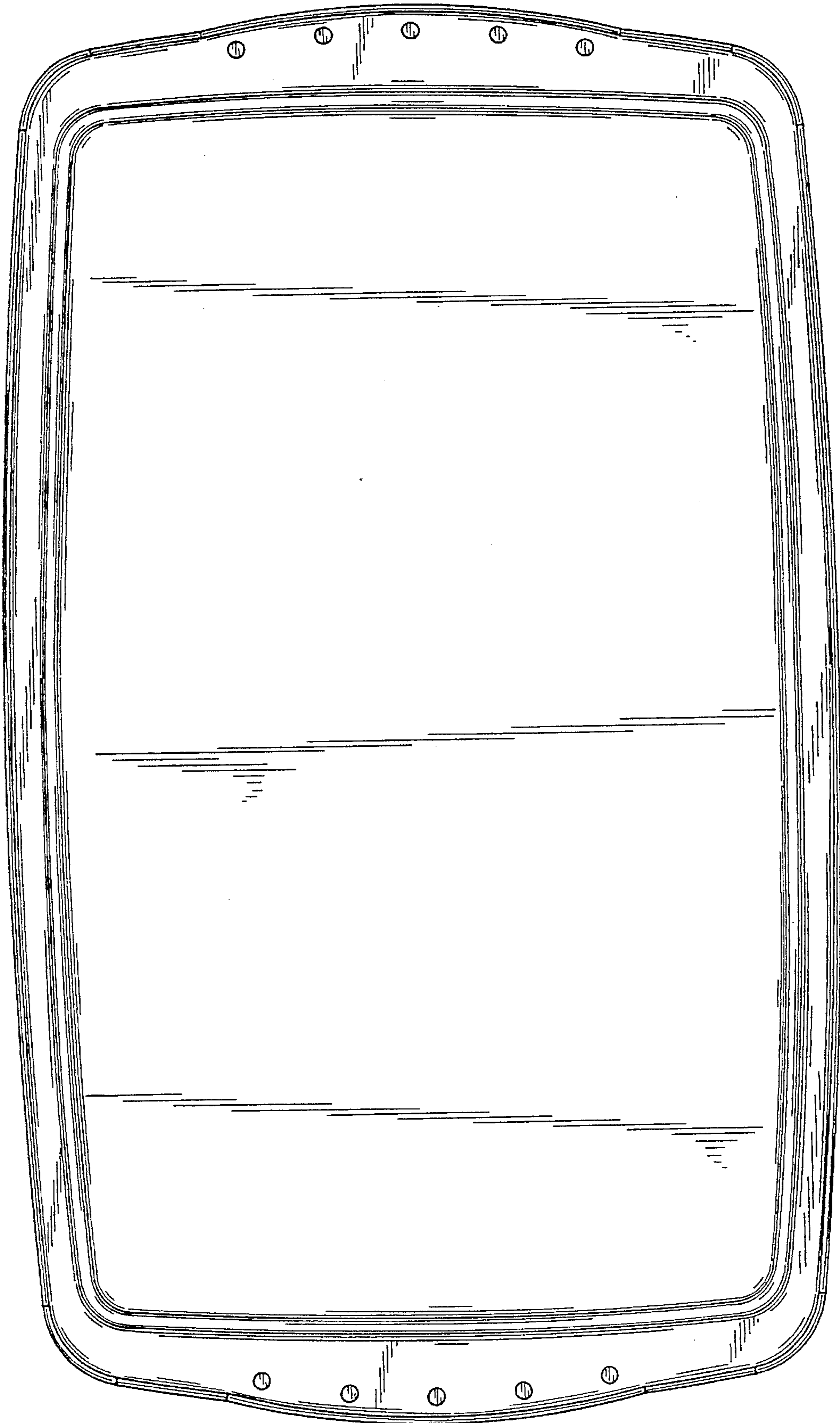


FIG. 5