



US00D372638S

United States Patent [19]
McWilliams

[11] **Patent Number: Des. 372,638**

[45] **Date of Patent: **Aug. 13, 1996**

[54] **RADIANT STOVE HEATER**

[75] Inventor: **Kevin R. McWilliams**, Stratford upon Avon, United Kingdom

[73] Assignee: **Ceramaspeed Limited**, United Kingdom

[**] Term: **14 Years**

[21] Appl. No.: **26,837**

[22] Filed: **Aug. 8, 1994**

[30] **Foreign Application Priority Data**

Mar. 2, 1994 [GB] United Kingdom 2037434

[52] **U.S. Cl.** **D7/407**

[58] **Field of Search** D7/346, 402, 407;
D23/419; 126/39 E, 39 J, 373; 219/446,
449, 452, 464-468

[56] **References Cited**

U.S. PATENT DOCUMENTS

D. 342,991 1/1994 McWilliams D23/419

2,313,968 3/1943 Reich 125/373 X

5,043,559 8/1991 Scott 219/464

5,051,561 9/1991 McWilliams et al. D7/407 X

5,171,973 12/1992 Higgins 219/464

Primary Examiner—Nelson C. Holtje
Assistant Examiner—Caron D. Veynar
Attorney, Agent, or Firm—Ira S. Dorman

[57] **CLAIM**

The ornamental design for a radiant stove heater, as shown and described.

DESCRIPTION

FIG. 1 is a top plan view of a radiant stove heater showing my new design;

FIG. 2 is a cross-sectional view taken along line 2—2 of FIG. 1;

FIG. 3 is a first side elevational view thereof;

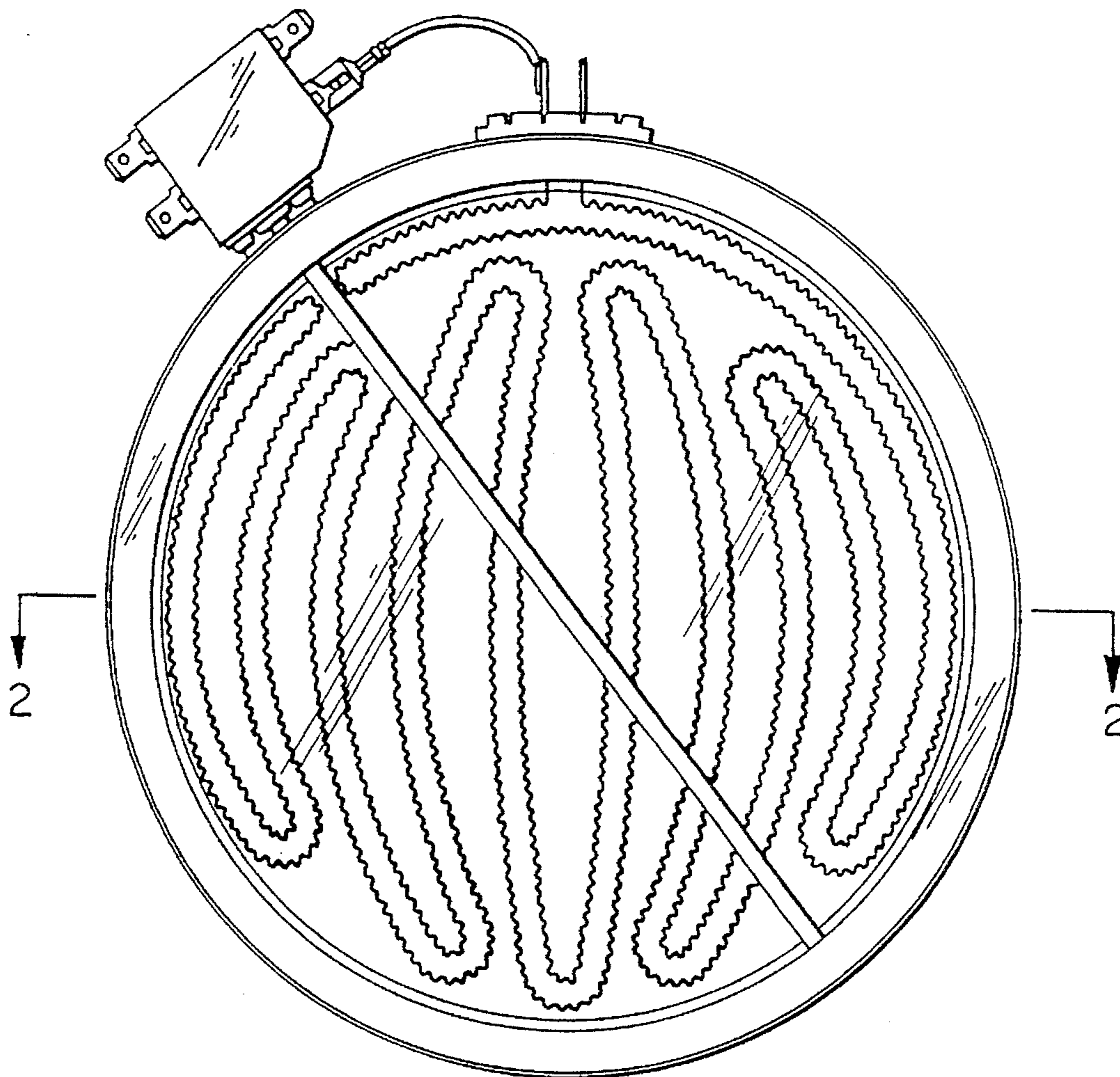
FIG. 4 is a second side elevational view thereof;

FIG. 5 is a bottom plan view thereof;

FIG. 6 is a third side elevational view thereof; and,

FIG. 7 is a fourth side elevational view thereof.

1 Claim, 2 Drawing Sheets



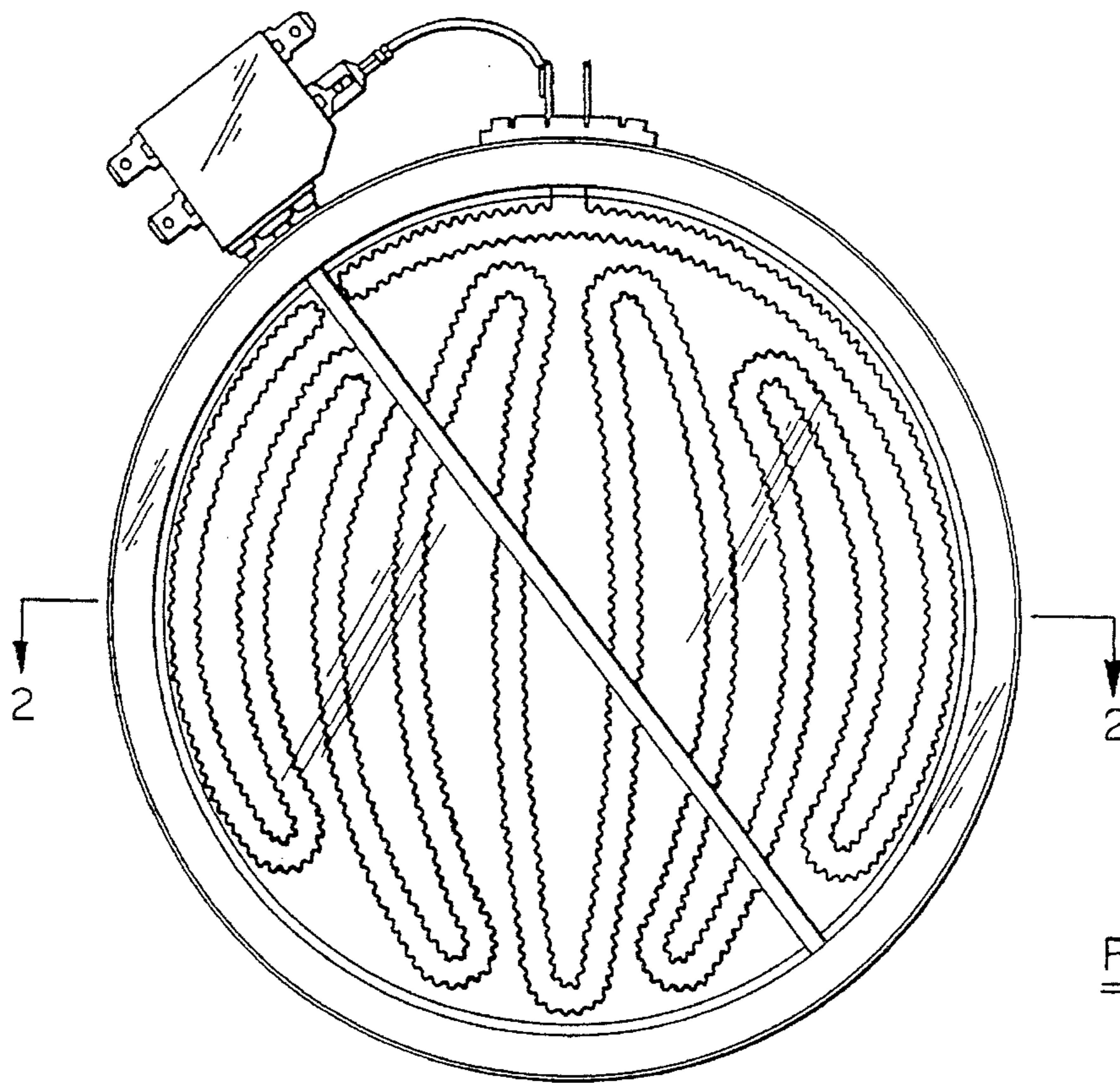


FIG 1

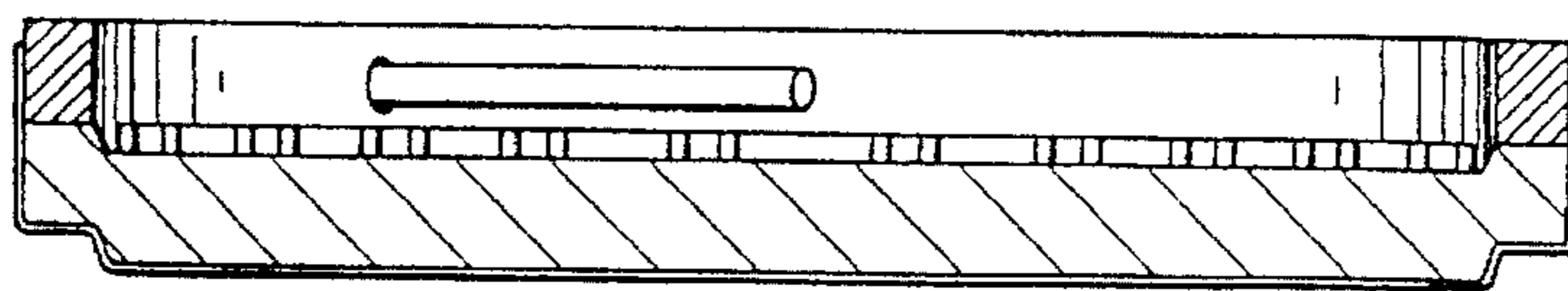


FIG 2

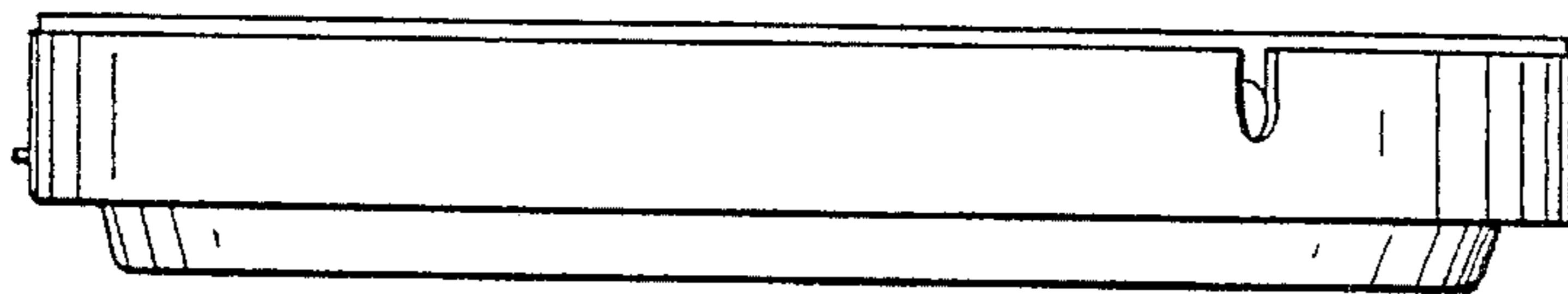


FIG 3

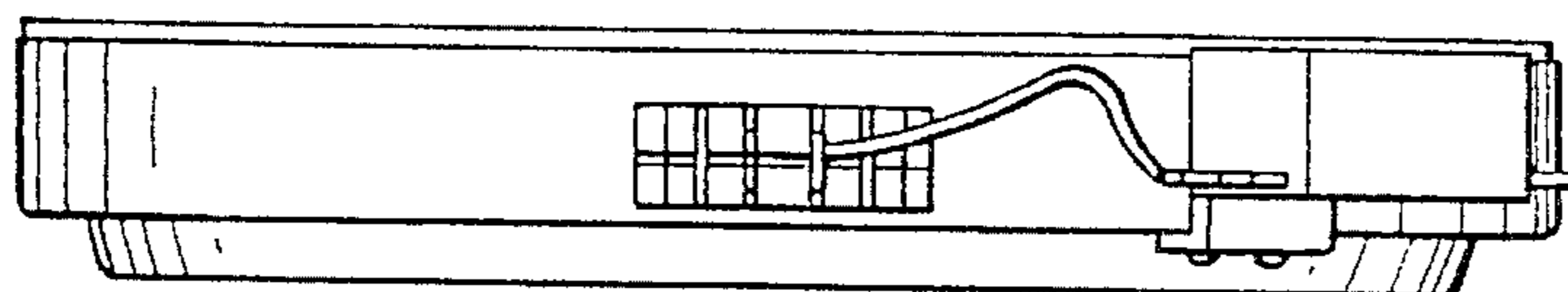


FIG 4

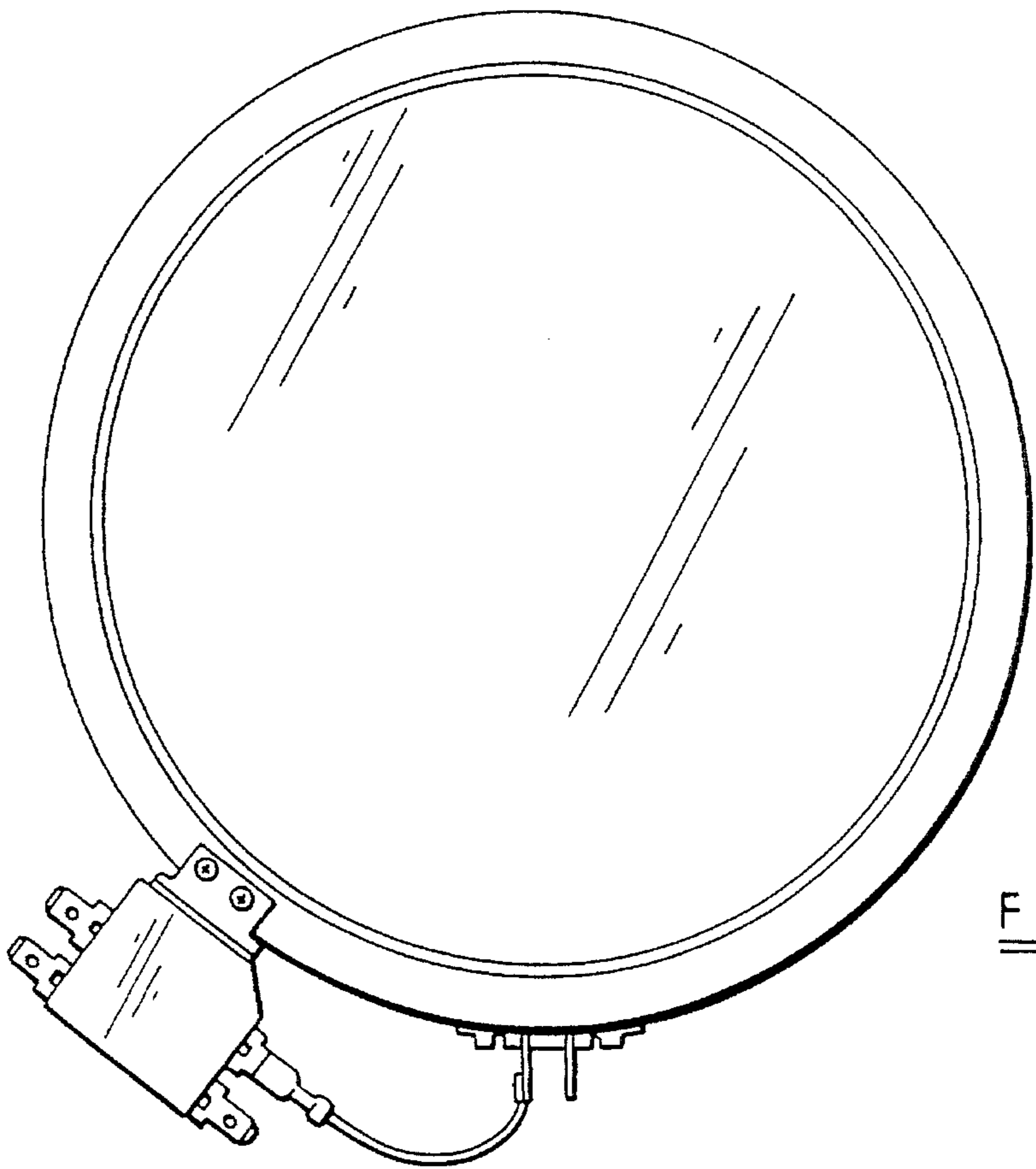


FIG 5

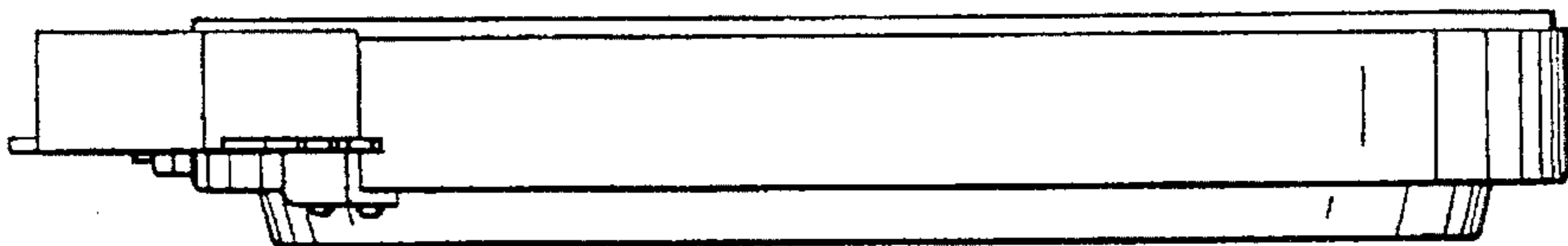


FIG 6

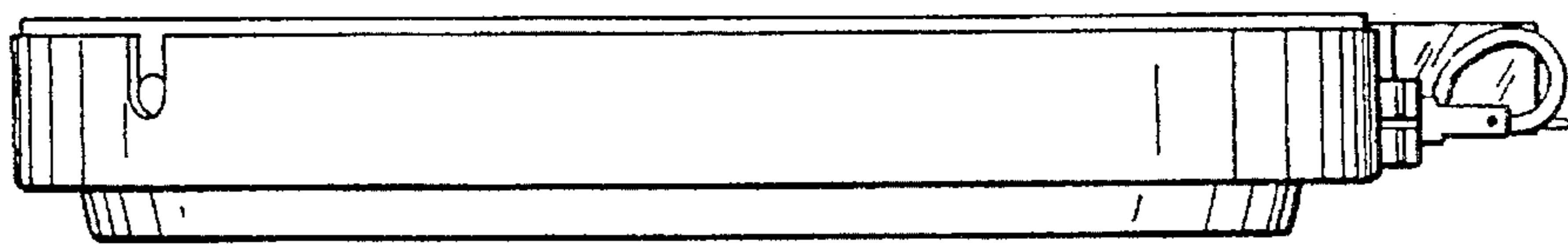


FIG 7