



US00D372633S

United States Patent [19]
Redl, Jr.

[11] **Patent Number: Des. 372,633**
[45] **Date of Patent: **Aug. 13, 1996**

[54] **SLICING AND WEIGHING MACHINE**

FOREIGN PATENT DOCUMENTS

[76] Inventor: **Arnost Redl, Jr.**, 3907 Shady Glen La.,
Sarasota, Fla. 34241

8701375 1/1989 Netherlands 83/77

[**] Term: **14 Years**

Primary Examiner—Antoine Duval Davis
Attorney, Agent, or Firm—Harold H. Dutton, Jr.; W. Charles
L. Jamison; Diane F. Liebman

[21] Appl. No.: **37,580**

[57] **CLAIM**

[22] Filed: **Apr. 17, 1995**

The ornamental design for a slicing and weighing machine,
as shown.

[52] U.S. Cl. **D7/383**

[58] **Field of Search** D7/381, 383, 385;
D10/88, 87; 83/77, 522.11, 522.13, 522.14,
522.29; 177/25.15, 116, 120, 184, 238-242,
245, DIG. 3, DIG. 6; 241/220, 282.1

DESCRIPTION

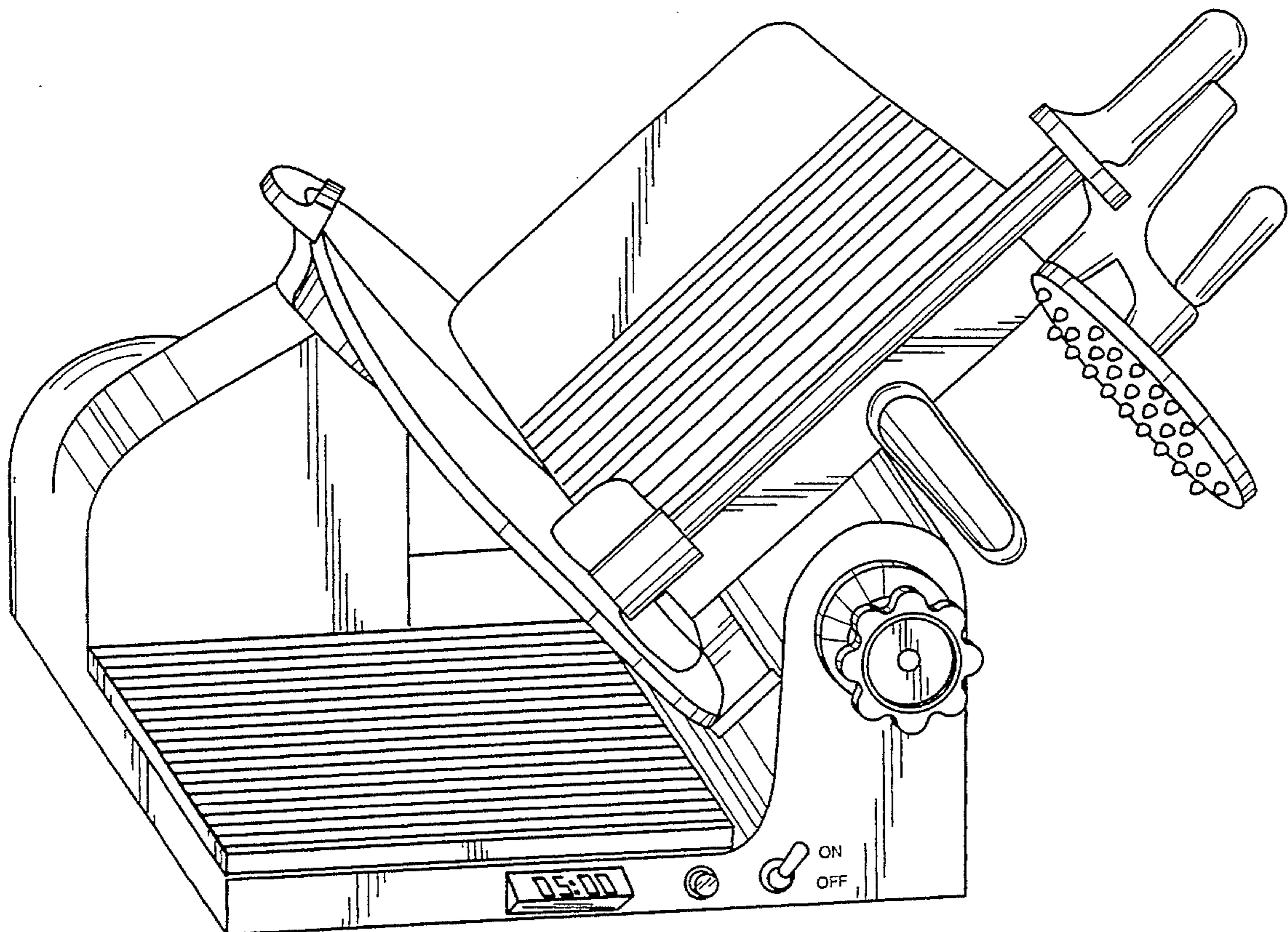
[56] **References Cited**

U.S. PATENT DOCUMENTS

D. 145,406	8/1946	Meyer	D7/383
3,452,833	7/1969	Wolters	83/77 X
3,894,457	7/1975	Miller et al.	177/120 X
3,938,602	2/1976	Sly et al.	83/77 X

FIG. 1 is a front perspective view of a slicing and weighing machine showing my new design;
FIG. 2 is a rear view thereof;
FIG. 3 is a right side view thereof;
FIG. 4 is a left side view thereof;
FIG. 5 is a top view thereof; and,
FIG. 6 is a bottom view thereof.

1 Claim, 5 Drawing Sheets



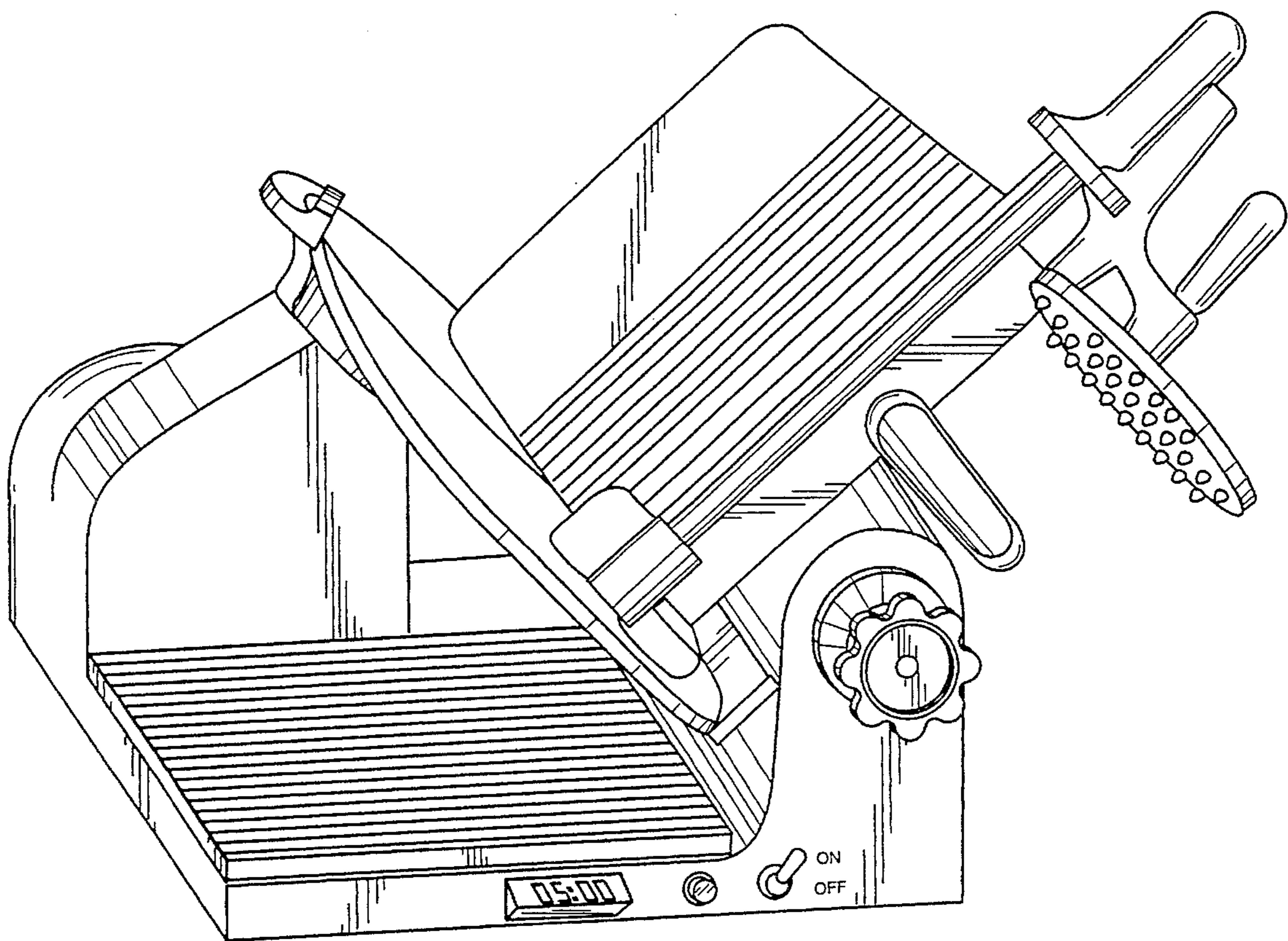


FIG. 1

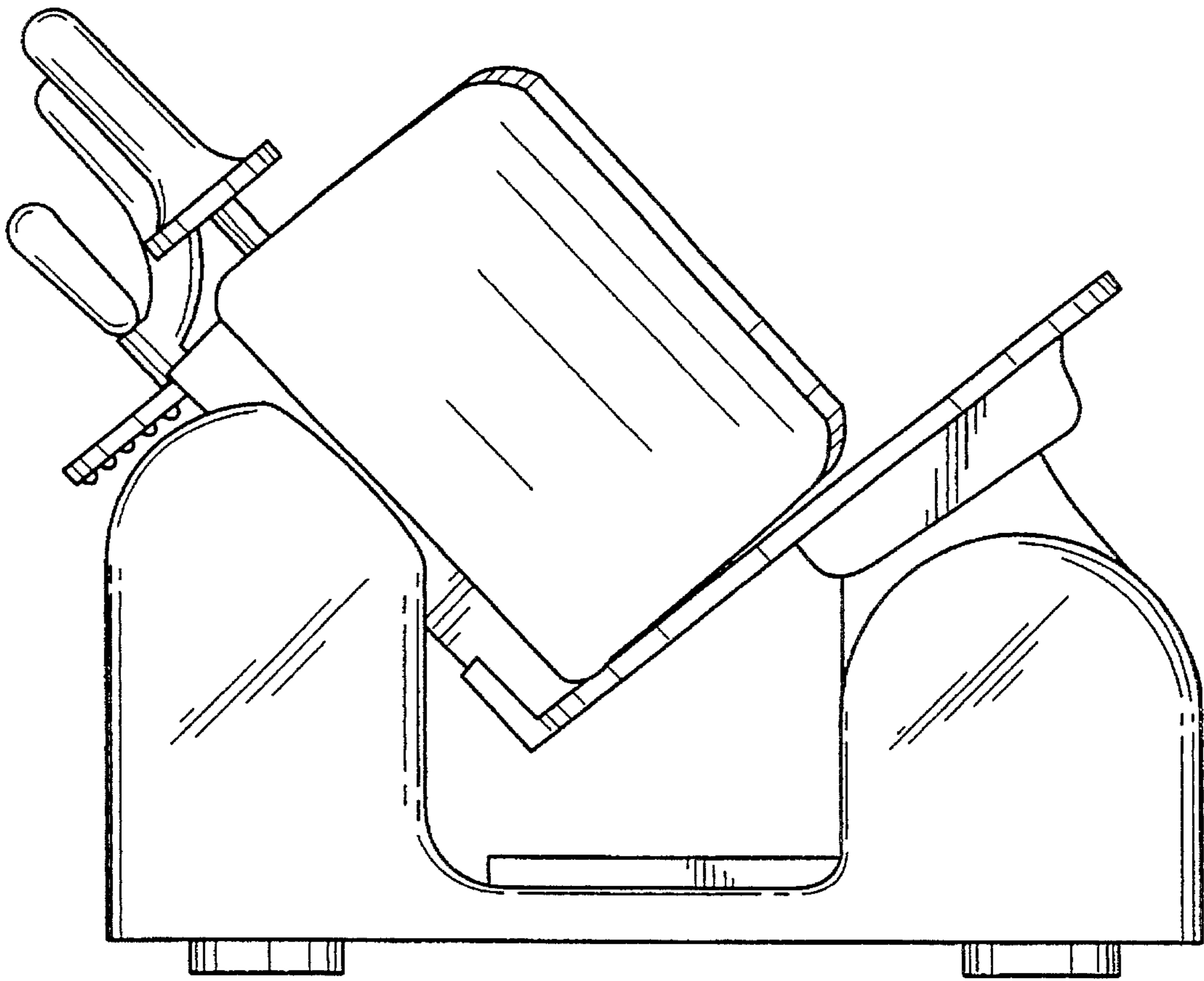


FIG. 2

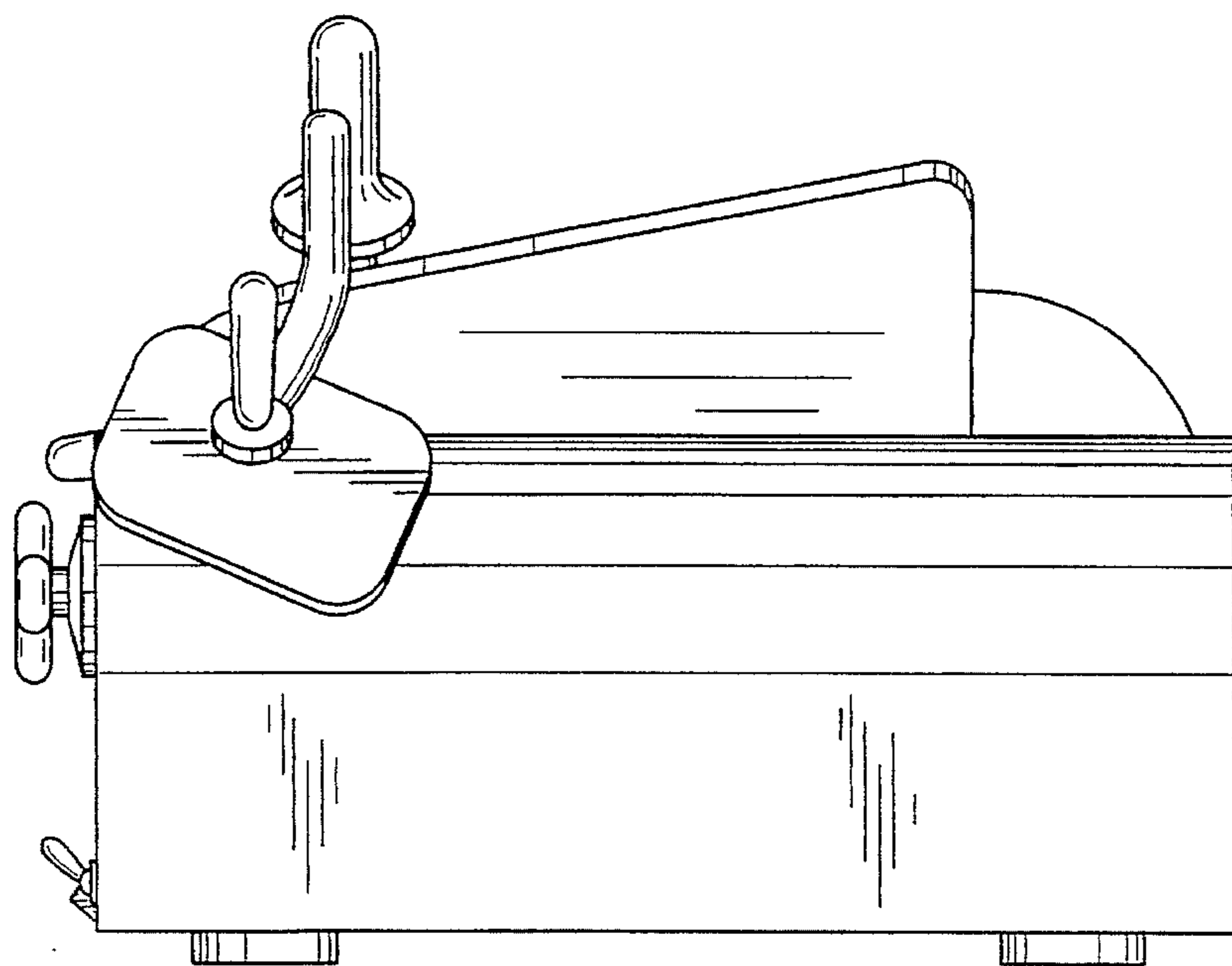


FIG. 3

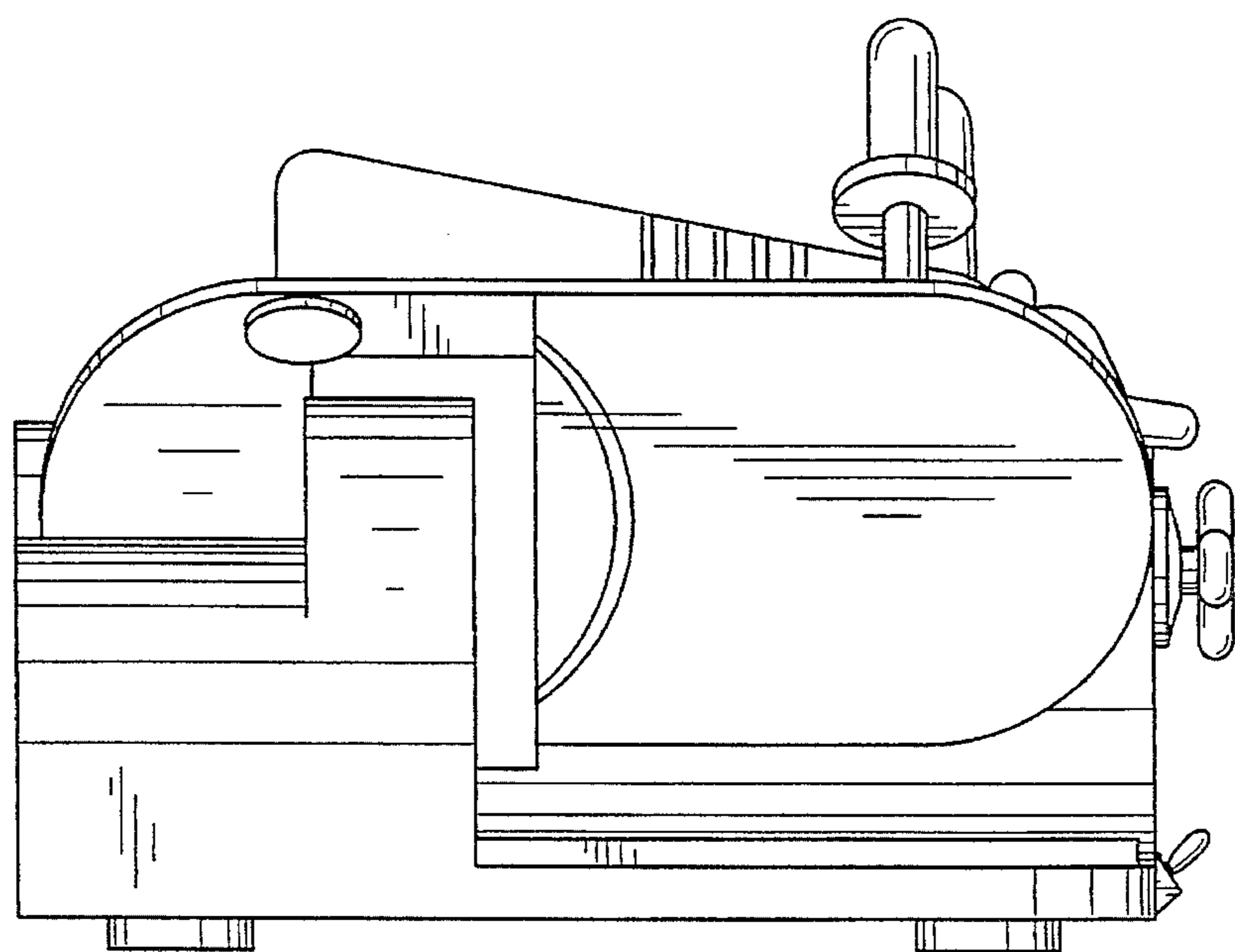


FIG. 4

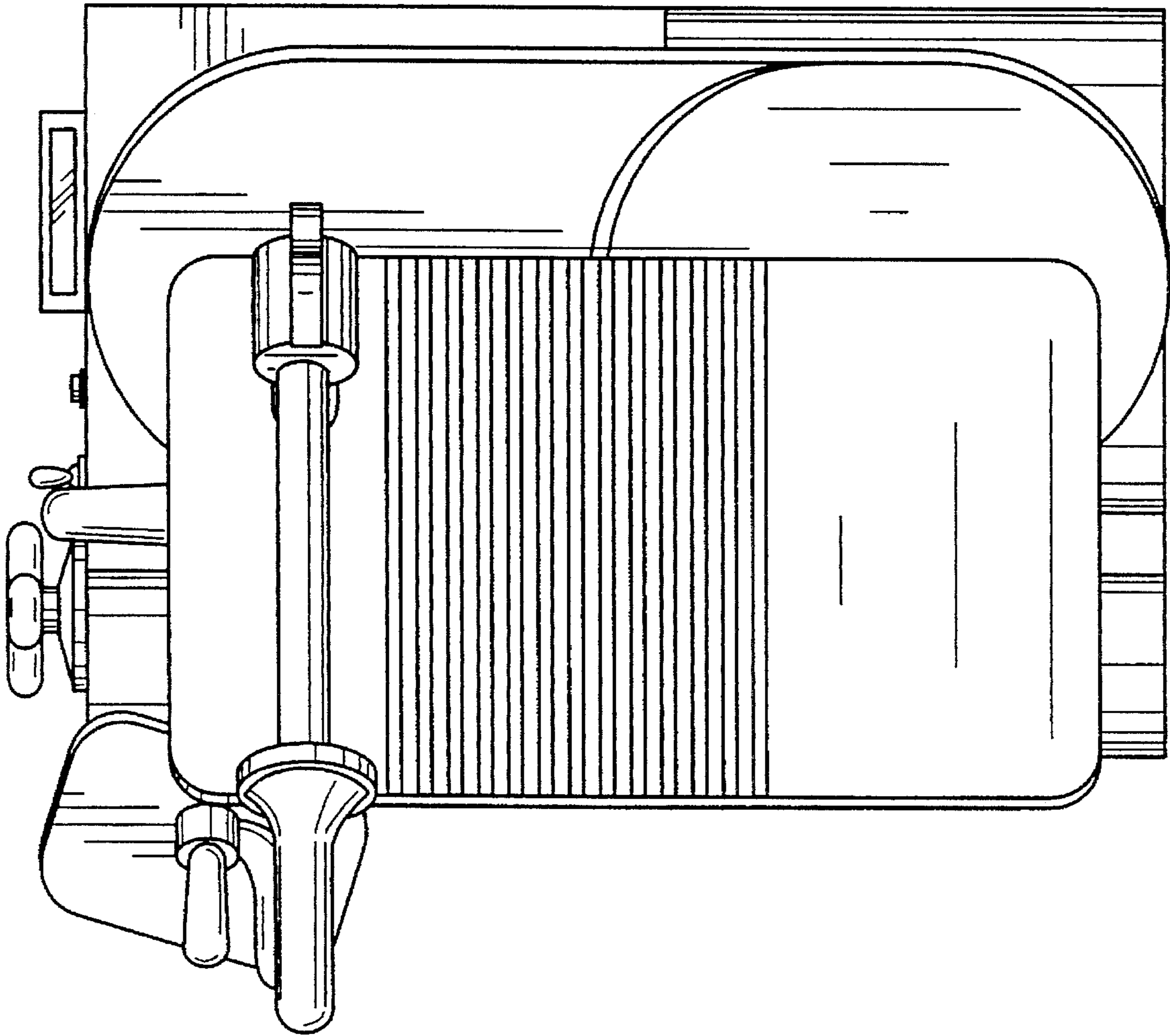


FIG. 5

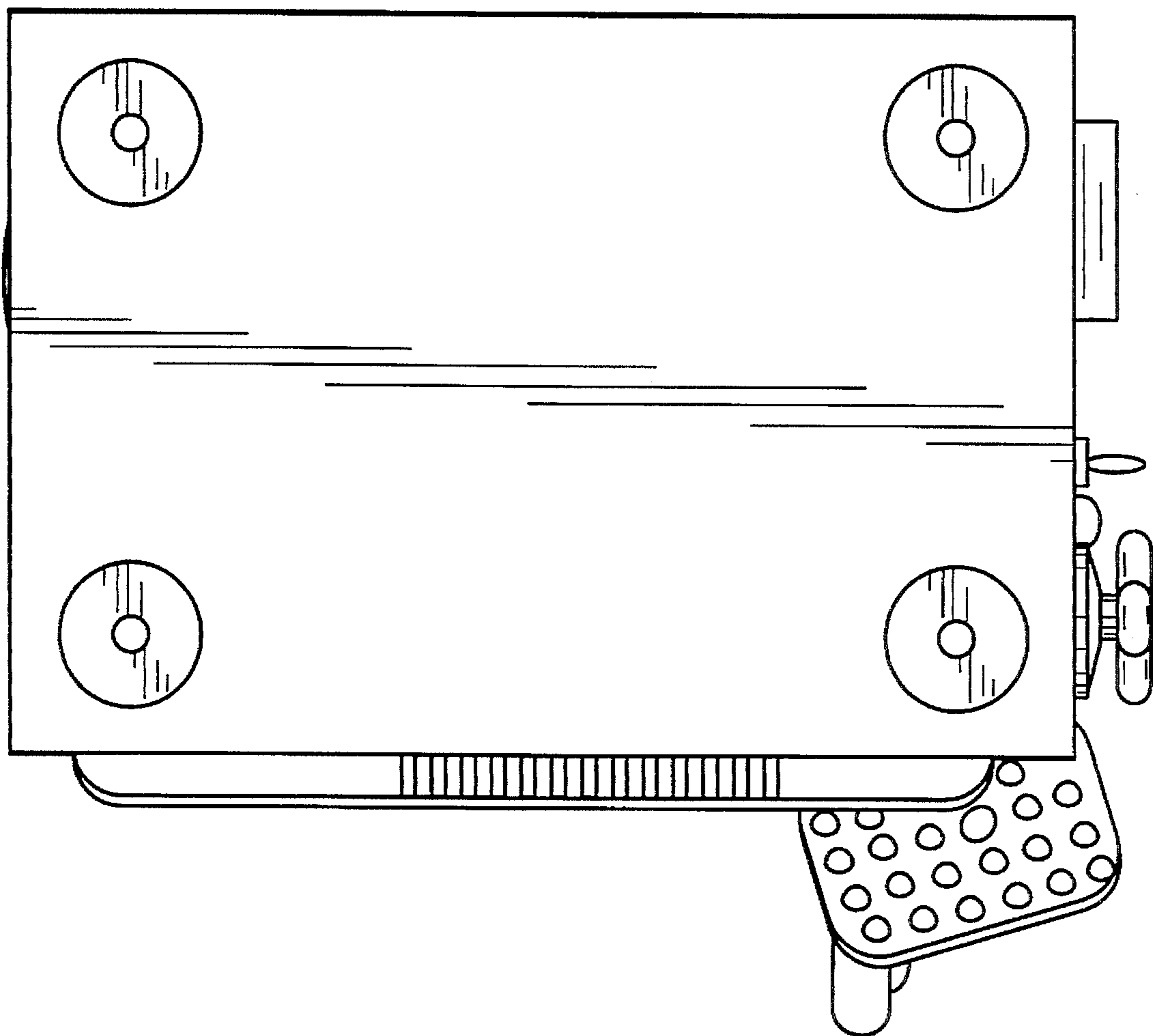


FIG. 6