



US00D372630S

United States Patent [19]

[11] Patent Number: **Des. 372,630**

Lewis et al.

[45] Date of Patent: ****Aug. 13, 1996**

[54] **COOKTOP**

Attorney, Agent, or Firm—Lyon & Lyon

[75] Inventors: **Robert A. Lewis**, Alta Loma; **Harold Cole**, Monterey Park; **Alan Leukhardt**, La Verne; **Ray G. Smith**, Los Angeles, all of Calif.

[57] **CLAIM**

The ornamental design for a cooktop, as shown and described.

[73] Assignee: **Dacor**, Pasadena, Calif.

DESCRIPTION

[**] Term: **14 Years**

FIG. 1 is a perspective view of a first cooktop showing the design;

[21] Appl. No.: **22,855**

FIG. 2 is a plan view of the first cooktop of FIG. 1;

[22] Filed: **May 13, 1994**

FIG. 3 is a side elevation of the first cooktop of FIG. 1;

[52] U.S. Cl. **D7/346**

FIG. 4 is an end elevation of the first cooktop of FIG. 1;

[58] Field of Search D7/323, 346, 347, D7/348, 339, 340, 407; 126/39 R, 39 B, 38, 39 H

FIG. 5 is a perspective view of the first cooktop of FIG. 1 with one burner module and grate removed to receive other attachments;

[56] **References Cited**

FIG. 6 is a perspective view of a second cooktop showing the design;

U.S. PATENT DOCUMENTS

D. 193,232	7/1962	Brown	D7/346
D. 334,866	4/1993	Warren	D7/407
3,034,419	5/1962	Hillebrand et al.	126/39 H
3,592,180	7/1971	Kweller et al.	126/39 H
4,413,610	11/1983	Berlik	126/39 R
5,046,477	9/1991	Bennett et al.	126/39 B

FIG. 7 is a plan view of the second cooktop of FIG. 6;

OTHER PUBLICATIONS

Brochure entitled "Dacor is cooking on all six".

FIG. 8 is a side elevation of the second cooktop of FIG. 6;

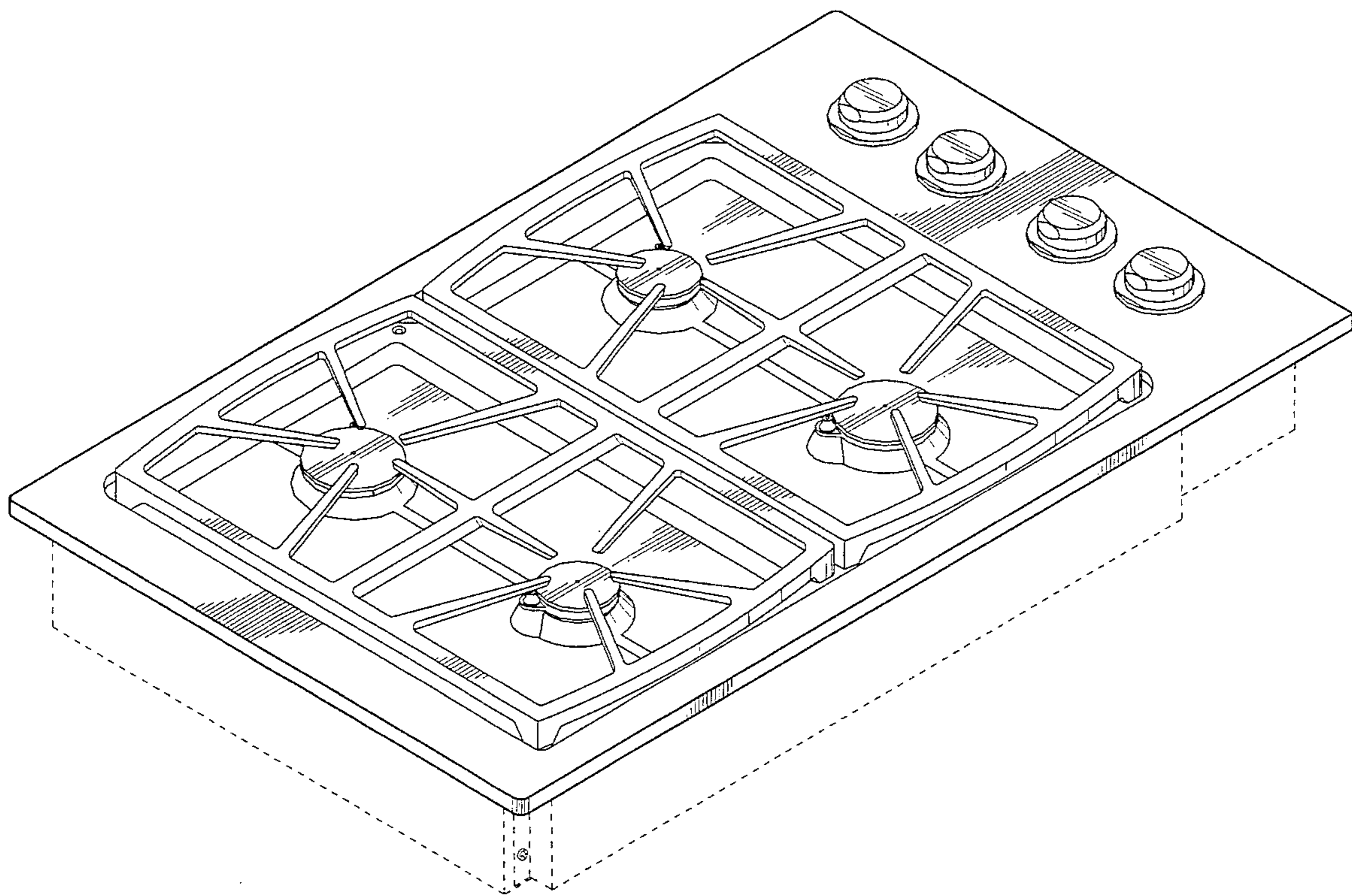
FIG. 9 is an end elevation of the second cooktop of FIG. 6; and,

FIG. 10 is a perspective view of the second cooktop of FIG. 6 with one burner module and grate removed to receive other attachments.

Primary Examiner—B. J. Bullock
Assistant Examiner—Linda Brooks

The cooktops are intended to be built in and the underside is not part of the design and is shown in phantom. The back side not illustrated is a mirror image of the front side in each instance.

1 Claim, 6 Drawing Sheets



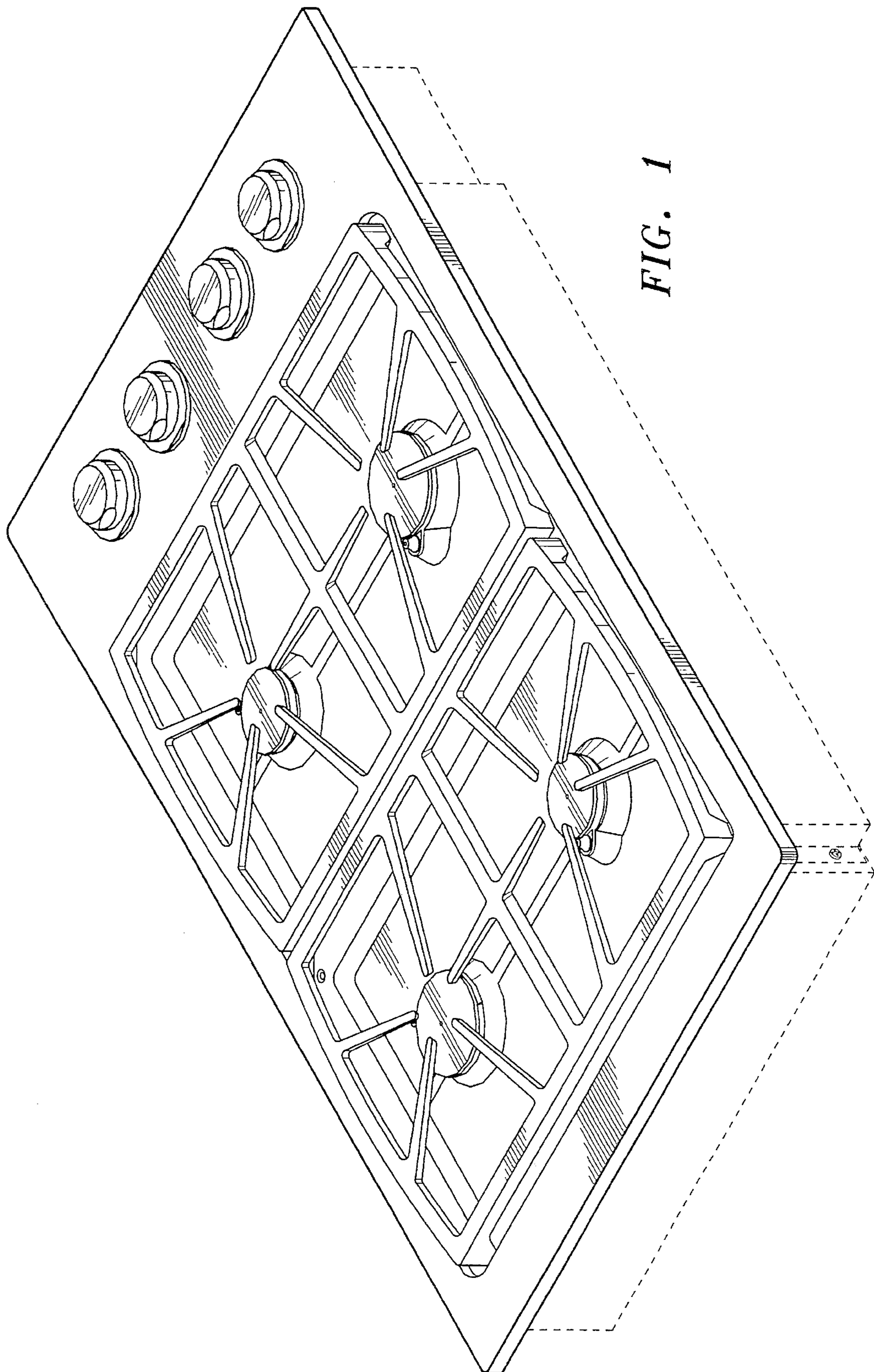


FIG. 1

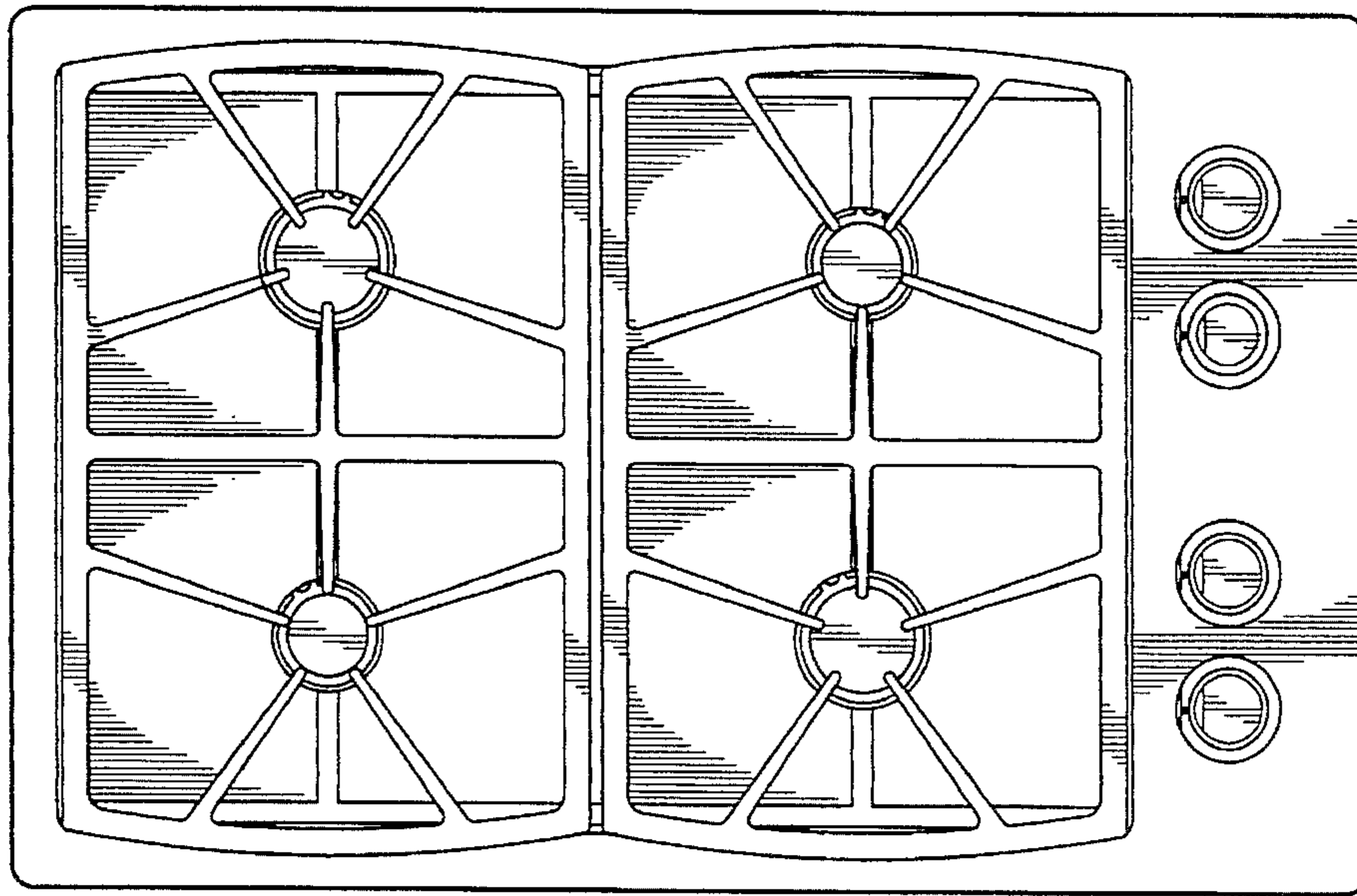


FIG. 2

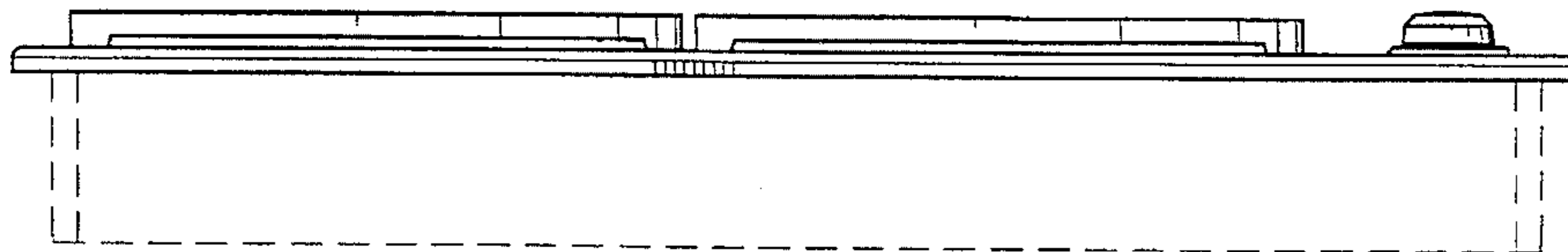


FIG. 3

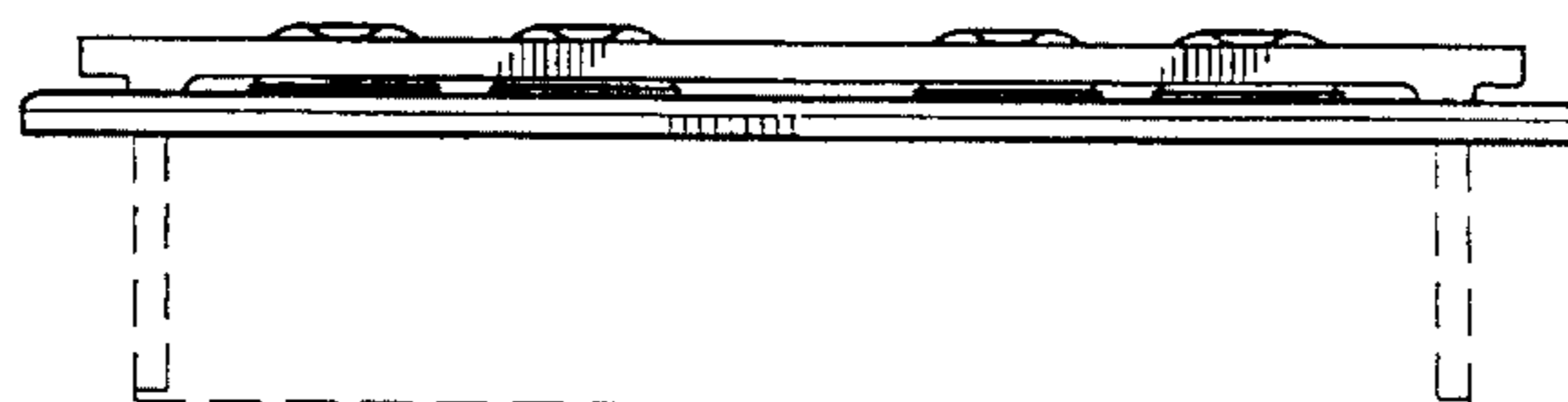


FIG. 4

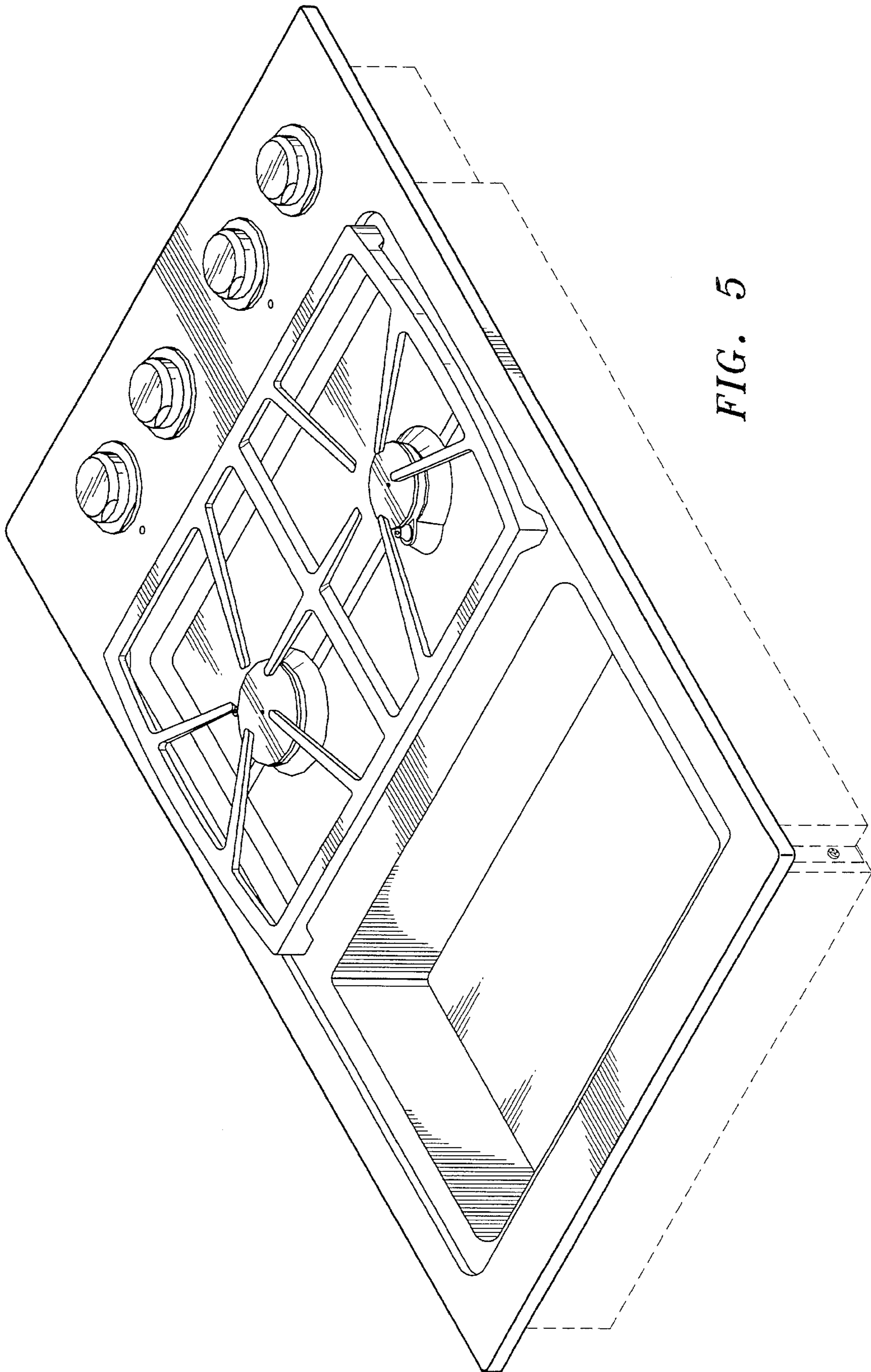


FIG. 5

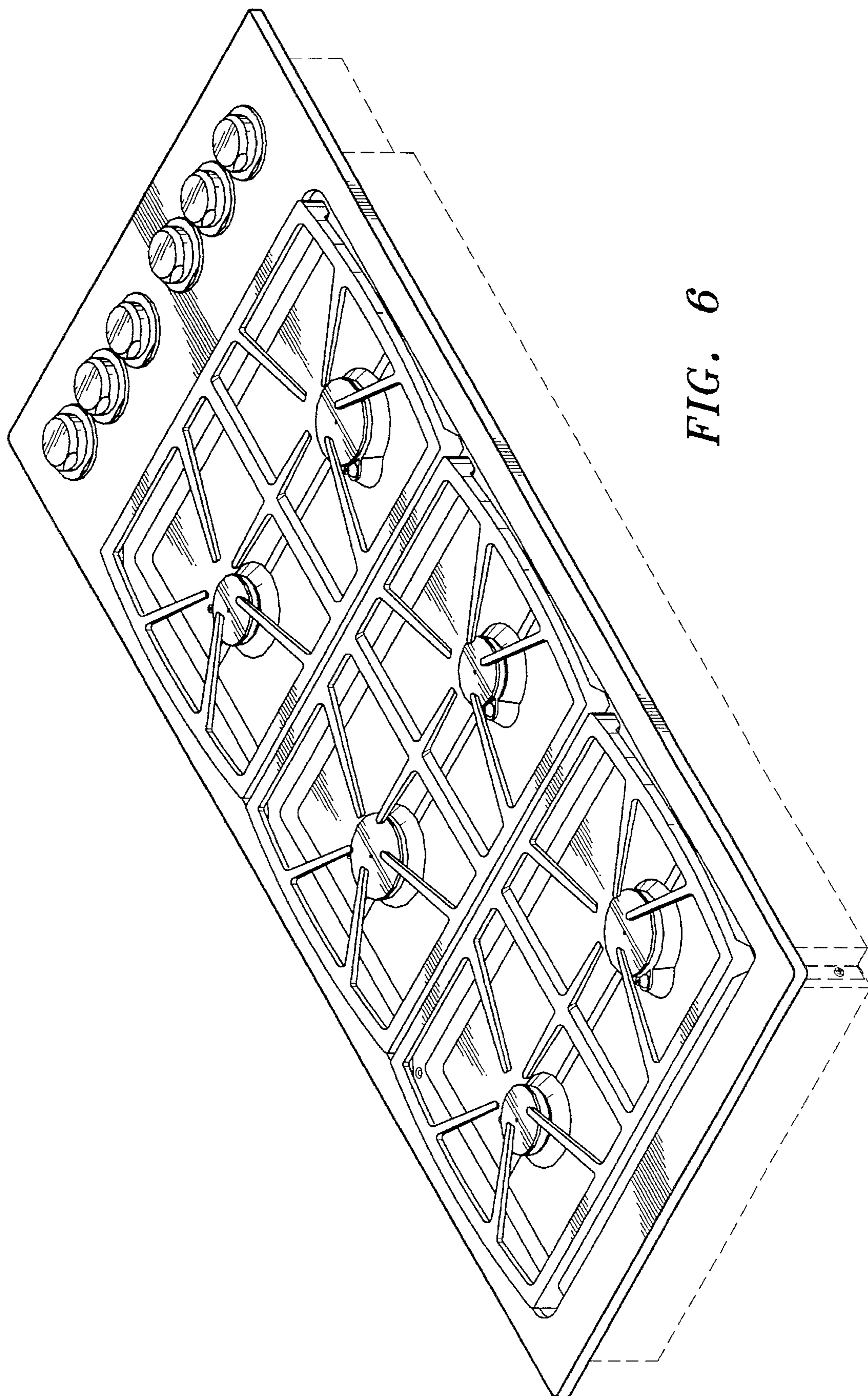


FIG. 6

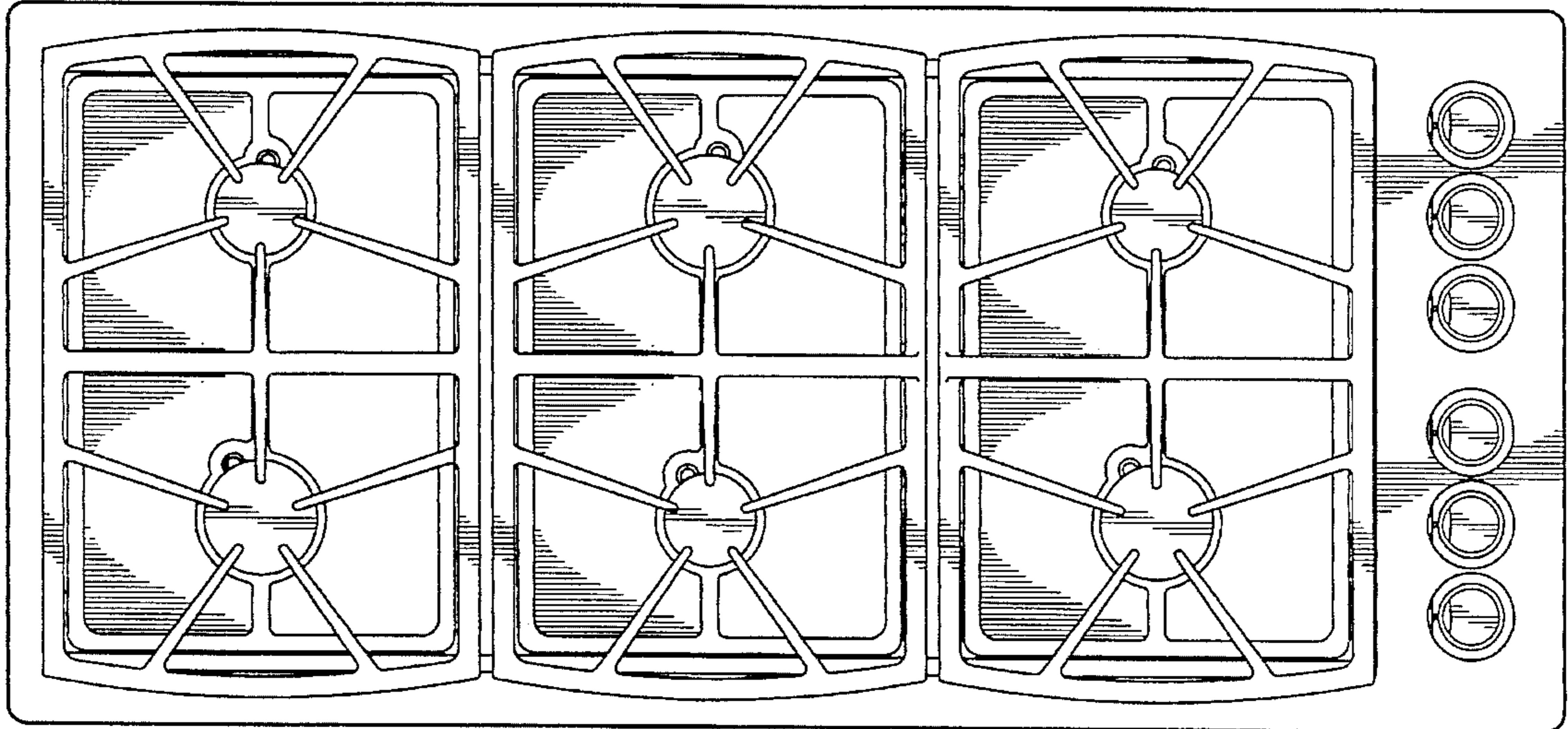


FIG. 7

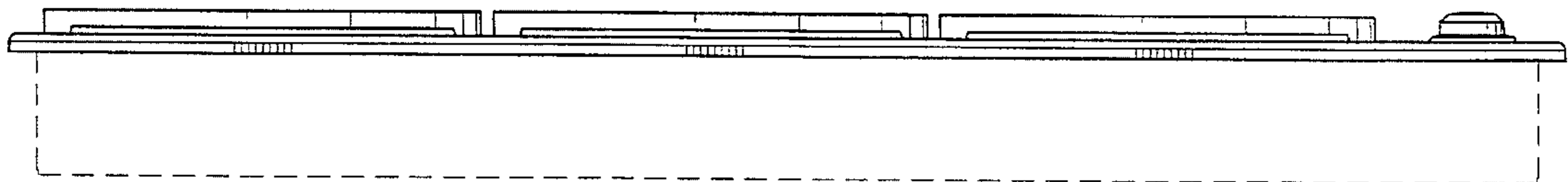


FIG. 8

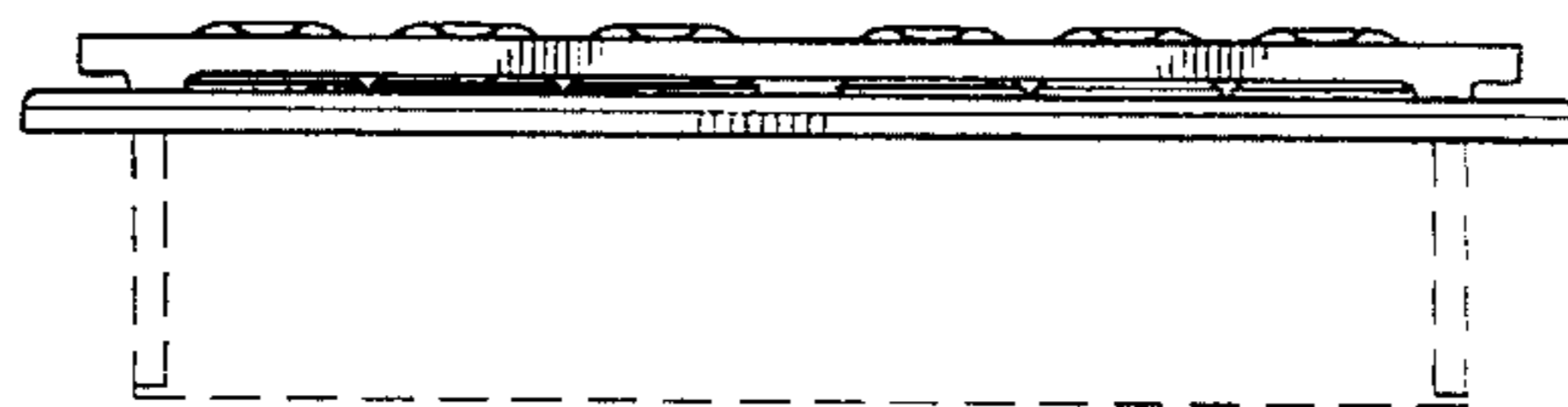


FIG. 9

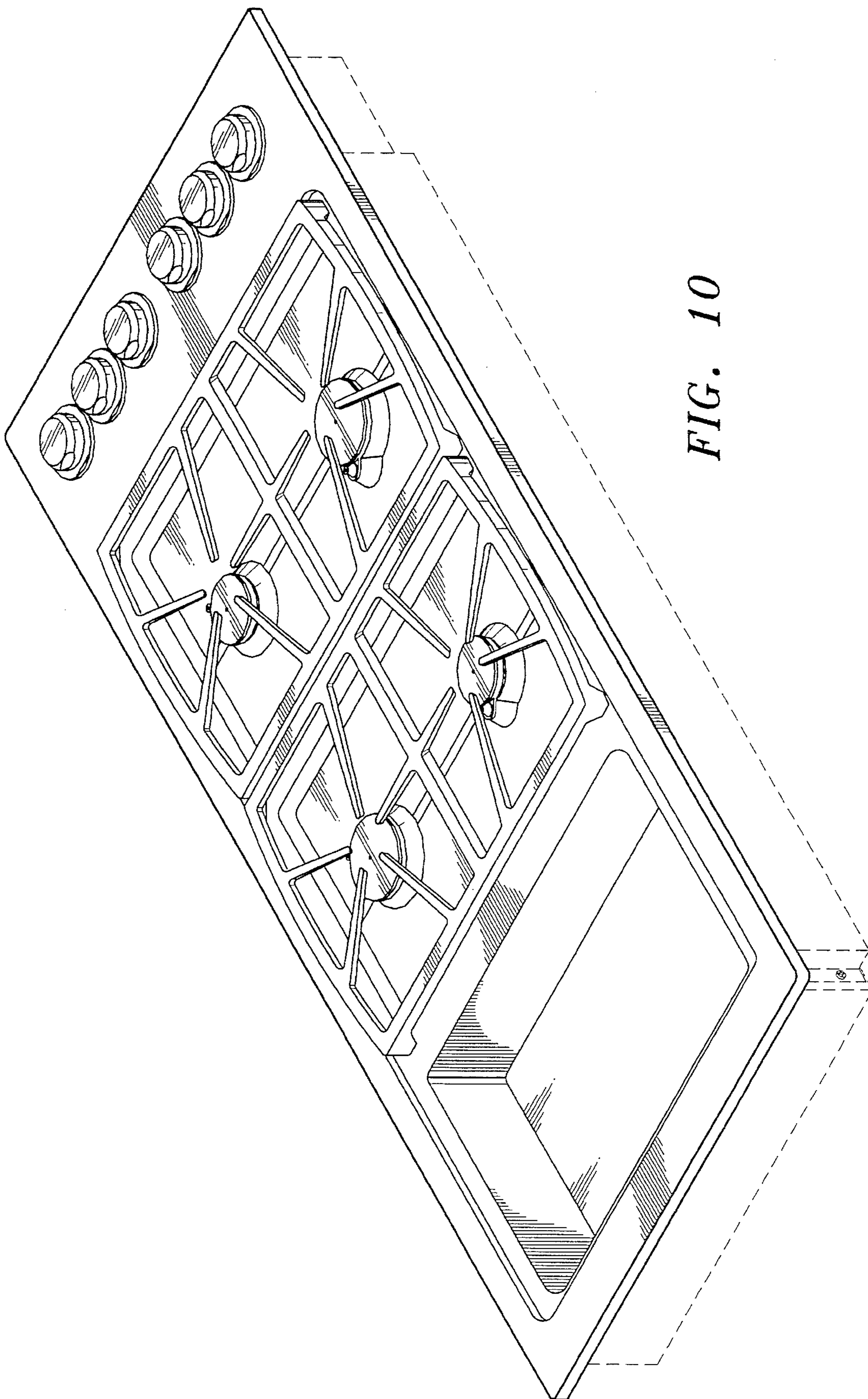


FIG. 10