



US00D372625S

**United States Patent** [19]  
**Forsén**

[11] **Patent Number: Des. 372,625**

[45] **Date of Patent: \*\*Aug. 13, 1996**

[54] **DRINK DISPENSER**

[75] Inventor: **Kent Forsén**, Kullavik, Sweden

[73] Assignee: **Primulator AB**, Sweden

[\*\*] Term: **14 Years**

[21] Appl. No.: **42,598**

[22] Filed: **Aug. 14, 1995**

[30] **Foreign Application Priority Data**

Feb. 14, 1995 [SE] Sweden ..... SE 950291

[52] **U.S. Cl.** ..... **D7/308; D7/300; D7/307**

[58] **Field of Search** ..... D7/300, 305, 306,  
D7/307, 308, 309, 310, 311, 387, 507,  
511; 222/129.1, 129.2, 129.3, 129.4

[56] **References Cited**

**U.S. PATENT DOCUMENTS**

D. 259,725	6/1981	Wasserstrom et al. ....	D7/308
D. 261,269	10/1981	Cornett .....	D7/307
D. 287,688	1/1987	Mortimer .....	D7/307
D. 288,516	3/1987	Mortimer .....	D7/307

D. 301,193	5/1989	Schechter et al. ....	D7/308
2,707,588	5/1955	Amberg .....	D7/511 X
3,133,662	5/1964	Seidler .....	D7/511 X
5,433,348	7/1995	Deering et al. ....	222/129.1

**OTHER PUBLICATIONS**

Beverage Dispenser, Food Service Equipment Specialist (middle/right) Apr. 1989, p. 86.

*Primary Examiner*—M. N. Pandozzi

*Attorney, Agent, or Firm*—D. Peter Hochberg; Mark Kusner; Michael Jaffe

[57] **CLAIM**

The ornamental design for a drink dispenser, as shown and described.

**DESCRIPTION**

FIG. 1 is a top front perspective view of a drink dispenser showing my new design;

FIG. 2 is a top rear perspective view thereof;

FIG. 3 is a top side perspective view thereof; and,

FIG. 4 is a top plan view thereof.

**1 Claim, 3 Drawing Sheets**

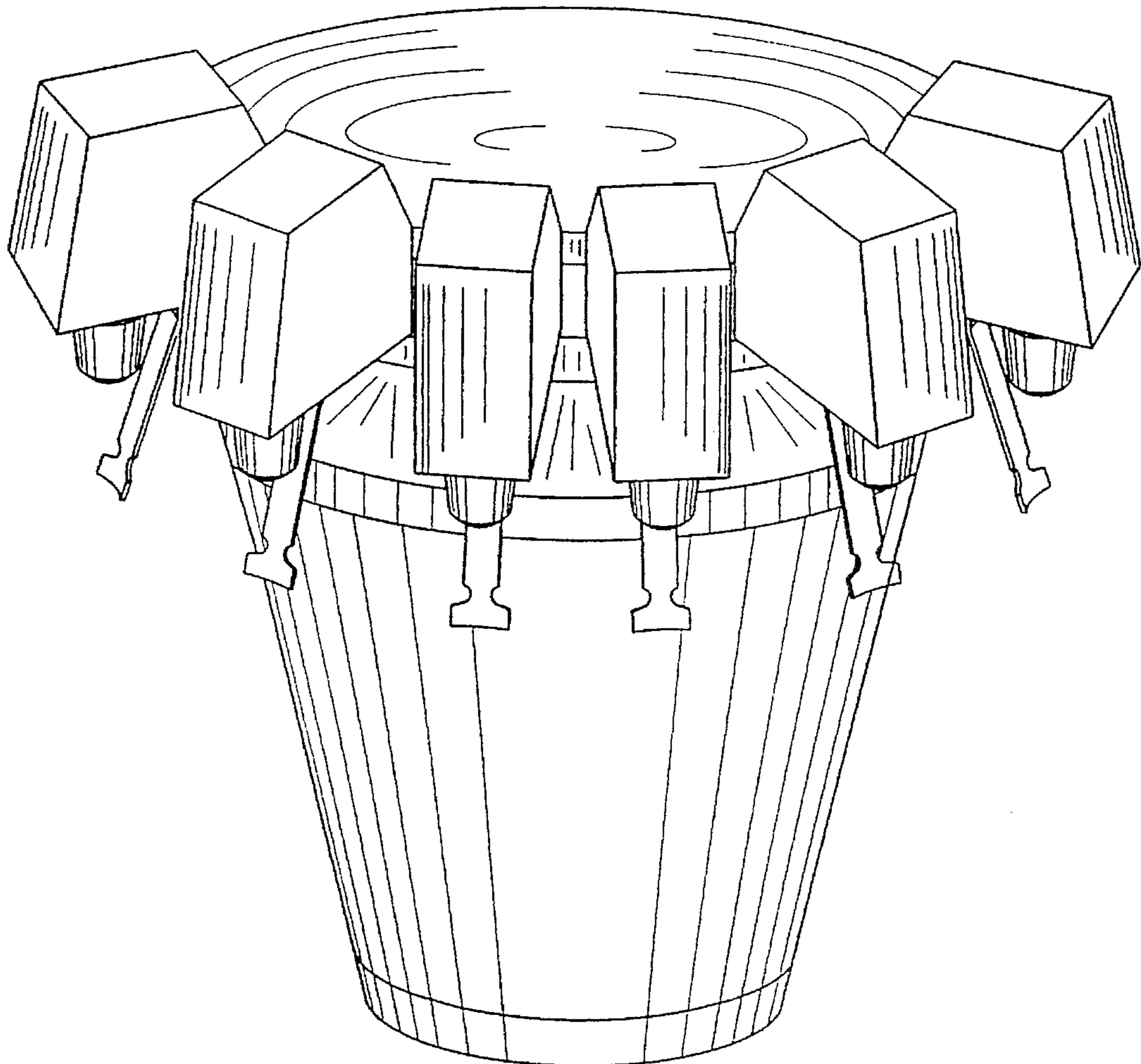


FIG. 1

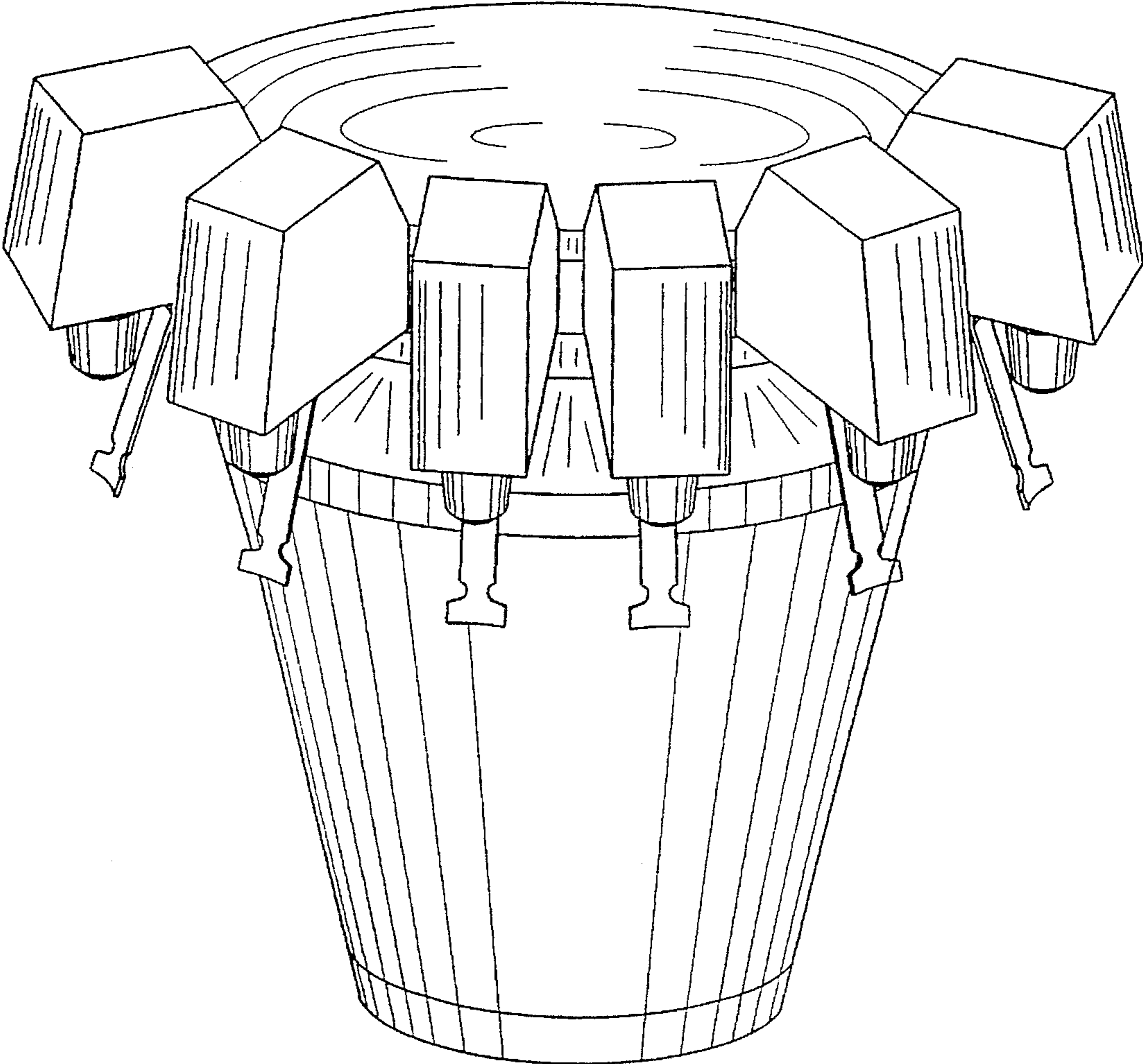


FIG. 2

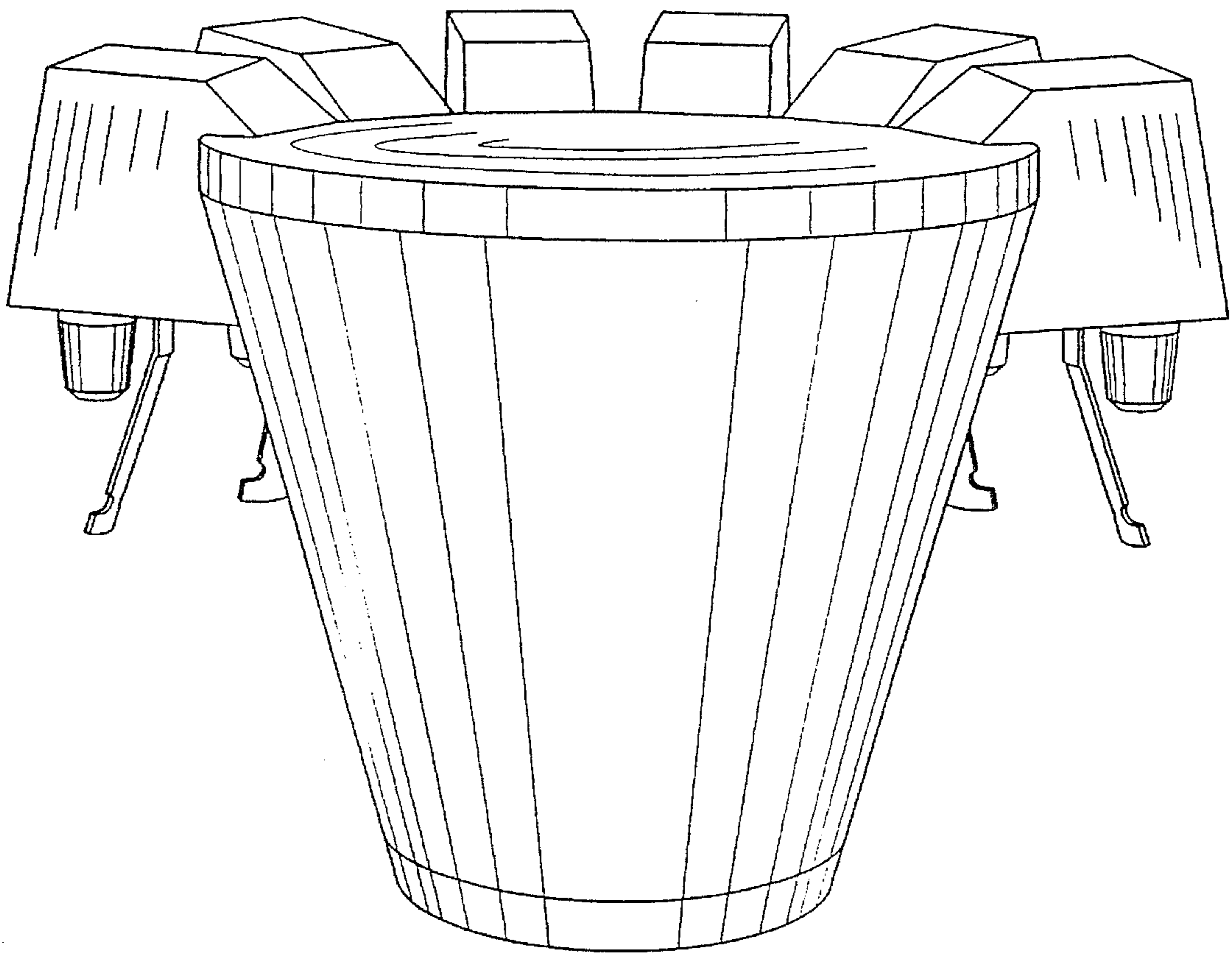


FIG. 3

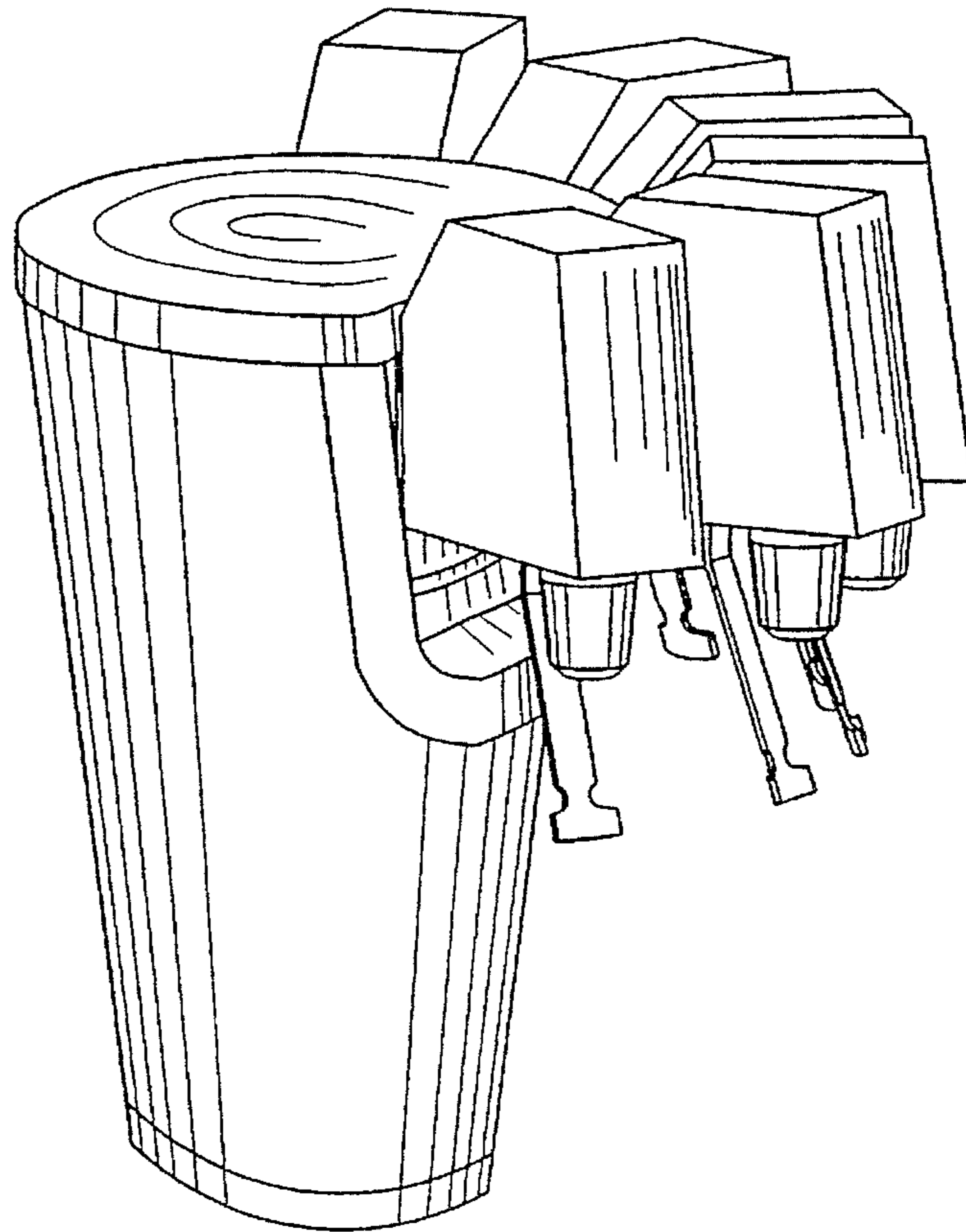


FIG. 4

