



US00D372623S

United States Patent [19]

Alves et al.

[11] Patent Number: **Des. 372,623**

[45] Date of Patent: ****Aug. 13, 1996**

[54] **COMPACT DISC ORGANIZER**
[75] Inventors: **Roger J. Alves**, Simi Valley; **Roy Nimpoeno**, Monterey Park, both of Calif.

4,781,409 11/1988 Harbison .
4,844,311 7/1989 Kalen .
4,921,027 5/1990 Scheunemann 206/425 X
5,165,544 11/1992 Gusenoff et al. 206/313 X
5,330,085 7/1994 Horensky et al. .

[73] Assignee: **Scosche Industries, Inc.**, Moorpark, Calif.

[**] Term: **14 Years**

FOREIGN PATENT DOCUMENTS

62-180566 11/1987 Japan .
1148913 10/1989 Japan .
329494 3/1991 Japan .
4136915 12/1992 Japan .
568746 9/1993 Japan .

[21] Appl. No.: **34,514**

[22] Filed: **Feb. 6, 1995**

[52] U.S. Cl. **D6/630**; D6/629; D12/417

[58] Field of Search D6/407, 626-635, D6/448, 468; D12/417, 191; D3/207, 218, 249, 304; D19/26, 74-76; D9/432, 424-425; 206/307, 307.1-308.1, 308.3, 309-313, 366.1, 387.1, 408, 411, 425, 45.2, 45.23

Primary Examiner—James M. Gandy
Assistant Examiner—Stacia Sinuik
Attorney, Agent, or Firm—William W. Haefliger

[57] CLAIM

The ornamental design for a compact disc organizer, as shown and described.

[56] References Cited

U.S. PATENT DOCUMENTS

D. 189,713 2/1961 Brandt .
D. 208,252 8/1967 Standard .
D. 343,514 1/1994 Underwood, Jr. .
D. 362,159 9/1995 Singh D12/417 X
D. 366,588 1/1996 Gnant D6/630
2,181,324 11/1939 Glover .
2,486,096 10/1949 Axford et al. .
2,655,299 10/1953 Pfeifer et al. .
2,726,757 12/1955 Kellstrom .
4,273,277 6/1981 Stone .
4,285,554 8/1981 Bell et al. 224/312
4,651,872 3/1987 Joyce 206/45.2 X

DESCRIPTION

FIG. 1 is a perspective view showing the front design of the compact disc organizer;
FIG. 2 is a top end view of the FIG. 1 organizer;
FIG. 3 is a bottom end view of the FIG. 1 organizer;
FIG. 4 is a right end view of the FIG. 1 organizer;
FIG. 5 is a left end view of the FIG. 1 organizer;
FIG. 6 is a rear view of the FIG. 1 organizer; and,
FIG. 7 is a perspective view showing the organizer in a folded condition, attached to a vehicle sun visor, it being understood that the broken lines are for illustrative purposes only and form no part of the claim.

1 Claim, 2 Drawing Sheets

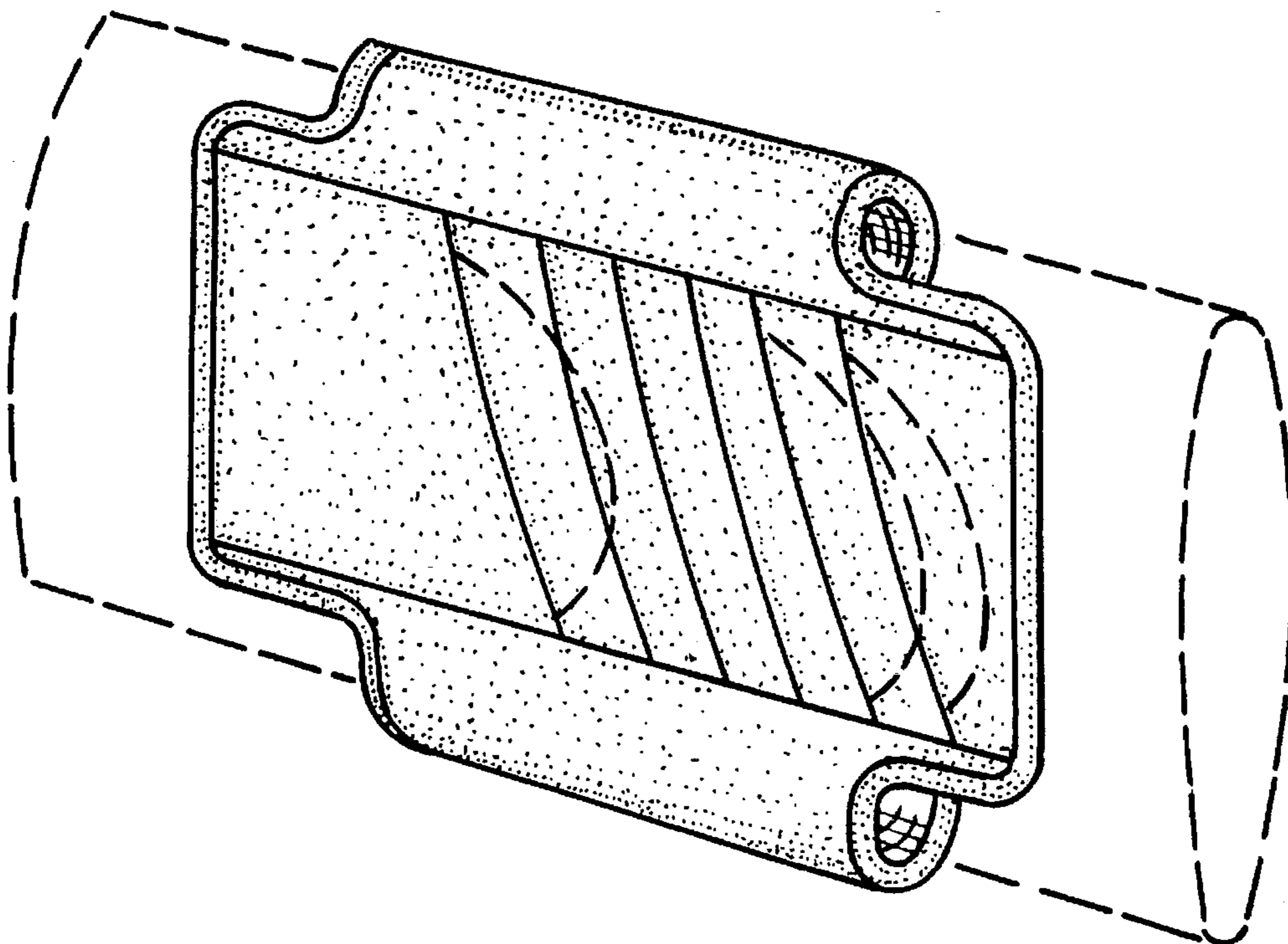


FIG. 1.

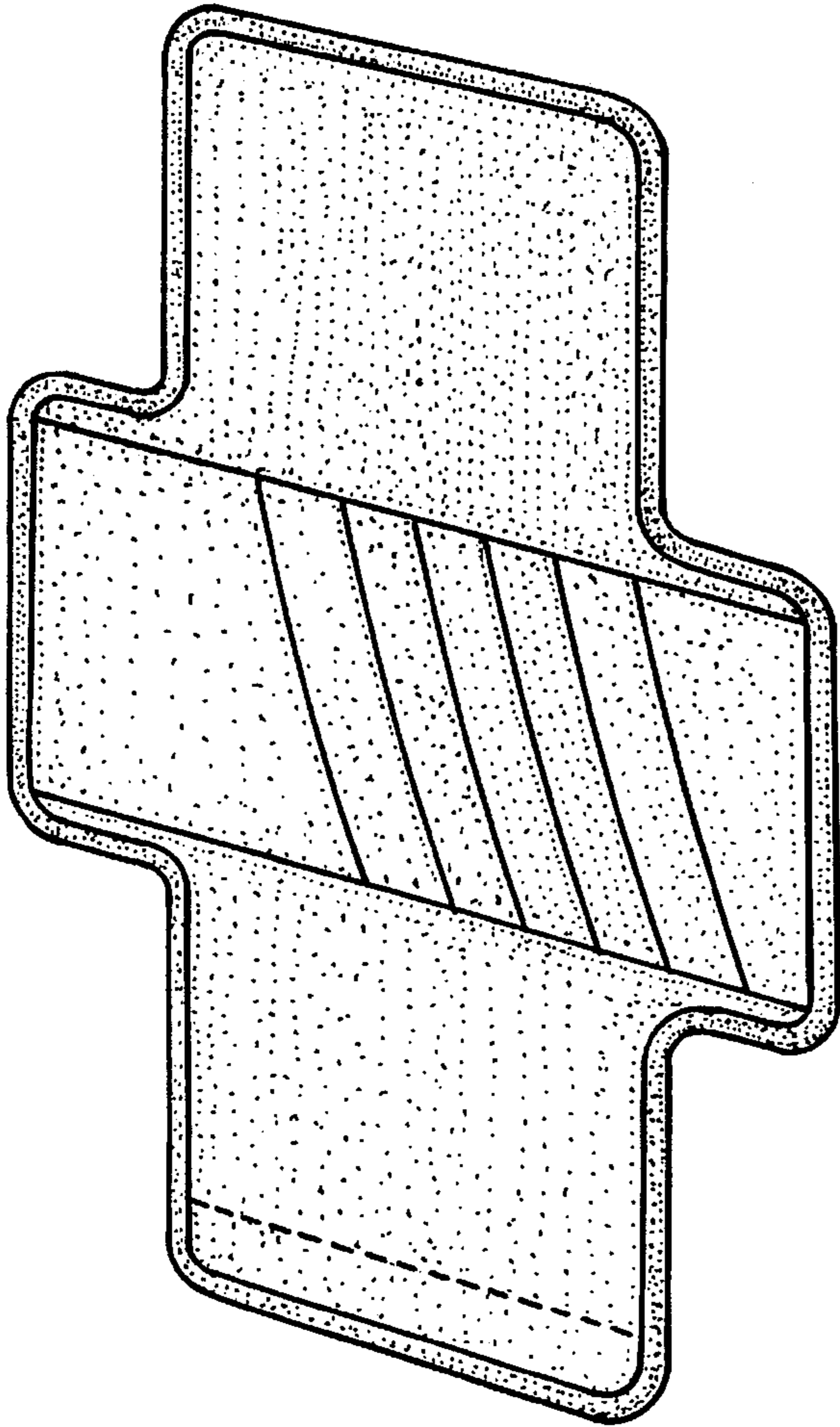


FIG. 4.



FIG. 2.



FIG. 3.

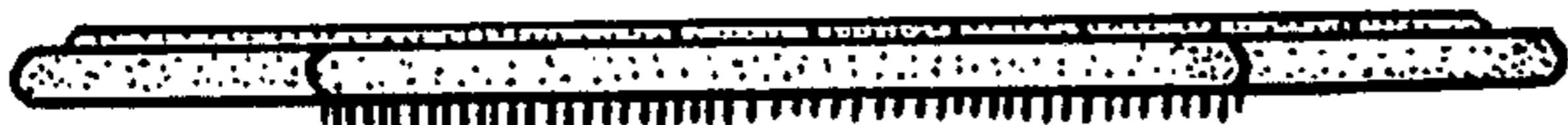


FIG. 6.

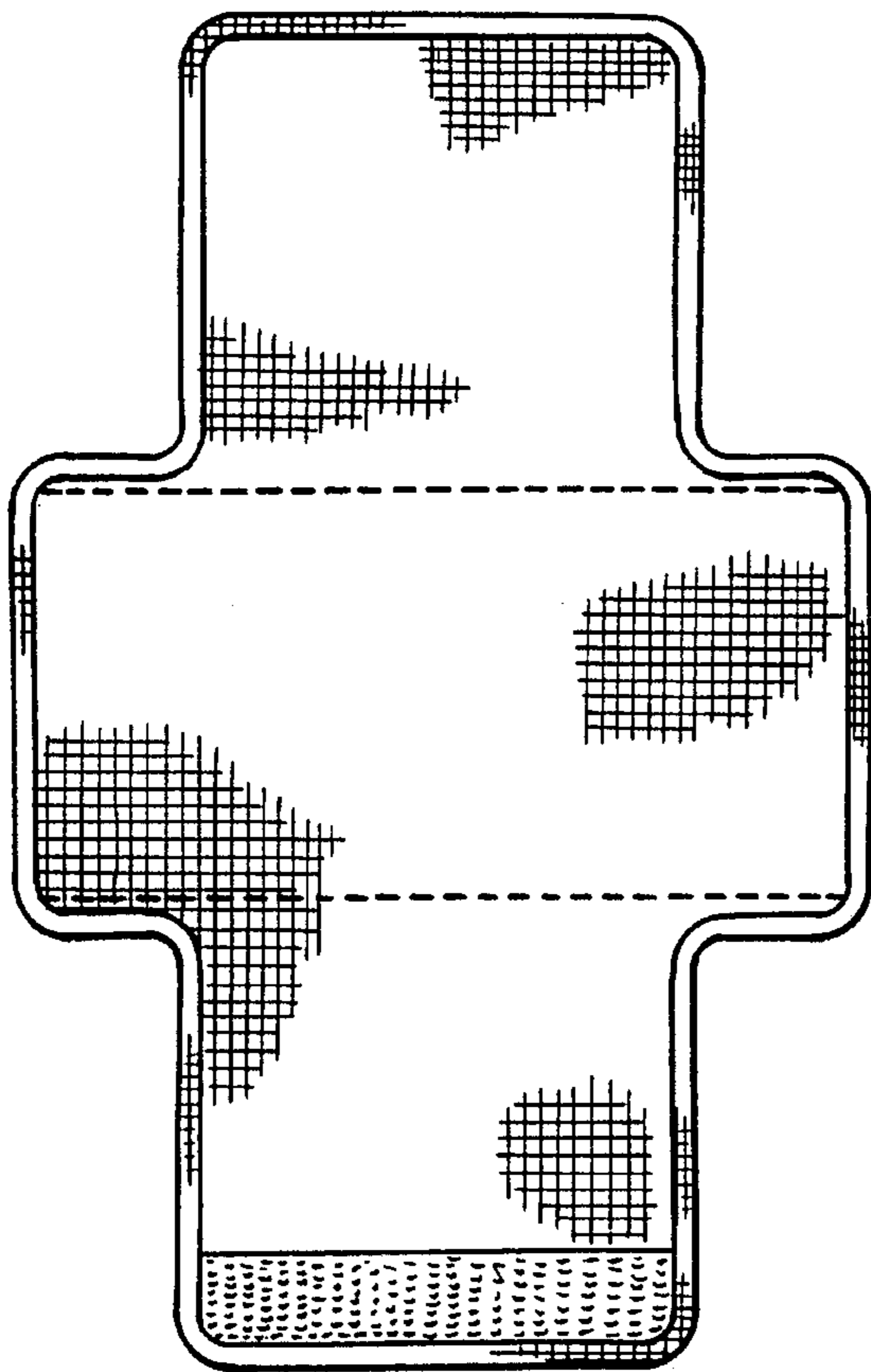


FIG. 5.



FIG. 7.

