



US00D372618S

# United States Patent [19]

Sulzer

[11] Patent Number: **Des. 372,618**

[45] Date of Patent: **\*\*Aug. 13, 1996**

[54] **SEAT AND BACKREST FOR A MEDICAL STOOL**

[75] Inventor: **James H. Sulzer**, Cedarburg, Wis.

[73] Assignee: **L&P Property Management Company**, Chicago, Ill.

[\*\*] Term: **14 Years**

[21] Appl. No.: **37,838**

[22] Filed: **Apr. 21, 1995**

[52] U.S. Cl. .... **D6/500**

[58] Field of Search ..... D6/334, 500-502, D6/368, 366; 297/452.33, 452.36

[56] **References Cited**

**U.S. PATENT DOCUMENTS**

- D. 47,897 9/1915 Ruggles .
- D. 120,375 5/1940 Cramer et al. .
- D. 127,977 7/1941 Shepherd .
- D. 233,710 11/1974 Fantoni .
- D. 267,680 1/1983 Leffler et al. .... D6/366
- D. 279,054 6/1985 Longley et al. .

- 279,637 6/1883 Comstock .
- D. 313,896 1/1991 Kaye ..... D6/365
- 828,079 8/1906 Williamson .
- 4,832,408 5/1989 Bertsch et al. .... 297/452.36
- 5,366,275 11/1994 Sulzer .

*Primary Examiner*—Janice E. Seeger  
*Attorney, Agent, or Firm*—Wood, Herron & Evans, P.L.L.

[57] **CLAIM**

The ornamental design for a seat and backrest for a medical stool, as shown and described.

**DESCRIPTION**

FIG. 1 is a perspective view of a seat and backrest for a medical stool, showing my new design; the broken lines are for environmental purposes only and form no part of the claimed design;

FIG. 2 is a side elevational view, the opposite side being a mirror image thereof;

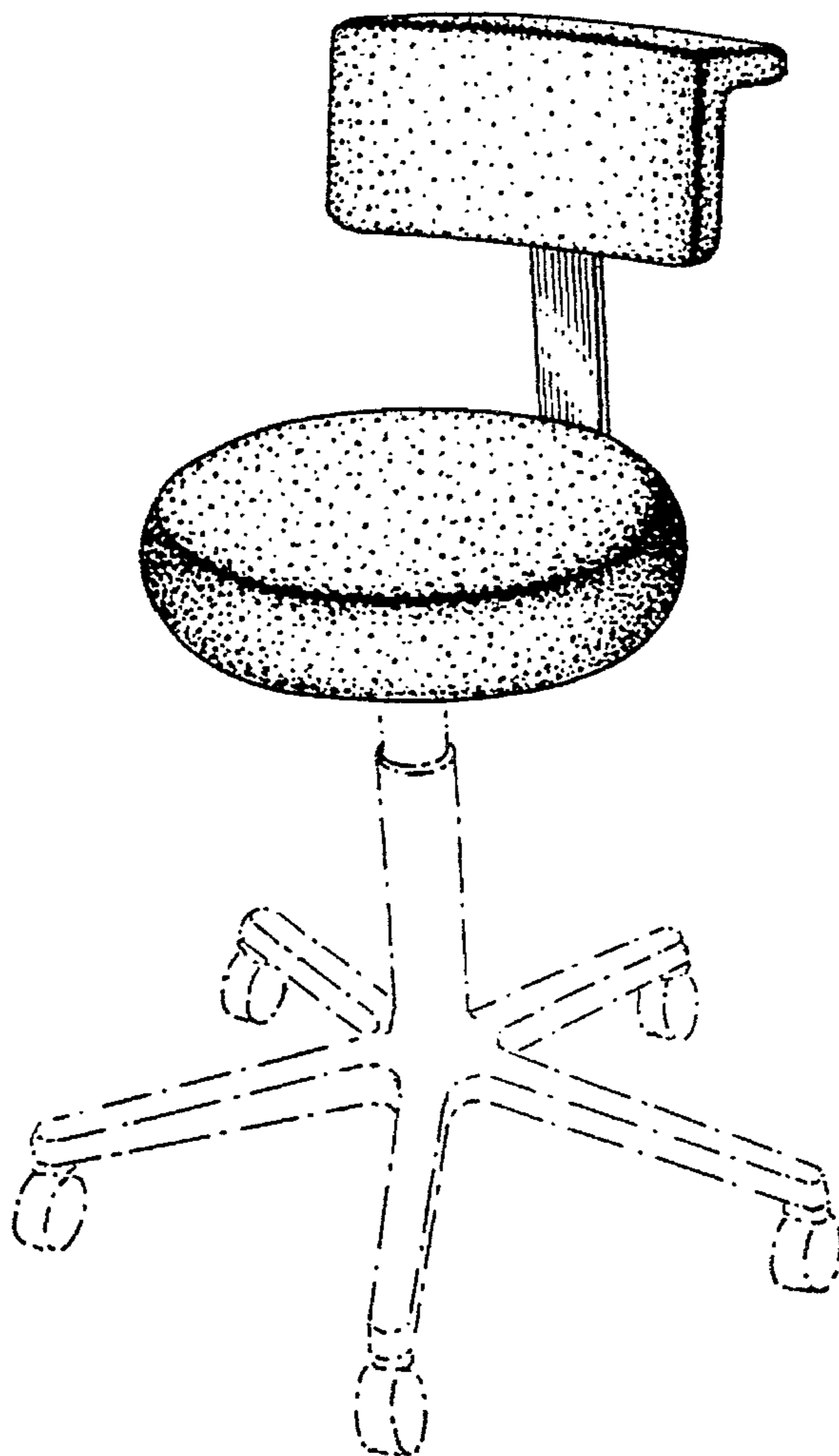
FIG. 3 is a top plan view thereof;

FIG. 4 is a front elevational view thereof;

FIG. 5 is a rear elevational view thereof; and,

FIG. 6 is a bottom plan view thereof.

**1 Claim, 1 Drawing Sheet**



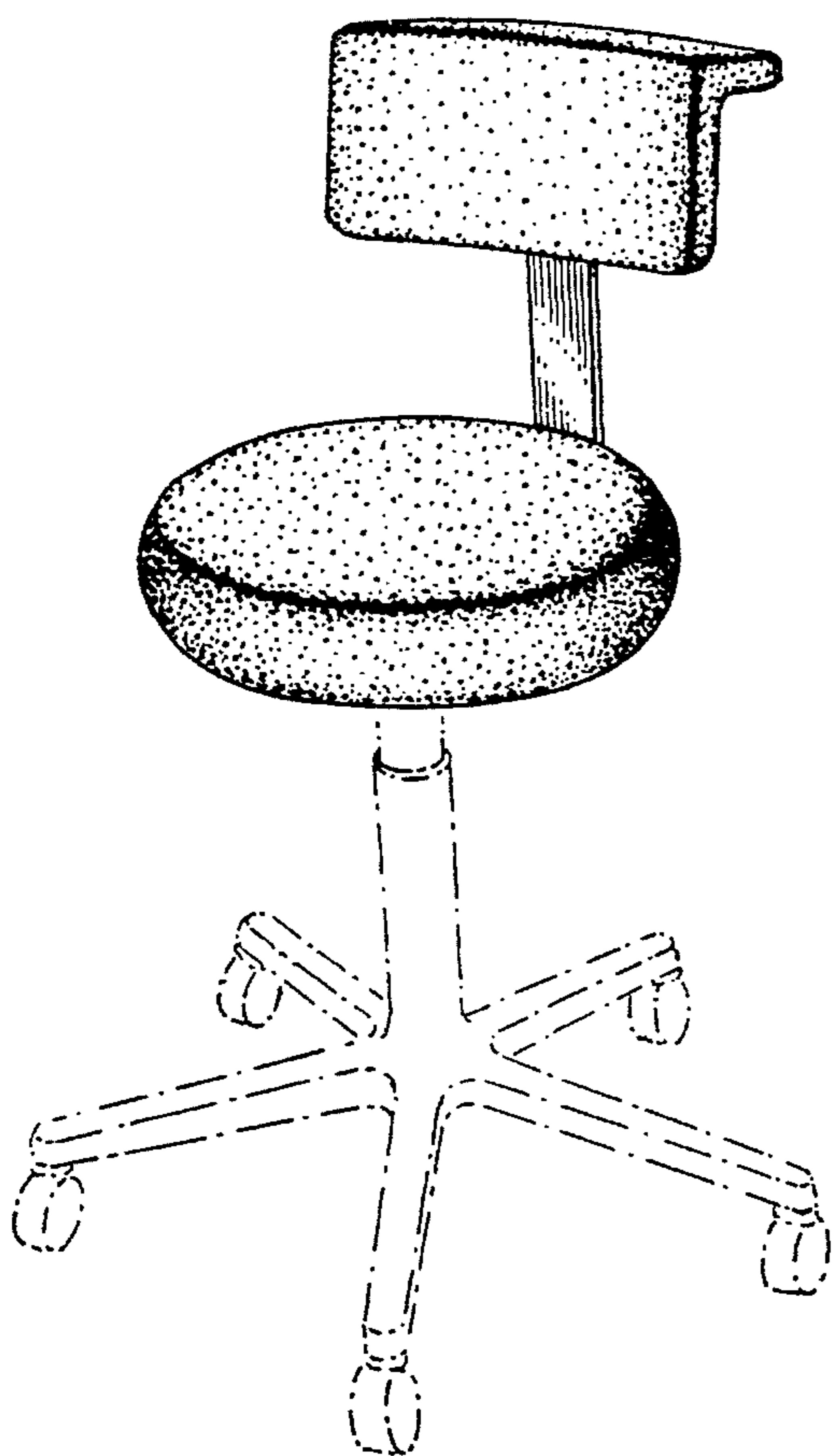


FIG. 1

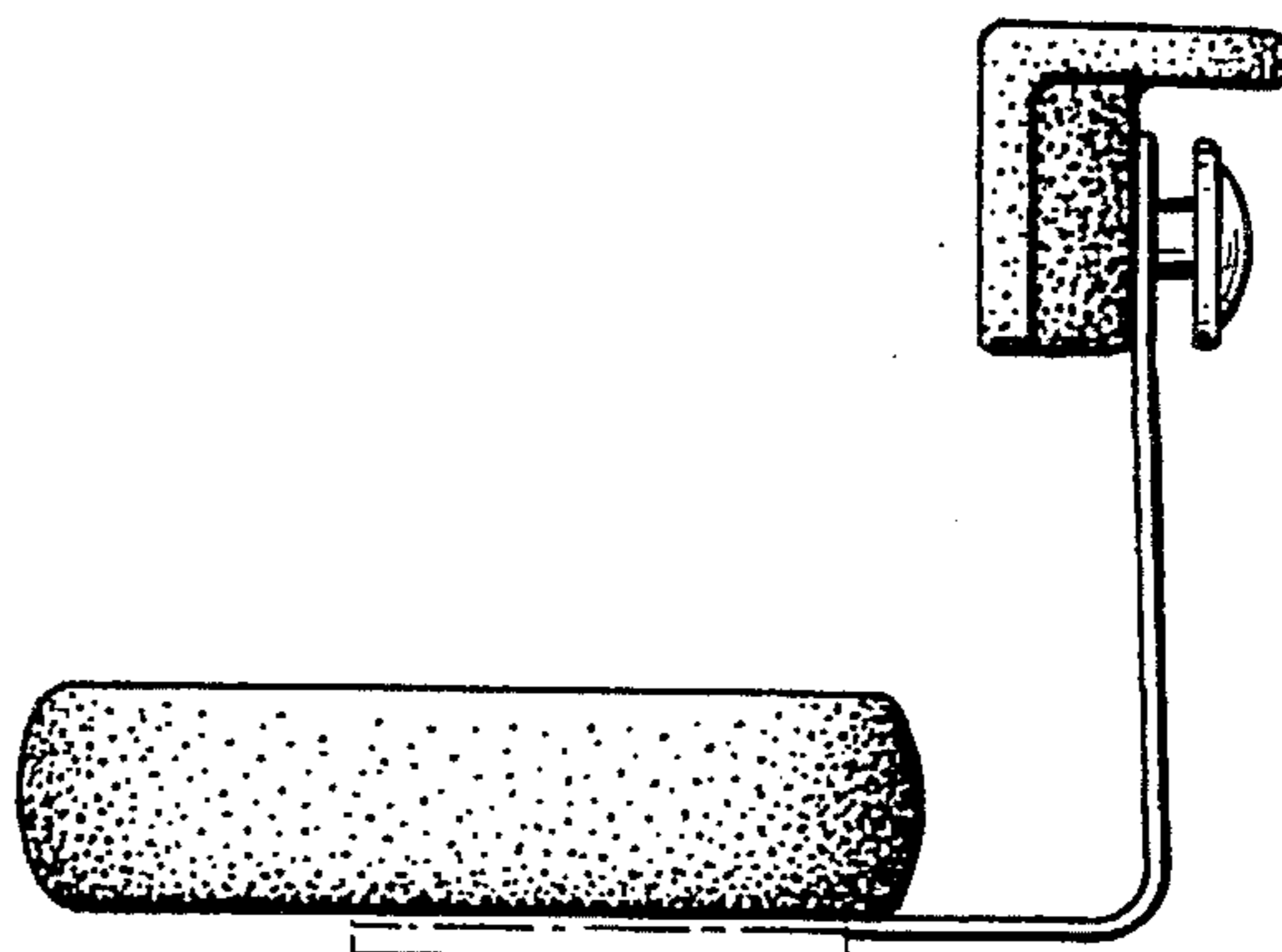


FIG. 2

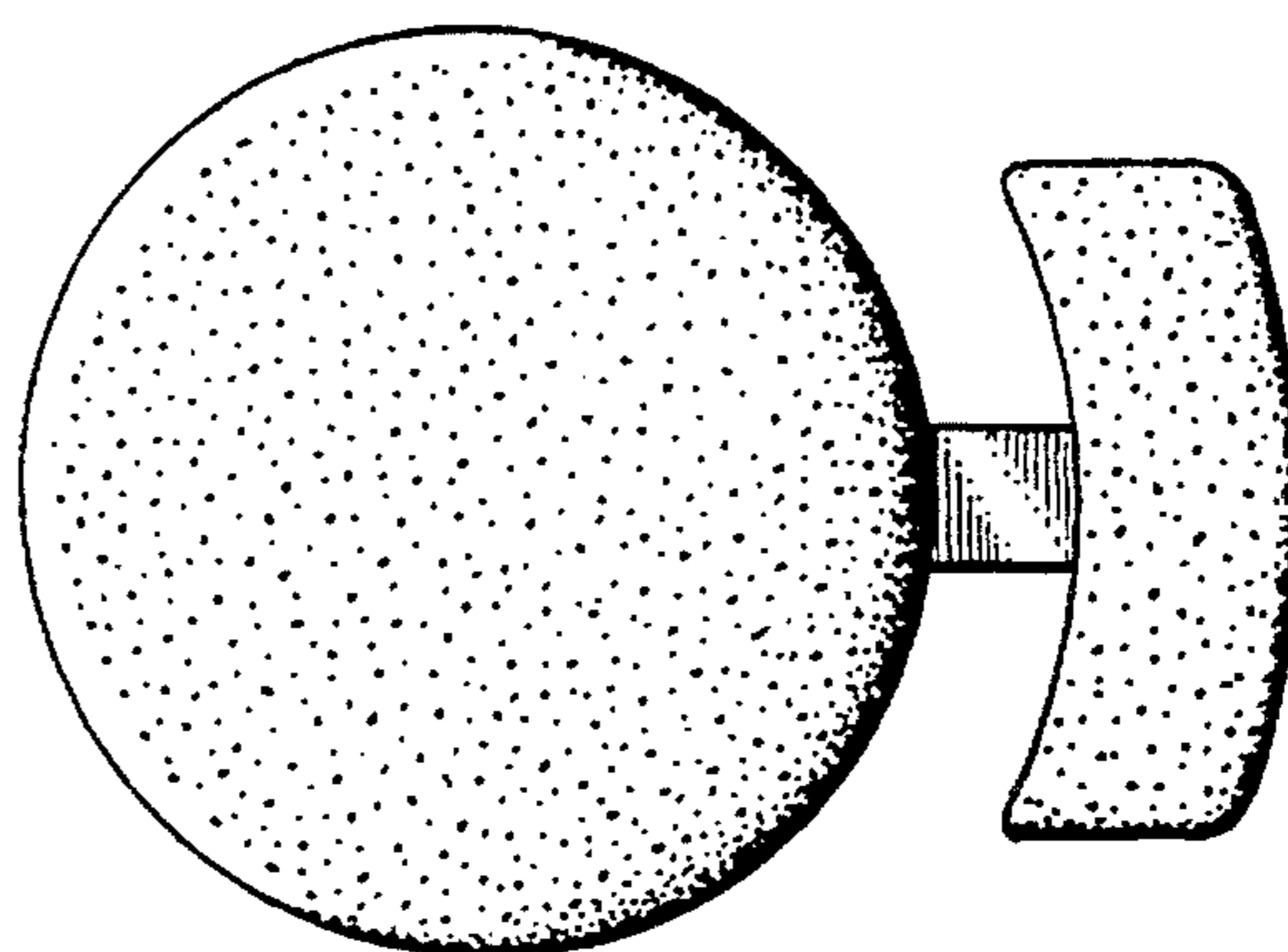


FIG. 3

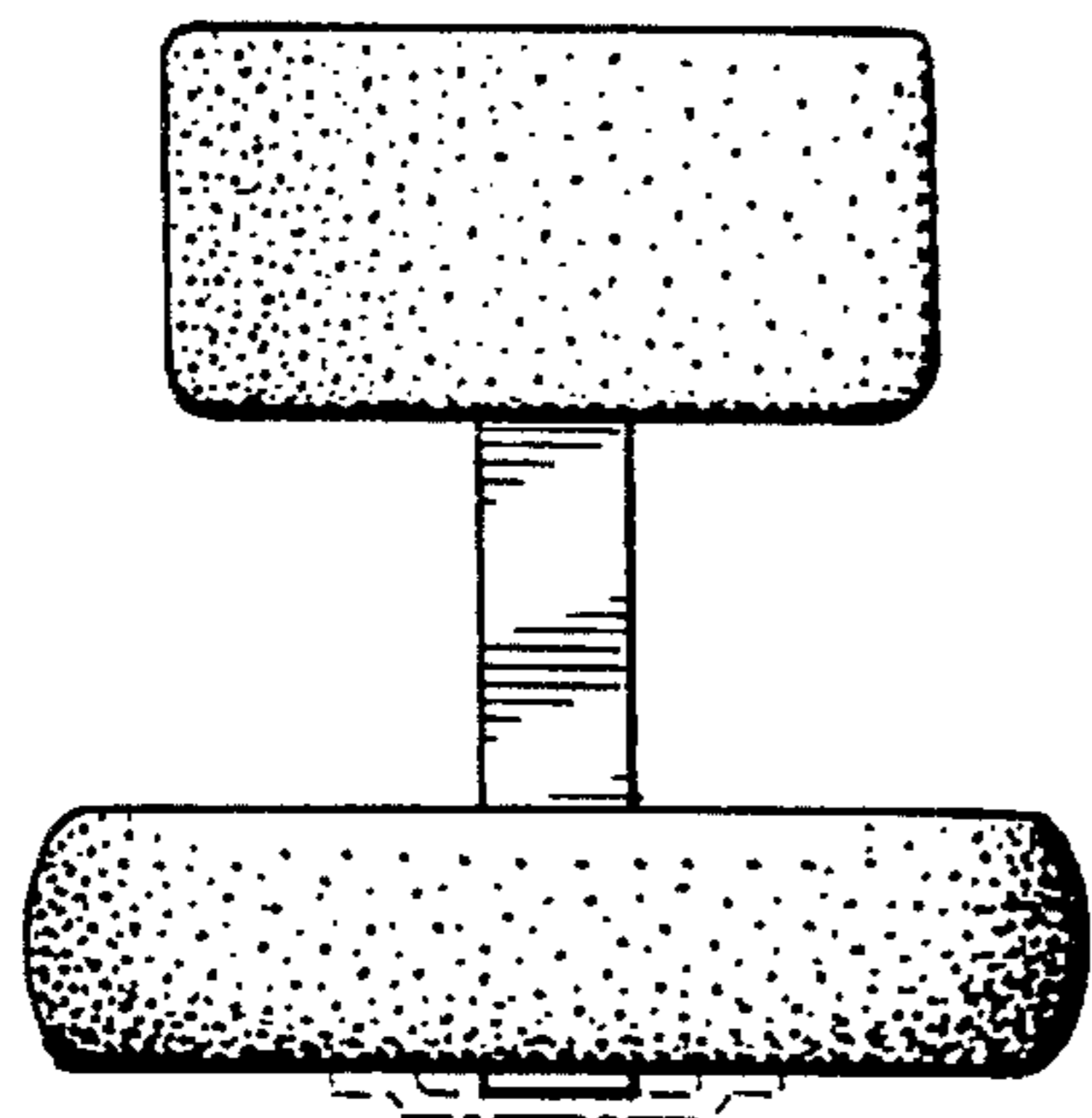


FIG. 4

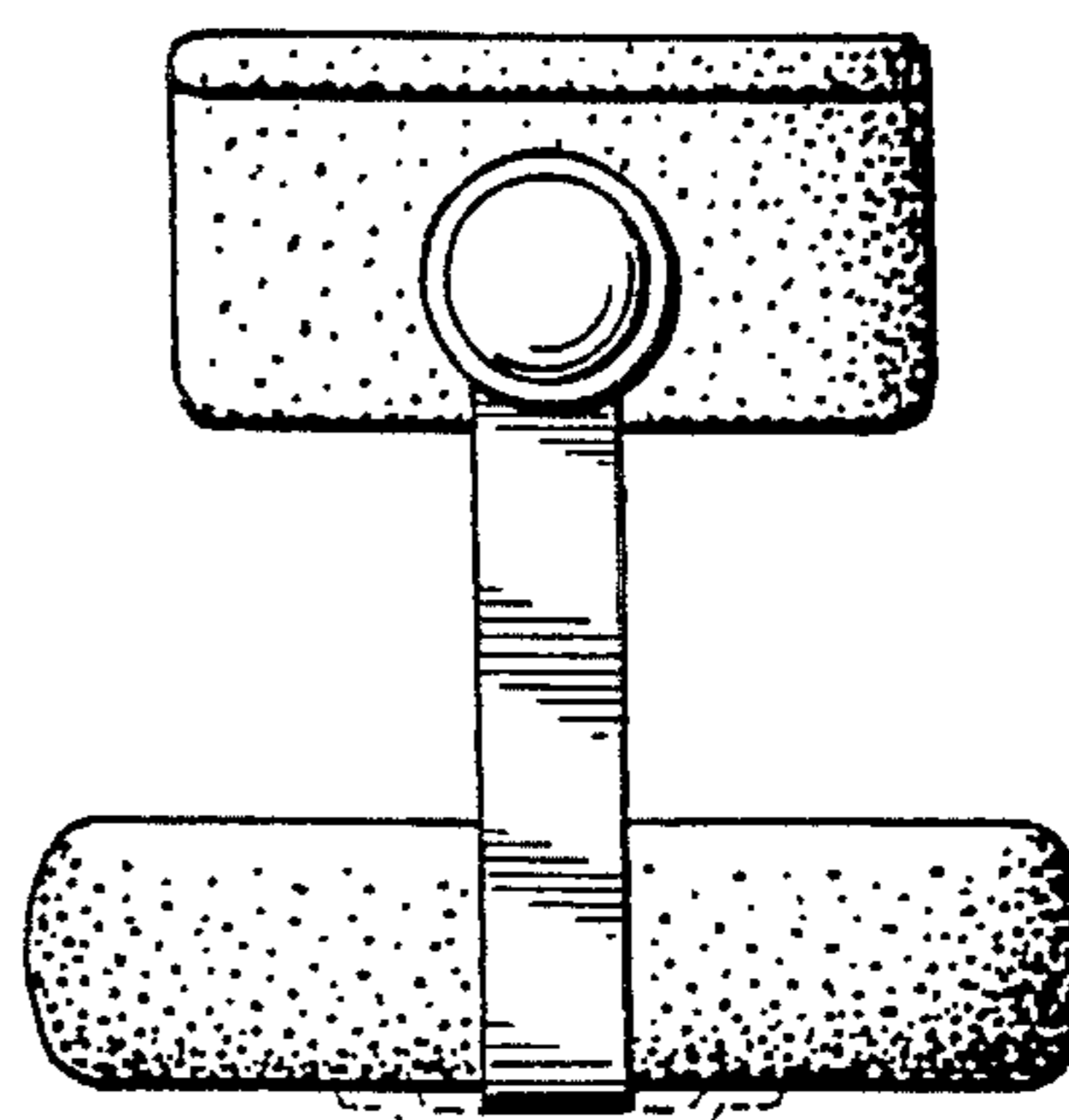


FIG. 5

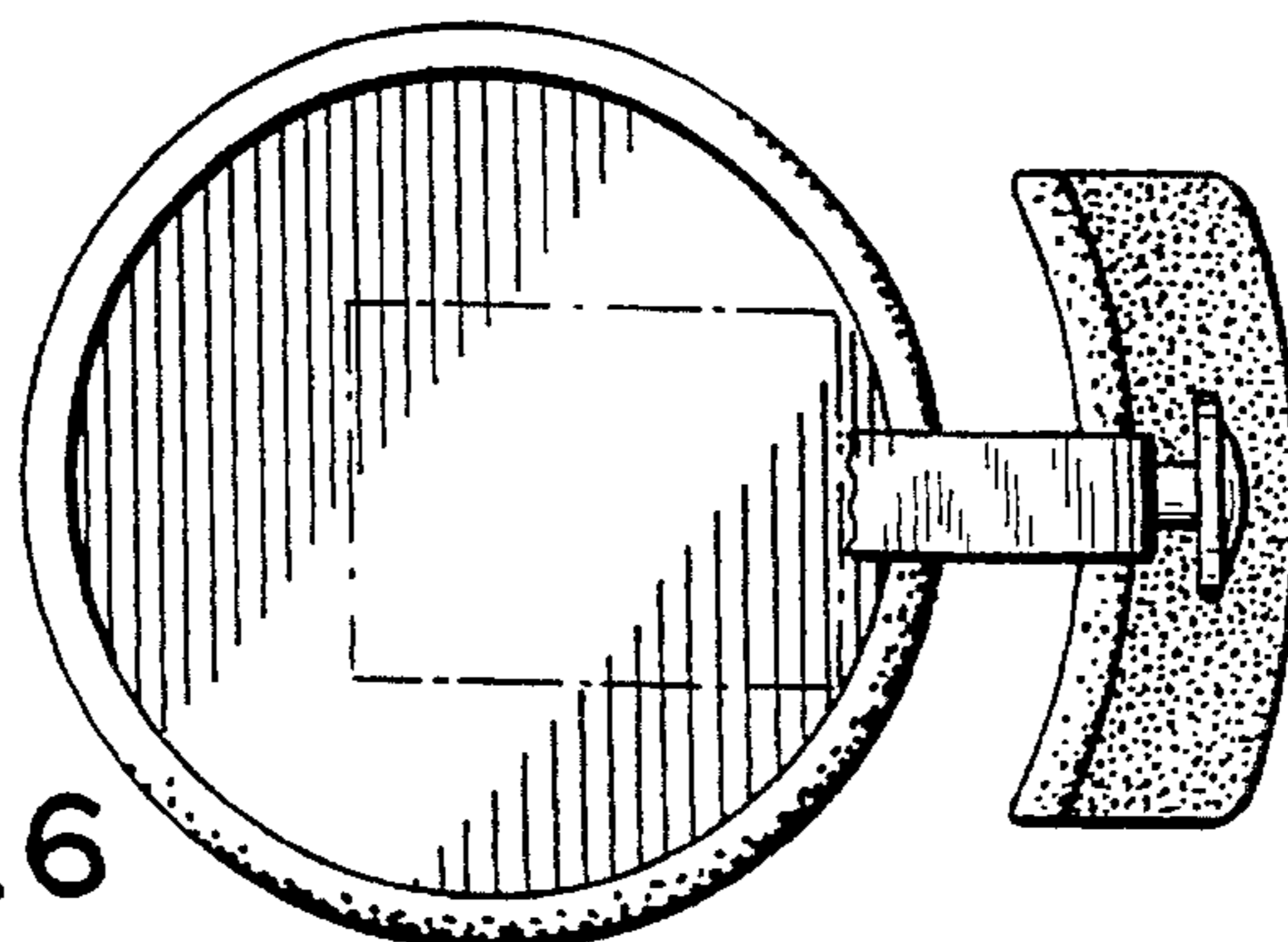


FIG. 6