



US00D372616S

United States Patent [19]

[11] Patent Number: Des. 372,616

Cute

[45] Date of Patent: **Aug. 13, 1996

[54] HANDGUN REST

[57] CLAIM

[76] Inventor: M. Thomas Cute, R.D. 4, Rte. 90
7071, Cortland, N.Y. 13045

The ornamental design for handgun rest, as shown and described.

[**] Term: 14 Years

DESCRIPTION

[21] Appl. No.: 39,106

FIG. 1 is a perspective view of a handgun rest, as seen from the top, right side, showing my new design;

[22] Filed: May 17, 1995

FIG. 2 is a top, plan view;

[52] U.S. Cl. D6/552

FIG. 3 is a right side elevational view, the appearance from the left side being a mirror image thereof;

[58] Field of Search D6/552; D22/109;
211/64

FIG. 4 is a bottom plan view;

FIG. 5 is a front elevational view;

FIG. 6 is a rear elevational view; and,

[56] References Cited

U.S. PATENT DOCUMENTS

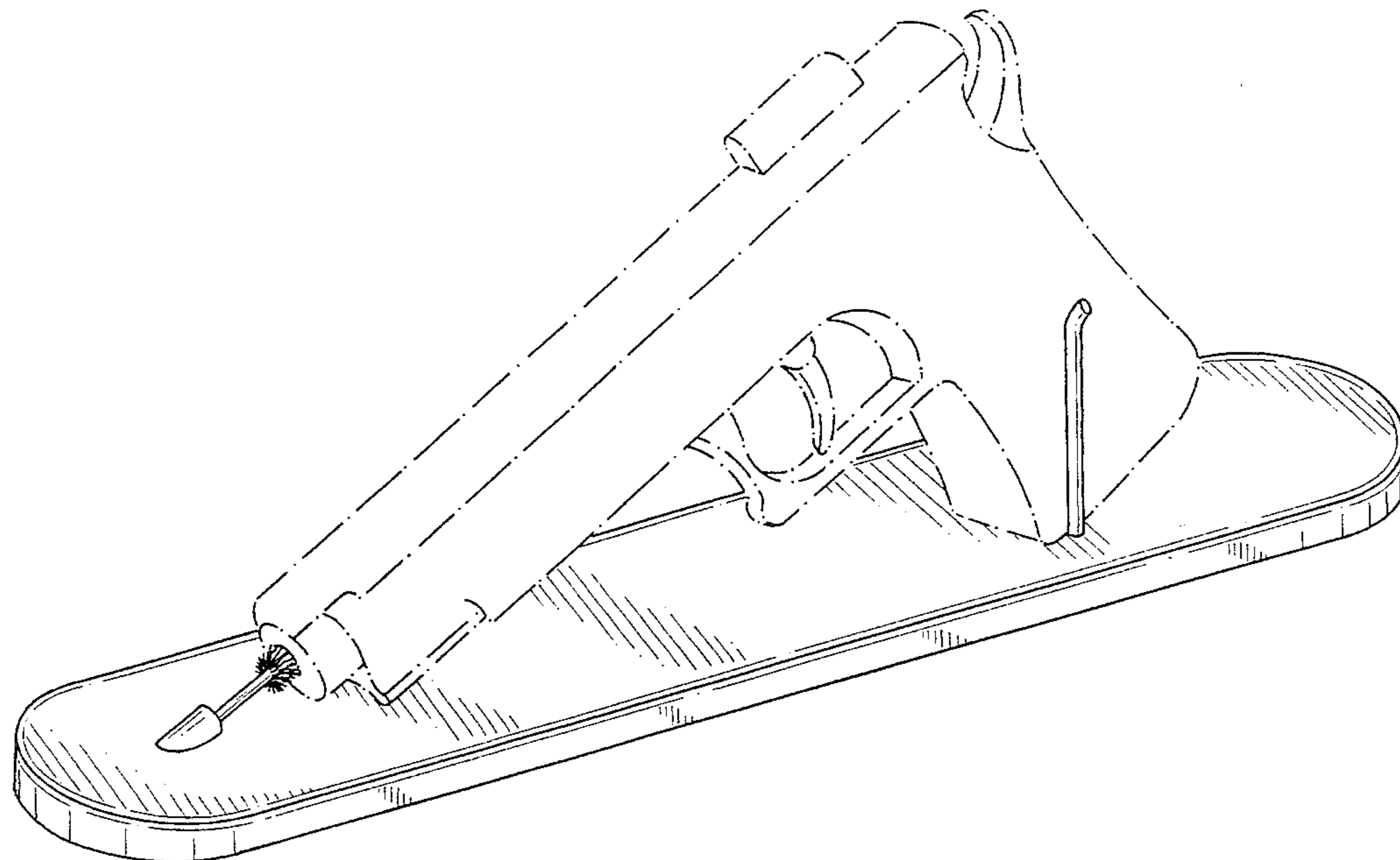
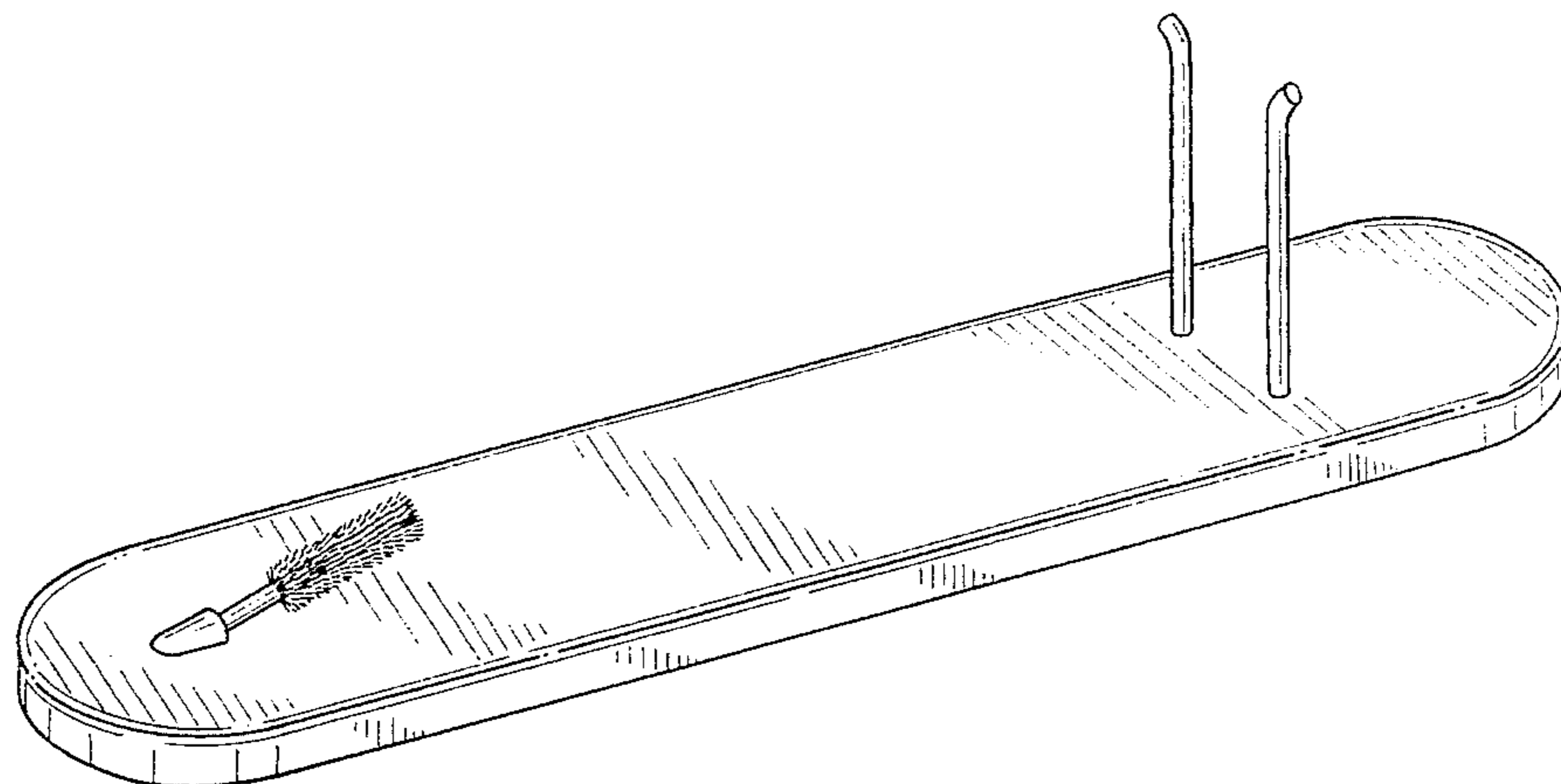
D. 298,385	11/1988	Rappa	D6/552
D. 313,886	1/1991	Southard	D6/552
4,375,268	5/1983	Speck	211/64

FIG. 7 is a perspective view of the handgun rest, as in FIG. 1, showing in phantom lines a handgun positioned thereon.

The material in phantom lines is intended to illustrate the utility of the handgun rest and forms no part of the claimed design.

Primary Examiner—Brian N. Vinson
Attorney, Agent, or Firm—Charles S. McGuire

1 Claim, 3 Drawing Sheets



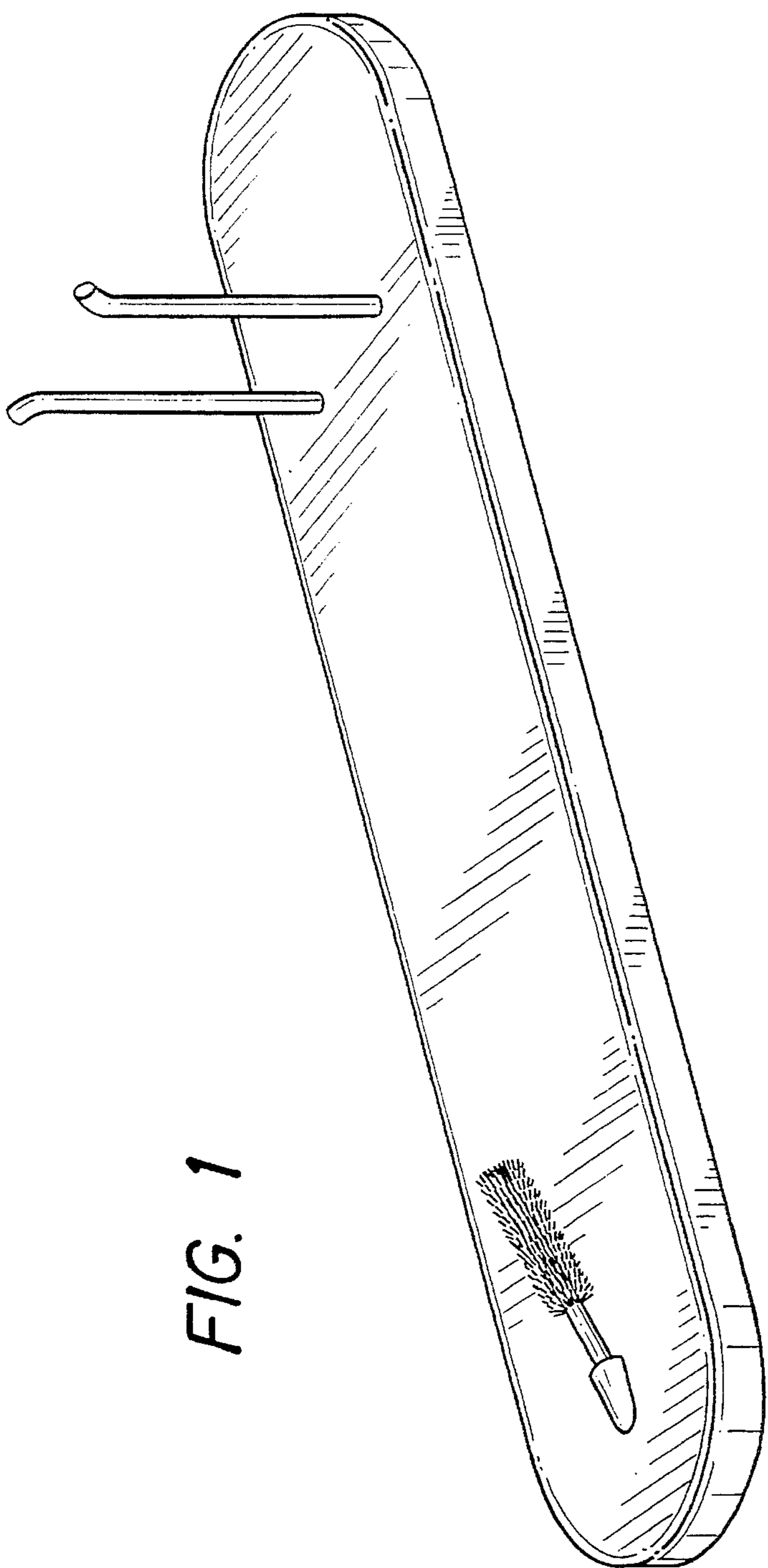


FIG. 1

FIG. 6

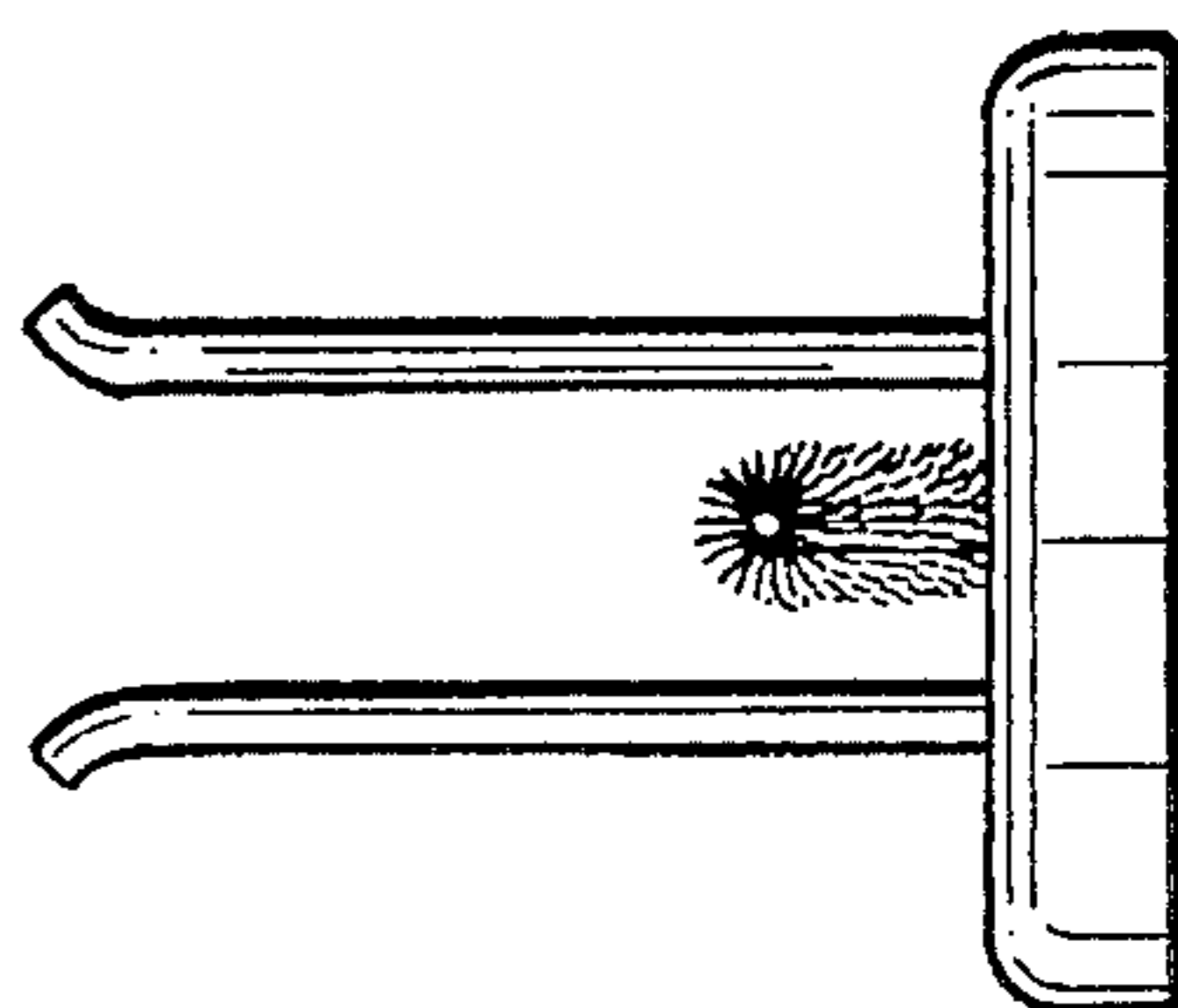
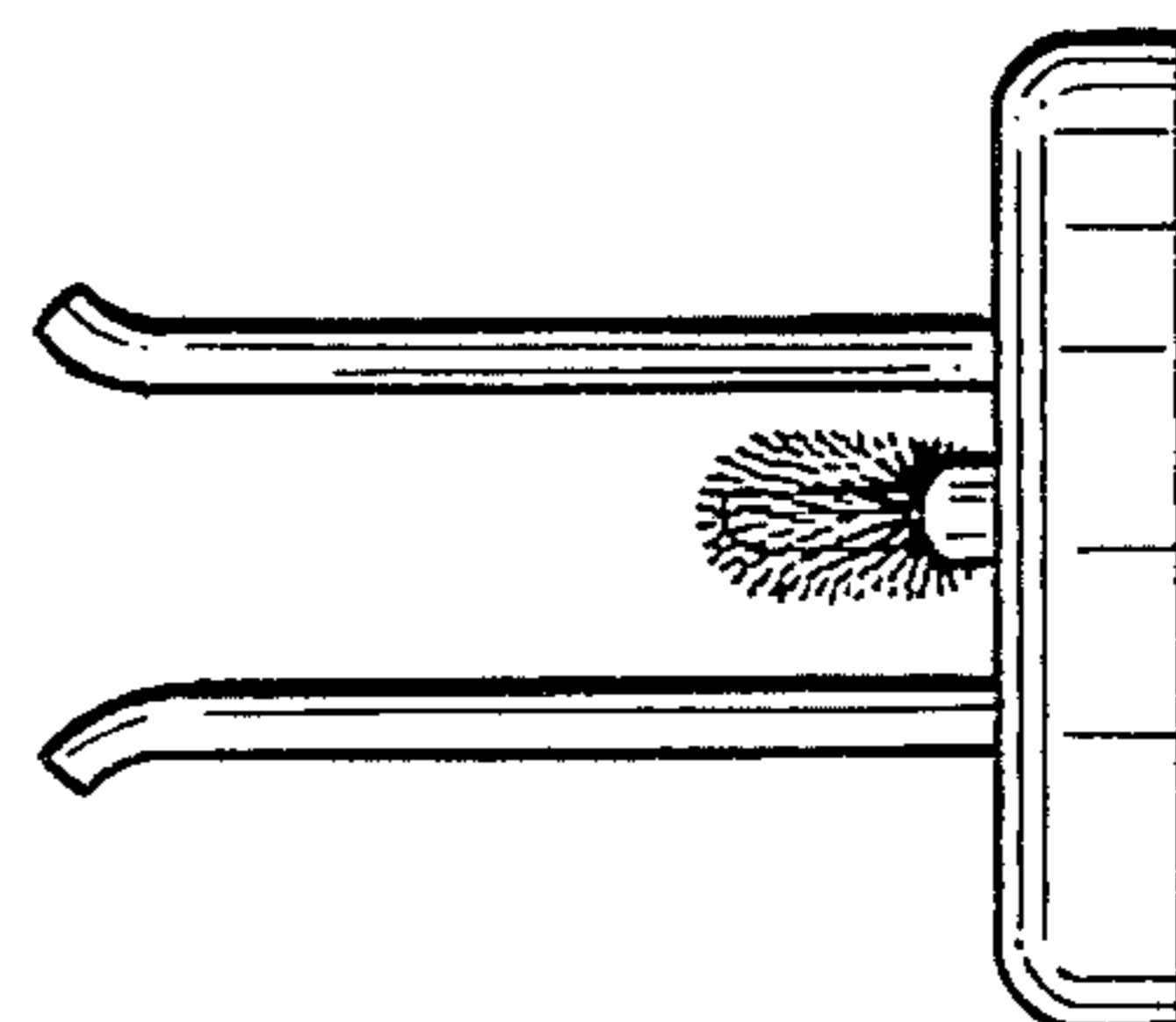


FIG. 5



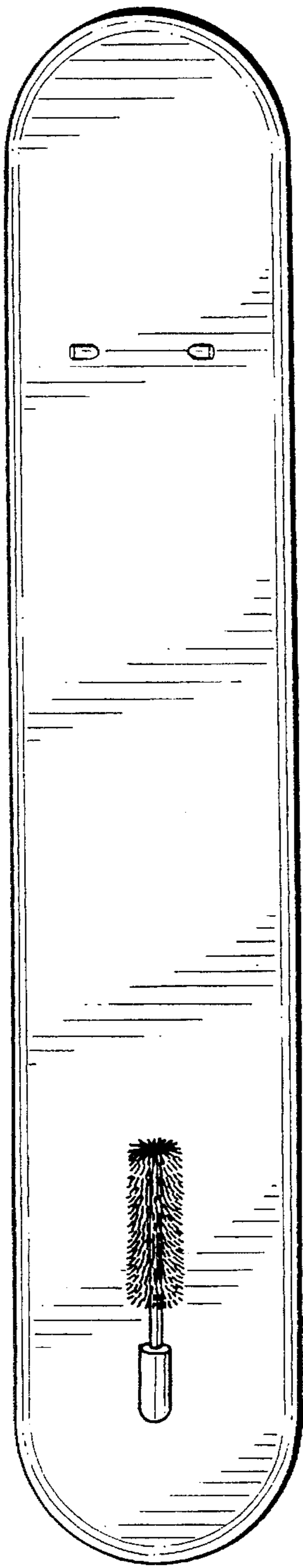


FIG. 2

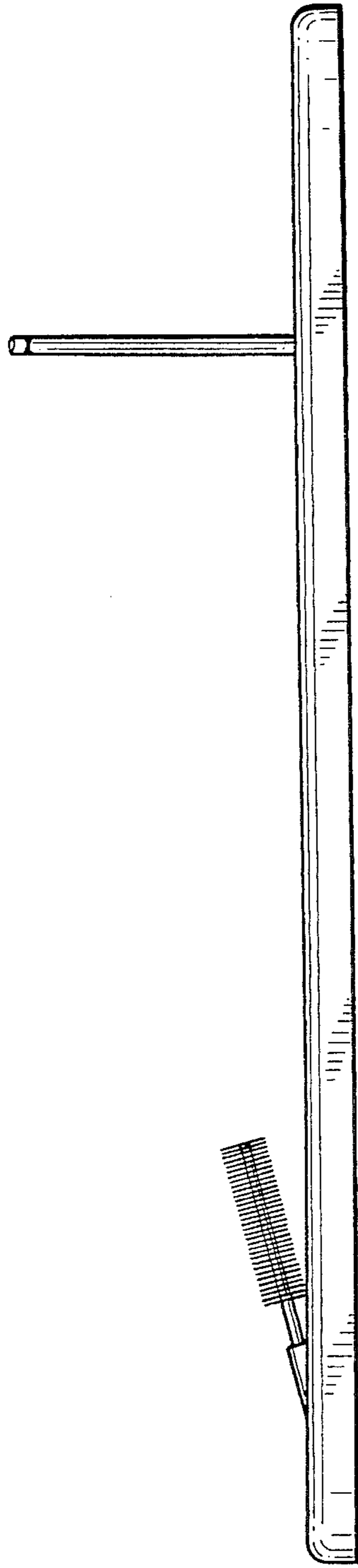


FIG. 3

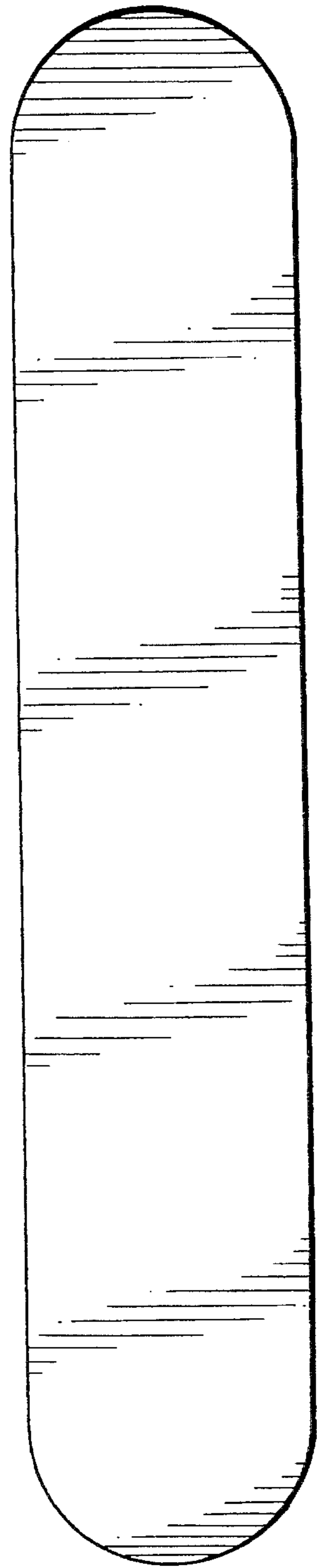


FIG. 4

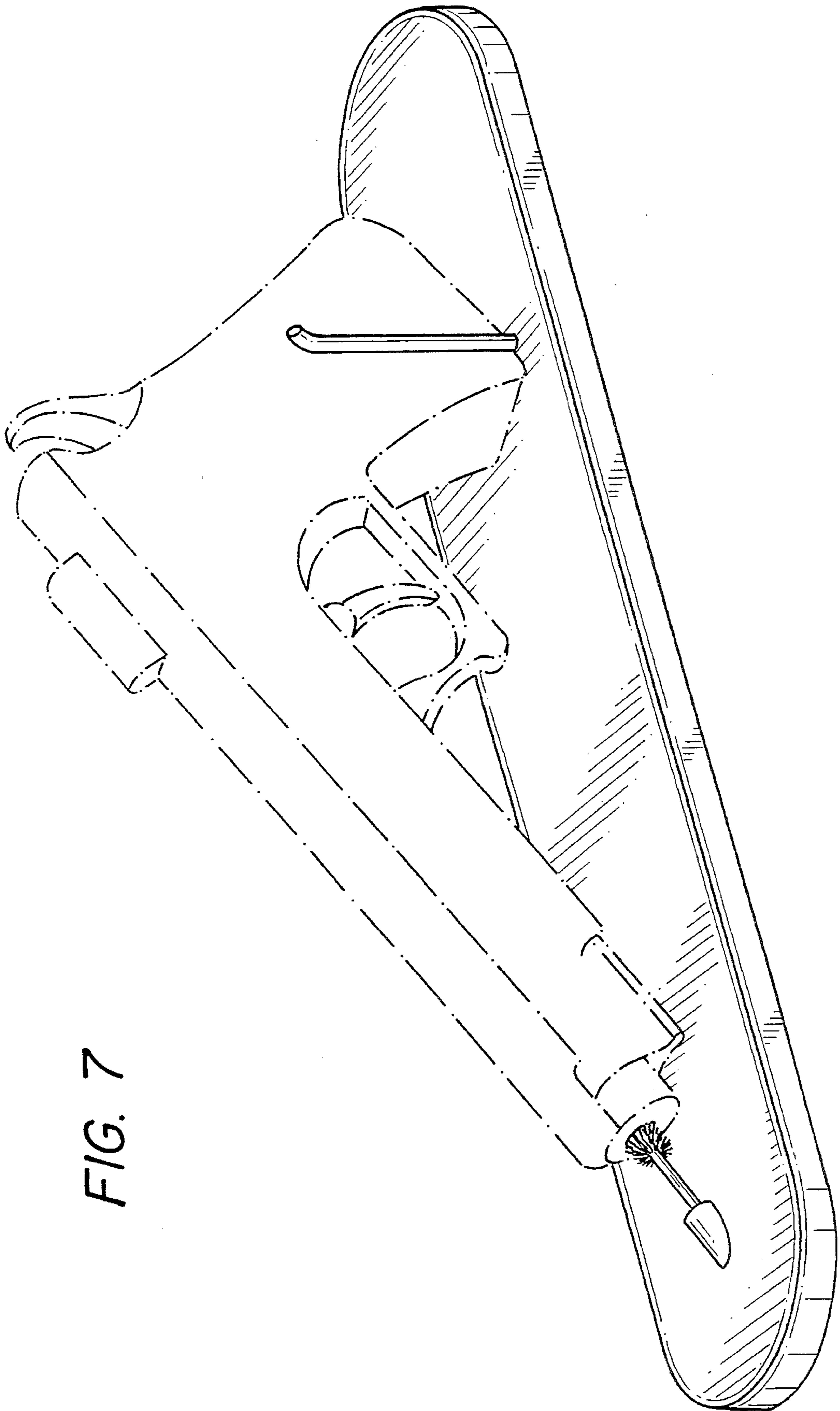


FIG. 7