



US00D372614S

United States Patent [19]

Falke et al.

[11] Patent Number: **Des. 372,614**

[45] Date of Patent: ****Aug. 13, 1996**

[54] **KITCHEN ORGANIZER**

3,227,386 1/1966 Pitcher 242/570 X

[76] Inventors: **James Falke; Shirley Falke**, both of
3610 Bosart Rd., Springfield, Ohio
45503

Primary Examiner—Brian N. Vinson
Attorney, Agent, or Firm—Harold H. Dutton, Jr.; W. Charles
L. Jamison; Diane F. Liebman

[**] Term: **14 Years**

[57] **CLAIM**

[21] Appl. No.: **43,090**

The ornamental design for a kitchen organizer, as shown and described.

[22] Filed: **Aug. 25, 1995**

DESCRIPTION

[52] U.S. Cl. **D6/520**

[58] Field of Search D6/518-523; 242/570,
242/590, 598

FIG. 1 is a perspective view of a kitchen organizer showing my new design;
FIG. 2 is a rear view thereof;
FIG. 3 is a right side view thereof;
FIG. 4 is a top view thereof; and,
FIG. 5 is a bottom view thereof.

[56] **References Cited**

U.S. PATENT DOCUMENTS

- D. 301,667 6/1989 Barrs et al. D6/522 X
- D. 337,013 7/1993 Poliandro D6/518
- D. 341,968 12/1993 Kumerfield D6/518 X
- D. 353,965 1/1995 Winebrenner D6/518

The side opposite to that shown in FIG. 3 is a mirror image thereof.

1 Claim, 3 Drawing Sheets

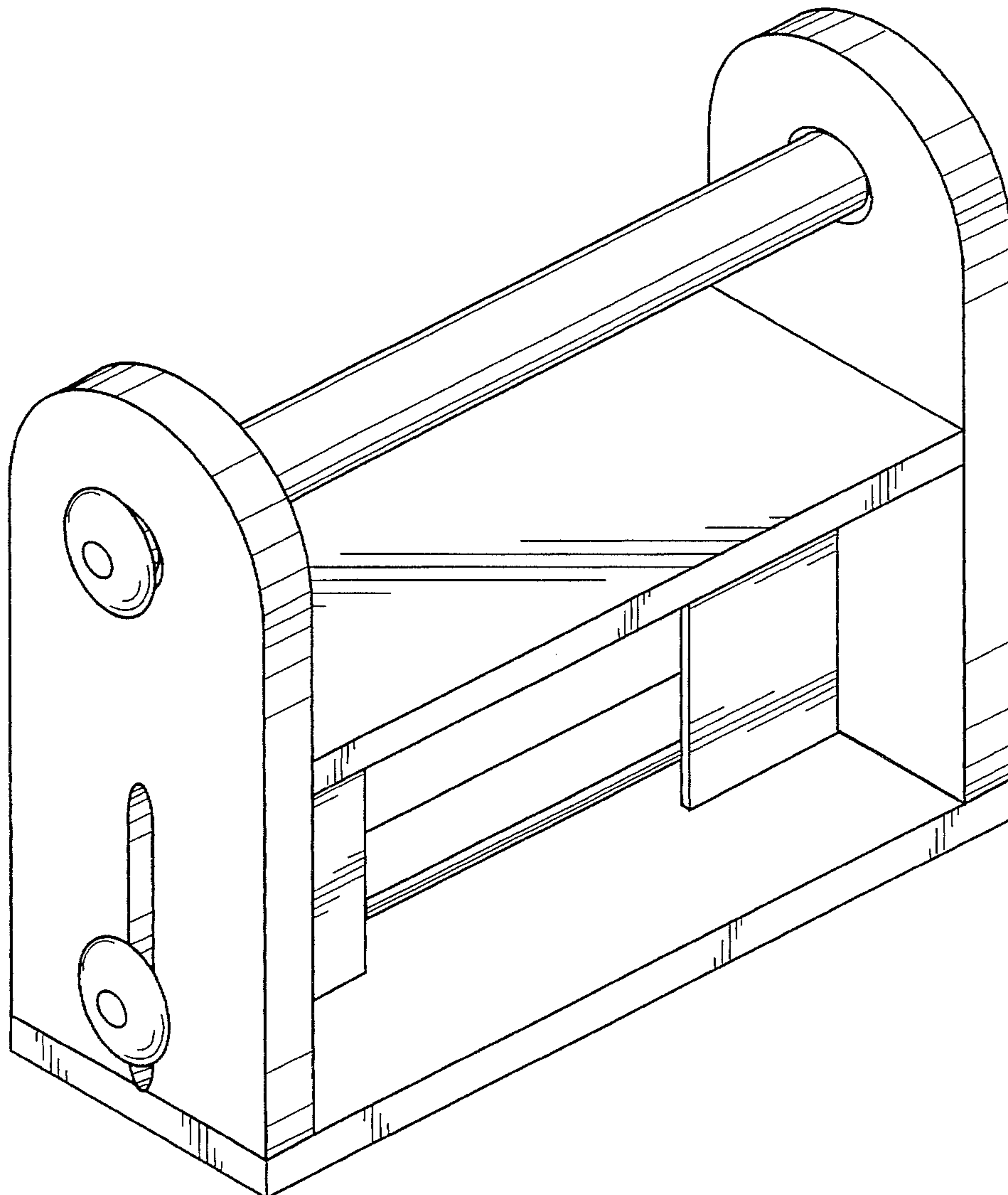
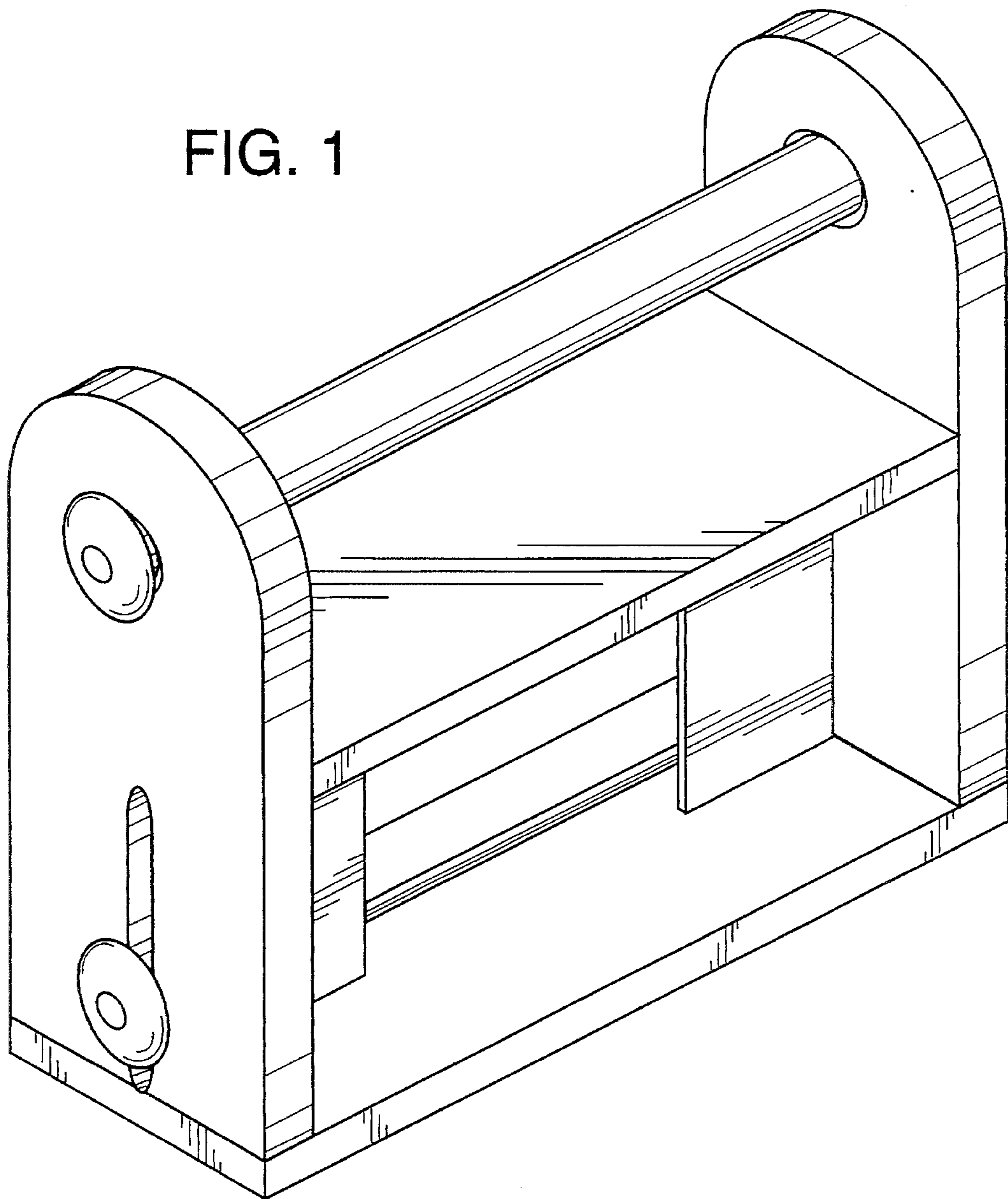


FIG. 1



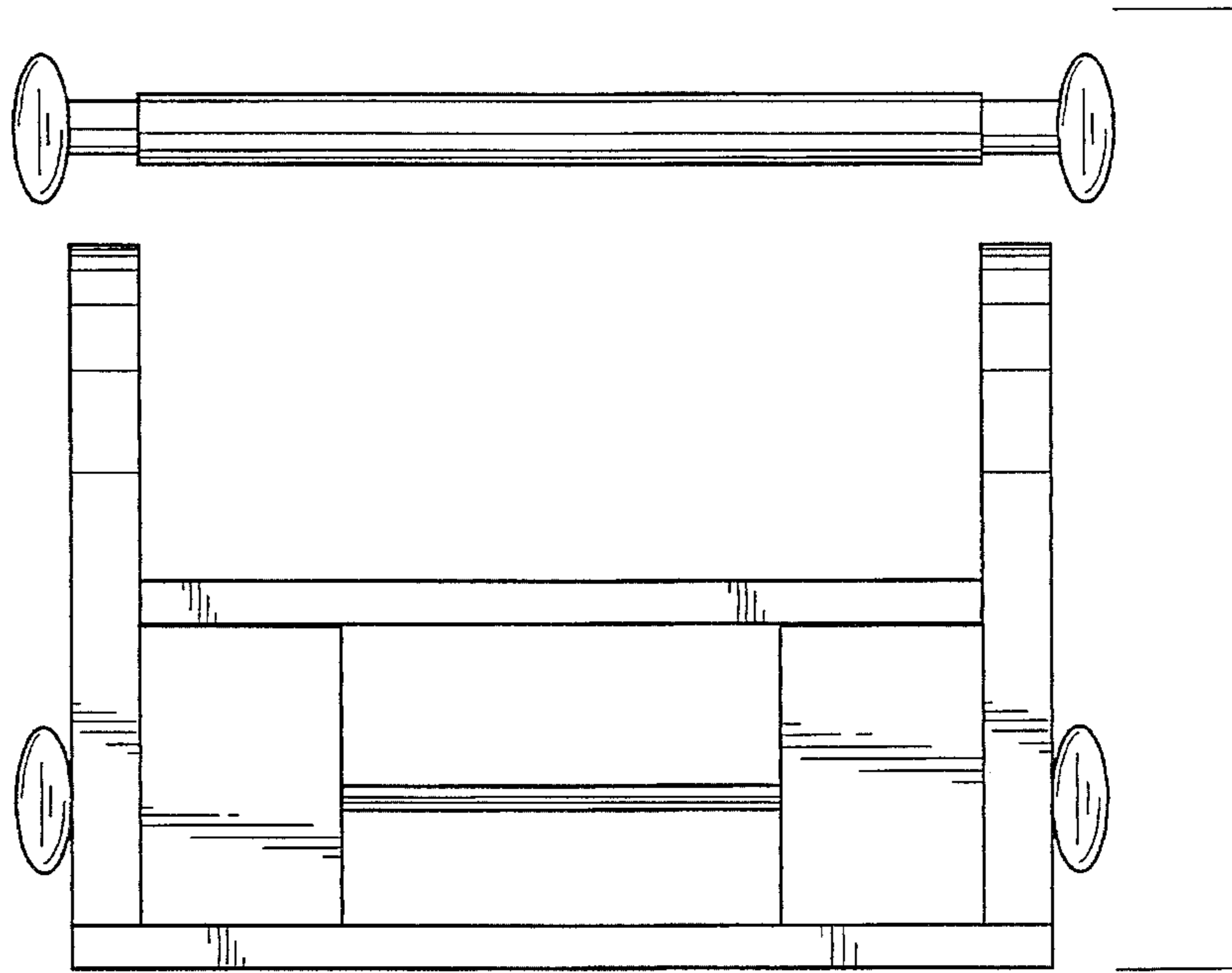


FIG. 2

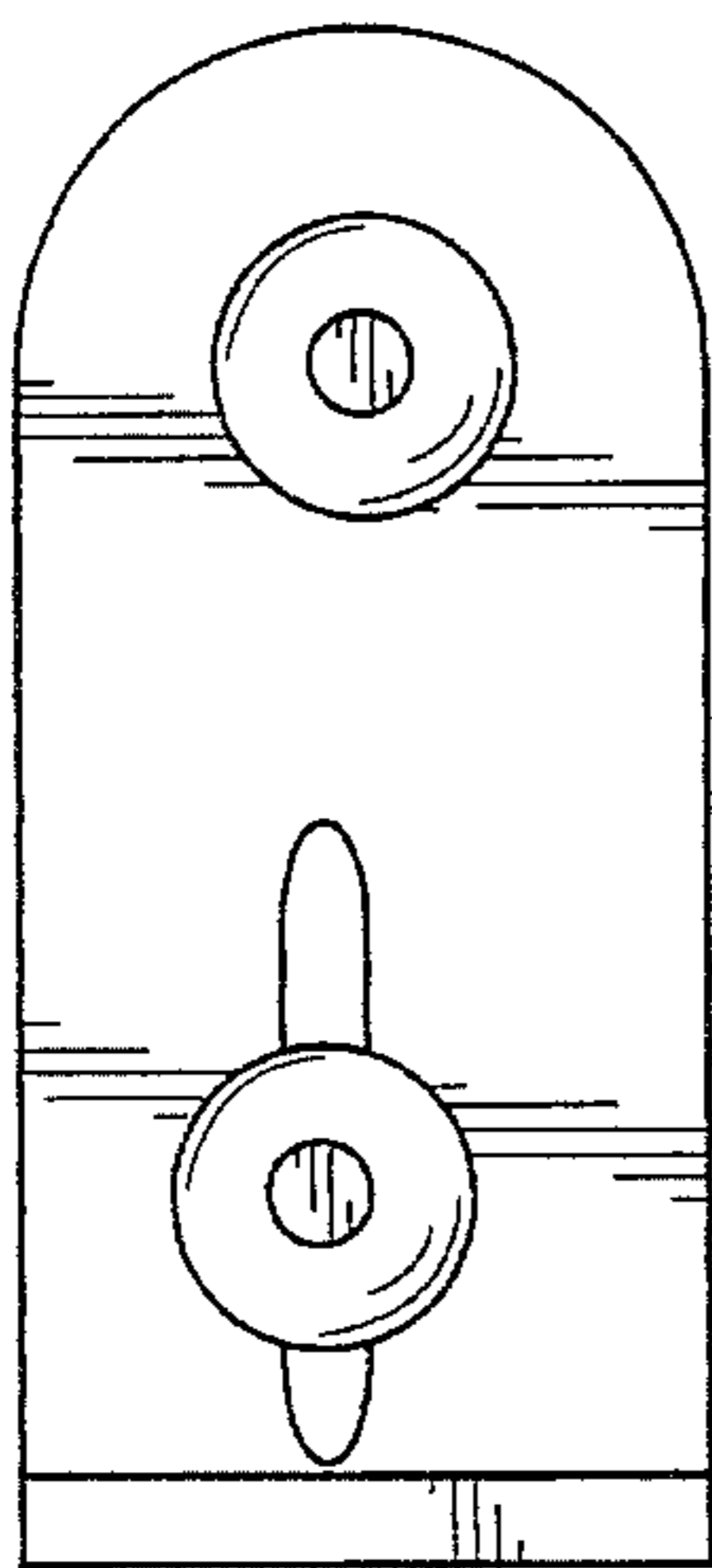


FIG. 3

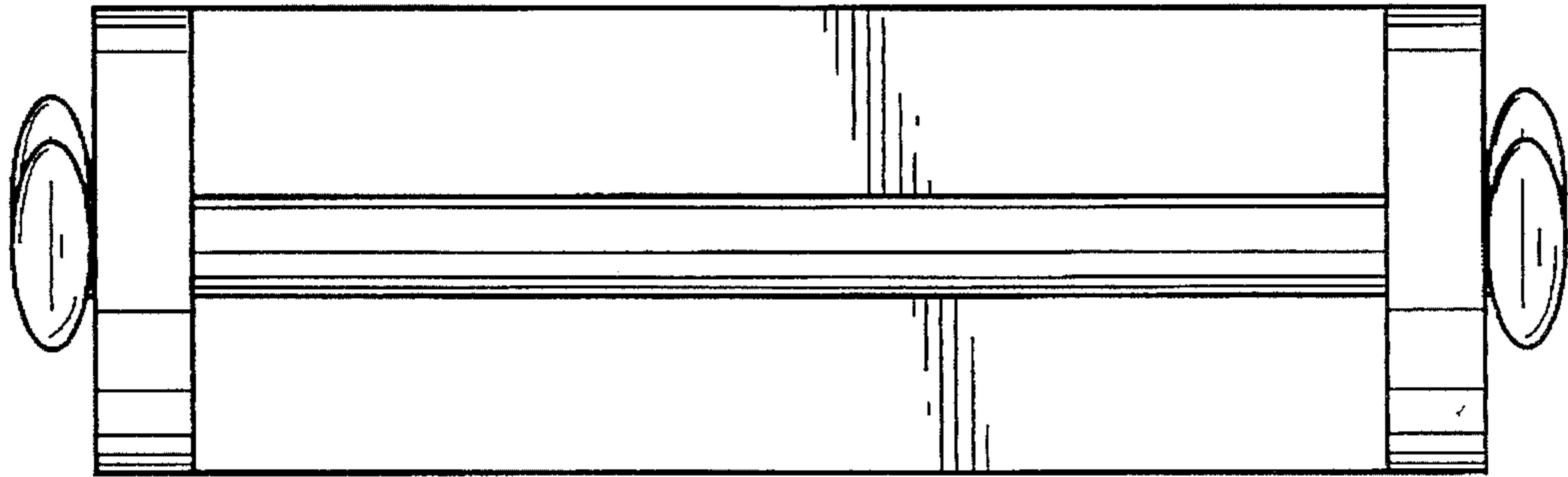


FIG. 4

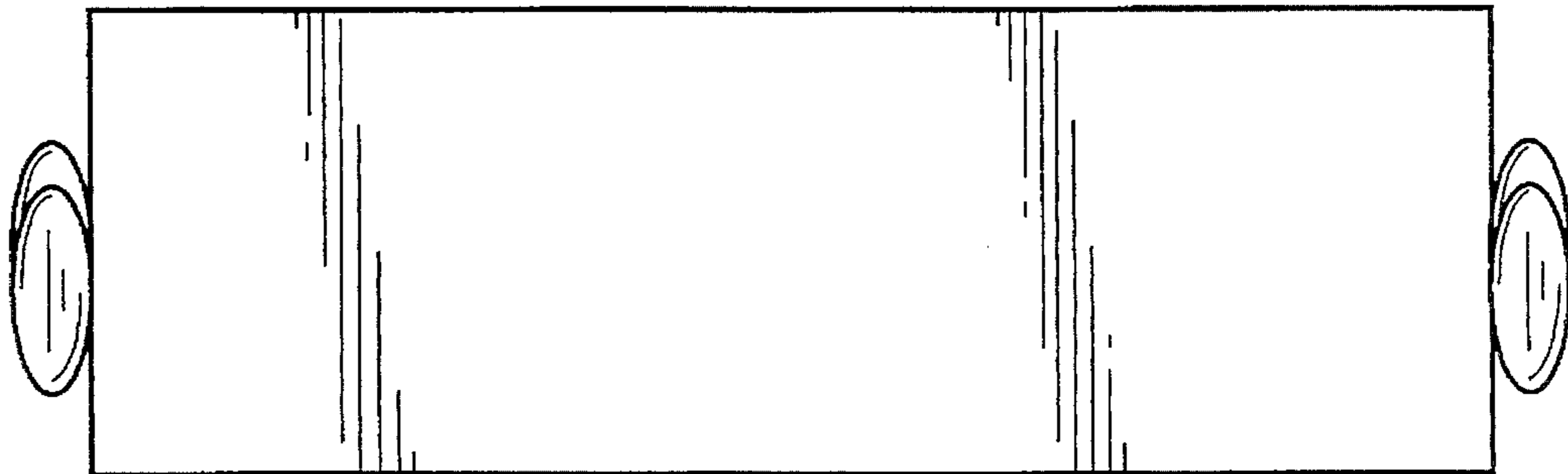


FIG. 5