



US00D372613S

United States Patent [19]

[11] Patent Number: **Des. 372,613**

Nixon, II

[45] Date of Patent: ****Aug. 13, 1996**

[54] SOAP DISPENSER

4,164,306 8/1979 Perrin 222/181

[76] Inventor: **William J. Nixon, II**, 1105 Overbrook Dr., Ormond Beach, Fla. 32174

Primary Examiner—Brian N. Vinson
Attorney, Agent, or Firm—James H. Beusse

[**] Term: **14 Years**

[57] CLAIM

[21] Appl. No.: **39,133**

The ornamental design for a soap dispenser, as shown and described.

[22] Filed: **May 22, 1995**

DESCRIPTION

[52] U.S. Cl. **D6/545**

[58] Field of Search D6/542-545; 222/105, 222/129, 135, 156, 173, 180-181, 185, 630-631; 221/282-286

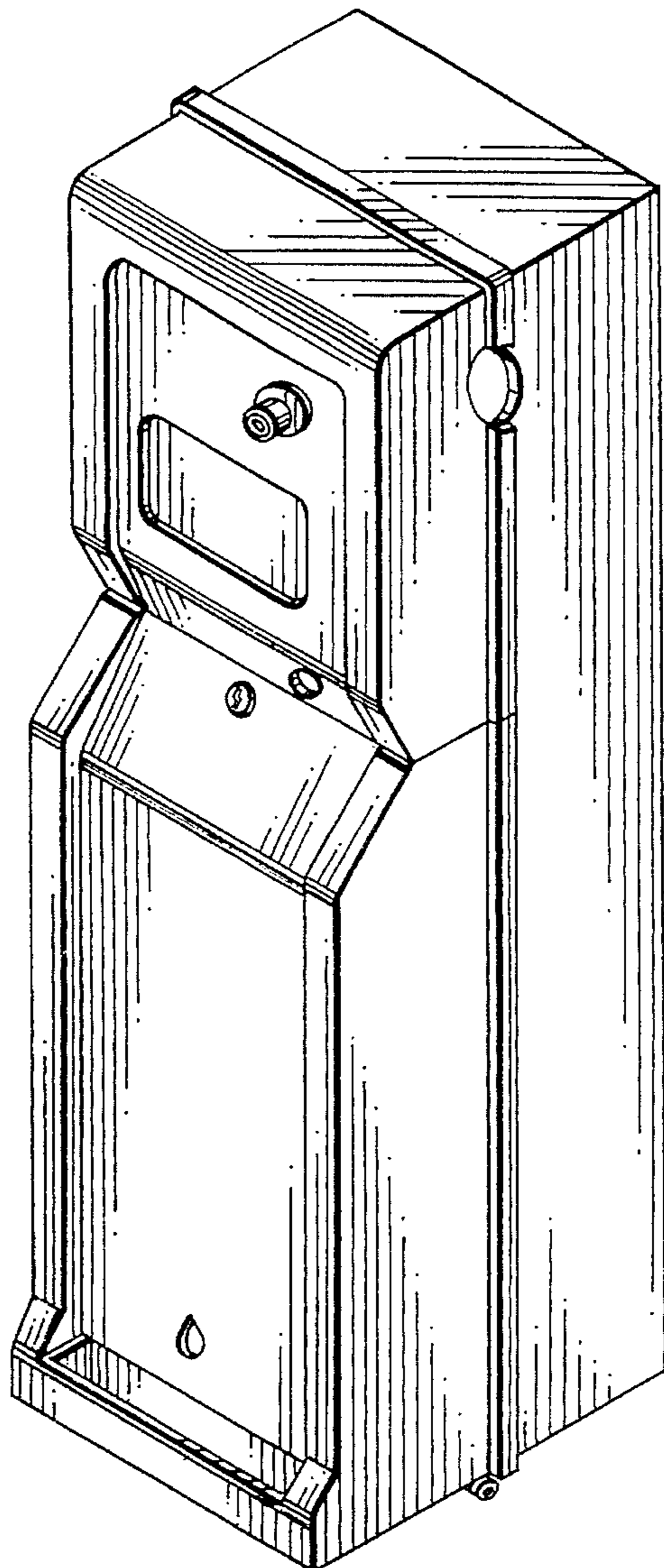
FIG. 1 is a top, front, and right side perspective view of a soap dispenser showing my new design; FIG. 2 is a front elevational view thereof; FIG. 3 is a rear elevational view thereof; FIG. 4 is a top plan view thereof; FIG. 5 is a bottom plan view thereof; and, FIG. 6 is a right side elevational view thereof, the left side being a mirror image of that shown.

[56] References Cited

U.S. PATENT DOCUMENTS

- D. 339,493 9/1993 Fender D6/545
- D. 345,664 4/1994 Brandenburg D6/545
- D. 364,299 11/1995 Lax D6/545

1 Claim, 1 Drawing Sheet



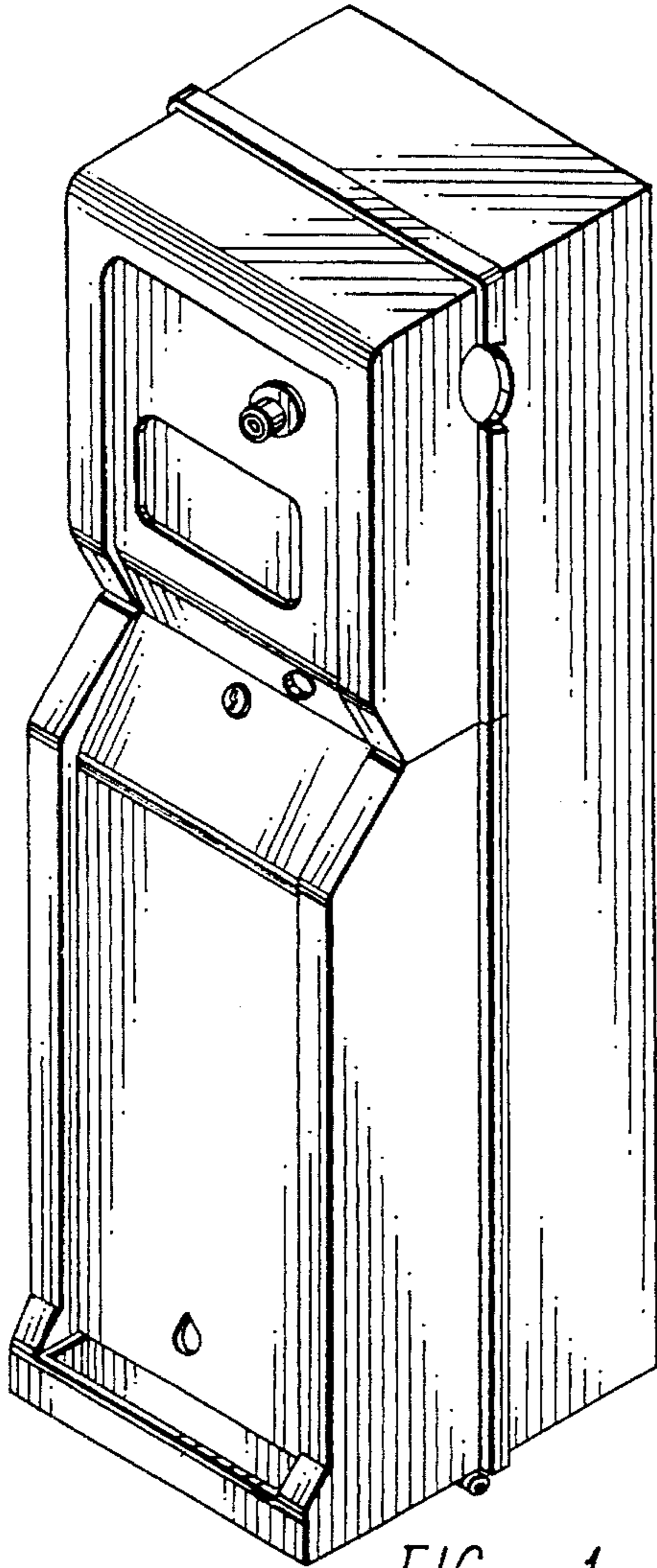


FIG. 1

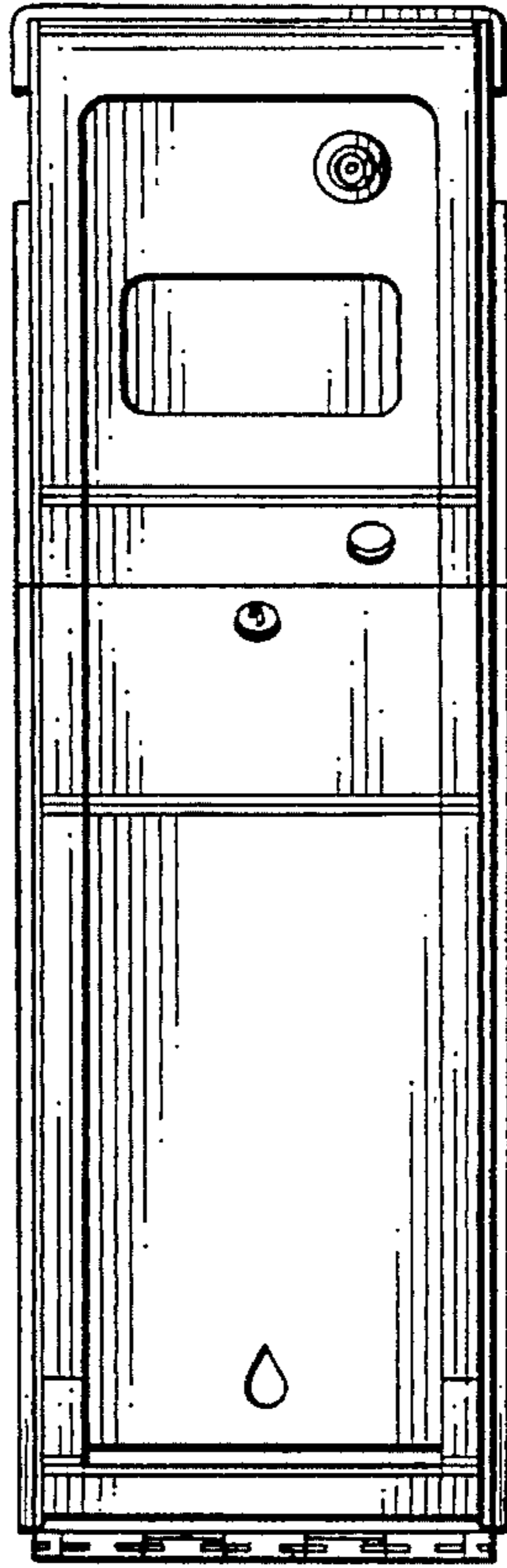


FIG. 2

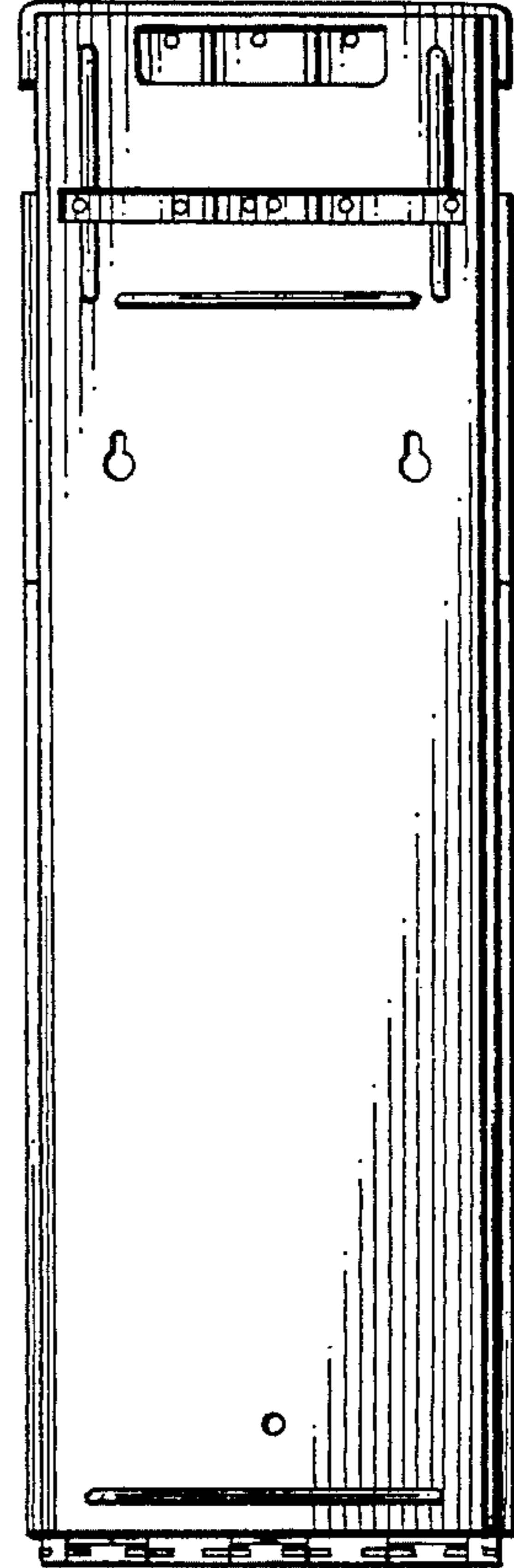


FIG. 3

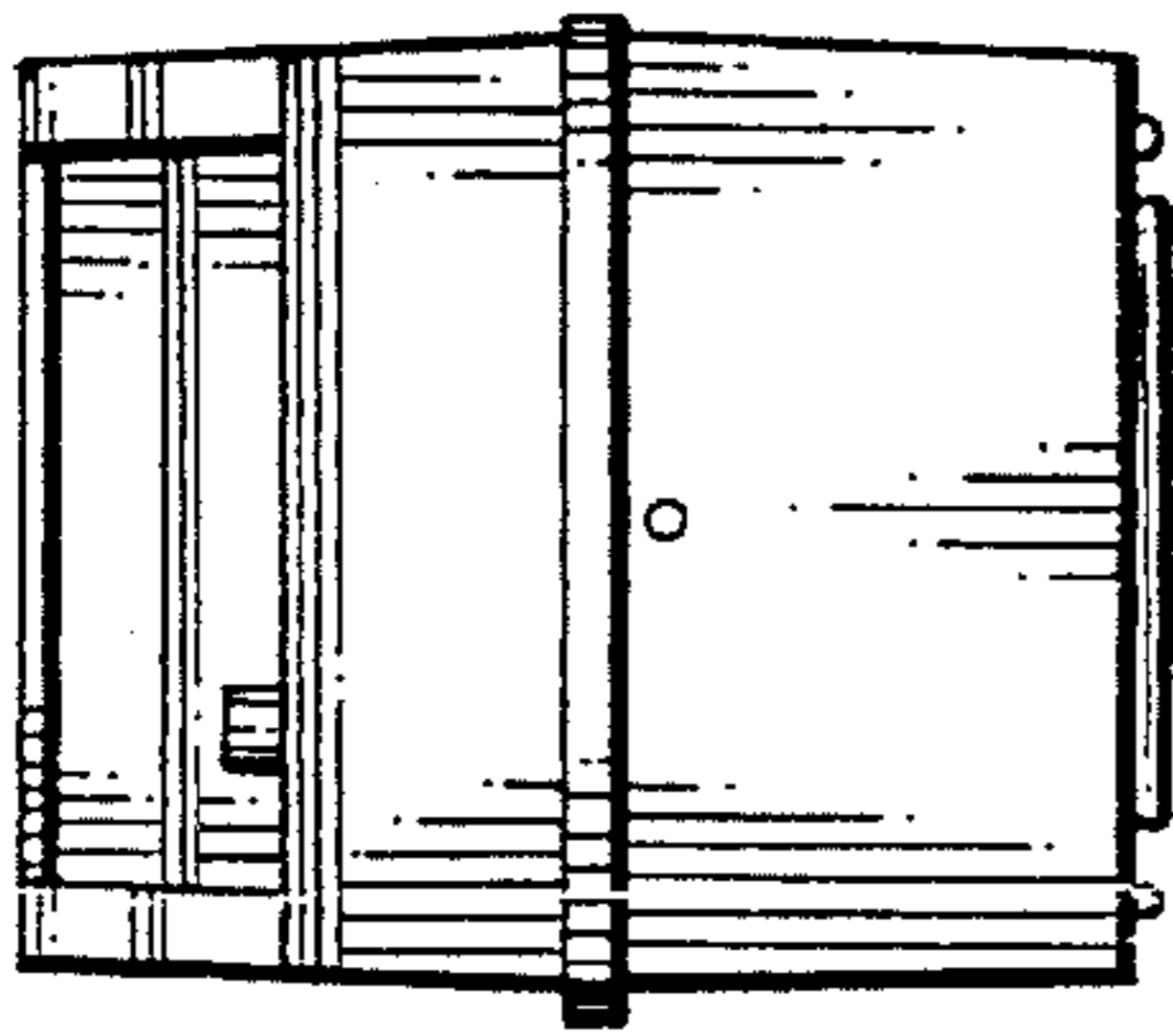


FIG. 4

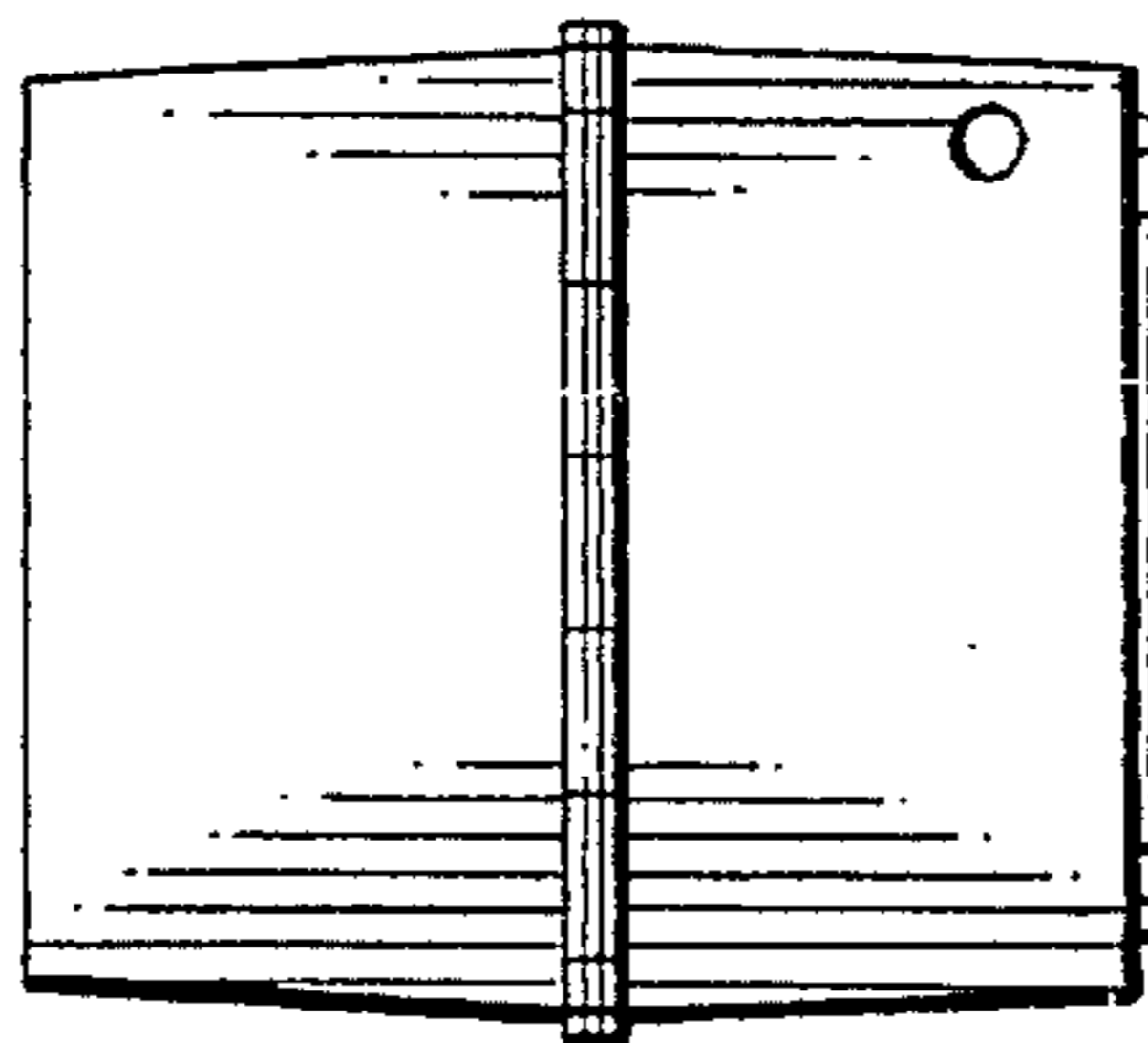


FIG. 5

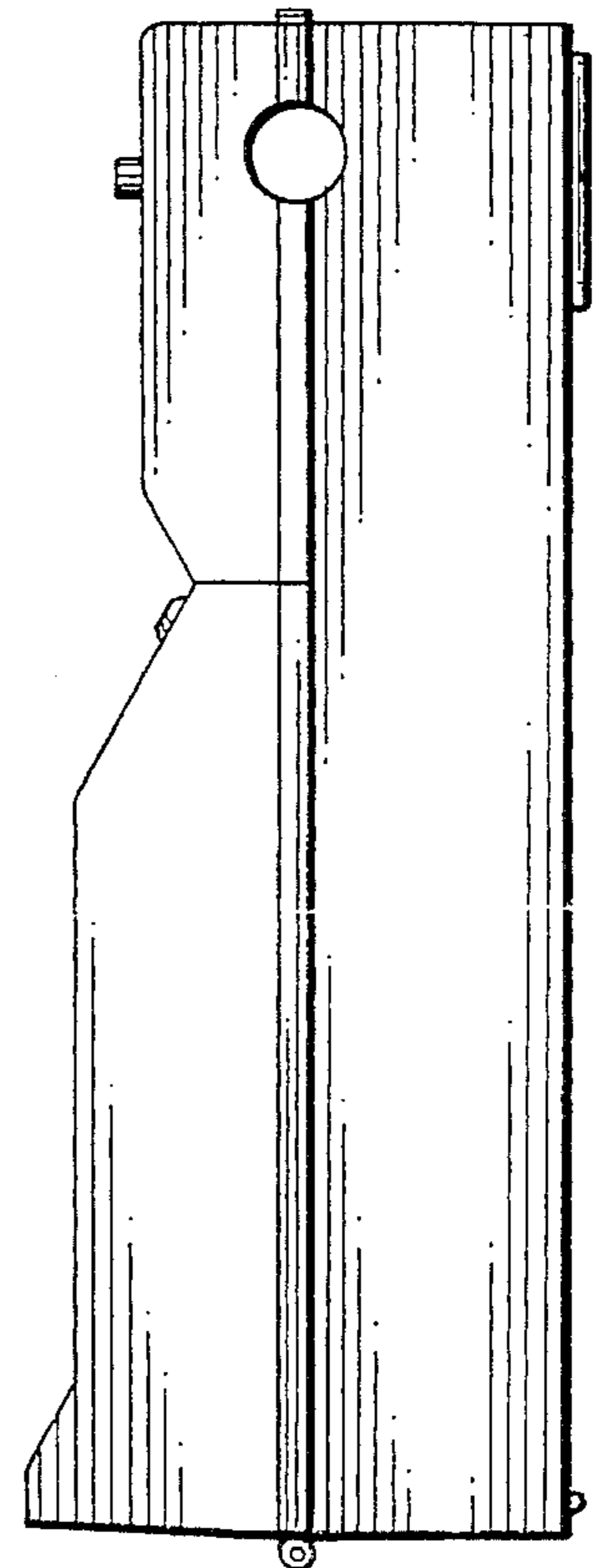


FIG. 6