



US00D372612S

United States Patent [19]
Credle, Sr.

[11] **Patent Number: Des. 372,612**

[45] **Date of Patent: **Aug. 13, 1996**

[54] **FISH-SHAPED TABLE TOP**

[76] Inventor: **Michael T. Credle, Sr.**, 1205 Wilson Rd., Smithfield, Va. 23430

[**] Term: **14 Years**

[21] Appl. No.: **31,862**

[22] Filed: **Dec. 7, 1994**

[52] U.S. Cl. **D6/511**

[58] Field of Search D6/449, 450, 451,
D6/509, 510, 511, 482, 480, 486; 108/50;
312/194, 195, 196

[56] **References Cited**

U.S. PATENT DOCUMENTS

D. 163,617 6/1951 Lilja D6/467 X
D. 186,519 11/1959 Klein et al. D6/511

Primary Examiner—Nelson C. Holtje
Assistant Examiner—S. Snapp

[57] **CLAIM**

The ornamental design for a fish-shaped table top, as shown and described.

DESCRIPTION

FIG. 1 is a top plan view of a fish-shaped table top embodying my design;

FIG. 2 is a bottom plan view thereof with the straps extended, it being understood that the straps are flexible and positionable in a variety of configurations;

FIG. 3 is a side elevation view of the table top as seen in FIG. 1 along lines 3—3;

FIG. 4 is a side elevation view thereof along lines 4—4;

FIG. 5 is a side elevation view thereof along lines 5—5;

FIG. 6 is a side elevation view thereof along lines 6—6;

FIG. 7 is a top plan view of a second embodiment of a fish-shaped table top embodying my design;

FIG. 8 is a bottom plan view of a second embodiment of my design with the straps extended, it being understood that the straps are flexible and positionable in a variety of configurations;

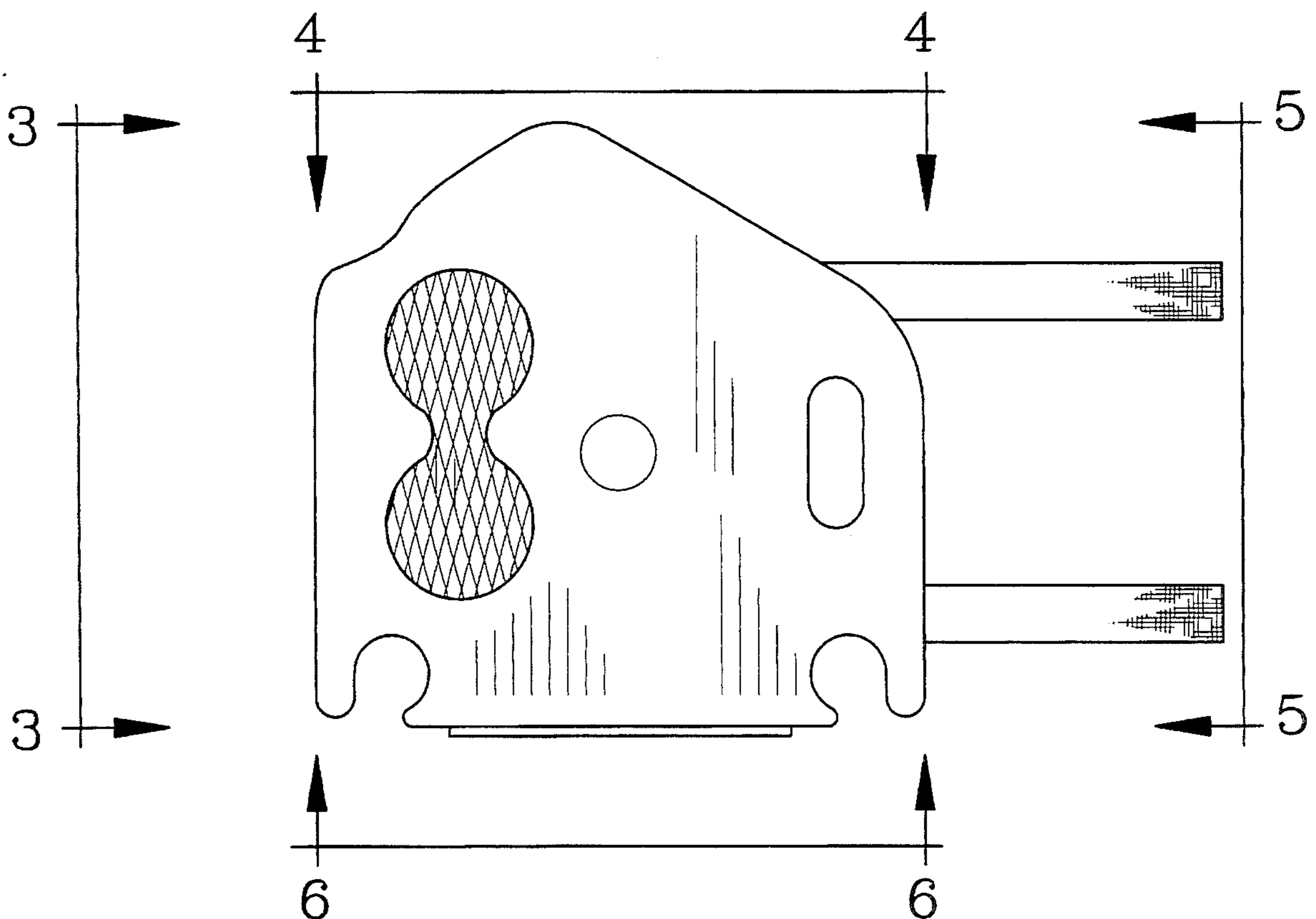
FIG. 9 is a side elevation view of the table top as seen in FIG. 1 along lines 9—9;

FIG. 10 is a side elevation view thereof along lines 10—10;

FIG. 11 is a side elevation view thereof along lines 11—11; and,

FIG. 12 is a side elevation view thereof along lines 12—12.

1 Claim, 4 Drawing Sheets



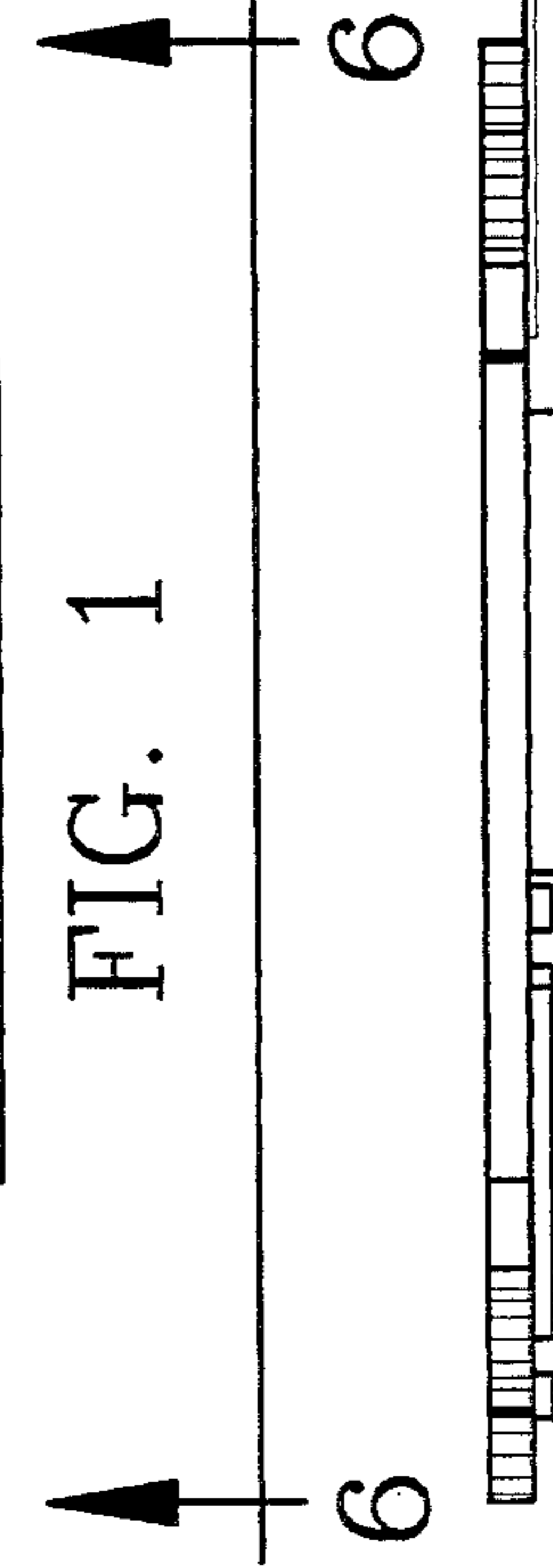
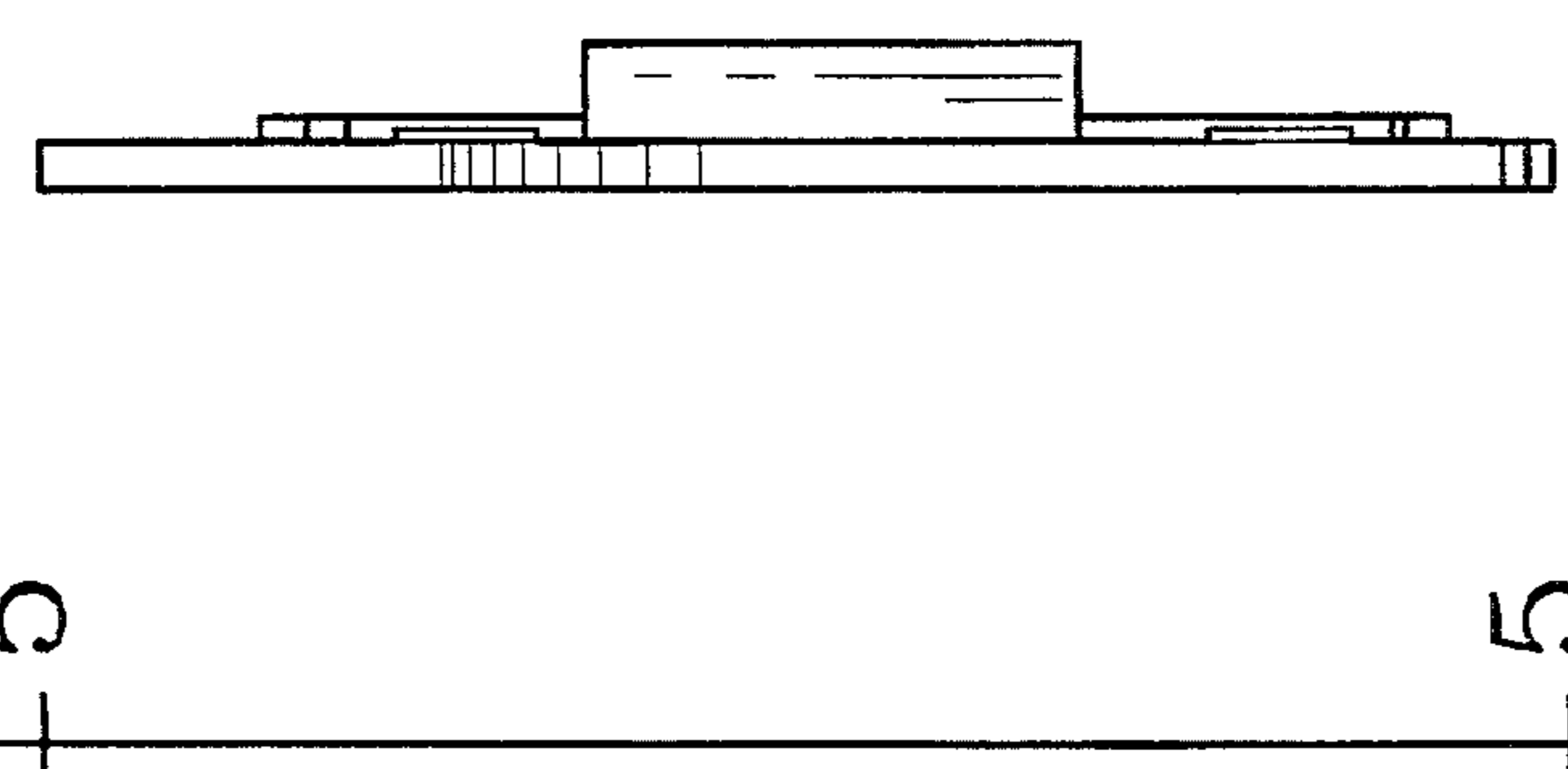
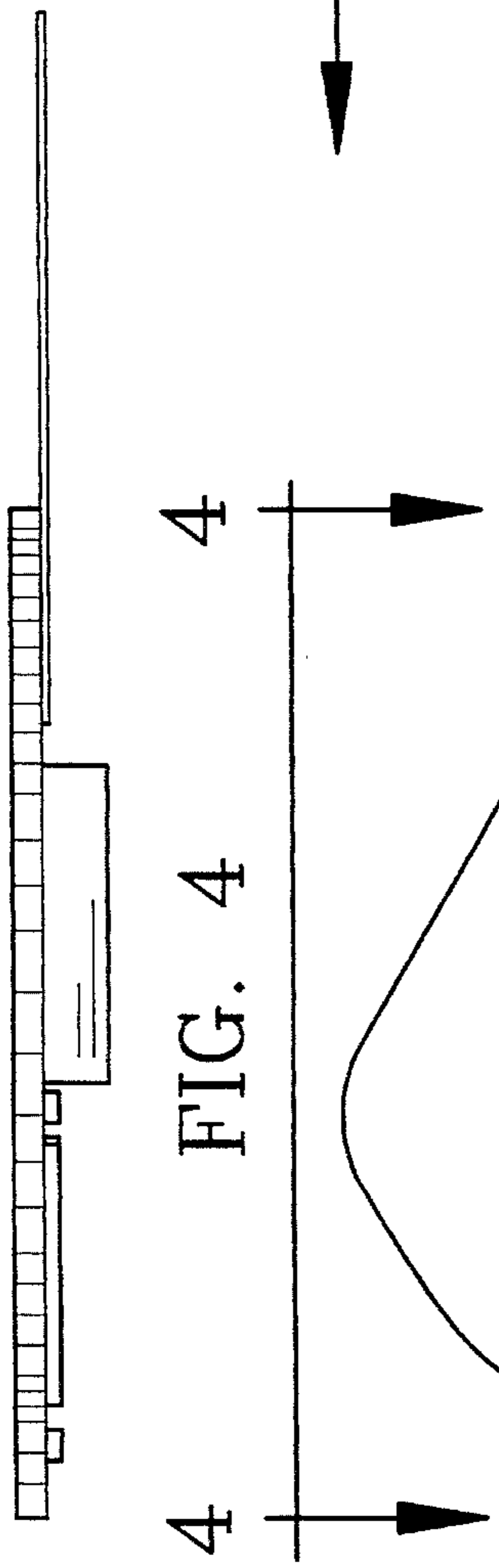
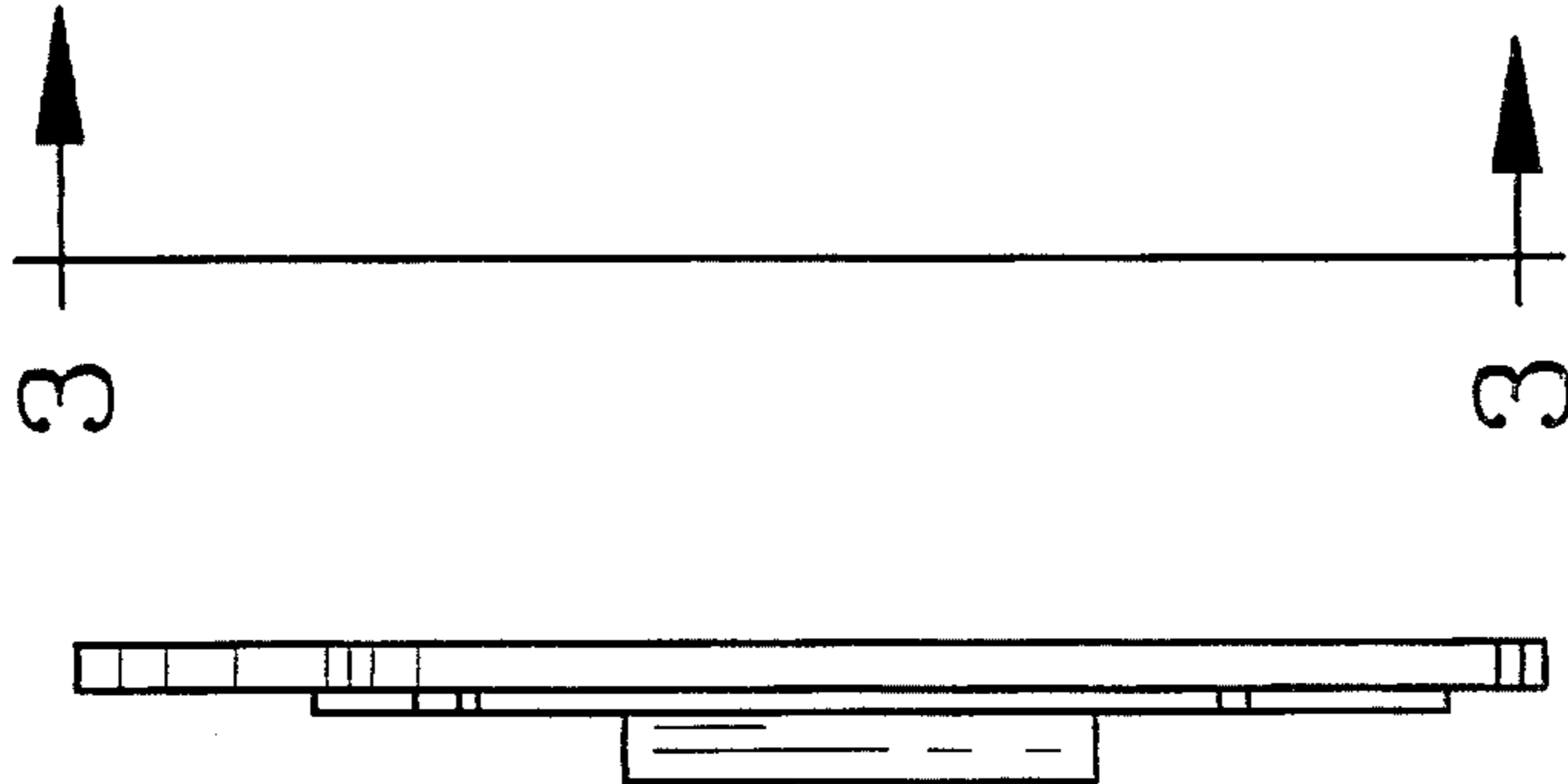
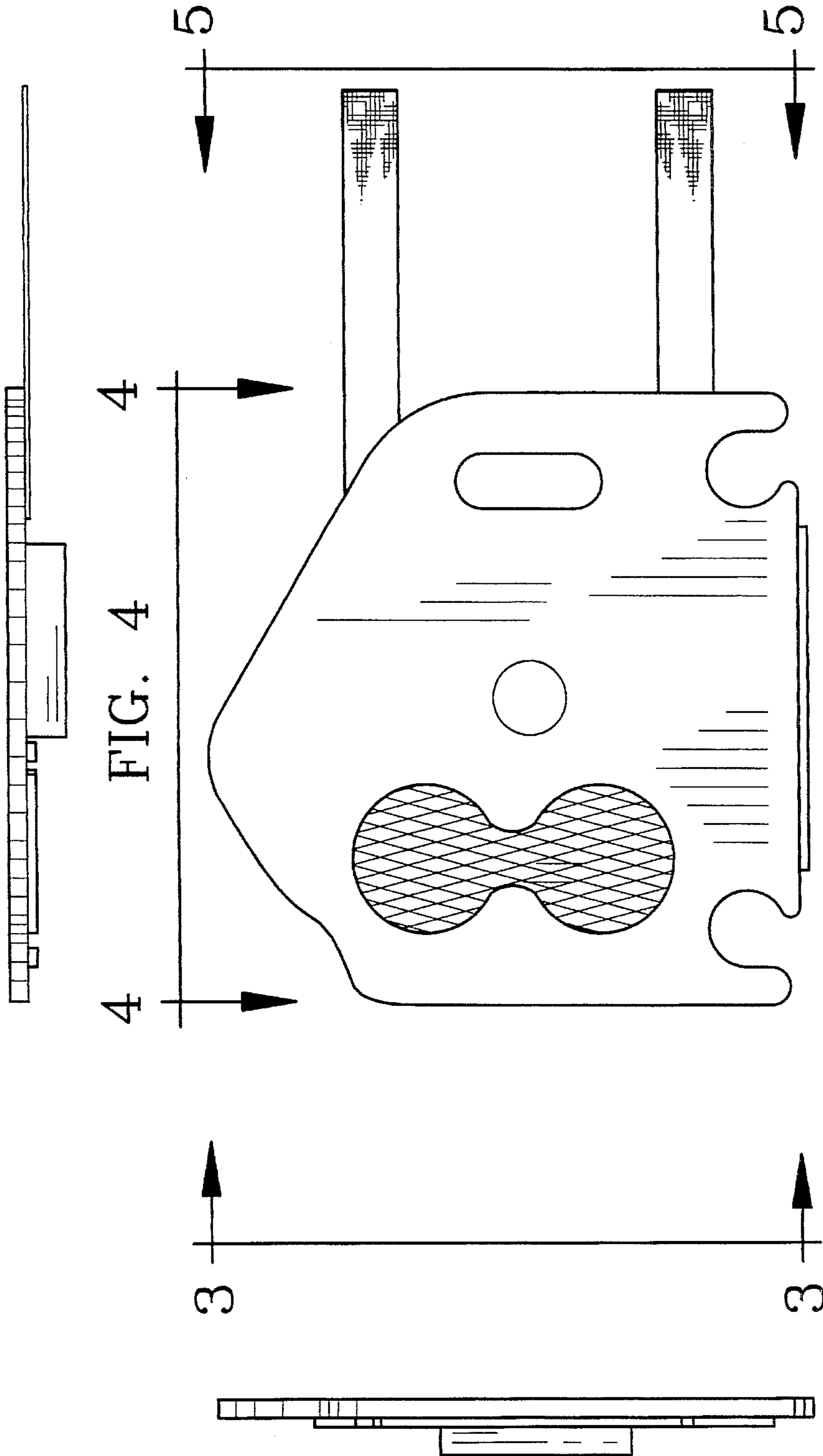


FIG. 5

FIG. 3

FIG. 6

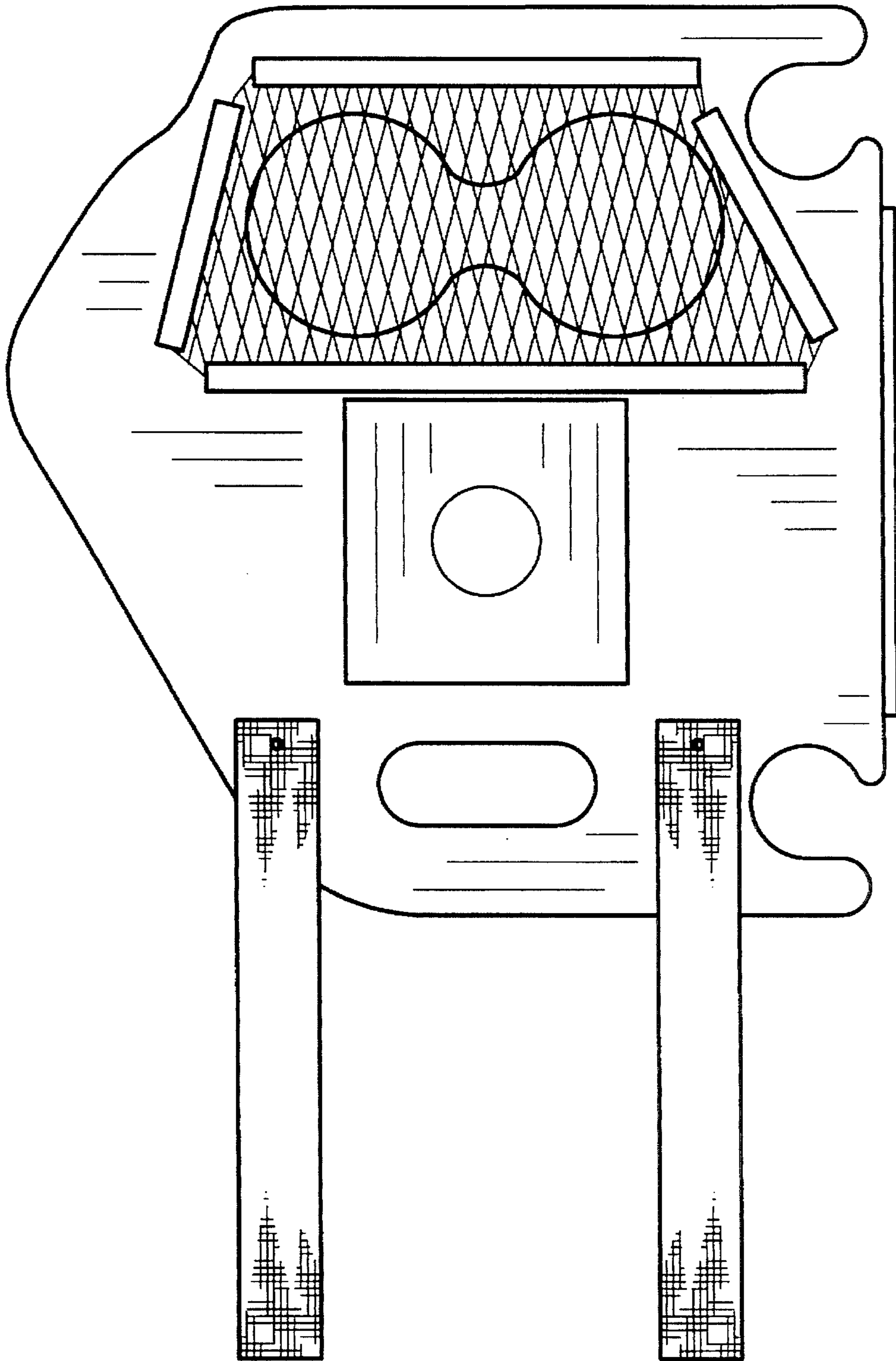


FIG. 2

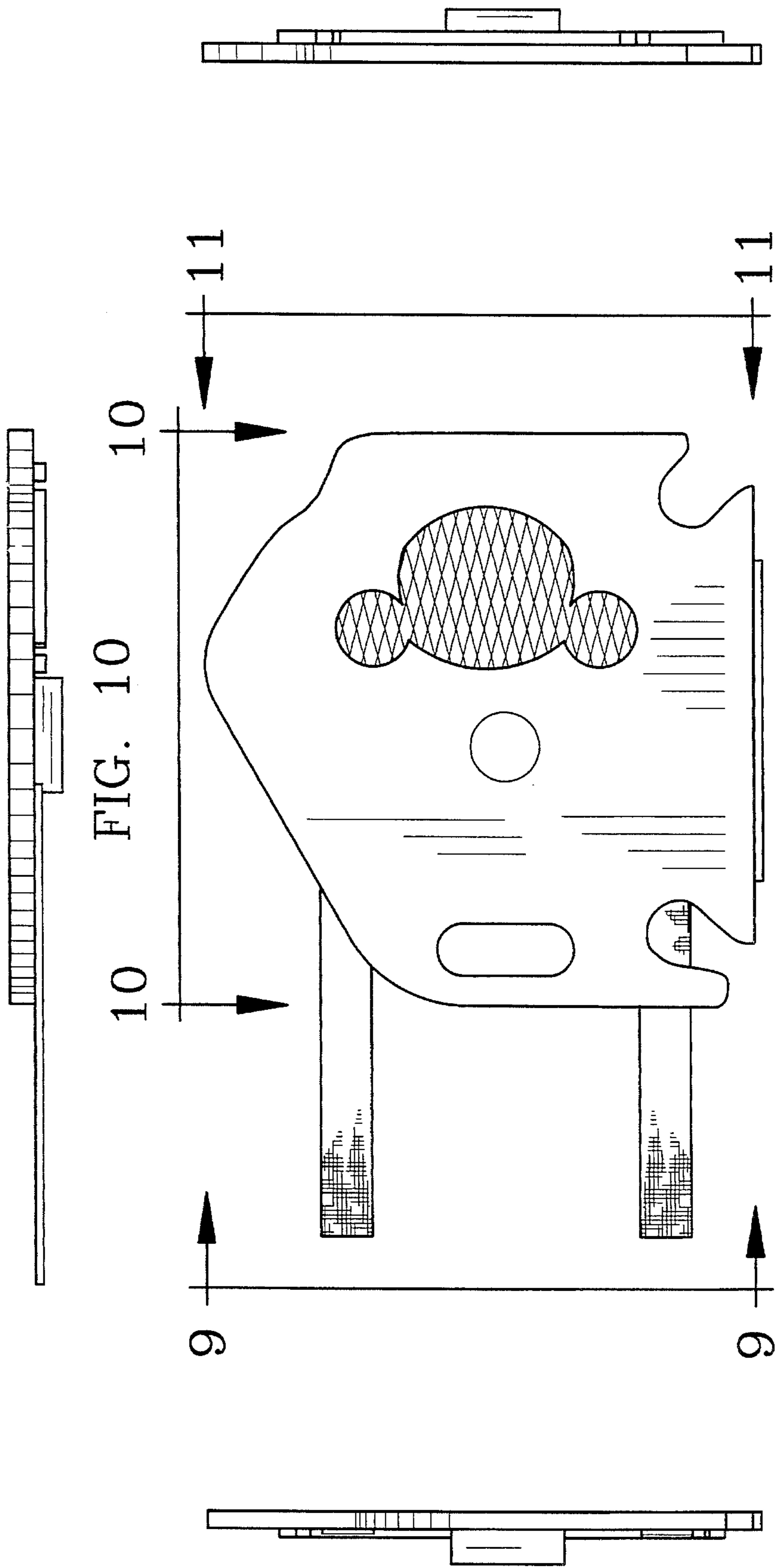


FIG. 10

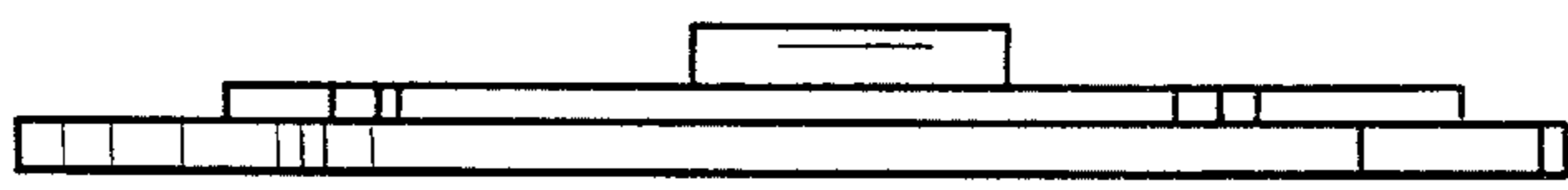
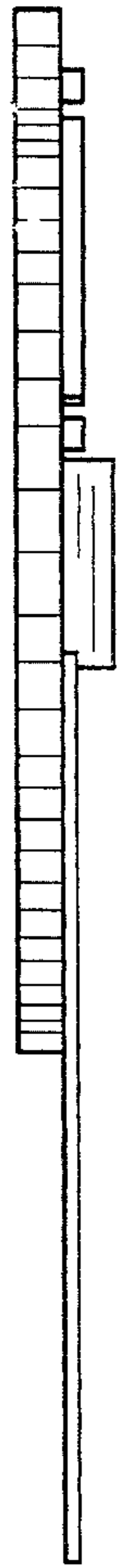


FIG. 7

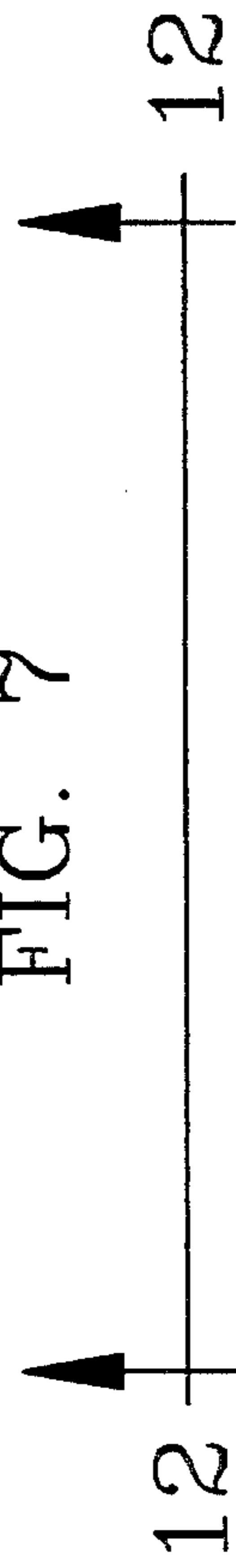


FIG. 9

FIG. 11



FIG. 12

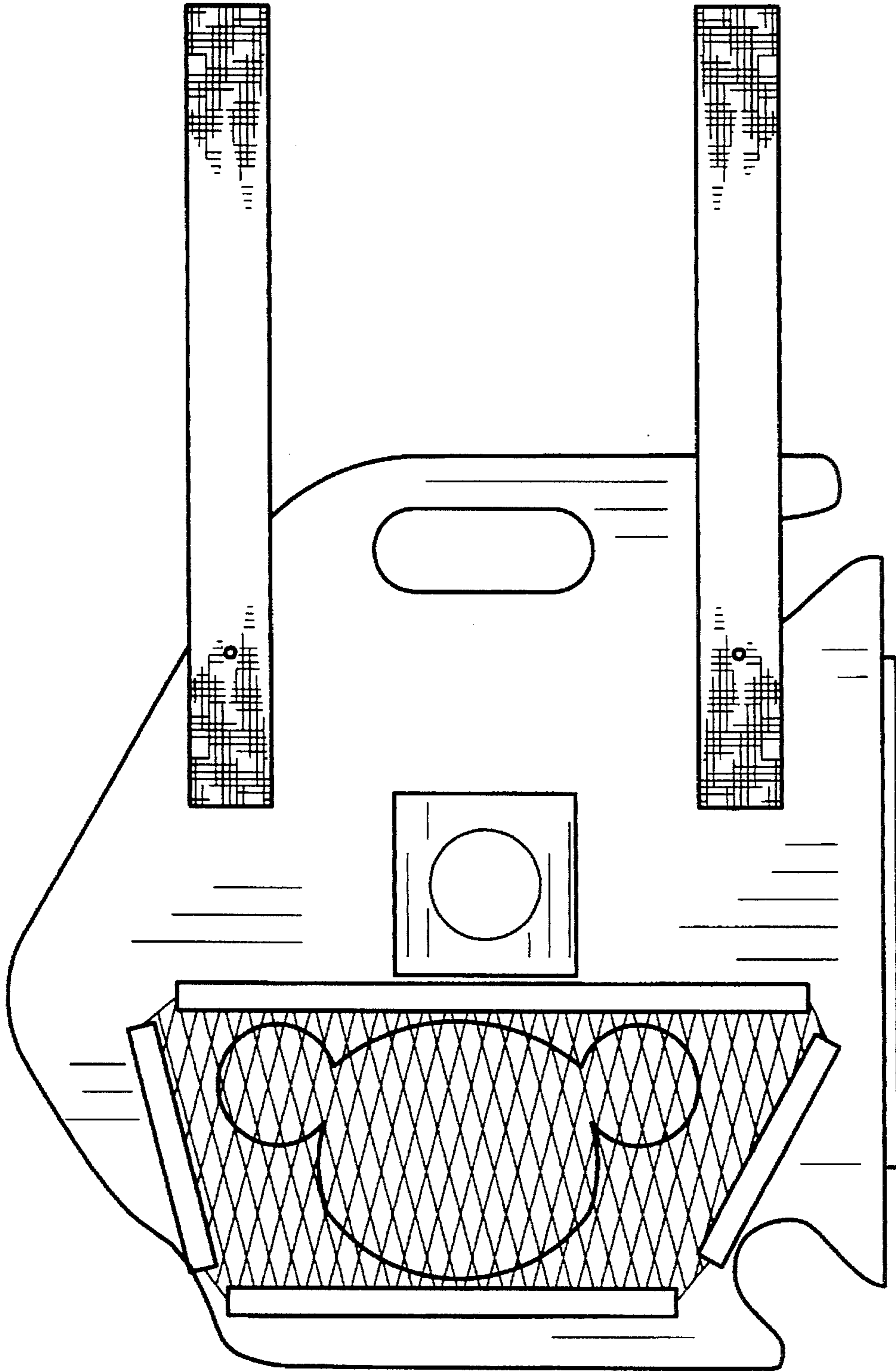


FIG. 8