



US00D372611S

United States Patent [19]

[11] **Patent Number: Des. 372,611**

Hodge et al.

[45] **Date of Patent: **Aug. 13, 1996**

[54] **CHAIR SEAT**

[75] Inventors: **David N. Hodge**, The Sea Ranch, Calif.; **Michael L. Deimen**; **David C. Jenkins**, both of Grand Rapids, Mich.; **Michael L. Mercier**, Grandville, Mich.; **Donald K. Sandberg**, Ada, Mich.; **David S. Teppo**, East Grand Rapids, Mich.

[73] Assignee: **Steelcase, Inc.**, Grand Rapids, Mich.

[**] Term: **14 Years**

[21] Appl. No.: **24,007**

[22] Filed: **Jun. 6, 1994**

Related U.S. Application Data

[63] Continuation-in-part of Ser. No. 15,411, Nov. 16, 1993, and Ser. No. 18,224, Feb. 1, 1994.

[52] **U.S. Cl.** **D6/500**

[58] **Field of Search** D6/500-502, 334, D6/366, 379, 376, 368; 297/452.1, 452.14, 452.24, 452.55

[56] **References Cited**

U.S. PATENT DOCUMENTS

- 84,755 12/1868 Perry et al. .
- 216,203 6/1879 Marx .
- 221,073 7/1971 Long .
- 227,210 6/1973 Winrow .
- 227,958 7/1973 Fisher .
- 228,594 10/1973 Korch .
- 238,915 2/1976 Long .
- 245,819 9/1977 Tillberg .
- 308,300 6/1990 Dozsa-Farkas .
- 308,301 6/1990 Dozsa-Farkas .
- 308,302 6/1990 Dozsa-Farkas .
- 308,303 6/1990 Dozsa-Farkas .
- 308,304 6/1990 Dozsa-Farkas .
- 308,306 6/1990 Dozsa-Farkas .
- 309,531 7/1990 Dozsa-Farkas .
- 309,837 8/1990 Dozsa-Farkas .
- D. 330,119 10/1992 Armgardt D6/379
- D. 330,808 11/1992 Citterio D6/366
- D. 330,809 11/1992 Citterio D6/366

- 332,182 1/1993 Citterio .
- 337,449 7/1993 Bertoldi .
- D. 349,621 8/1994 Wilson D6/501
- 362,796 5/1887 Tait .
- 4,252,367 2/1981 Vanderminden .
- 4,401,343 8/1983 Schmidt .
- 4,504,090 3/1985 Goldman .
- 4,790,600 12/1988 Behringer .
- 4,840,426 6/1989 Vogtherr et al. .
- 4,911,501 3/1990 Decker et al. .
- 5,035,466 7/1991 Mathews et al. .
- 5,046,780 9/1991 Decker et al. .

OTHER PUBLICATIONS

Hag Scio Collection Brochure.
Steelcase, Inc, Broadmoor "Canecreek" Sheet Jun. 1994.
GF Office Furniture, Ltd., Polytrop Seating Sheet, 1992.

Primary Examiner—Janice E. Seeger
Attorney, Agent, or Firm—Price, Heneveld, Cooper, DeWitt & Litton

[57] **CLAIM**

The ornamental design for a chair seat, as shown and described.

DESCRIPTION

FIG. 1 is a front perspective view of a chair seat, showing our new design;
FIG. 2 is a rear perspective view;
FIG. 3 is a left-hand side elevational view;
FIG. 4 is a right-hand side elevational view;
FIG. 5 is a front elevational view;
FIG. 6 is a rear elevational view; and
FIG. 7 is a top plan view thereof;
FIG. 8 is a front perspective view of another embodiment of our design;
FIG. 9 is a rear perspective view;
FIG. 10 is a left-hand side elevational view;
FIG. 11 is a right-hand side elevational view;
FIG. 12 is a front elevational view;
FIG. 13 is a rear elevational view;
FIG. 14 is a top plan view thereof;
FIG. 15 is a bottom plan view of the embodiment of FIG. 1; and,

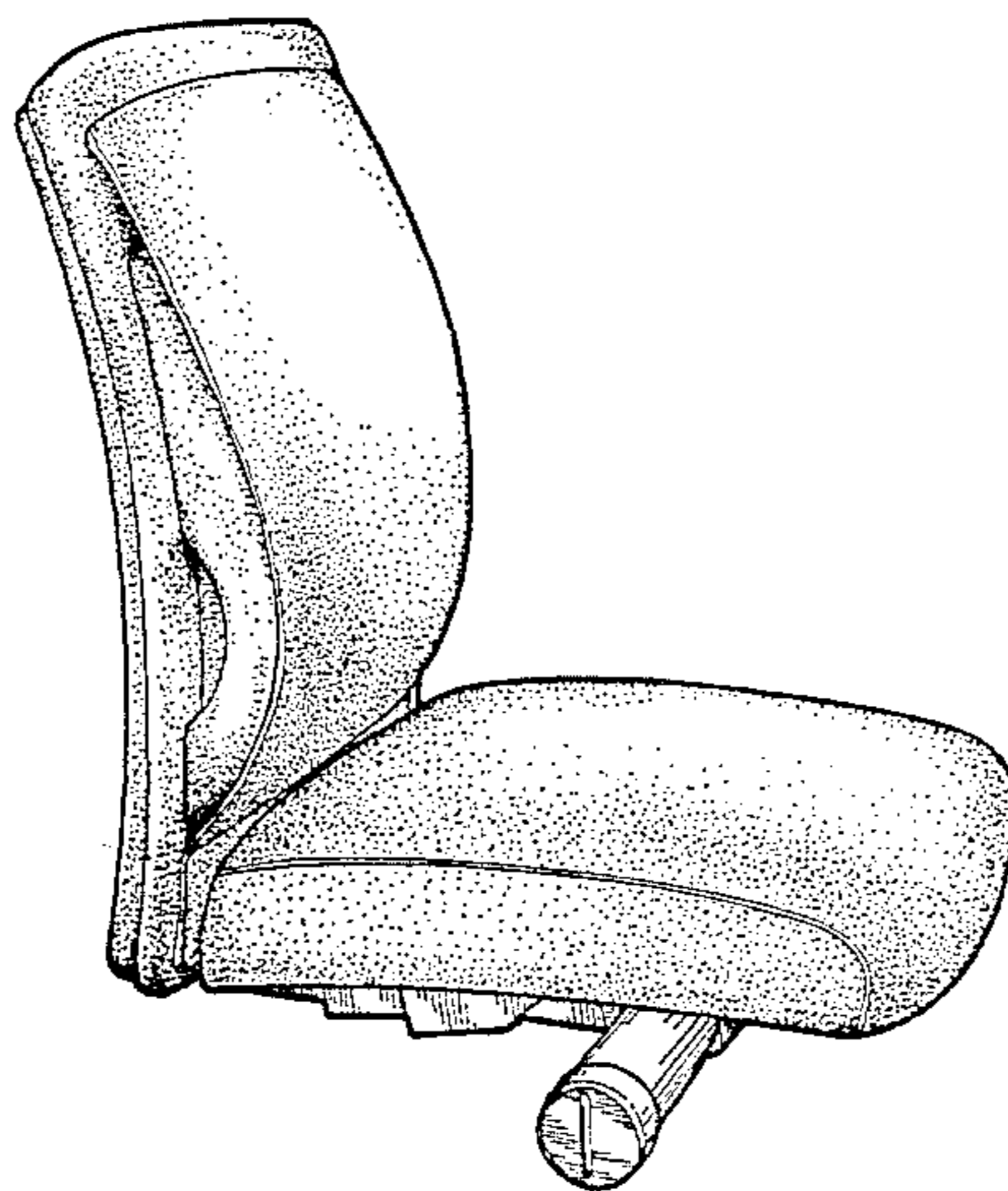


FIG. 16 is a bottom plan view of the embodiment of FIG. 8.

1 Claim, 8 Drawing Sheets

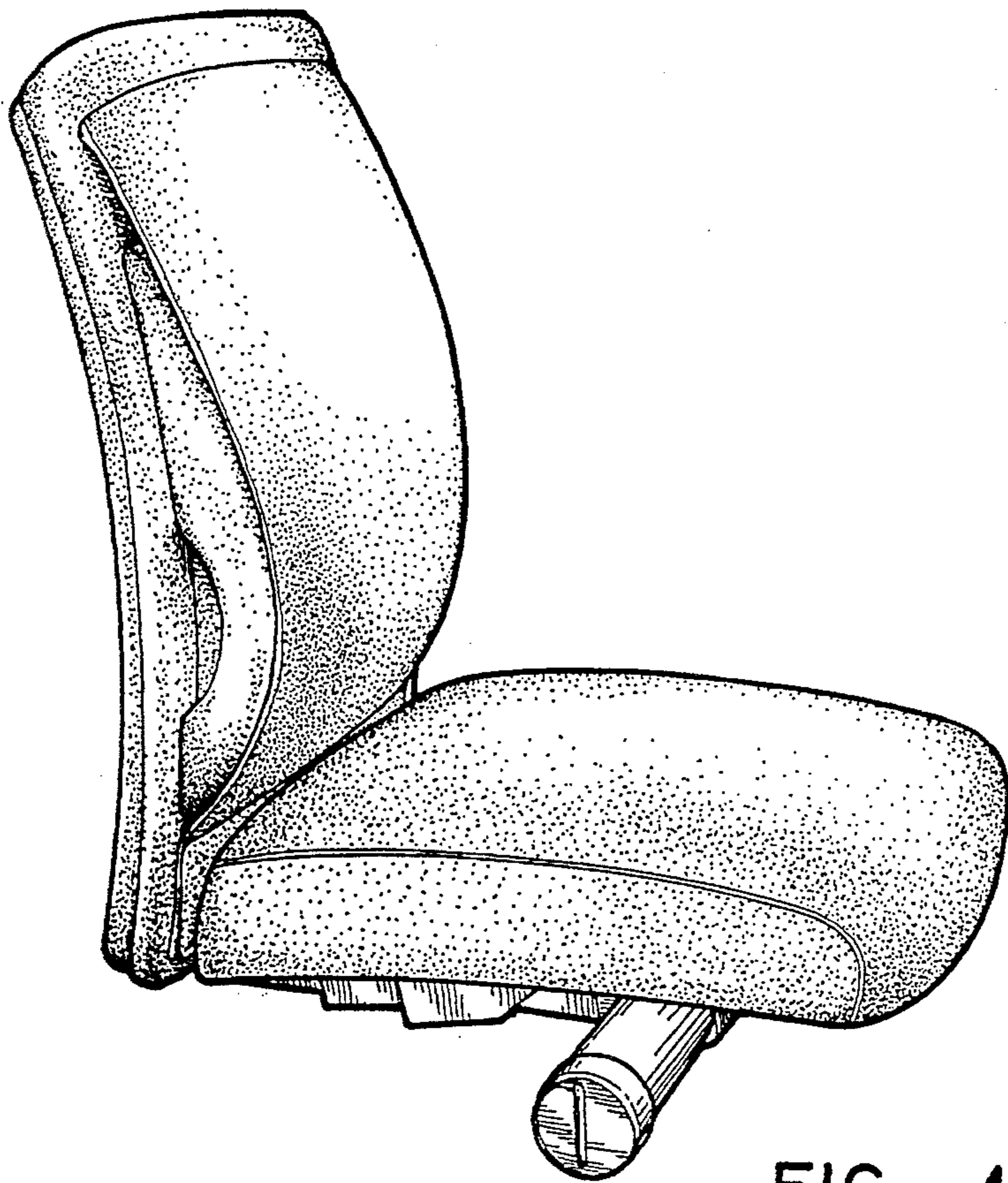


FIG. 1

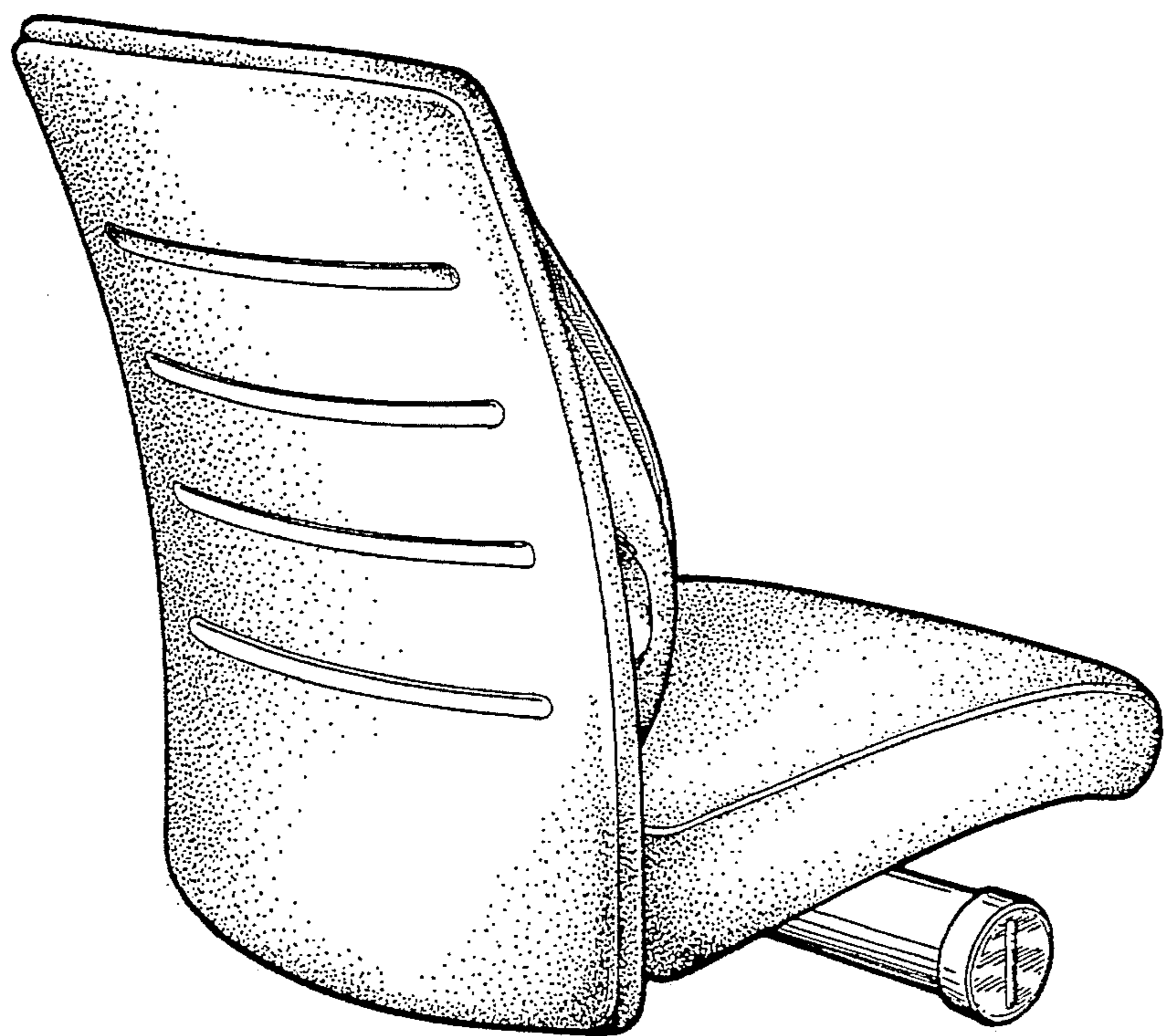


FIG. 2

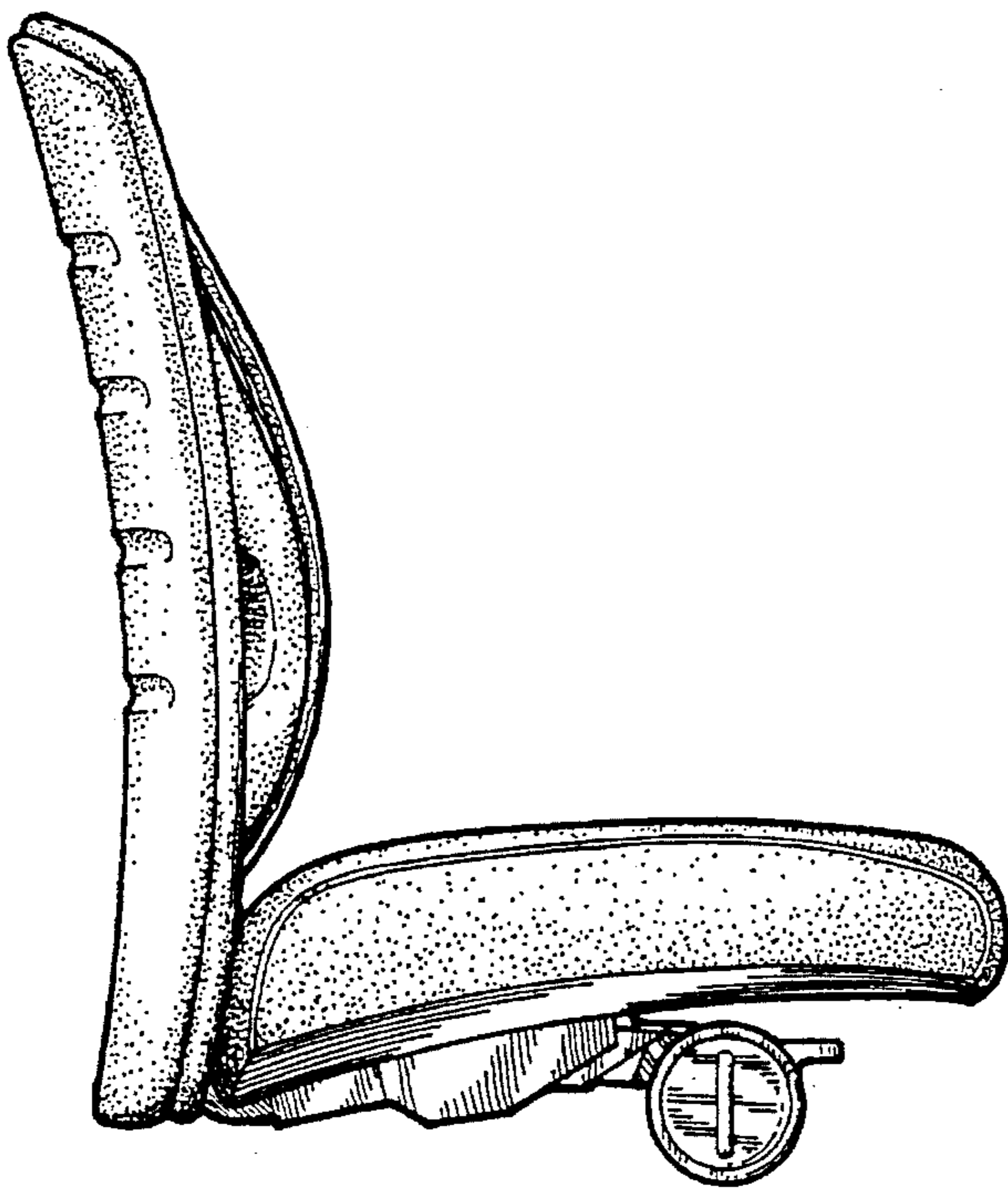


FIG. 4

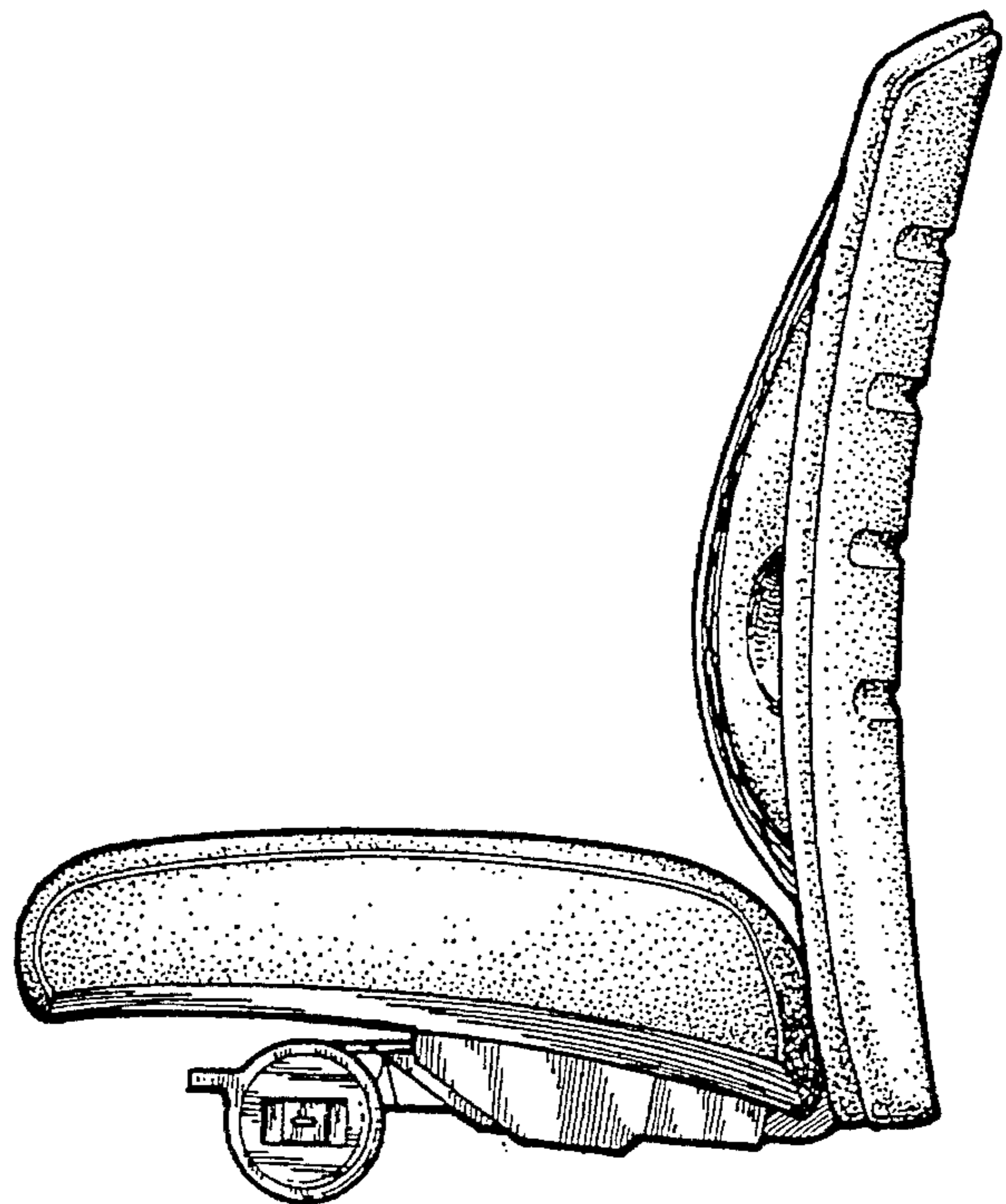


FIG. 3

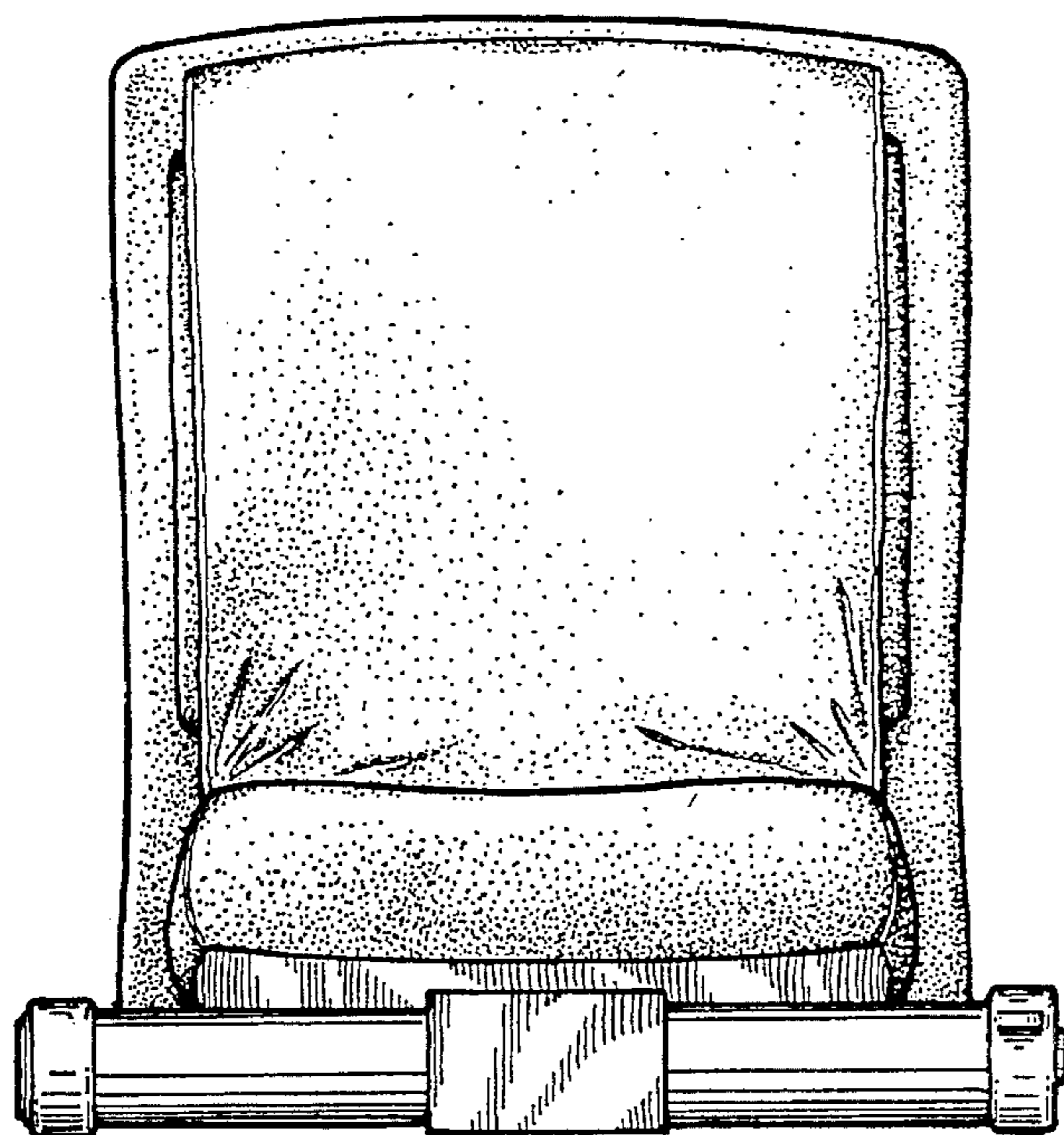


FIG. 5

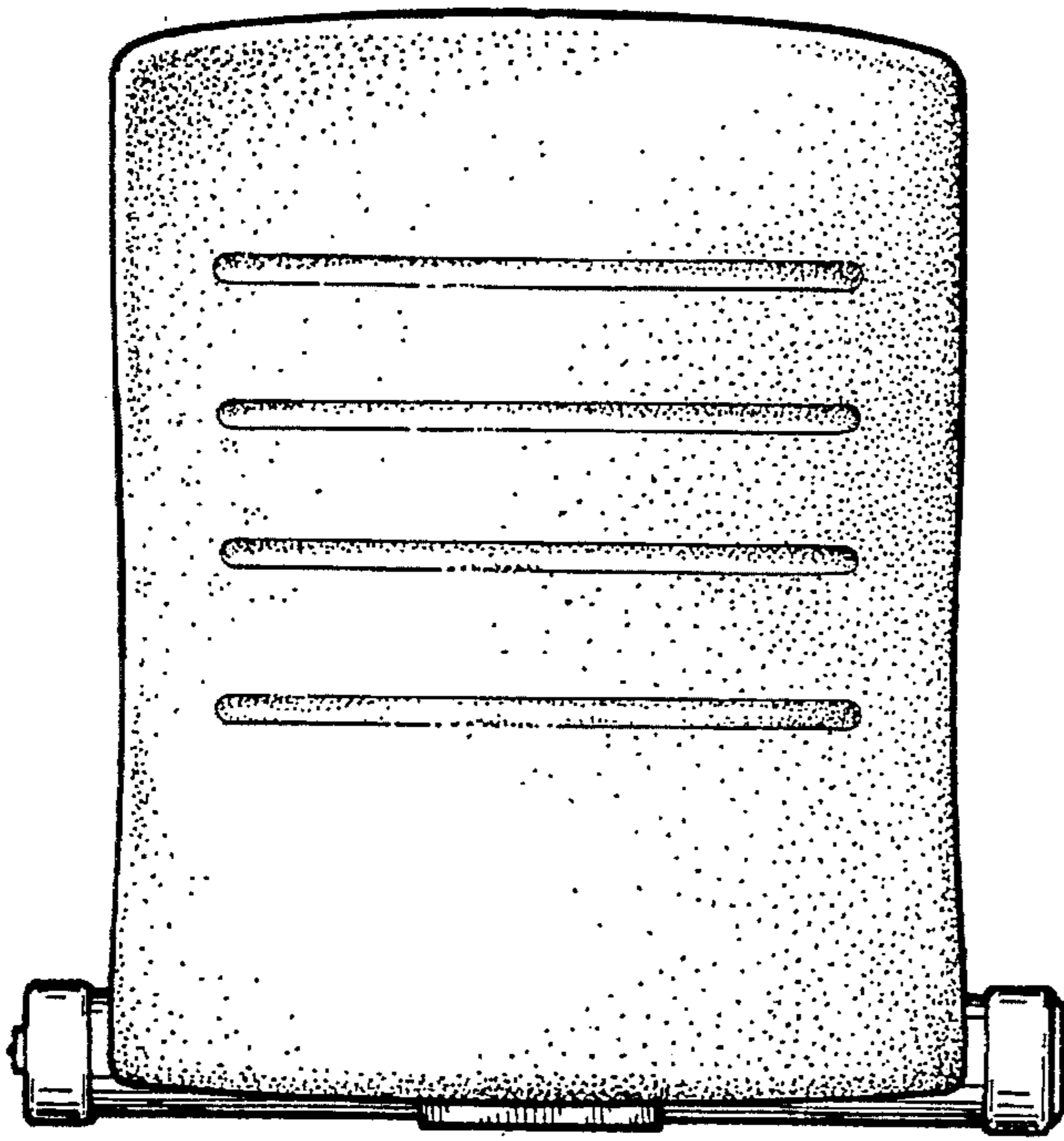


FIG. 6

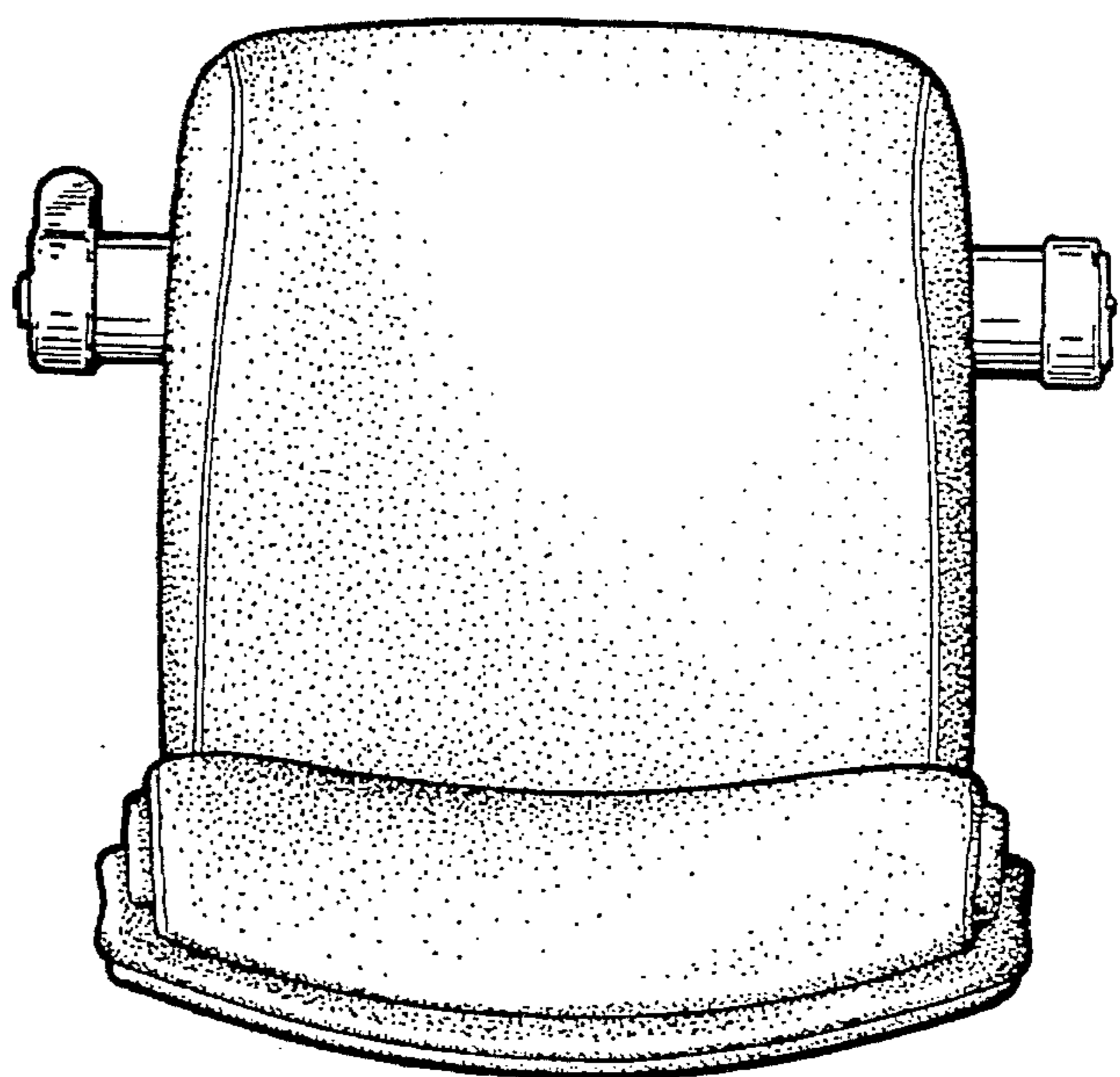


FIG. 7

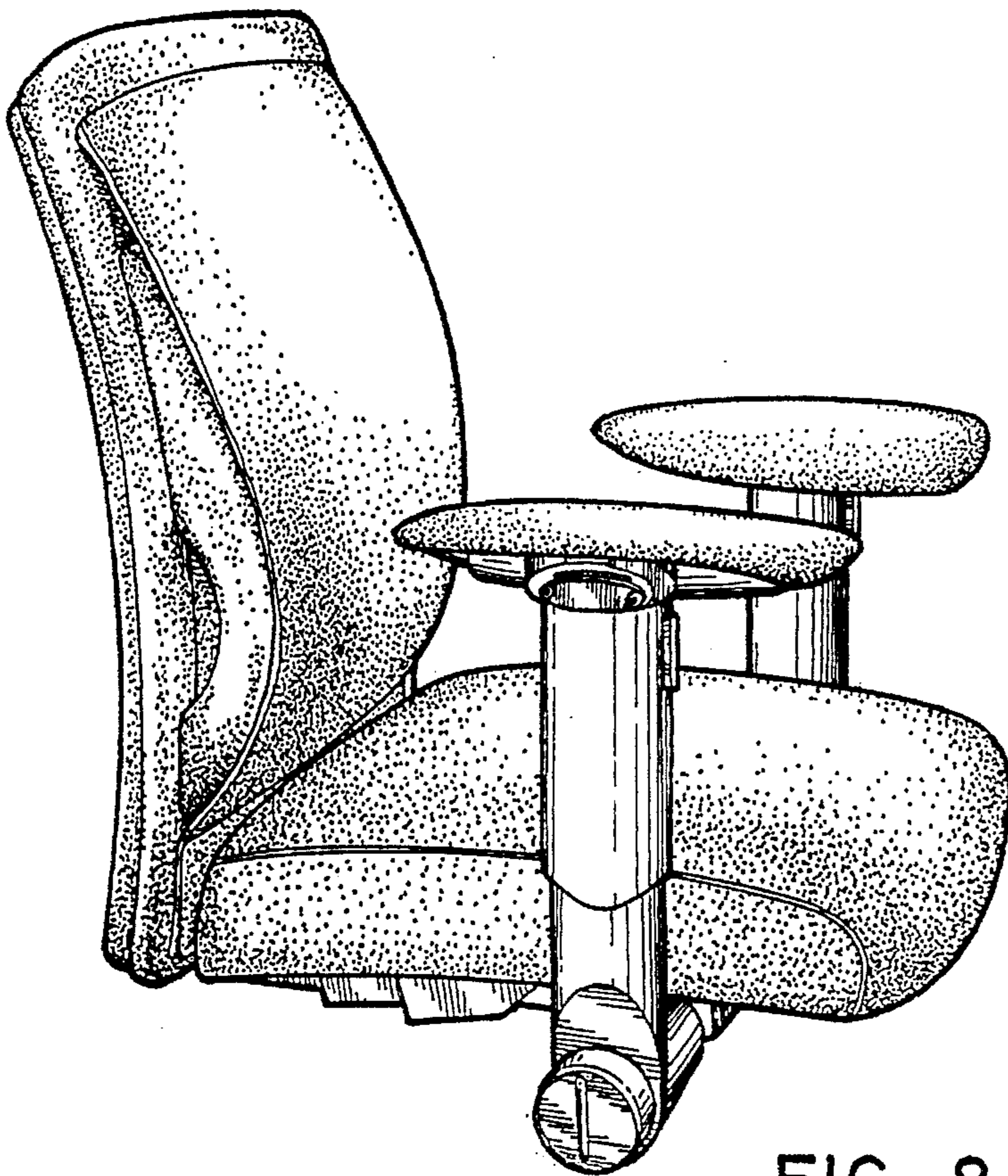


FIG. 8

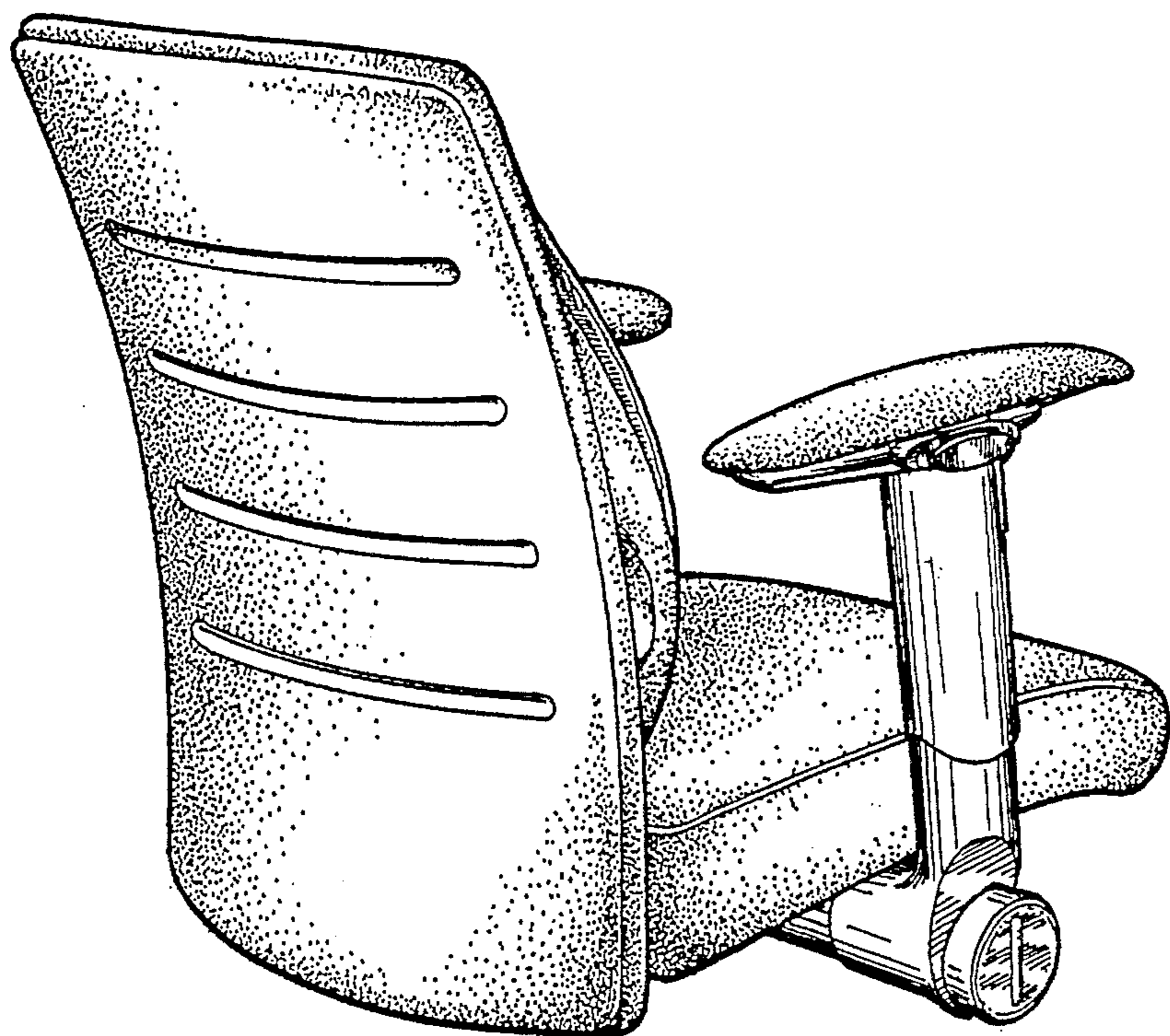


FIG. 9

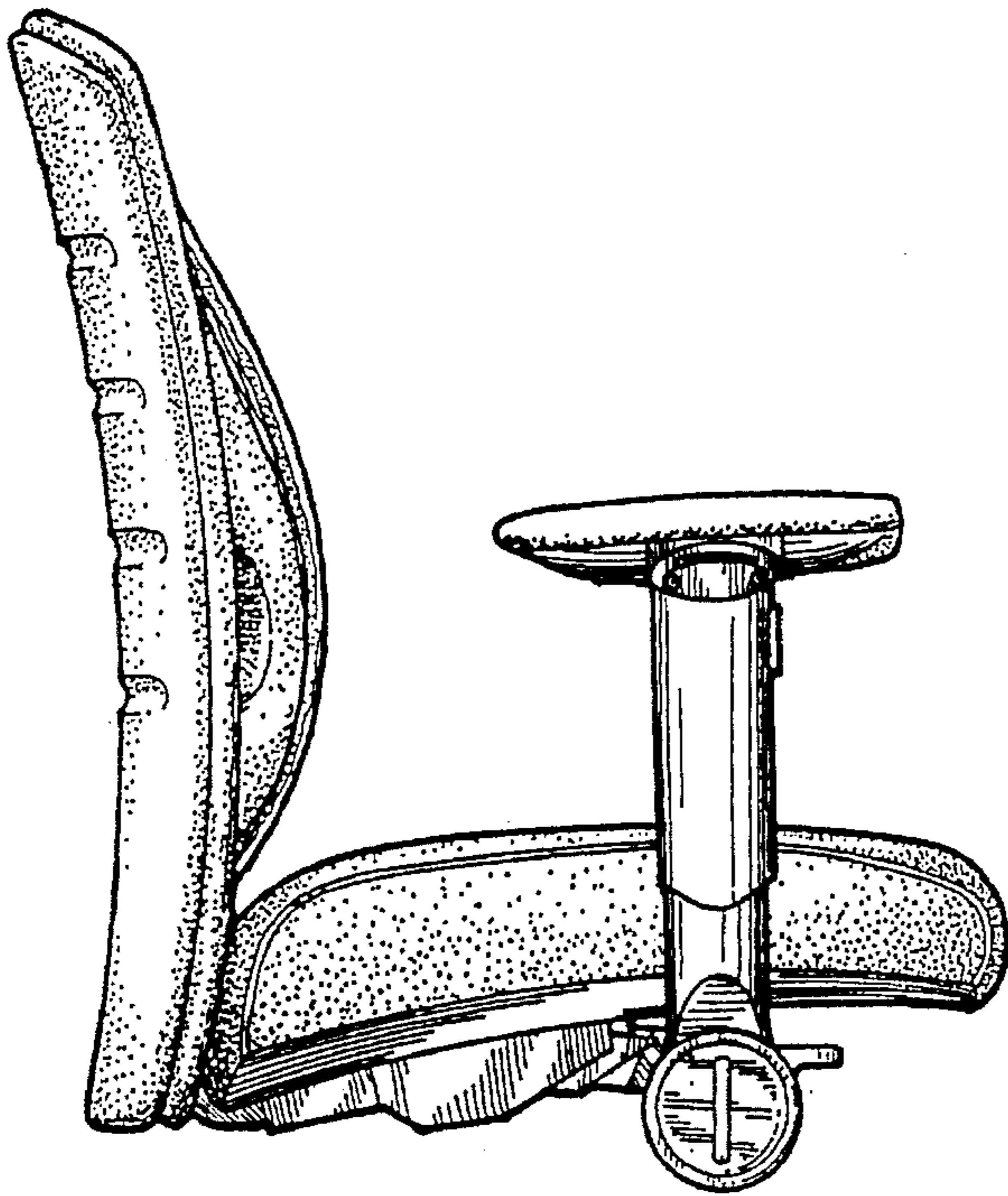


FIG. 10

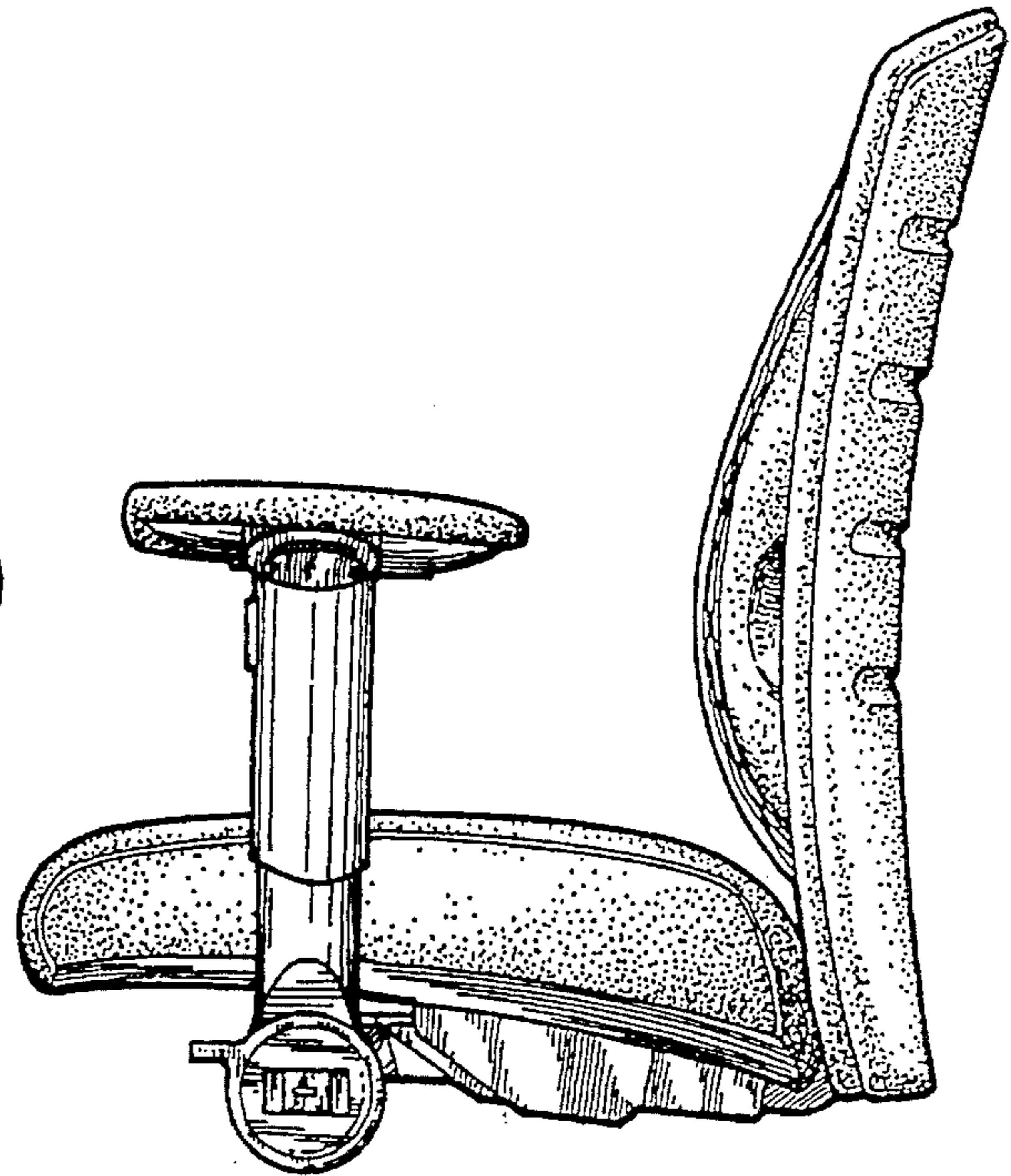


FIG. 11

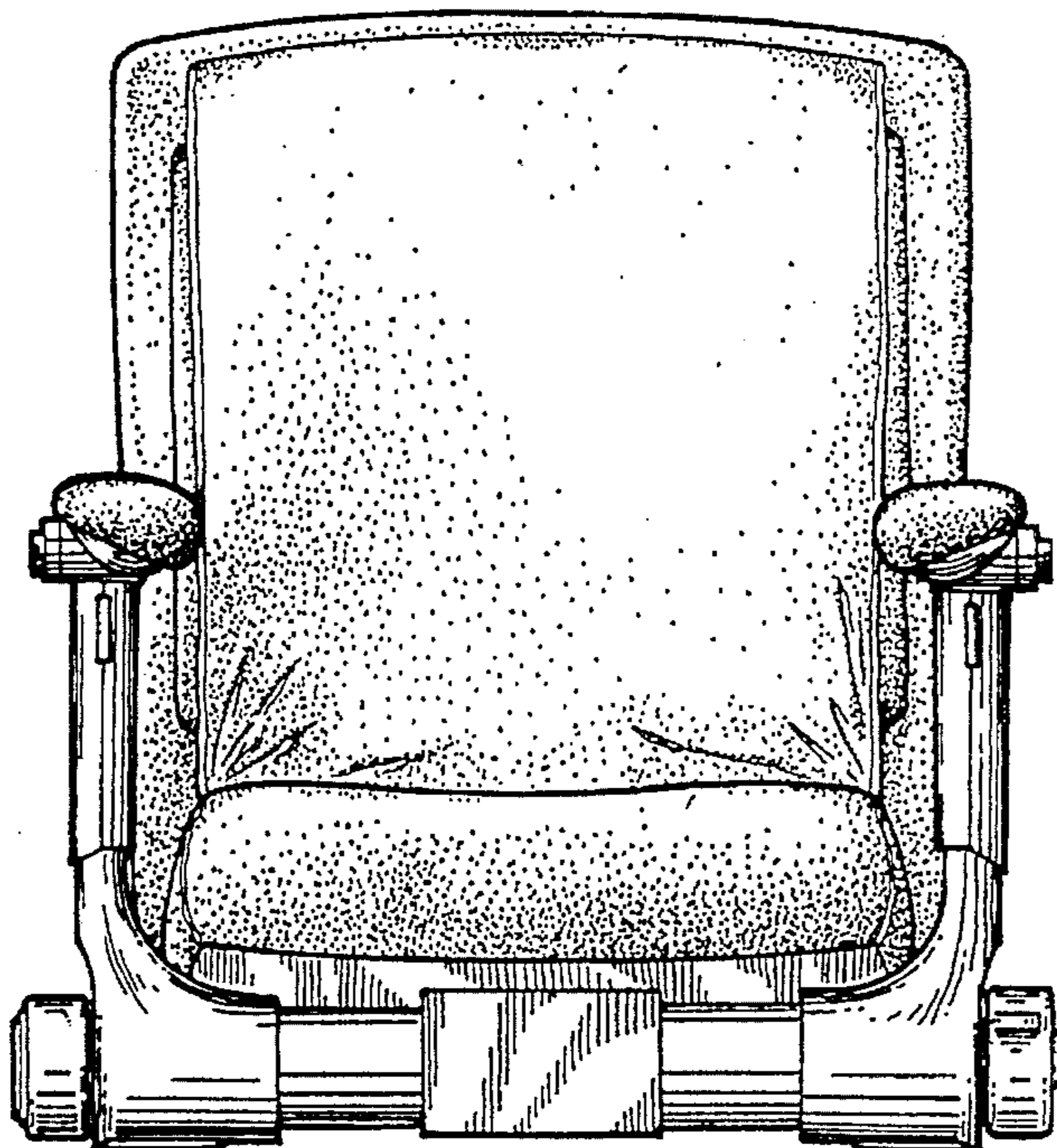


FIG. 12

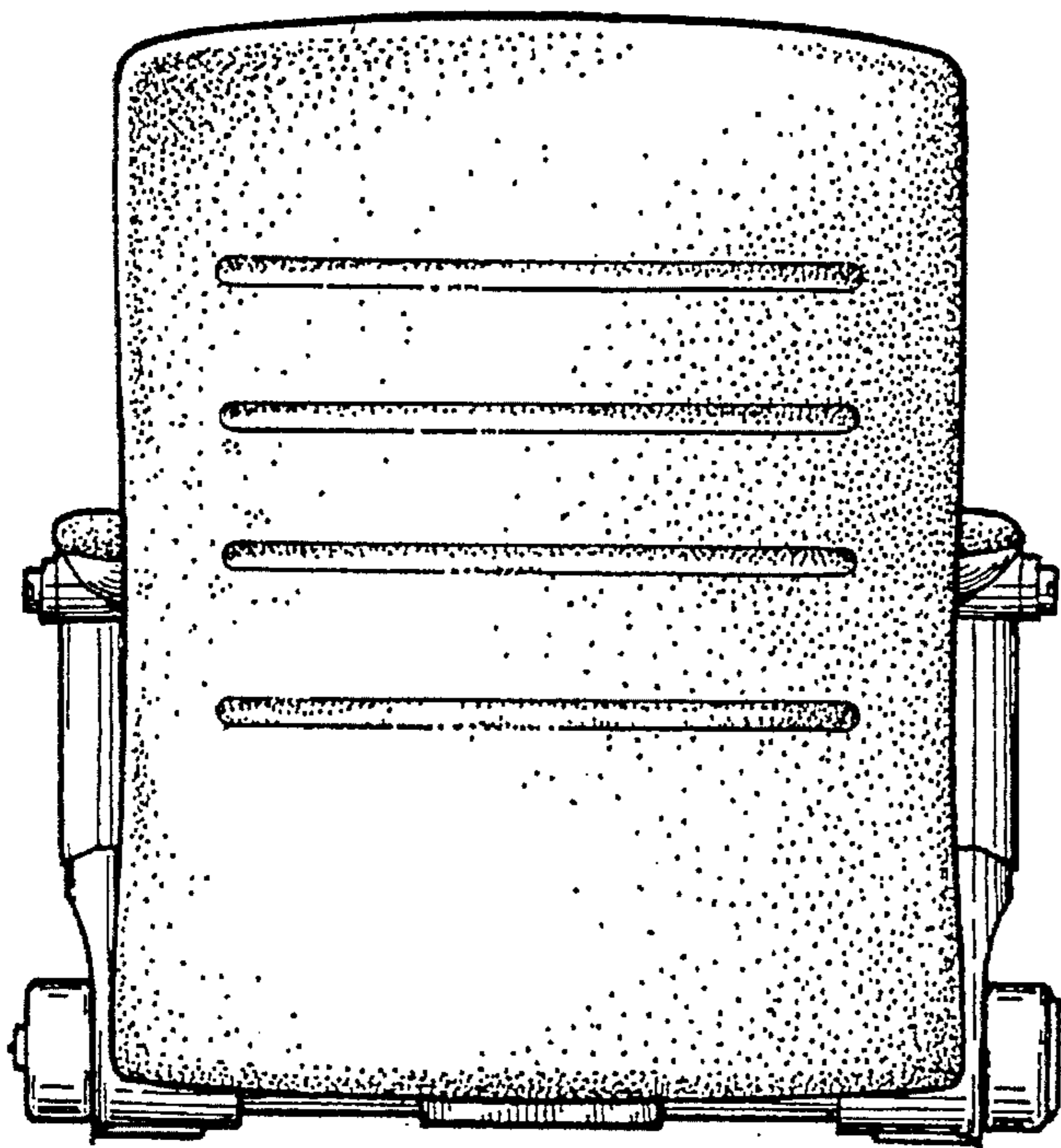


FIG. 13

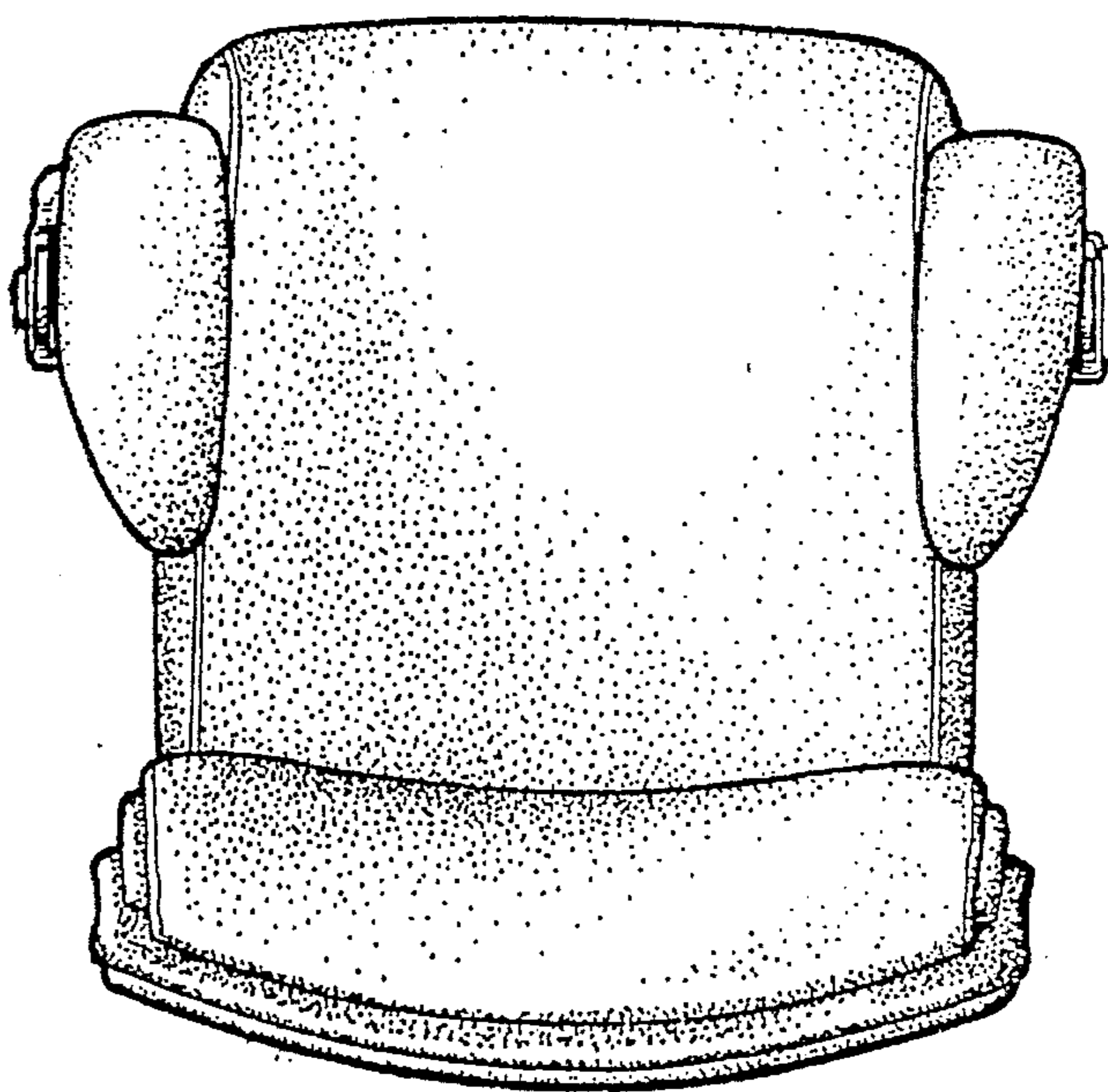


FIG. 14

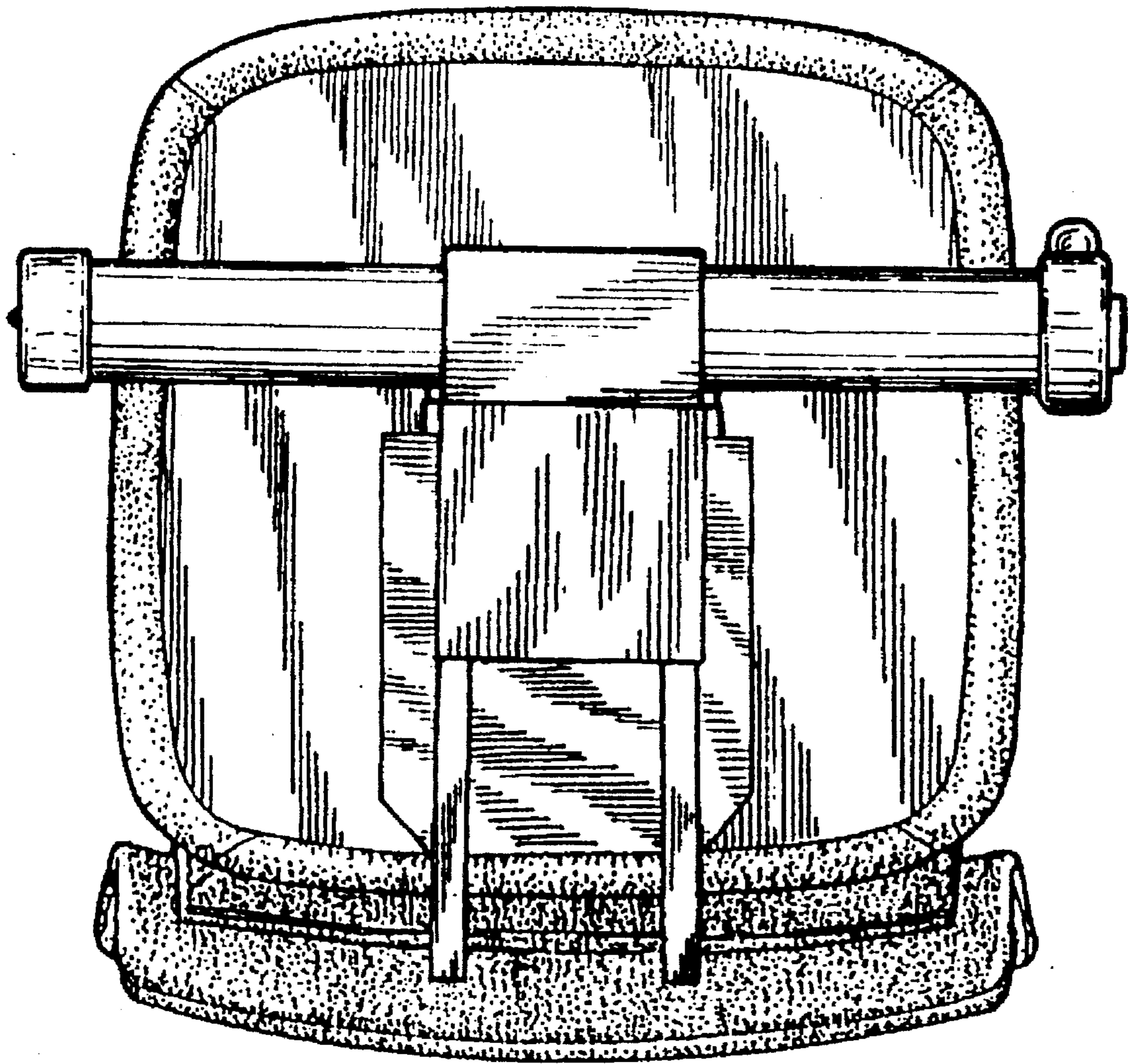


FIG. 15

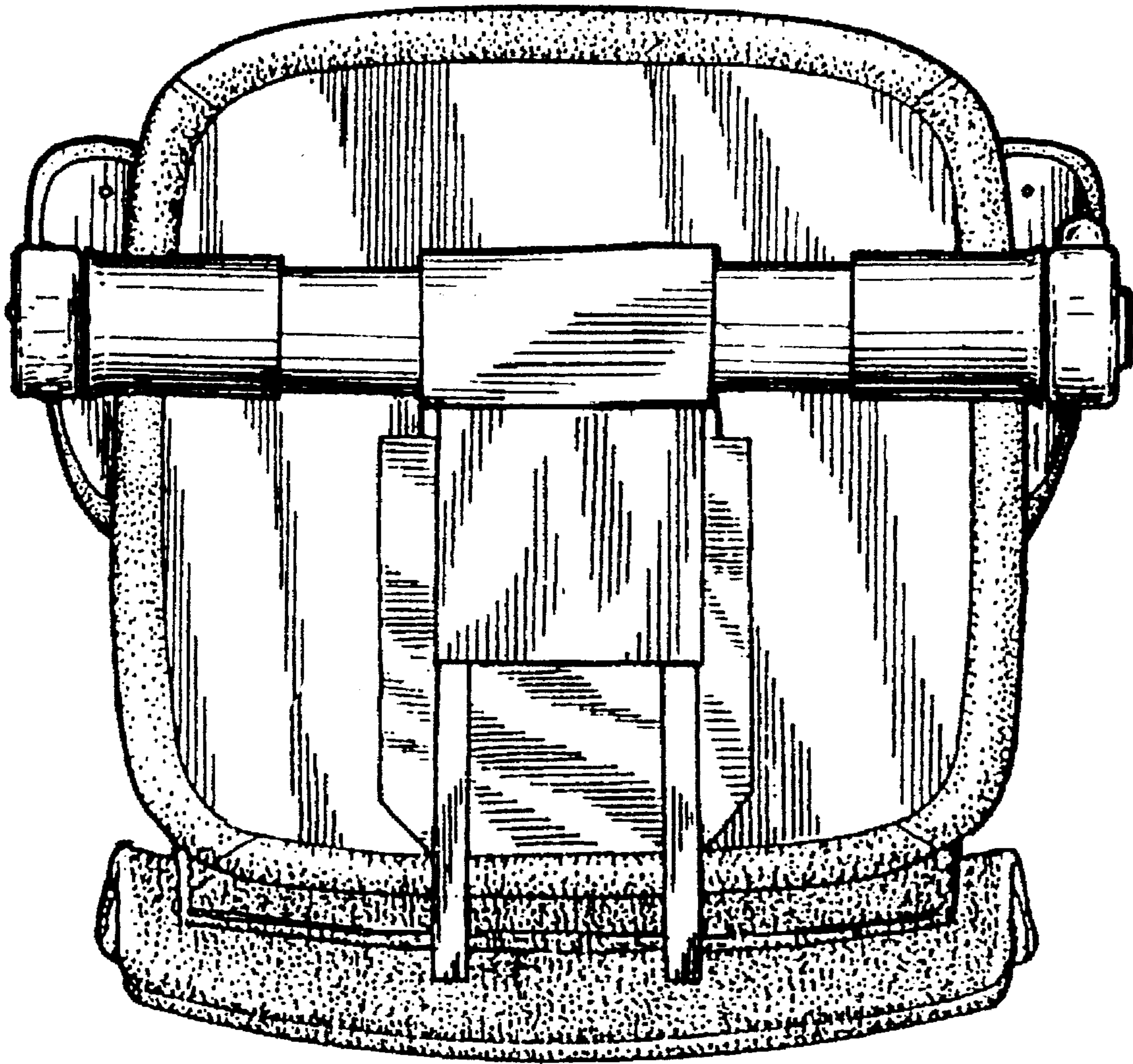


FIG. 16