



US00D372604S

United States Patent [19]
Frederiks

[11] **Patent Number: Des. 372,604**

[45] **Date of Patent: **Aug. 13, 1996**

[54] **PROPANE CYLINDER STORAGE CABINET**

D, 311,177 10/1990 Peters, III D14/102
D. 334,852 4/1993 Beirise D6/436

[75] Inventor: **Hank Frederiks**, North York, Canada

Primary Examiner—Alan P. Douglas

[73] Assignee: **Superior Propane Inc.**, Ontario, Canada

Assistant Examiner—S. Snapp

Attorney, Agent, or Firm—McDermott, Will & Emery

[**] Term: **14 Years**

[57] **CLAIM**

[21] Appl. No.: **21,844**

The ornamental design for a propane cylinder storage cabinet, as shown and described.

[22] Filed: **Apr. 25, 1994**

DESCRIPTION

[30] **Foreign Application Priority Data**

FIG. 1 is a front view showing my new design;

Oct. 25, 1993 [CA] Canada 25-10-93-2

FIG. 2 is a bottom view thereof;

[52] **U.S. Cl.** **D6/432**

FIG. 3 is a perspective view thereof with one of the doors shown in an opened position. The side of the storage cabinet that is not shown is identical to the side of the cabinet that is shown. The rear of the cabinet is plain and unornamented; and,

[58] **Field of Search** D6/396, 432-448, D6/449, 454, 455; 312/128, 210

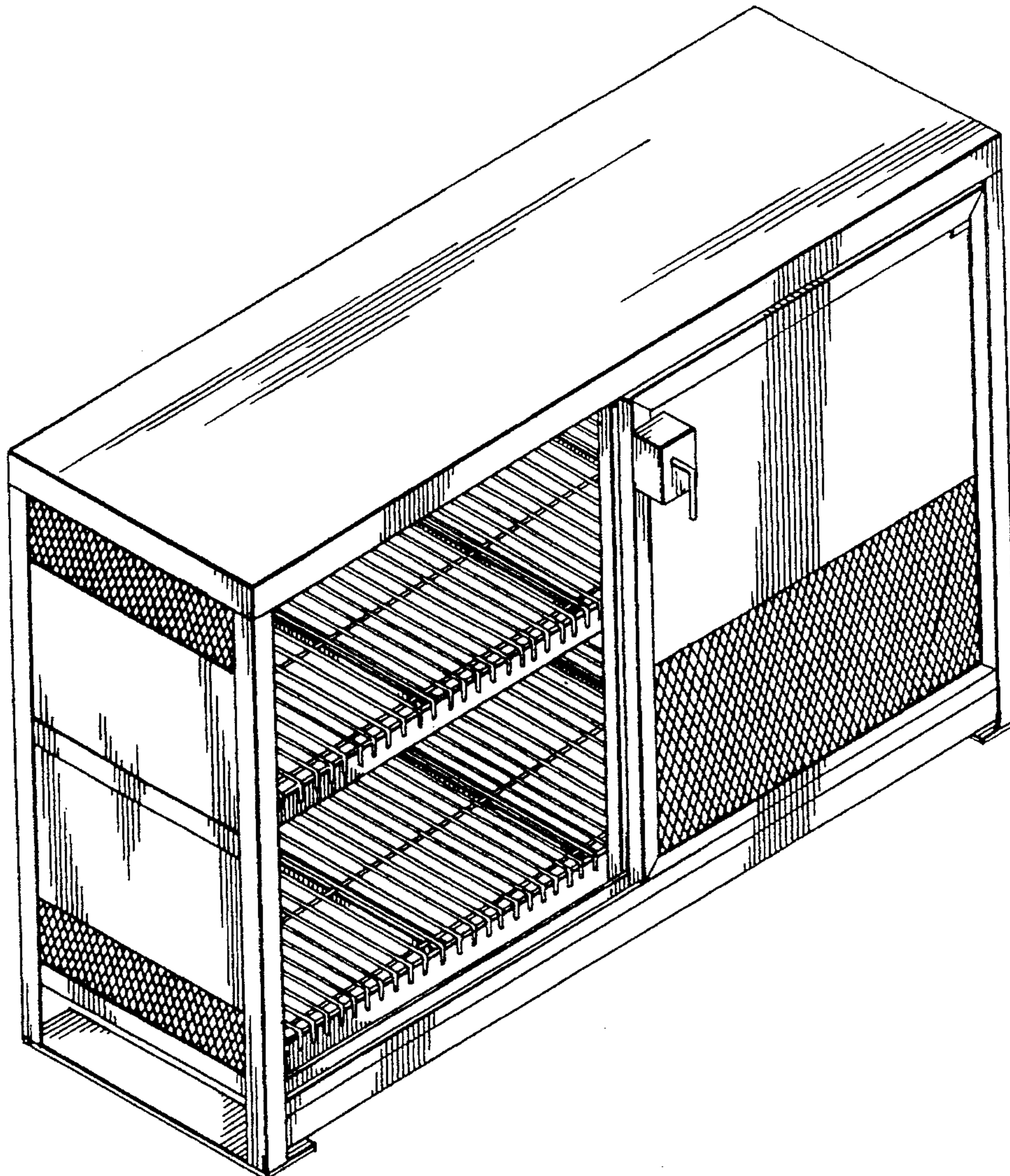
FIG. 4 is a perspective view of another embodiment thereof.

[56] **References Cited**

U.S. PATENT DOCUMENTS

D. 283,182 4/1986 Marshall D6/432

1 Claim, 3 Drawing Sheets



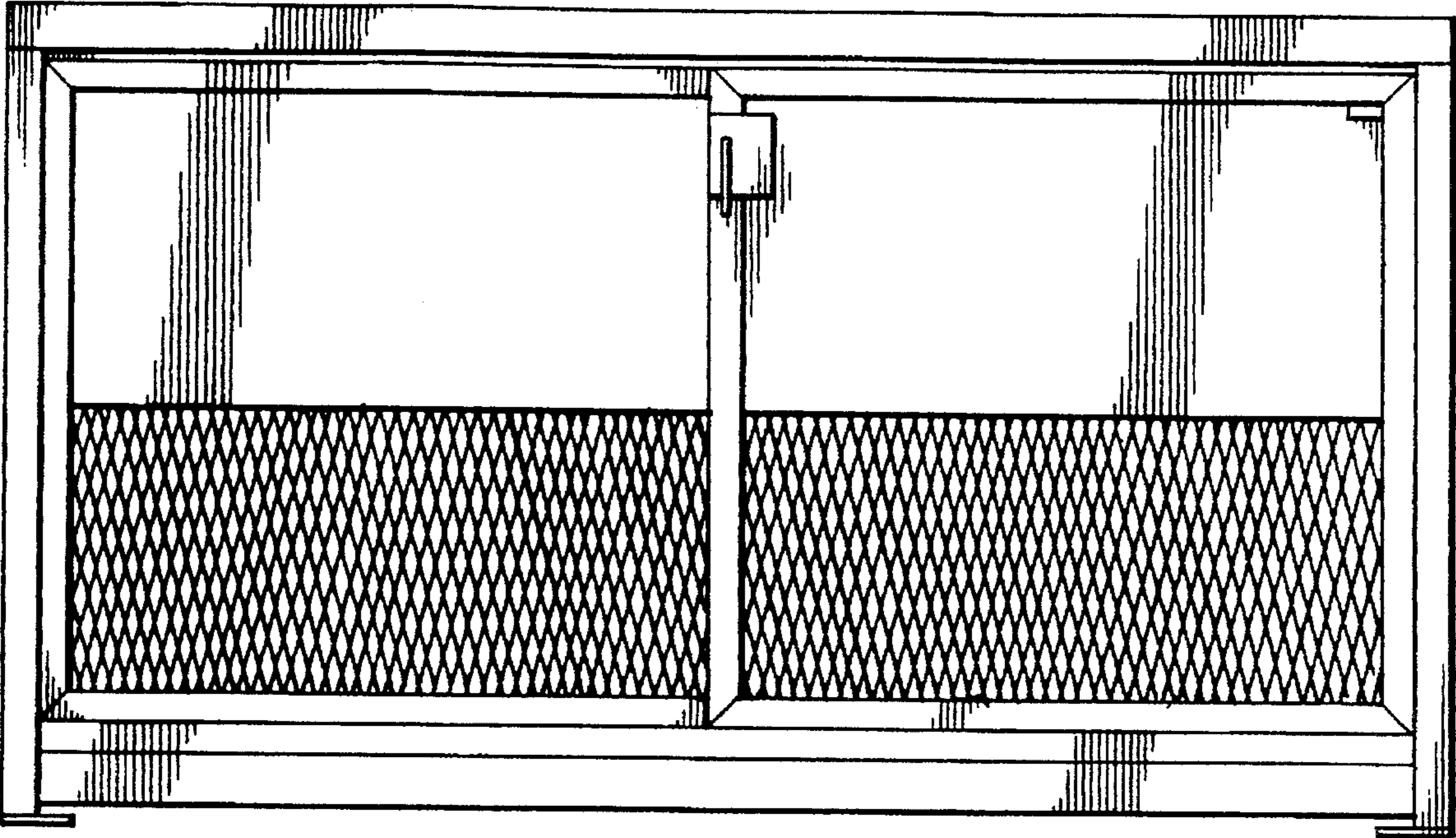


FIG. 1

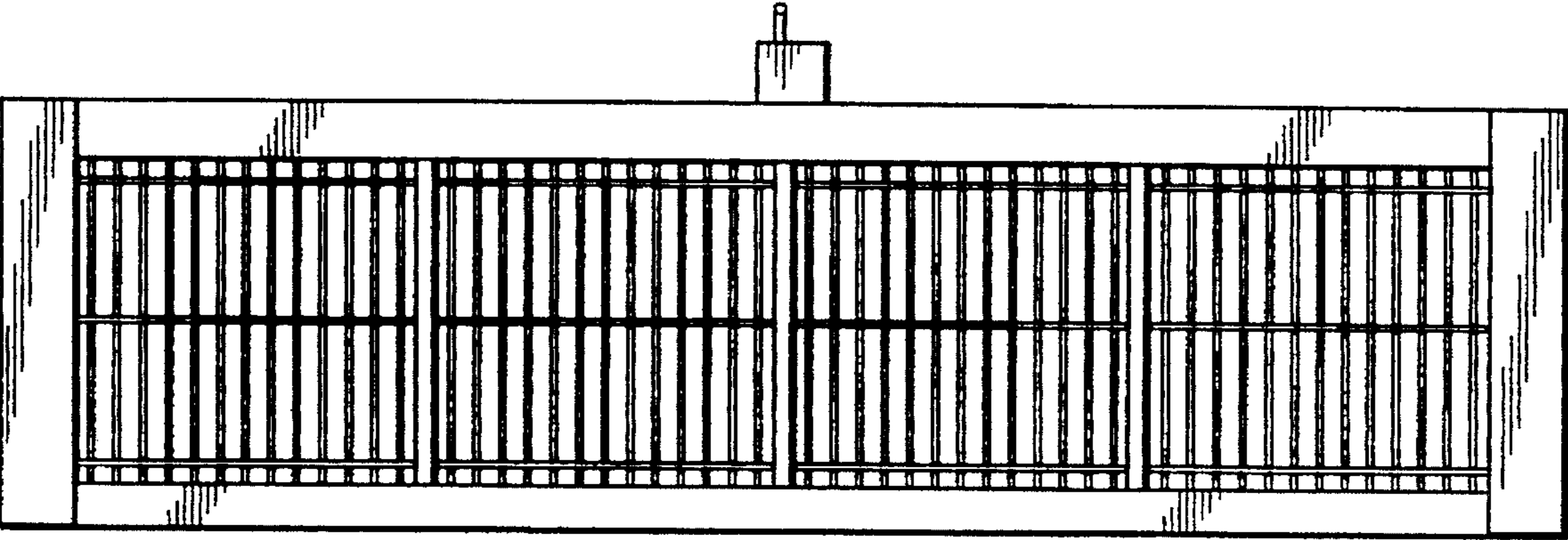


FIG. 2

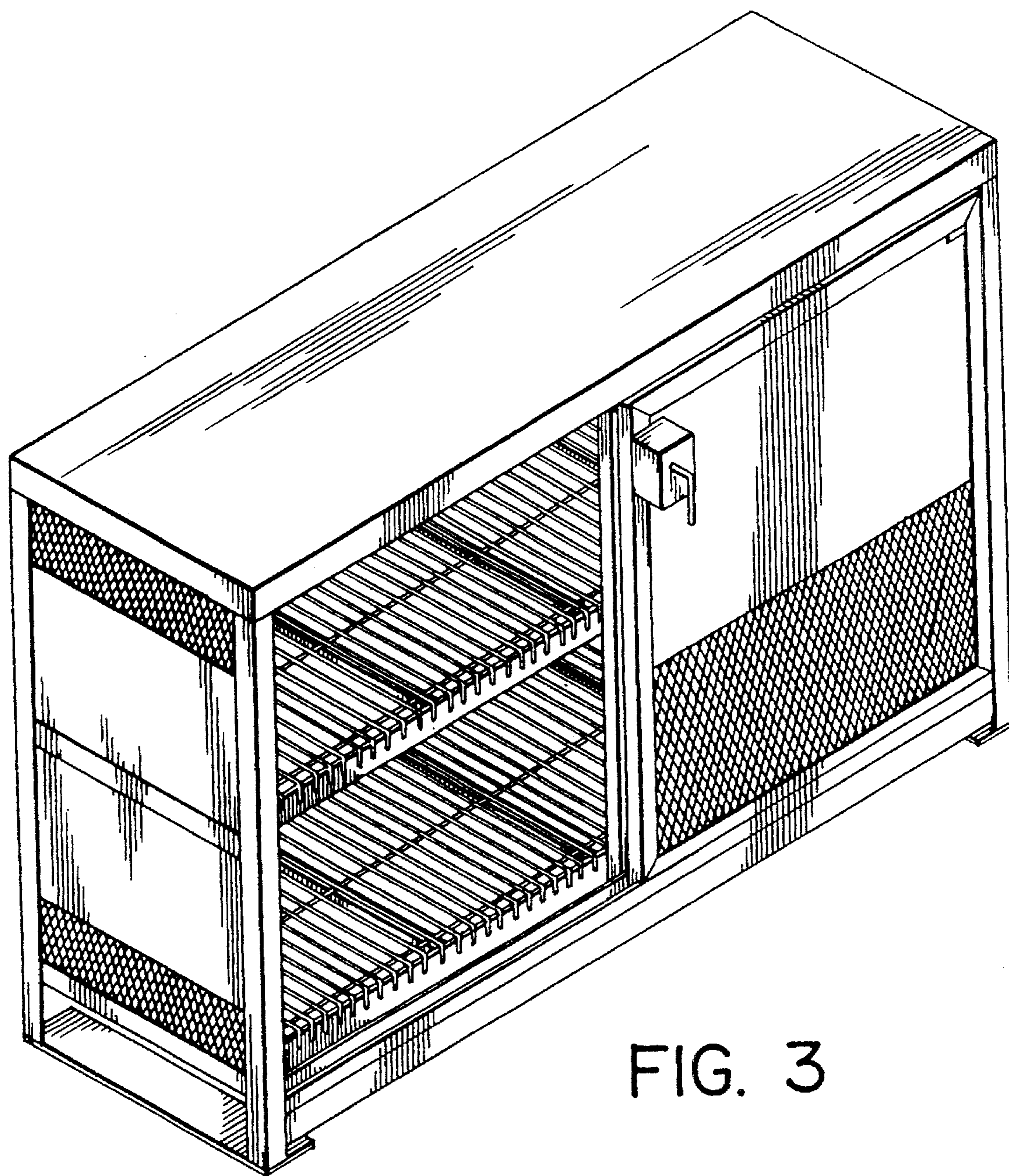


FIG. 3

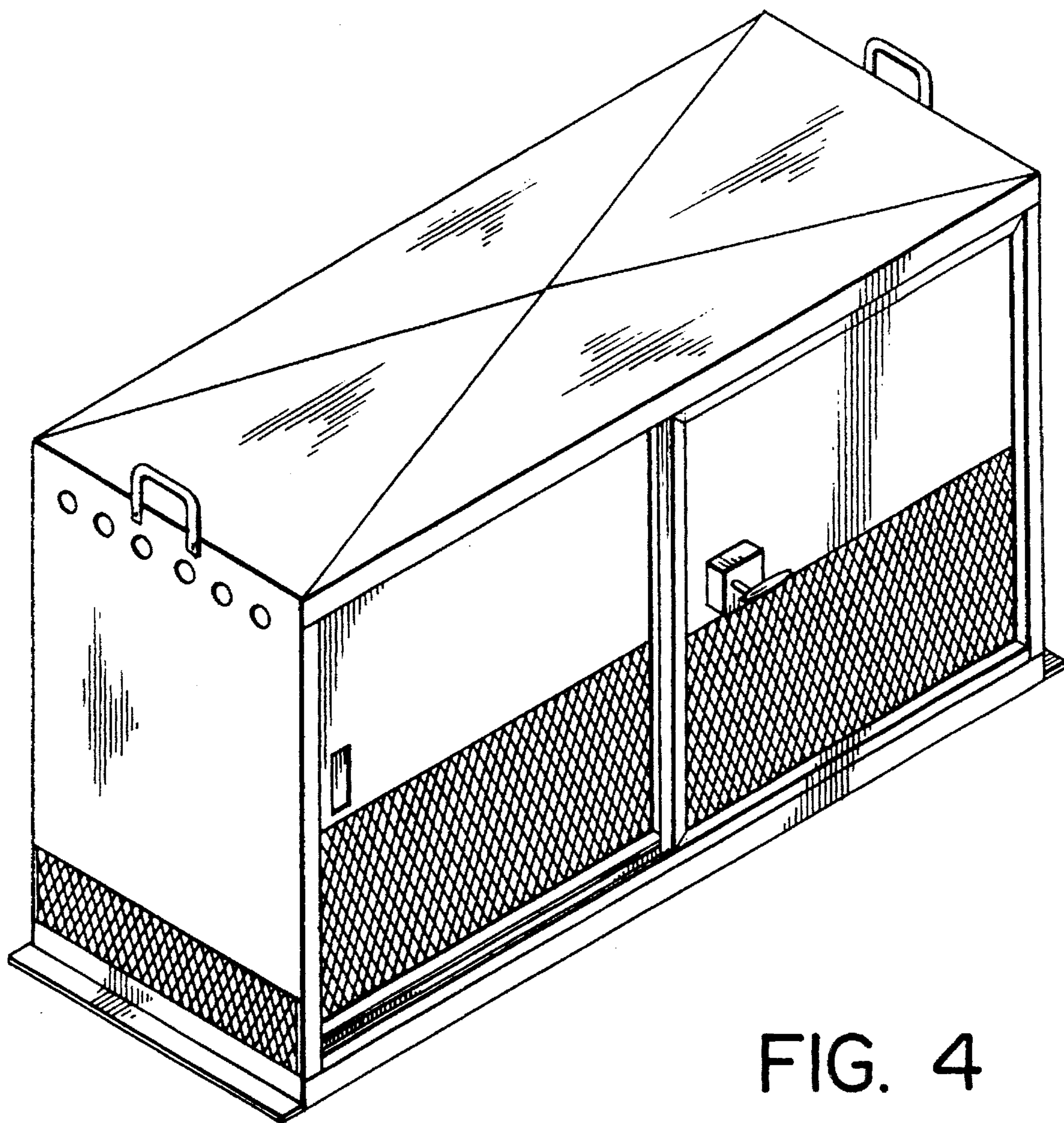


FIG. 4