



US00D372601S

United States Patent [19]

[11] Patent Number: **Des. 372,601**

Roberts et al.

[45] Date of Patent: ****Aug. 13, 1996**

[54] **COMPUTER DESK MODULE**

[76] Inventors: **Fay D. Roberts**, 1821 E. Winchcomb Dr.; **Debra D. Williamson**, 1909 E. Presidio Rd., both of Phoenix, Ariz. 85022

[**] Term: **14 Years**

[21] Appl. No.: **37,701**

[22] Filed: **Apr. 19, 1995**

[52] U.S. Cl. **D6/422**

[58] Field of Search D6/421-428; 312/194-196

[56] **References Cited**

U.S. PATENT DOCUMENTS

D. 148,776	2/1948	Fay	D6/423
D. 270,025	8/1983	Kones	D6/422
D. 278,956	5/1985	Gordon	D6/422
D. 329,551	9/1992	Lechman	D6/422
D. 335,225	5/1993	Ugalde	D6/425
D. 335,782	5/1993	Lechman et al.	D6/422
D. 340,817	11/1993	Barfield	D6/428
D. 342,396	12/1993	Lechman et al.	D6/422
D. 346,913	5/1994	Lechman et al.	D6/427

D. 360,545	7/1995	Lechman	D6/422
1,211,433	1/1917	Gibbons	D6/425 X
3,778,911	12/1973	Woolman	35/60
4,974,915	12/1990	Bussard	312/236
5,016,405	5/1991	Lee	52/36

Primary Examiner—Carmen H. Vales-Lado
Attorney, Agent, or Firm—Cahill, Sutton & Thomas, P.L.C.

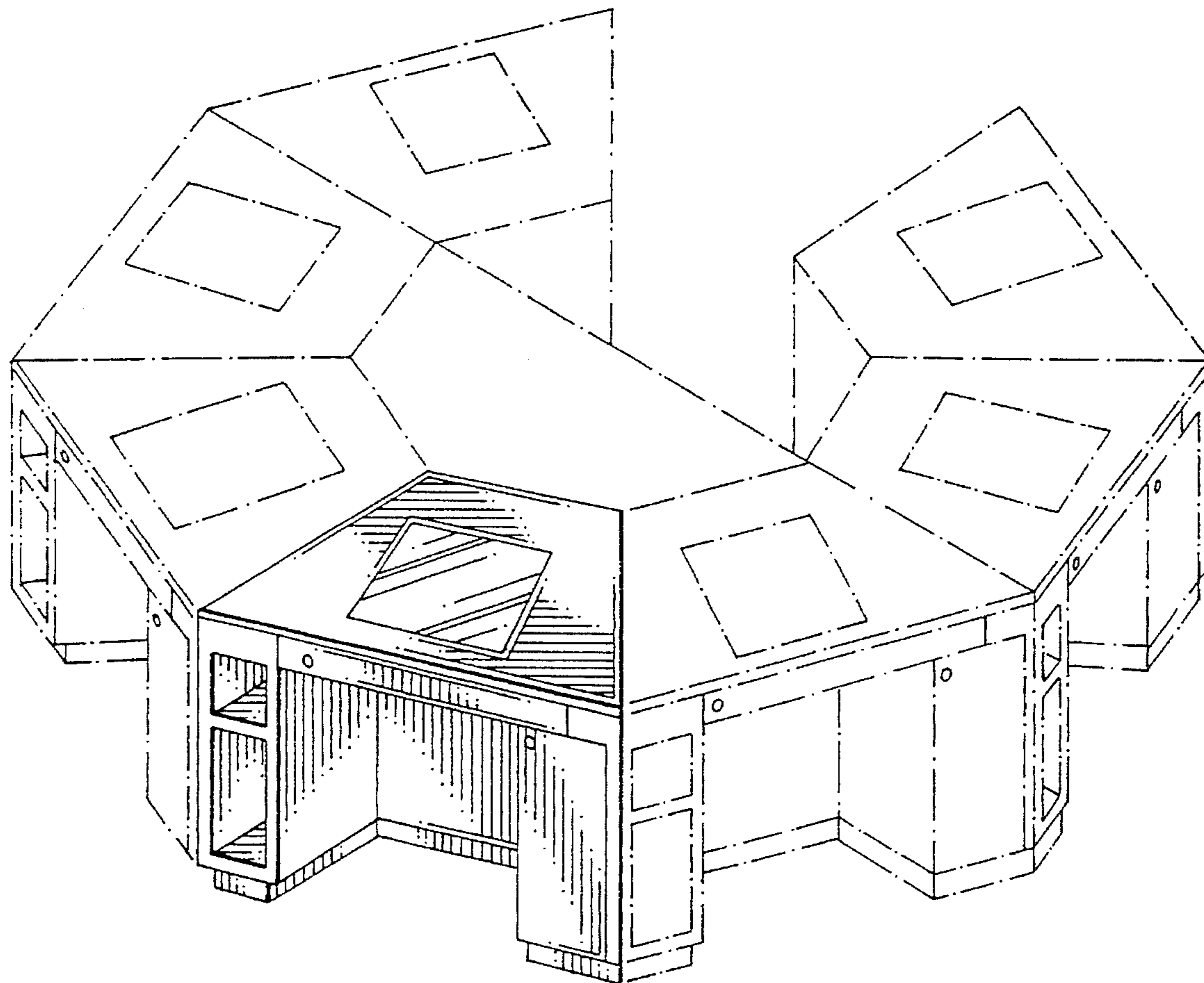
[57] **CLAIM**

The ornamental design for a computer desk module, as shown and described.

DESCRIPTION

FIG. 1 is a top perspective view of a desk showing our new design; the broken lines indicate environmental structure and form no part of the claimed design; FIG. 2 is a top plan view of FIG. 1; FIG. 3 is a bottom plan view of the computer desk module; FIG. 4 is a top plan view thereof; FIG. 5 is a front elevational view thereof; FIG. 6 is a rear elevational view thereof; and, FIG. 7 is a left elevational view thereof, the right elevational view being a mirror image.

1 Claim, 2 Drawing Sheets



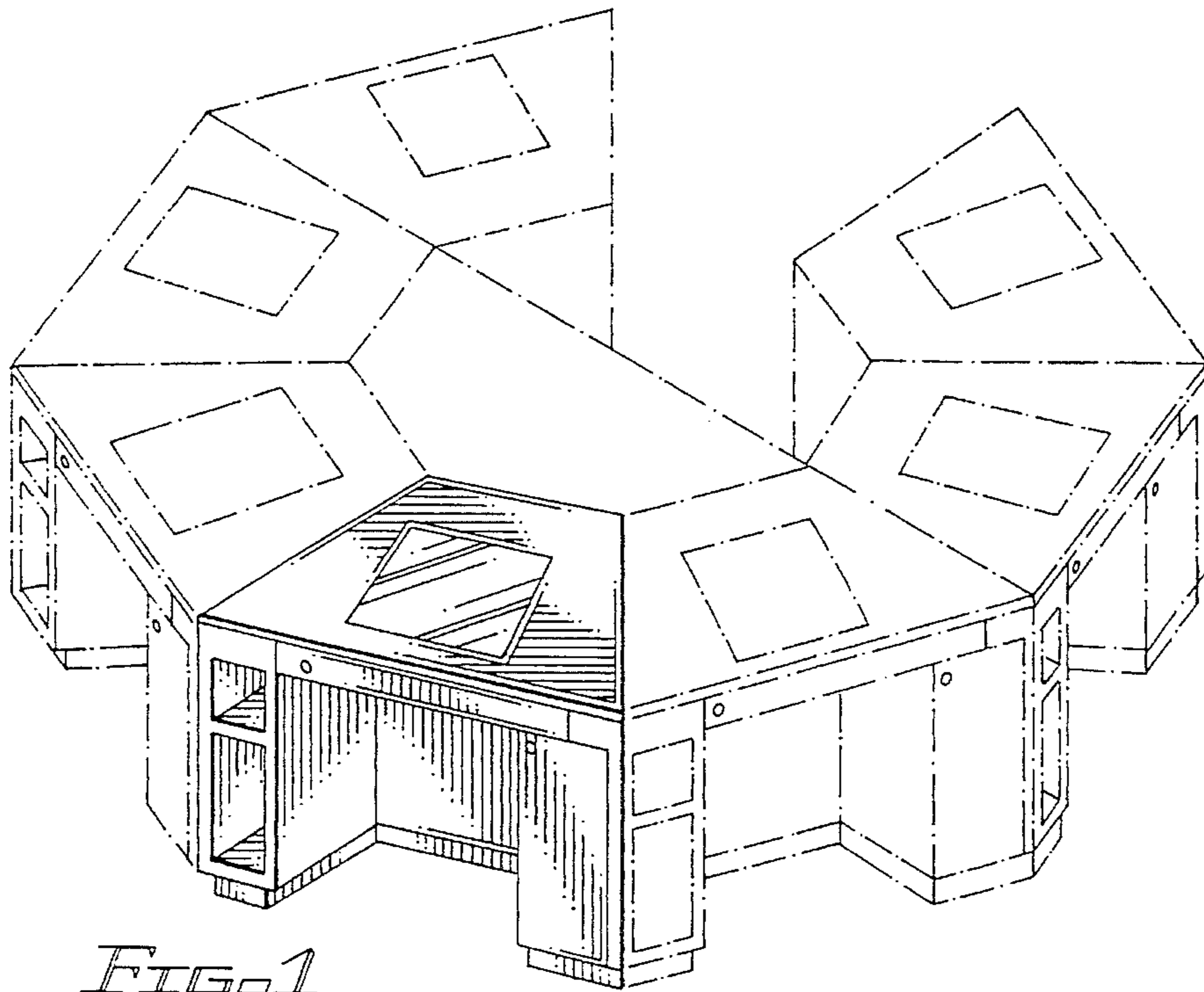


FIG. 1

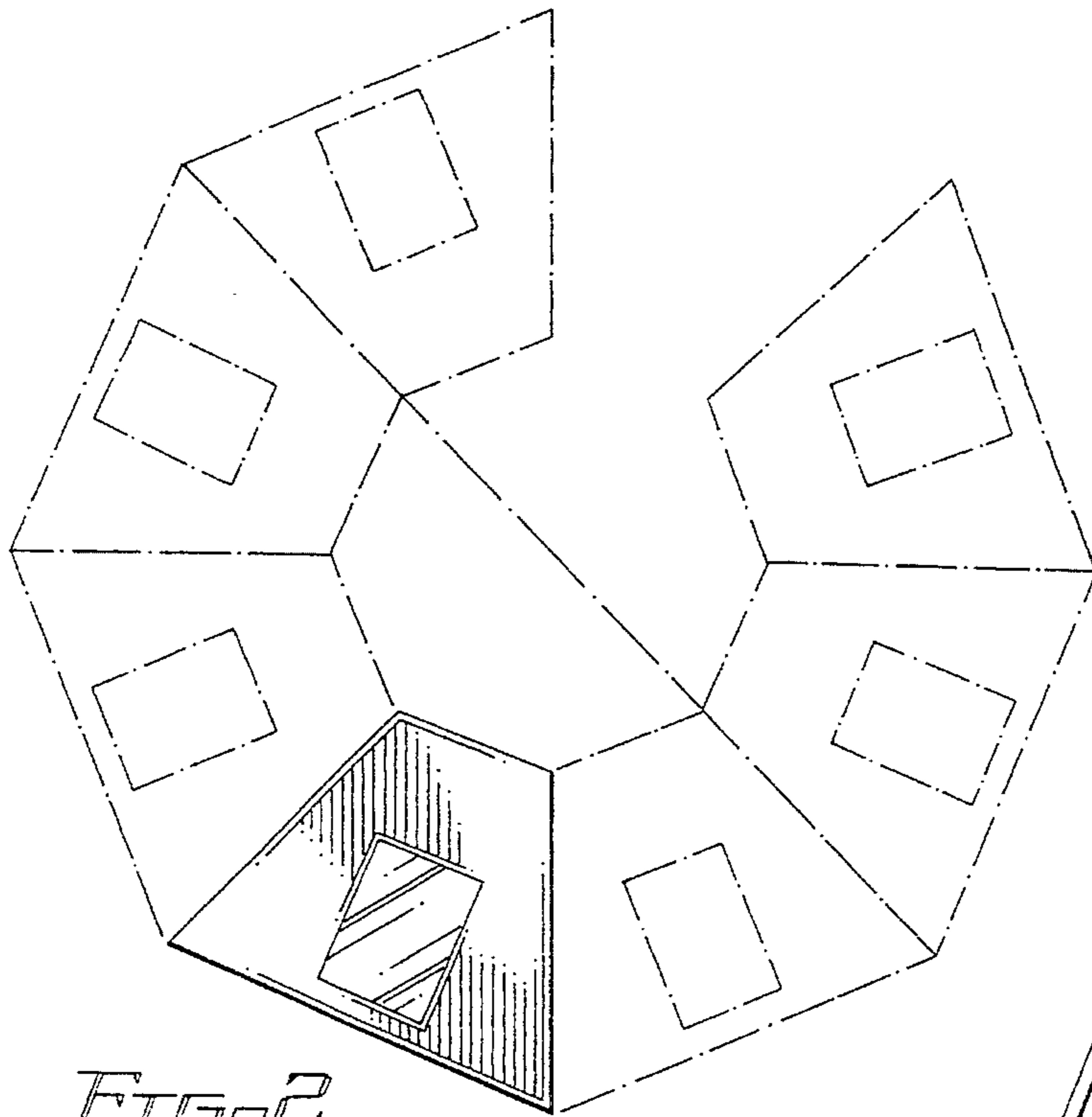


FIG. 2

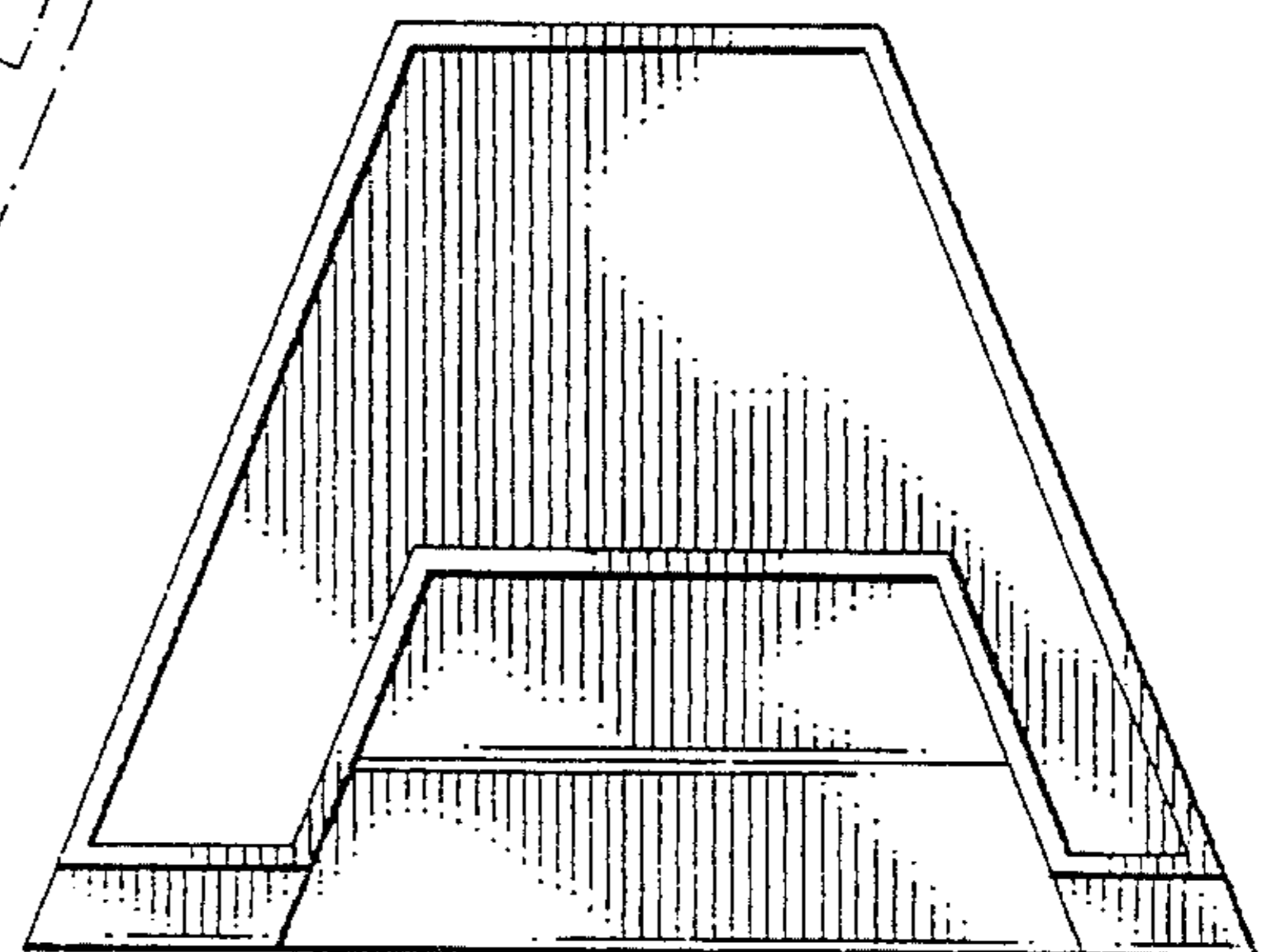


FIG. 3

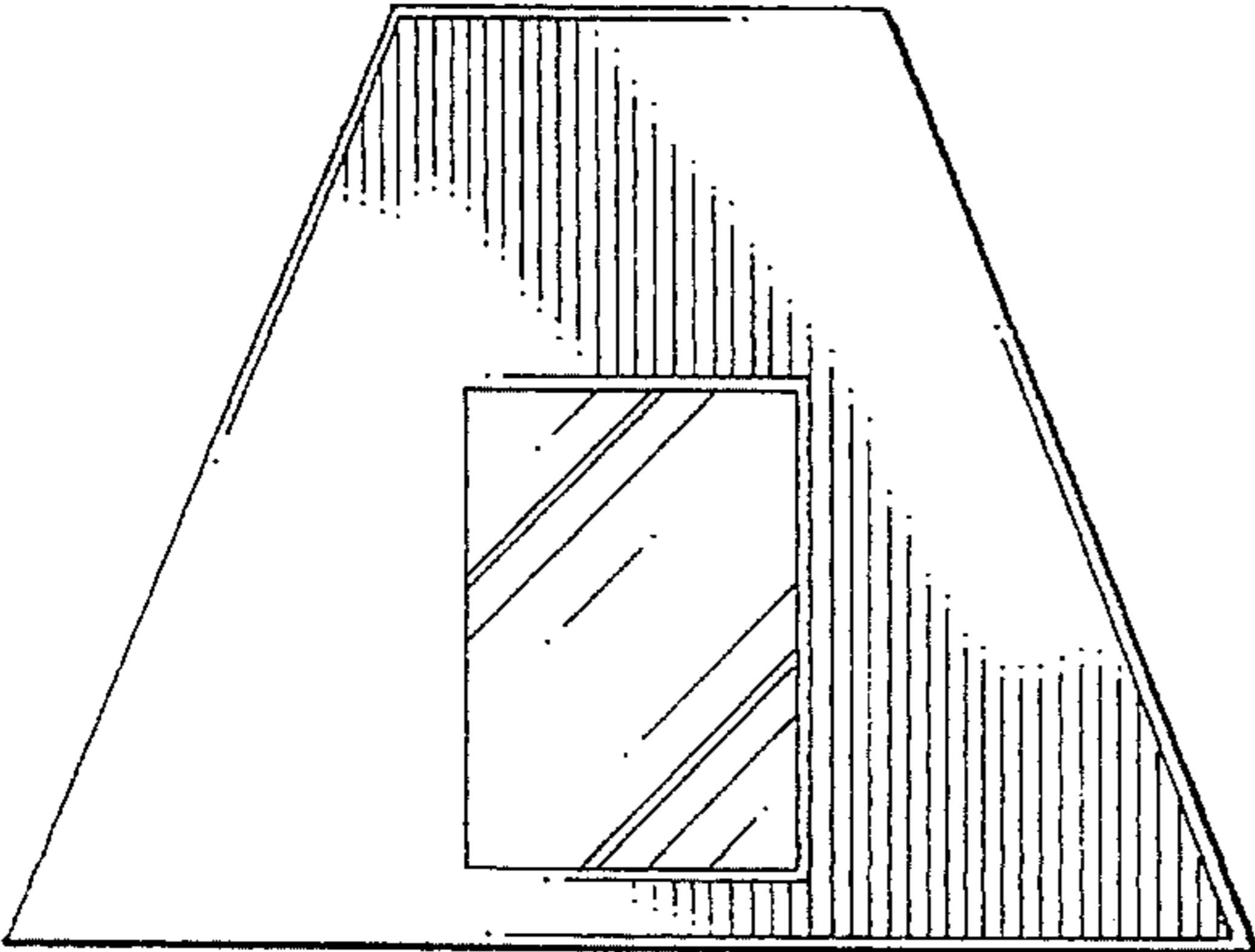


FIG. 4

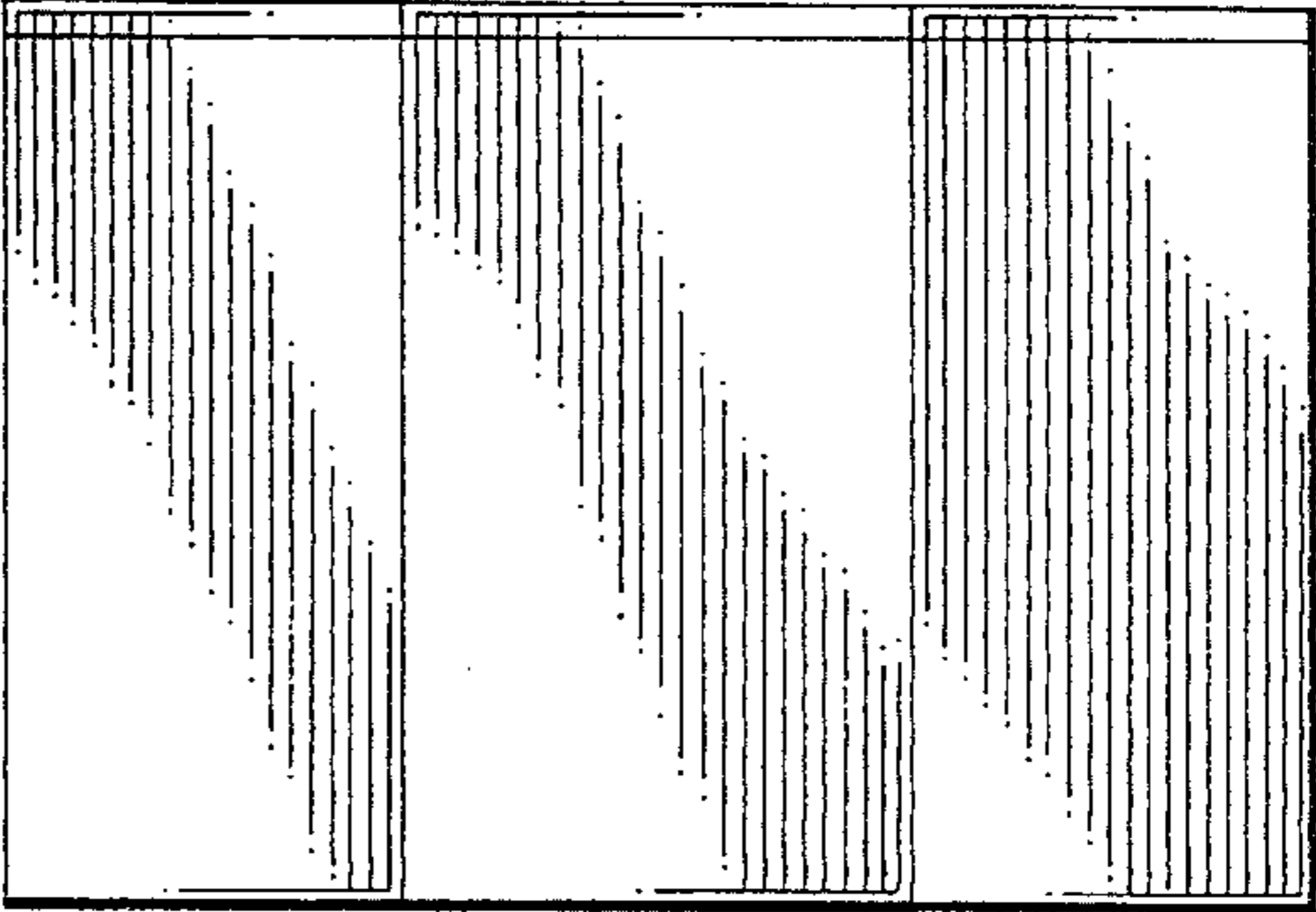


FIG. 6

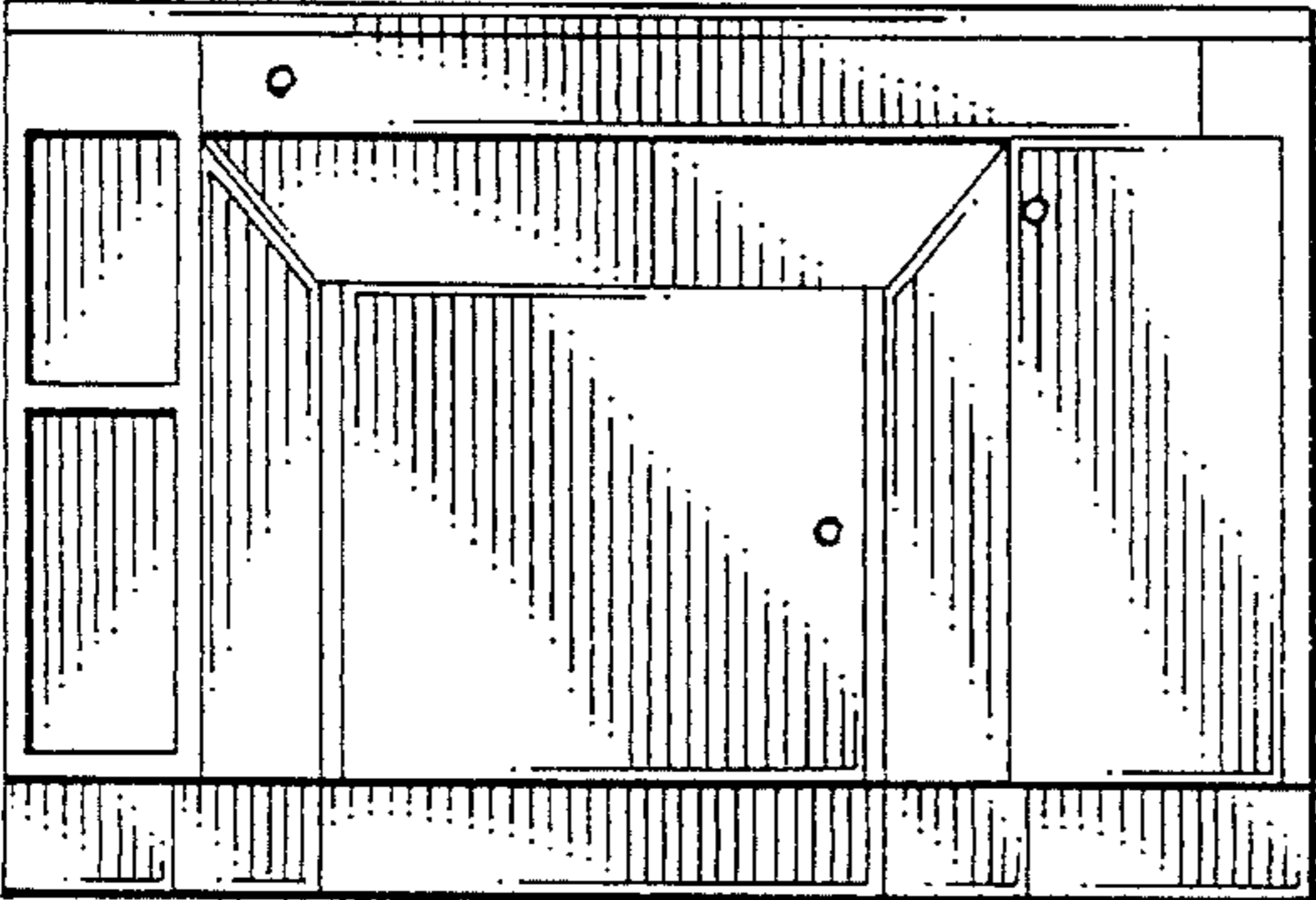


FIG. 5

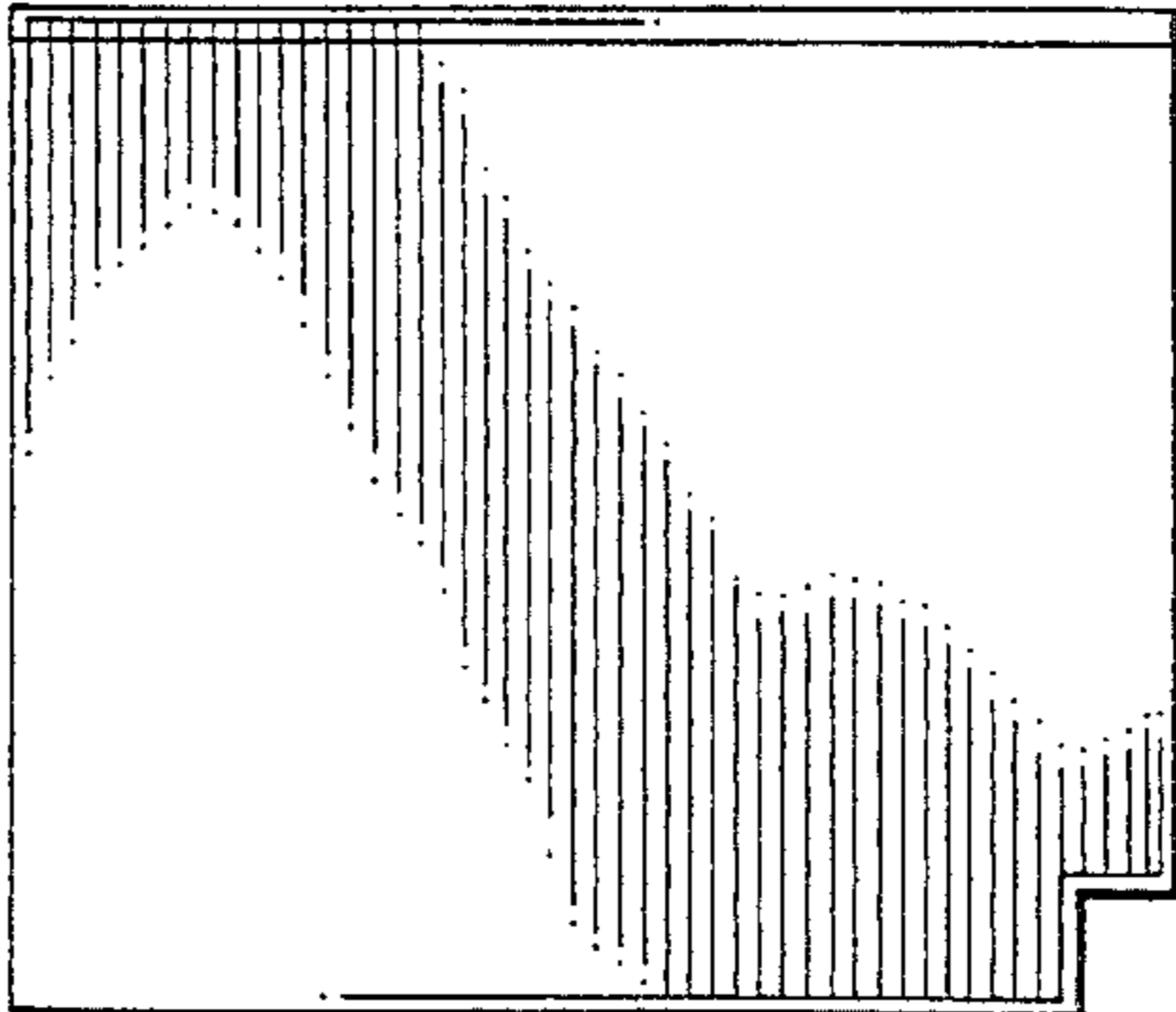


FIG. 7