



US00D372597S

# United States Patent [19] Maple

[11] Patent Number: **Des. 372,597**

[45] Date of Patent: **\*\*Aug. 13, 1996**

[54] SEAT WITH ORNAMENTAL BACK

[75] Inventor: **Drew Maple**, Alexandria, Ind.

[73] Assignee: **Resin Partners, Inc.**, Alexandria, Ind.

[\*\*] Term: **14 Years**

[21] Appl. No.: **44,544**

[22] Filed: **Sep. 26, 1995**

[52] U.S. Cl. .... **D6/379; D6/358**

[58] Field of Search ..... D6/334, 358, 370,  
D6/374, 375, 376, 379, 380, 500, 501,  
502; 297/239, 451.12

D. 361,902	9/1995	Van Skiver	.....	D6/370
D. 361,903	9/1995	Van Skiver	.....	D6/370
D. 362,759	10/1995	Sagol	.....	D6/370
D. 362,977	10/1995	Battaglia	.....	D6/375
D. 364,284	11/1995	Prosperio	.....	D6/374
D. 364,748	12/1995	Morin	.....	D6/370
2,699,814	1/1955	Kahn	.....	D6/370 X

*Primary Examiner*—James M. Gandy  
*Assistant Examiner*—Gary D. Watson  
*Attorney, Agent, or Firm*—Miller & Martin

### [57] CLAIM

The ornamental design for a seat with ornamental back, as shown and described.

### DESCRIPTION

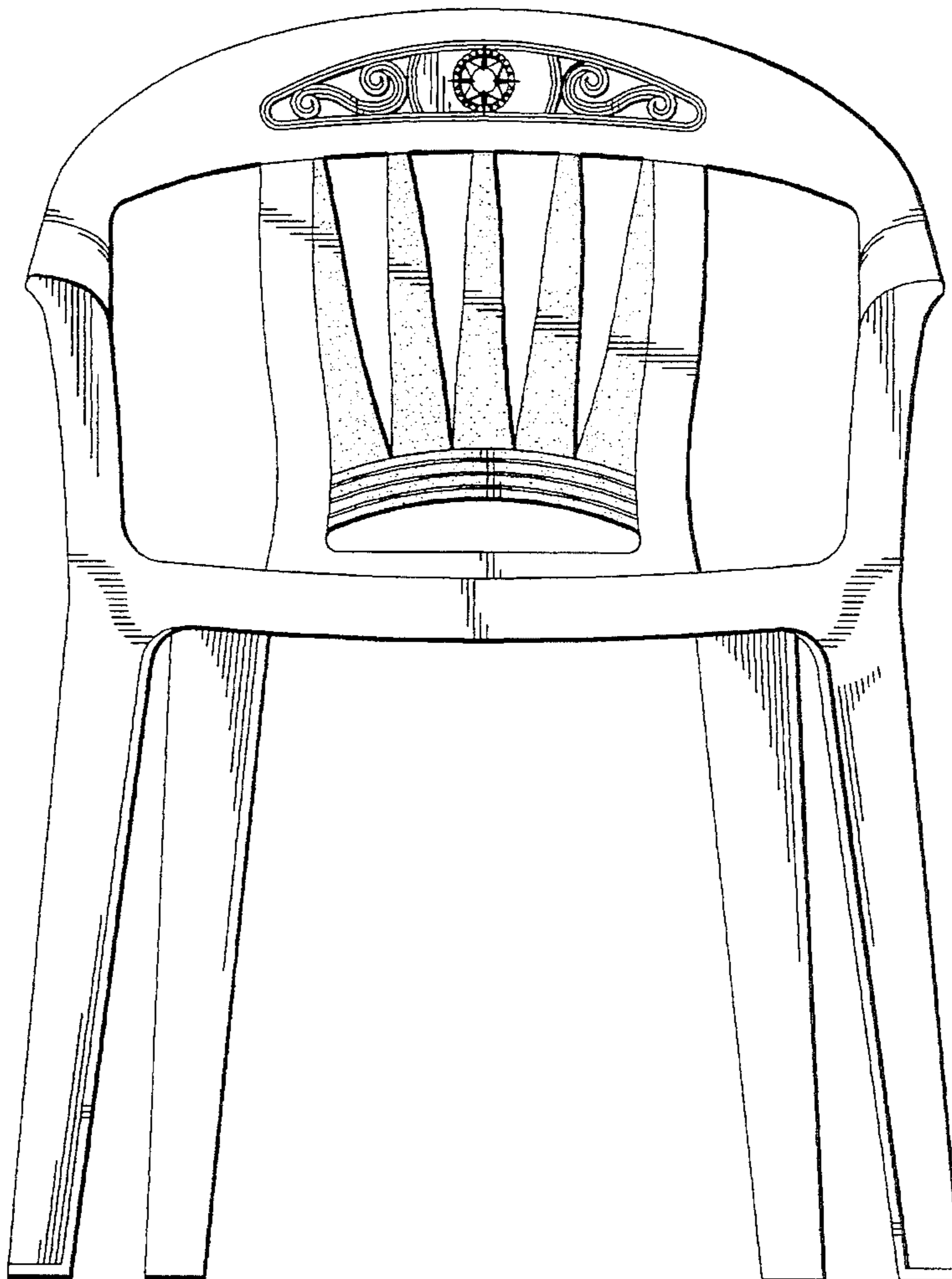
FIG. 1 is a front elevation view of the seat with ornamental back;  
FIG. 2 is a rear elevation view;  
FIG. 3 is a top plan view;  
FIG. 4 is an under plan view; and,  
FIG. 5 is a side elevation view, the view from each side being identical mirror images of the other.

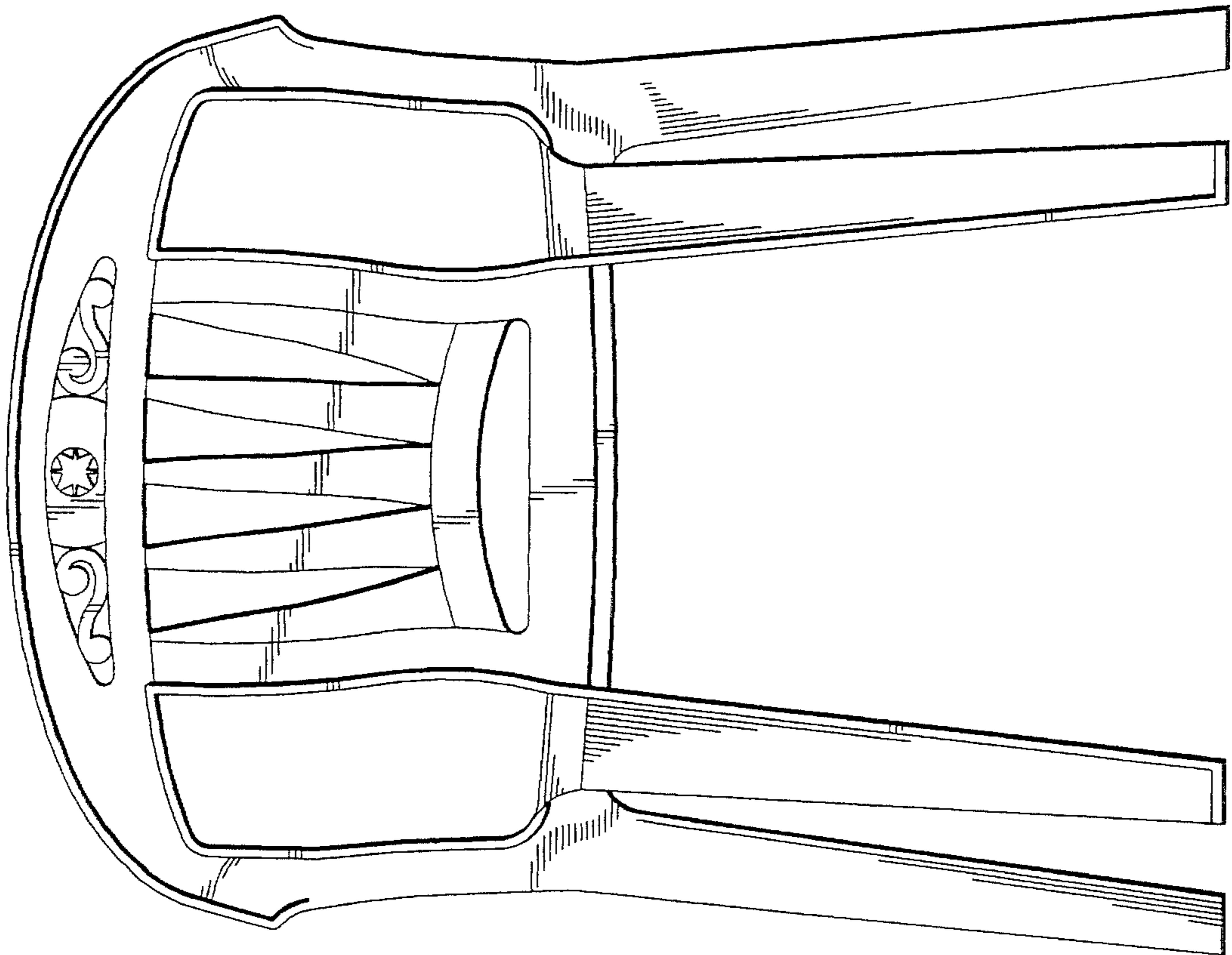
**1 Claim, 3 Drawing Sheets**

### [56] References Cited

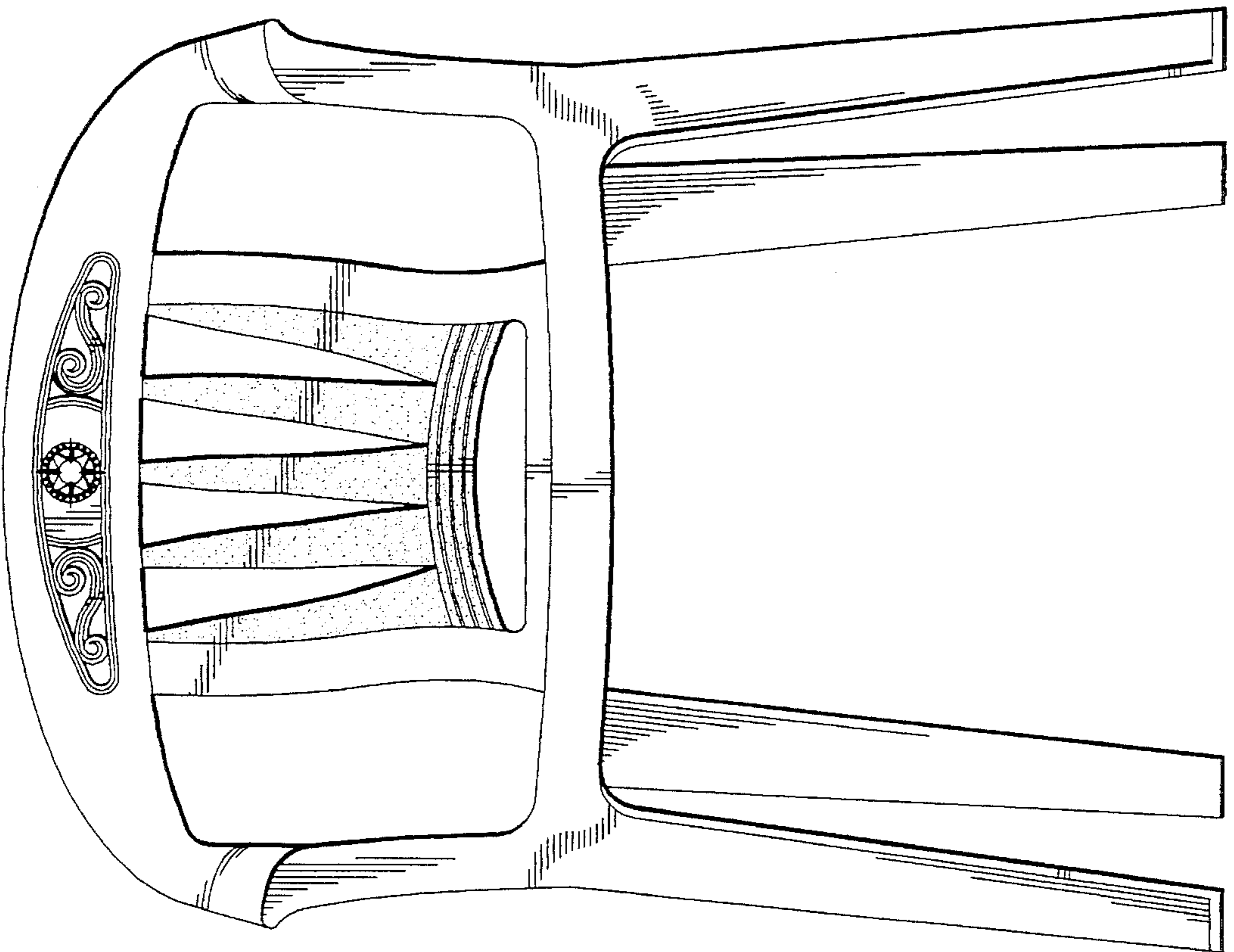
#### U.S. PATENT DOCUMENTS

D. 234,240	2/1975	Noda et al.	.....	D6/379
D. 328,679	8/1992	Grosfillex	.....	D6/502
D. 328,827	8/1992	Grosfillex	.....	D6/370
D. 329,339	9/1992	Grosfillex	.....	D6/370
D. 330,291	10/1992	Grosfillex	.....	D6/370
D. 331,323	12/1992	Grosfillex	.....	D6/370
D. 338,347	8/1993	Hubert	.....	D6/370
D. 342,849	1/1994	Grosfillex	.....	D6/502

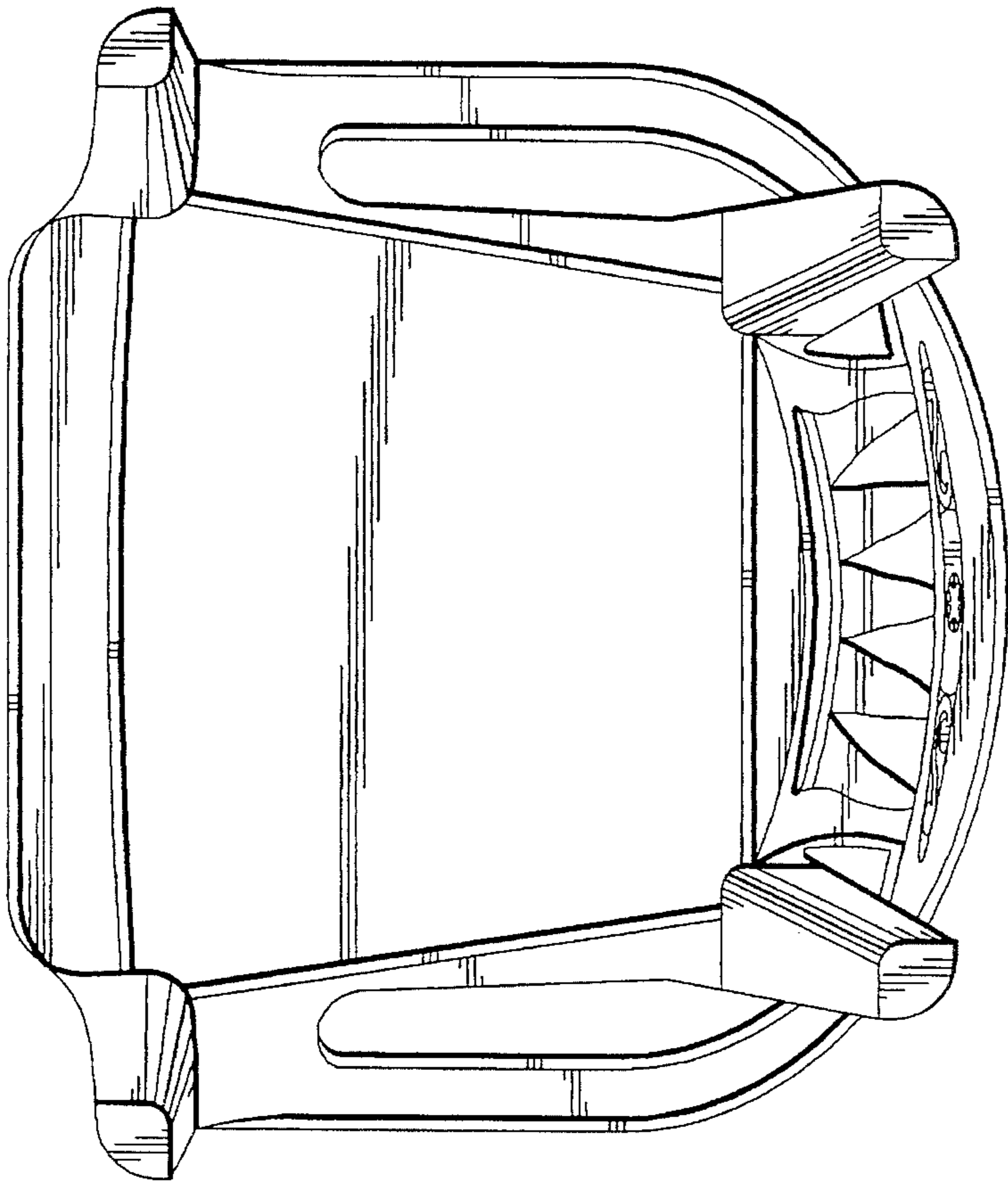




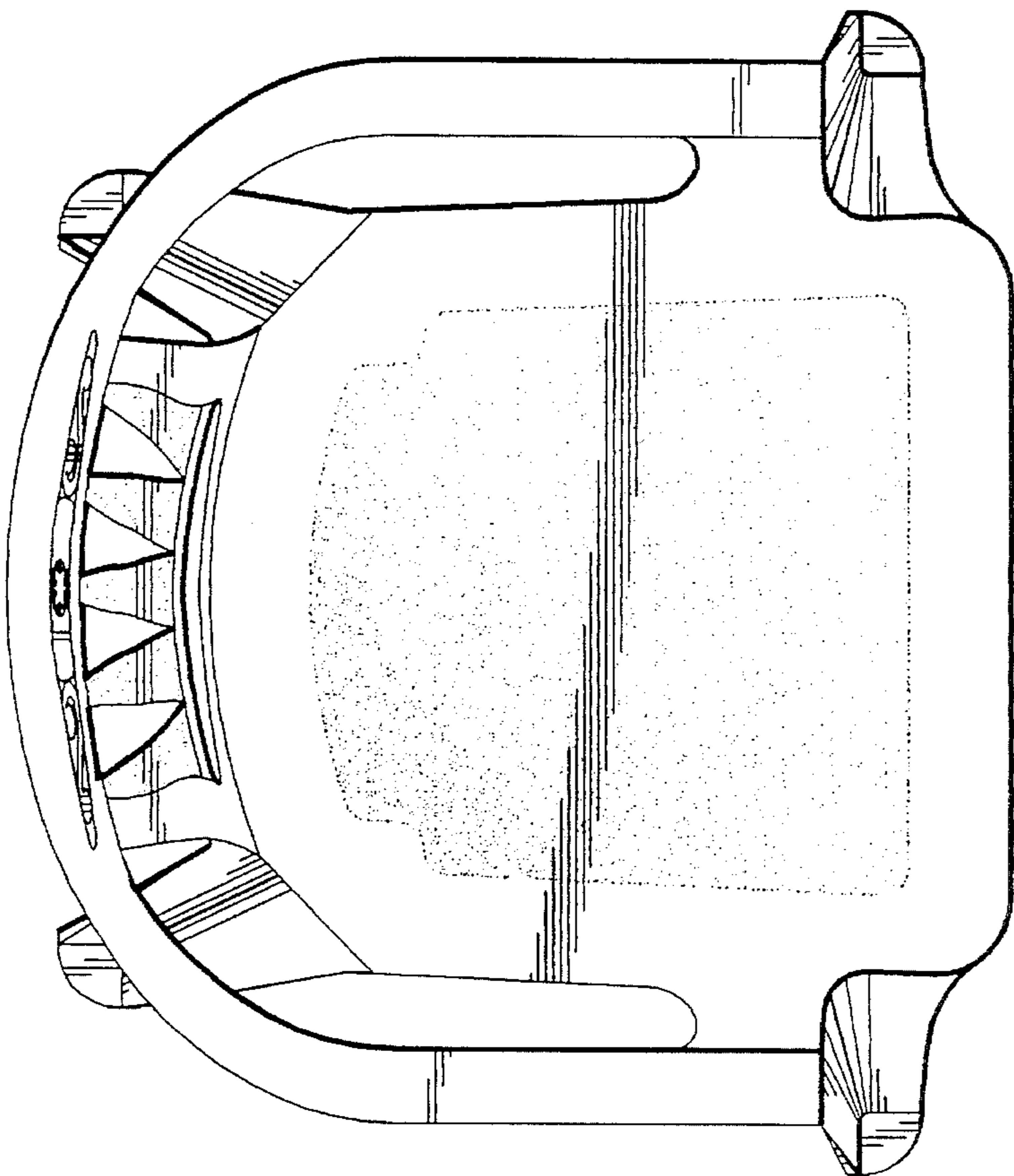
**FIG 2**



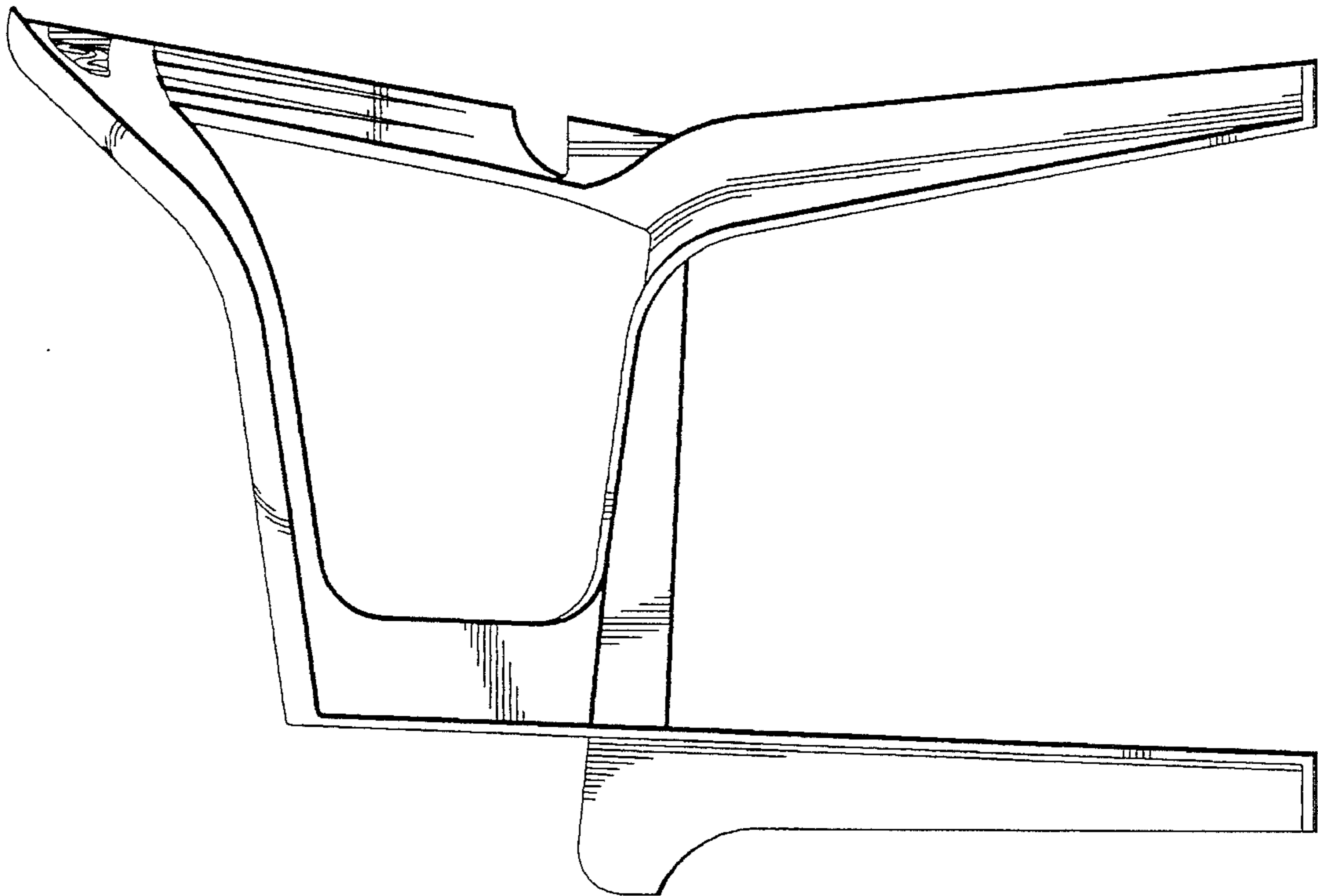
**FIG 1**



**FIG 4**



**FIG 3**



**FIG 5**