



US00D372593S

United States Patent [19]

[11] Patent Number: **Des. 372,593**

Maple

[45] Date of Patent: ****Aug. 13, 1996**

[54] **CHAIR WITH ORNAMENTAL BACK**

[75] Inventor: **Drew Maple**, Alexandria, Ind.

[73] Assignee: **Resin Partners, Inc.**, Alexandria, Ind.

[**] Term: **14 Years**

[21] Appl. No.: **44,543**

[22] Filed: **Sep. 26, 1995**

[52] U.S. Cl. **D6/358**; D6/374; D6/379

[58] Field of Search D6/334, 345, 351,
D6/358, 370, 374, 375, 376, 379, 380,
500, 501, 502; 297/181, 239, 451.12

[56] **References Cited**

U.S. PATENT DOCUMENTS

D. 157,225	2/1950	Williams	D6/376 X
D. 179,646	2/1957	Jones et al.	D6/358
D. 234,240	2/1975	Noda et al.	D6/379
D. 328,679	8/1992	Grosfillex	D6/502
D. 328,827	8/1992	Grosfillex	D6/370
D. 329,339	9/1992	Grosfillex	D6/370
D. 330,291	10/1992	Grosfillex	D6/370
D. 331,323	12/1992	Grosfillex	D6/370
D. 338,347	8/1993	Hubert	D6/370

D. 342,849	1/1994	Grosfillex	D6/502
D. 361,902	9/1995	VanSkiver	D6/370
D. 361,903	9/1995	VanSkiver	D6/370
D. 362,759	10/1995	Sagol	D6/370
D. 362,977	10/1995	Battaglia	D6/375
D. 364,284	11/1995	Prosperio	D6/374
D. 364,748	12/1995	Morin	D6/370
2,699,814	1/1955	Kahn	D6/370 X

Primary Examiner—James M. Gandy
Assistant Examiner—Gary D. Watson
Attorney, Agent, or Firm—Miller & Martin

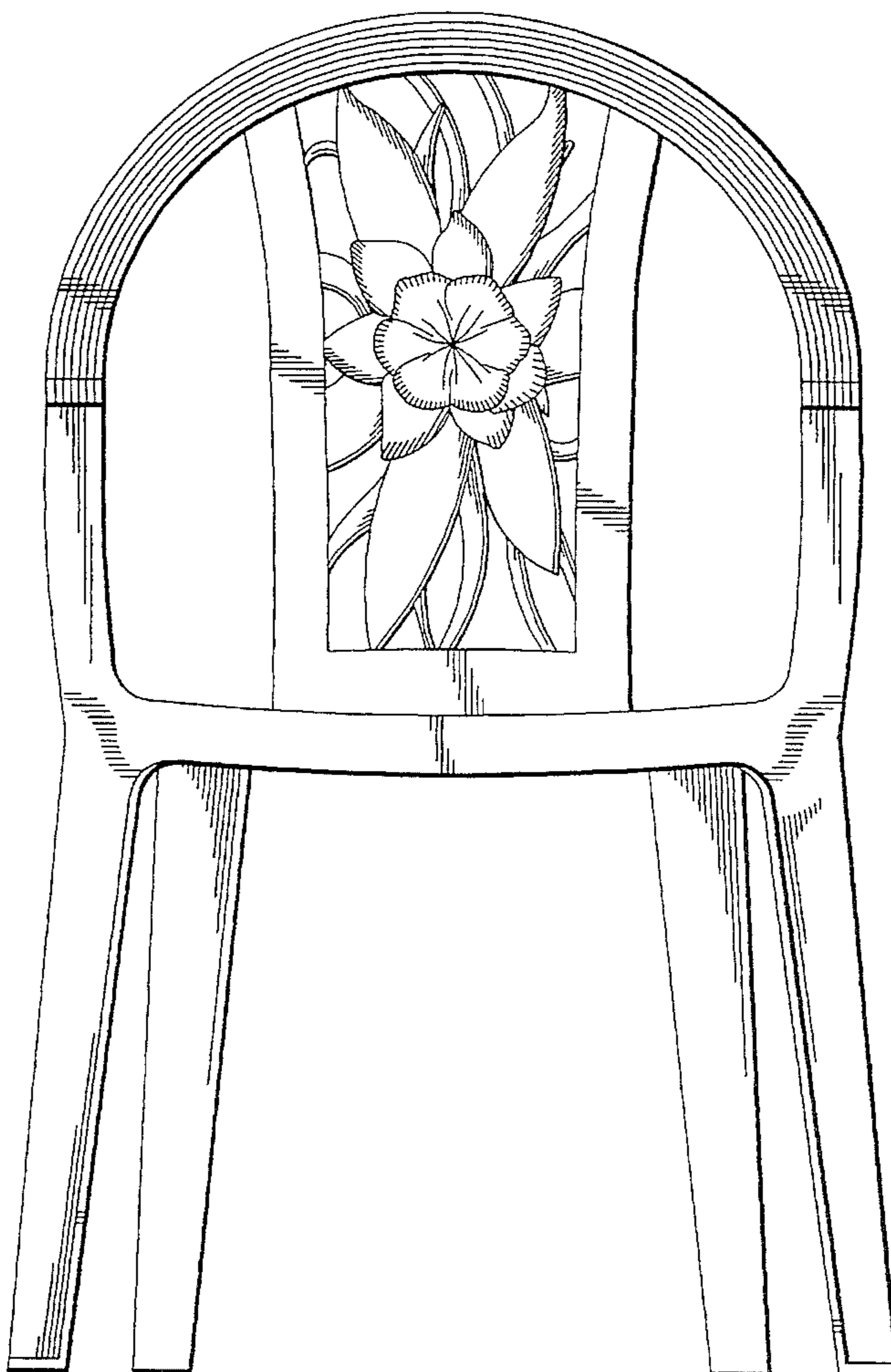
[57] **CLAIM**

The ornamental design for a chair with ornamental back, as shown and described.

DESCRIPTION

FIG. 1 is a front elevation view of the chair with ornamental back;
FIG. 2 is a rear elevation view;
FIG. 3 is a top plan view;
FIG. 4 is an under plan view; and,
FIG. 5 is a side elevation view, the view from each side being identical mirror images of the other.

1 Claim, 3 Drawing Sheets



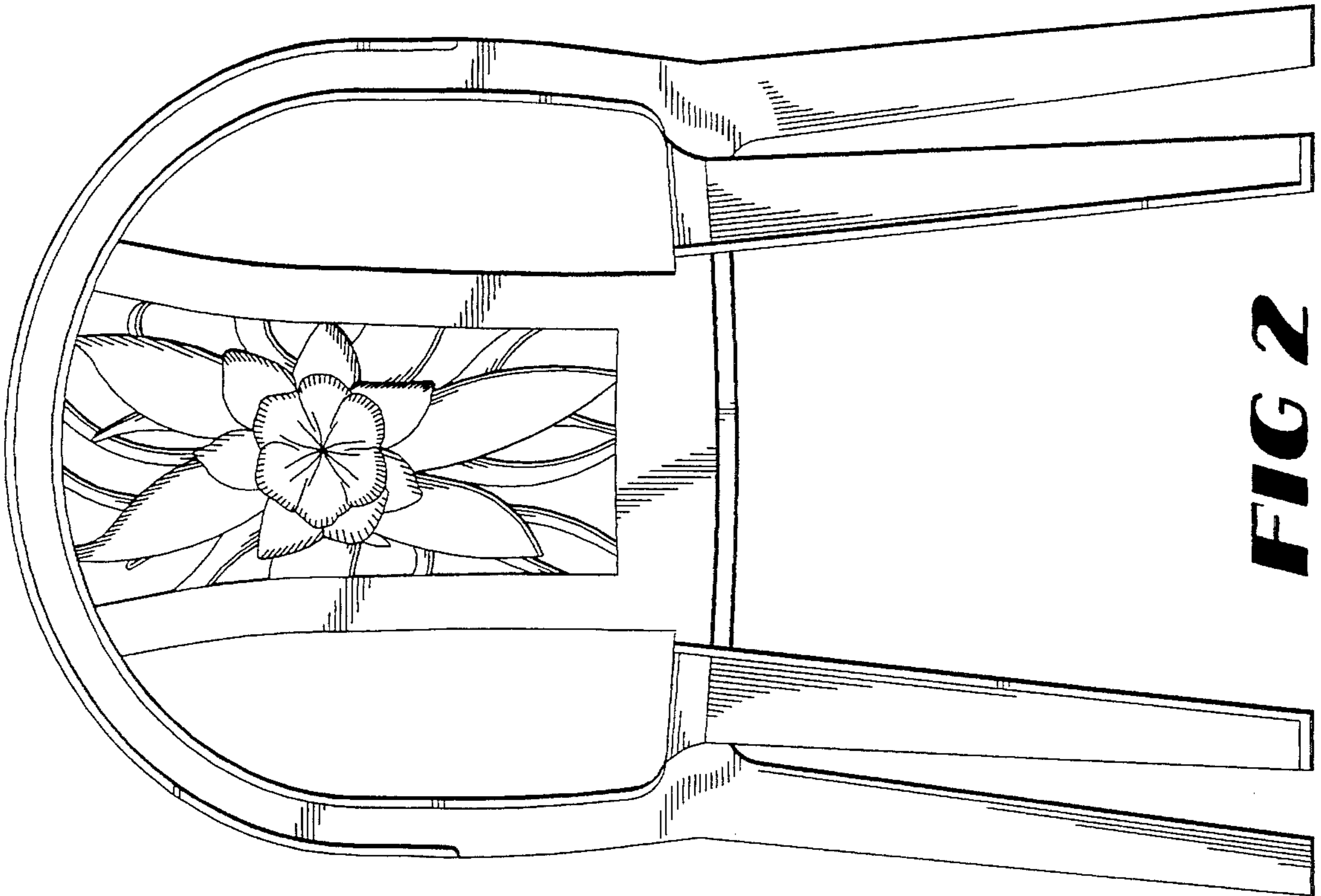


FIG 2

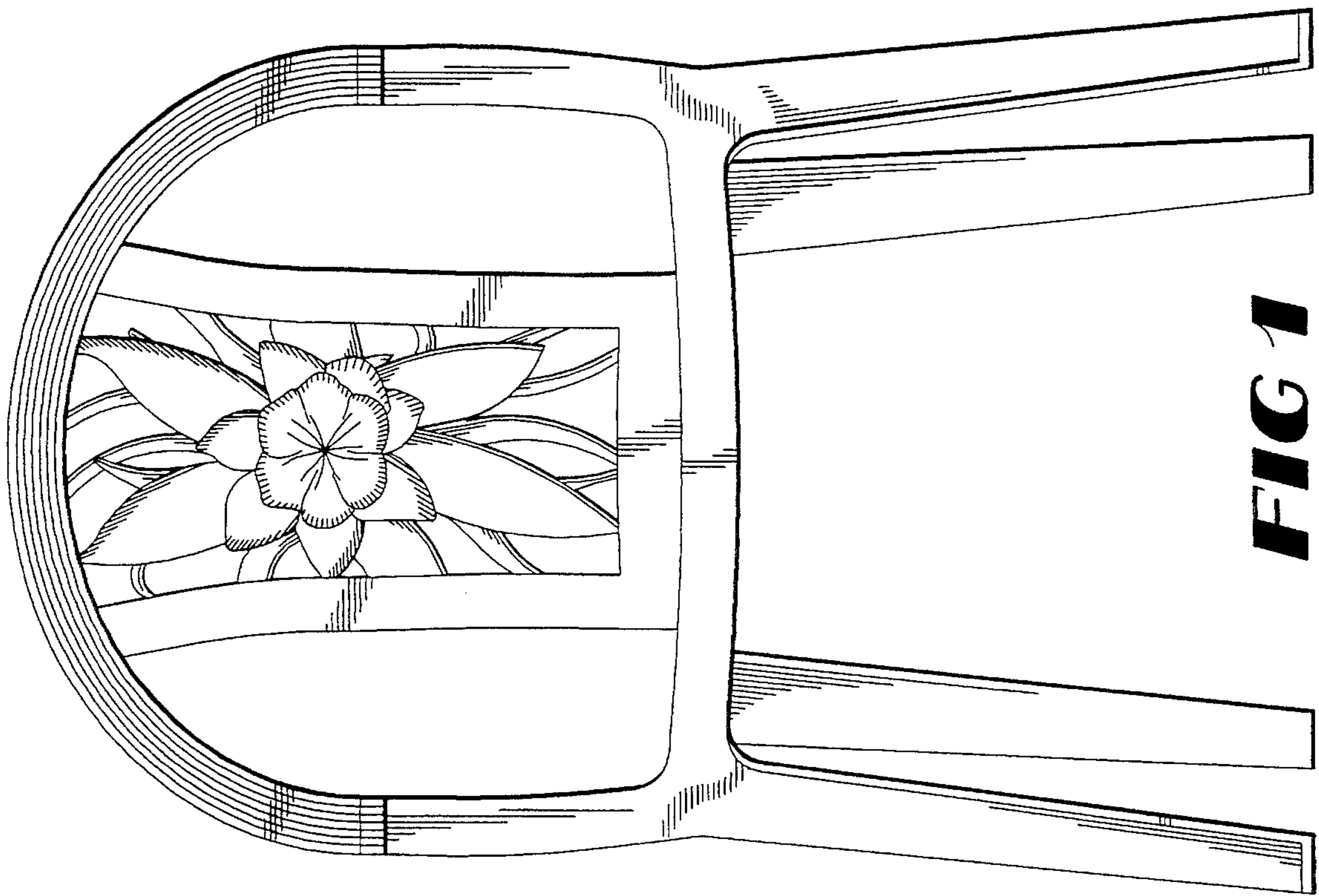


FIG 1

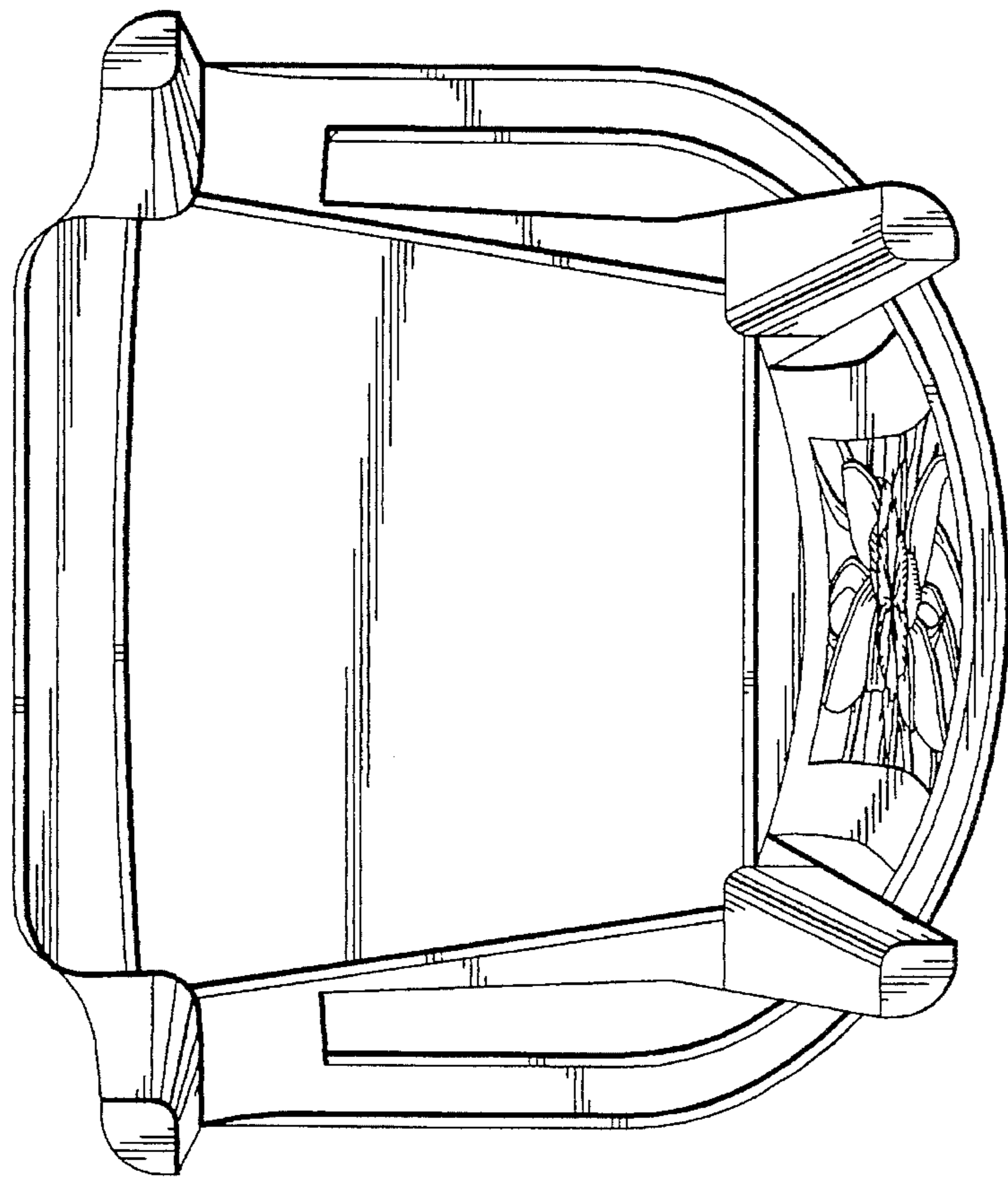


FIG 4

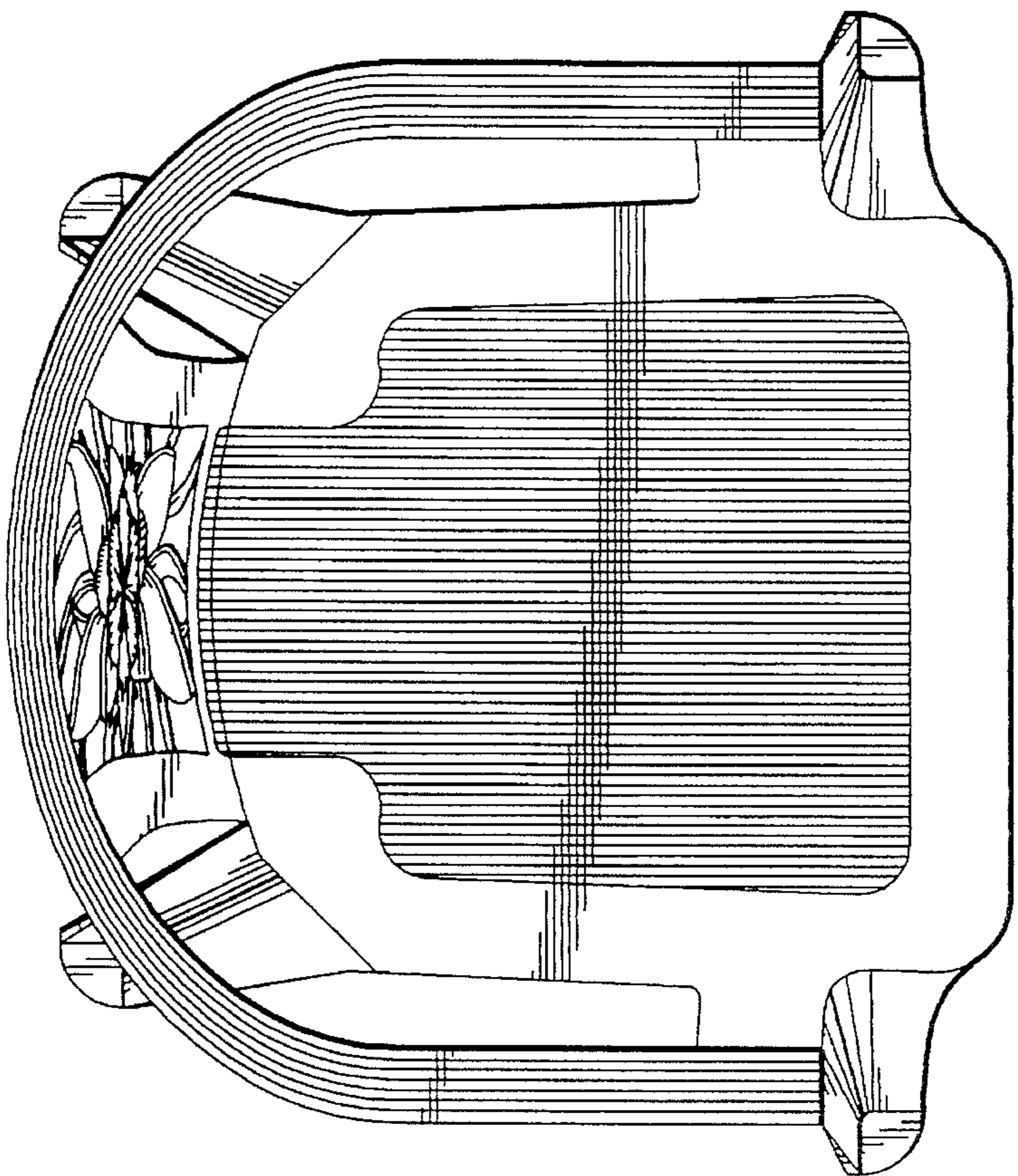


FIG 3

