



US00D372591S

United States Patent [19]

Brunner et al.

[11] Patent Number: **Des. 372,591**

[45] Date of Patent: ****Aug. 13, 1996**

[54] **MIRROR**

D. 348,358 7/1994 Brunner et al. .

[75] Inventors: **Merlin A. Brunner**, Appleton; **Harvey J. Draheim**, Weyauwega, both of Wis.

OTHER PUBLICATIONS

Simmons Juvenile Products Company, Inc. 1994 Catalog: Wallmirror No. 4718.
Simmons Juvenile Products Company, 1994 Catalog: Mirror No. 6414.

[73] Assignee: **Simmons Juvenile Products Company, Inc.**, New London, Wis.

[**] Term: **14 Years**

Primary Examiner—Janice E. Seeger
Attorney, Agent, or Firm—Hoffmann & Baron

[21] Appl. No.: **37,196**

[57] CLAIM

[22] Filed: **Apr. 6, 1995**

The ornamental design for a mirror, as shown and described.

[52] U.S. Cl. **D6/300**

[58] Field of Search D6/300-303, 308-314;
D20/10, 42; 40/152, 152.1, 154-156, 158.1,
159.1, 159.2

DESCRIPTION

FIG. 1 is a front perspective view of a mirror showing our new design;
FIG. 2 is a top plan view thereof;
FIG. 3 is a front elevational view thereof;
FIG. 4 is a side elevational view thereof, the opposite side being a mirror image thereof; and,
FIG. 5 is an enlarged sectional view taken along line A—A of FIG. 3.
The rear side of the mirror is unadorned.

[56] References Cited

U.S. PATENT DOCUMENTS

D. 39,640	10/1908	Eustis	D6/300
D. 243,378	2/1977	Tharp	D6/300
D. 244,660	6/1977	Vrignaud	D6/300
D. 285,504	9/1986	Messer	D6/300
D. 300,642	4/1989	Pawlik et al.	D20/10
D. 309,986	8/1990	Sakai	D6/308

1 Claim, 3 Drawing Sheets

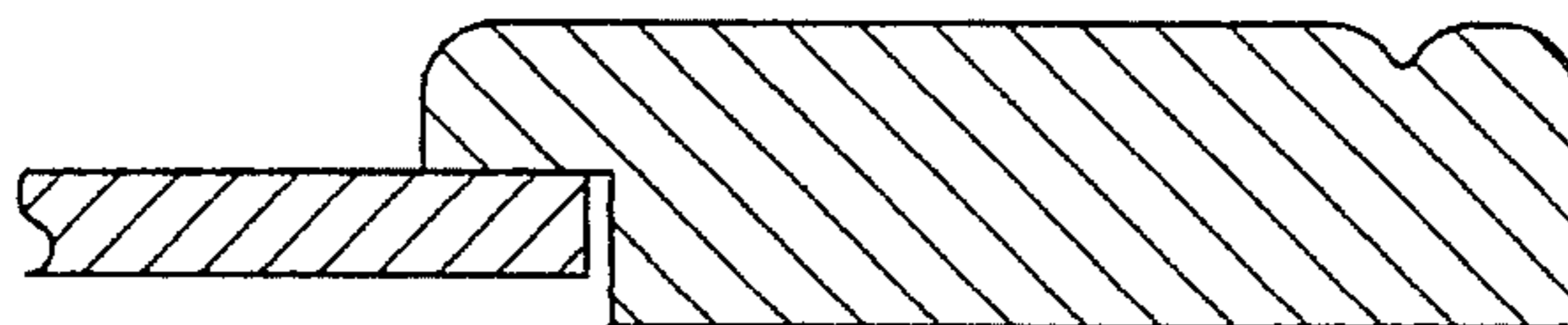
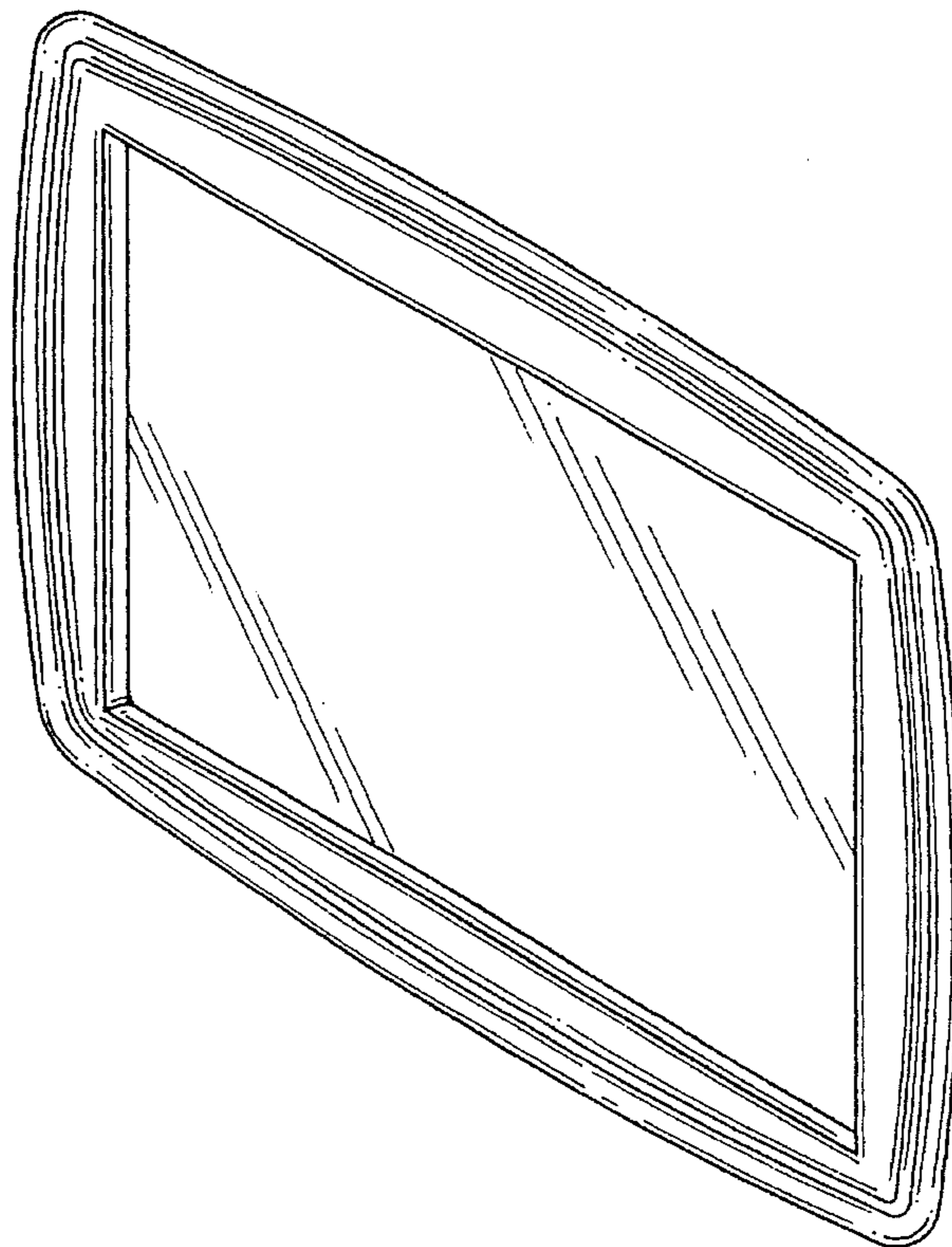


FIG-1

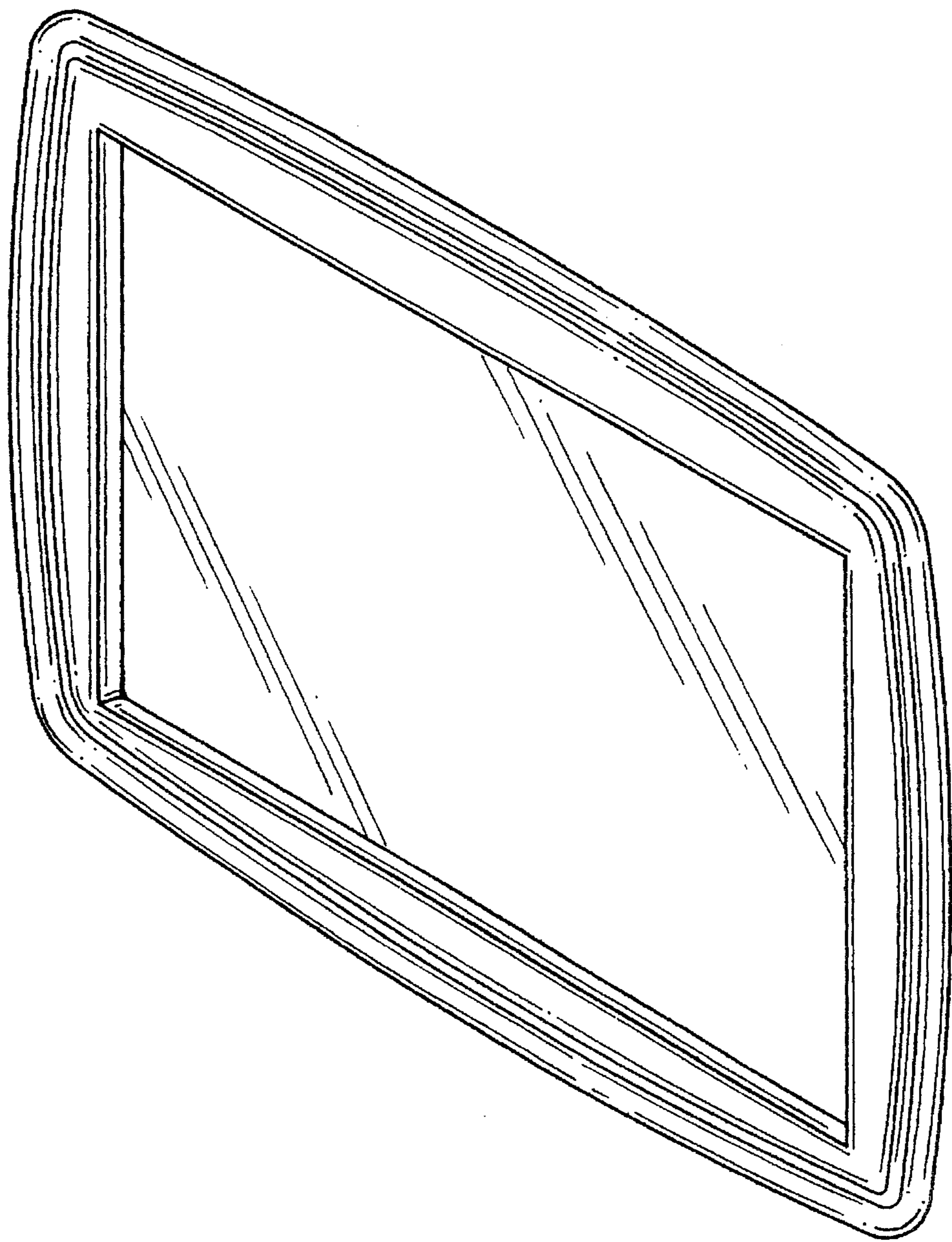


FIG-2

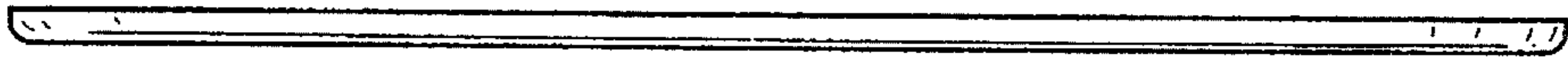


FIG-3

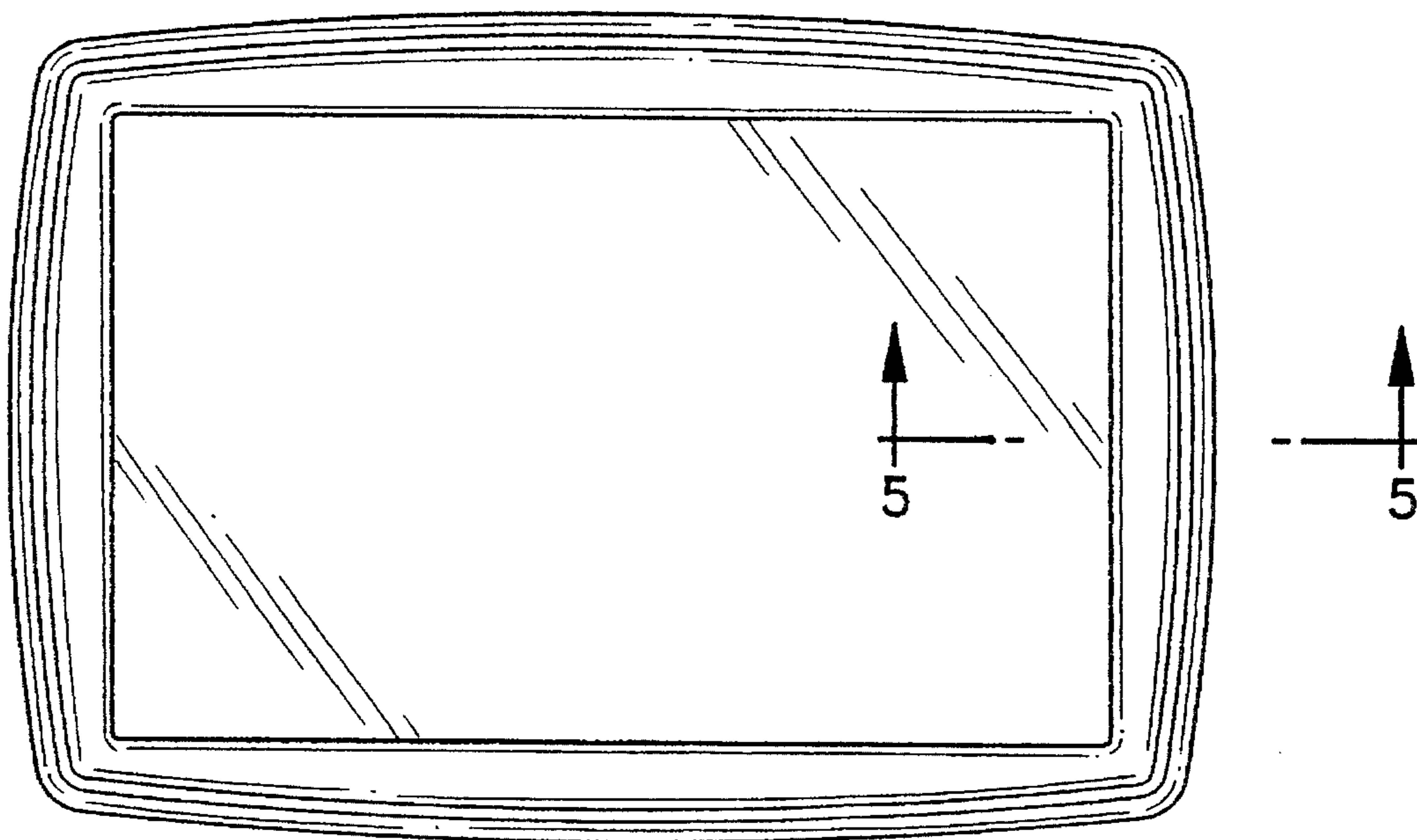


FIG-4



FIG-5

