



US00D372585S

# United States Patent [19]

Zoccolillo et al.

[11] Patent Number: **Des. 372,585**

[45] Date of Patent: **\*\*Aug. 13, 1996**

[54] **GOLF SHOE BRUSH**

### FOREIGN PATENT DOCUMENTS

[76] Inventors: **Ralph A. Zoccolillo**, 26 Purdy St.,  
Harrison, N.Y. 10528; **Dominic  
Trentadue**, R.D. #5, Gage Rd.,  
Brewster, N.Y. 10509

WO90/08576 8/1990 WIPO ..... 273/32 B

*Primary Examiner*—B. J. Bullock  
*Assistant Examiner*—Stacia Sinuik  
*Attorney, Agent, or Firm*—Levine & Mandelbaum

[\*\*] Term: **14 Years**

### [57] CLAIM

[21] Appl. No.: **34,538**

The ornamental design for a golf shoe brush, as shown and described.

[22] Filed: **Feb. 7, 1995**

### DESCRIPTION

[52] U.S. Cl. .... **D4/124**

[58] Field of Search ..... D4/124-126, 133-135;  
D21/214, 217; 15/112-113, 161

FIG. 1 is a right side elevation view of the invention;  
FIG. 2 is a rear elevation view of the invention;  
FIG. 3 is a top plan view of the invention;  
FIG. 4 is a left side elevation view of the invention;  
FIG. 5 is a front elevation view of the invention; and,  
FIG. 6 is a bottom plan view of the invention.

### [56] References Cited

#### U.S. PATENT DOCUMENTS

D. 202,613 10/1965 Lion ..... D4/119  
D. 256,524 8/1980 Elliott ..... D4/130 X  
3,349,422 10/1967 Heil ..... D4/130  
4,571,767 2/1986 Dangler ..... 15/161

The jagged lines shown on the head of the brush in FIG. 1 are understood to represent the type of bristles as shown in FIGS. 2, 3, 5 and 6.

**1 Claim, 2 Drawing Sheets**

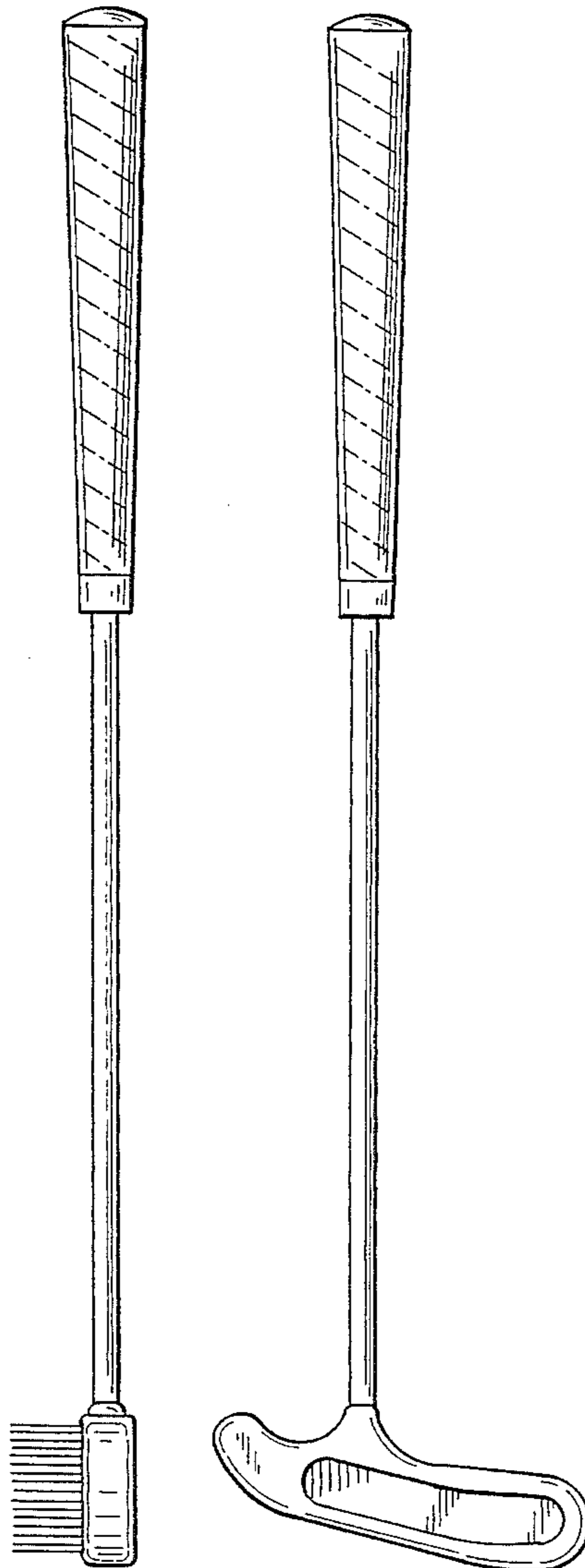


FIG. 1

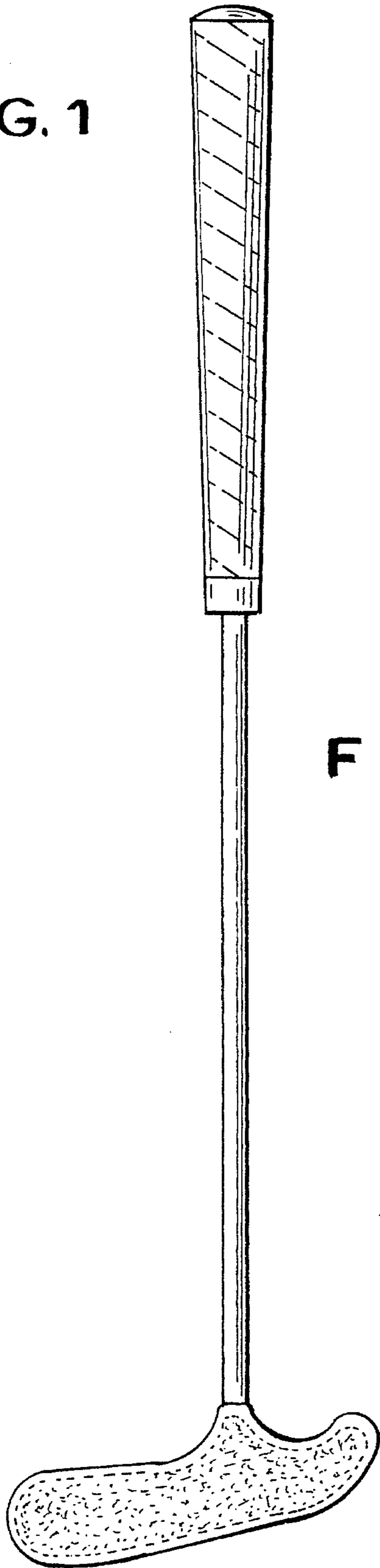


FIG. 2

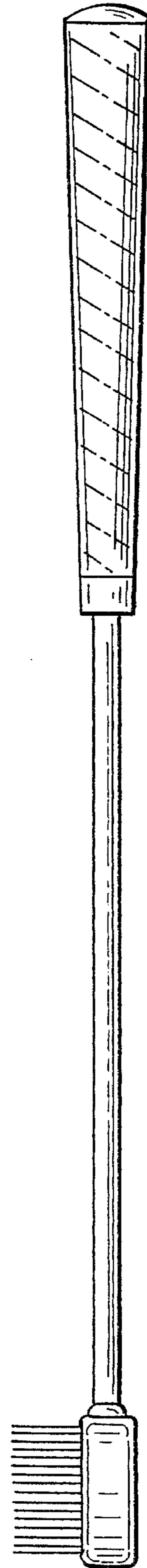


FIG. 3

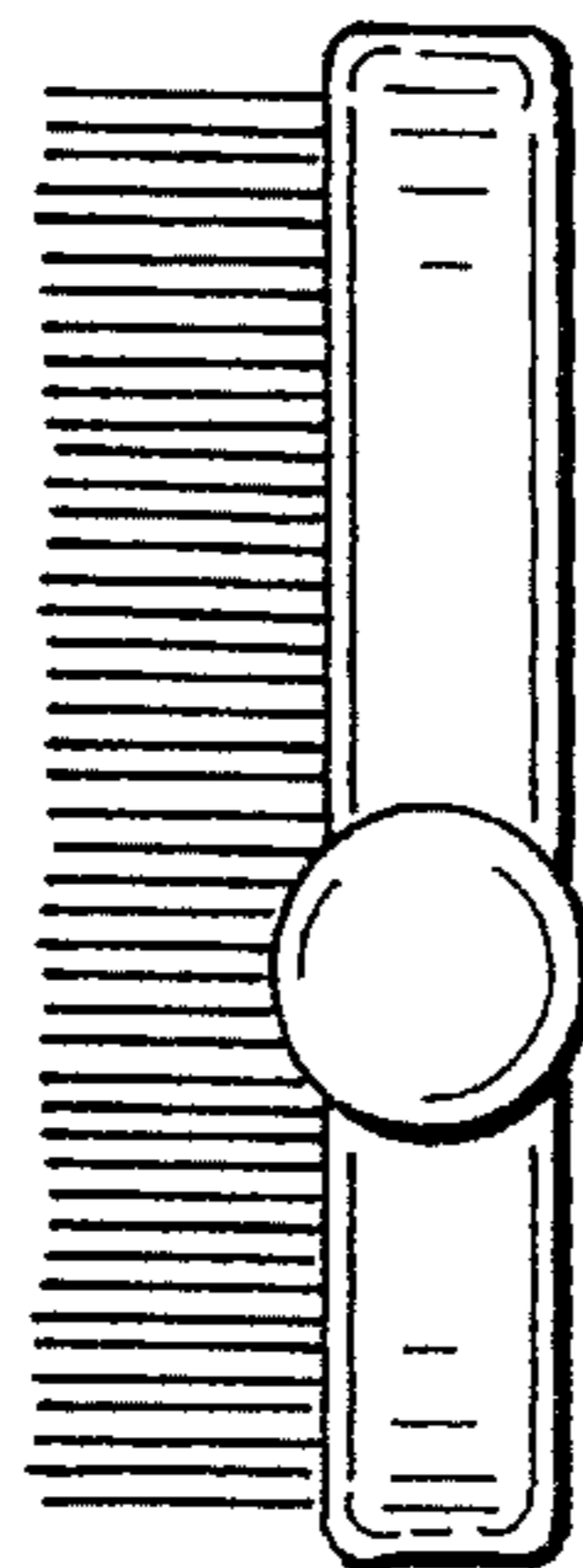


FIG. 5

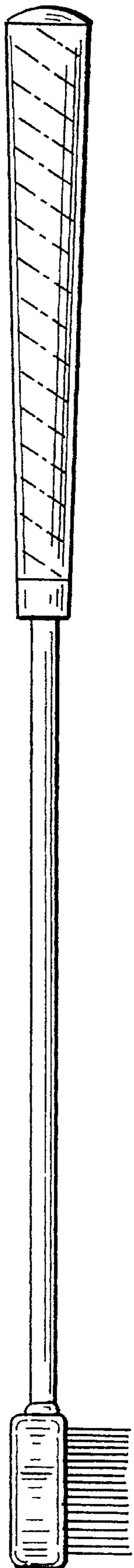


FIG. 4

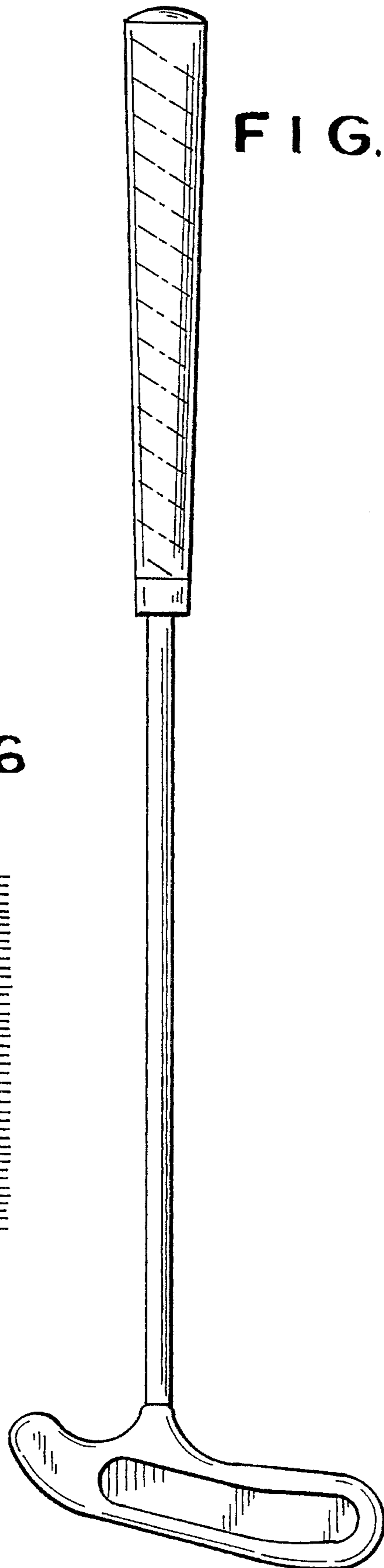


FIG. 6

