



US00D372583S

United States Patent [19]

[11] Patent Number: **Des. 372,583**

Brightbill

[45] Date of Patent: ****Aug. 13, 1996**

[54] STORAGE BASKET

[75] Inventor: **Keith Brightbill**, Wooster, Ohio

[73] Assignee: **Rubbermaid Incorporated**, Wooster, Ohio

[**] Term: **14 Years**

[21] Appl. No.: **27,053**

[22] Filed: **Aug. 12, 1994**

[52] U.S. Cl. **D3/314; D3/312**

[58] Field of Search **D3/304, 307-314; D9/424, 425, 432; 206/503, 506, 509, 511, 518, 557; 220/913, 676, 607; D32/55**

[56] References Cited

U.S. PATENT DOCUMENTS

D. 246,872	1/1978	White .	
D. 258,721	3/1981	Steeg .	
D. 275,918	10/1984	Taylor .	
D. 292,634	11/1987	Chabot .	
D. 300,488	4/1989	Yoshikawa .	
D. 301,076	5/1989	Yoshikawa .	
D. 302,066	7/1989	Yoshikawa .	
D. 302,774	8/1989	Murphy .	
D. 307,348	4/1990	Yoshikawa .	
D. 326,345	5/1992	Mandell et al. .	
D. 328,425	8/1992	Brightbill .	
D. 330,329	10/1992	Brightbill .	
D. 330,963	11/1992	Hampshire .	
D. 336,698	6/1993	Conaway et al.	D3/307
D. 339,436	9/1993	Craft et al. .	
D. 342,609	12/1993	Brightbill .	
D. 348,345	6/1994	Yoshikawa .	
D. 348,346	6/1994	Yoshikawa .	
D. 349,813	8/1994	Schwartzkopf .	
4,760,921	8/1988	Licari .	
4,770,300	9/1988	Klein	206/506

OTHER PUBLICATIONS

Catalog page, Stack'n roll and cart; Manufacturer and address unknown Publication date 1993.

Catalog page, Storage bins and crates; Sterilite Corporation, P.O. Box 524, Main Street, Townsend, Massachusetts. Publication date 1990.

Catalog page, Storage bins and crates; Sterilite Corporation, P.O. Box 524, Main Street, Townsend, Massachusetts. Publication date 1990.

Page 13, Stack and store bins; Max Klein, Baraboo, Wisconsin 53913. Published at least as early as 1990.

Catalog page, Storage bin; Tucker Housewares, 340 Central Street, Leominster, Massachusetts. Published at least as early as 1991.

Page 15, Laundry basket; Curver, Takkebijsters 75, Postbus 6810, 4802 HV Breda, The Netherlands. Publication date 1991.

Catalog page, Storage containers, Rubbermaid Incorporated, 1147 Akron Road, Wooster, Ohio 44691. Publication date 1991.

Catalog page, Pop-up box; Rubbermaid Incorporated, 1147 Akron Road, Wooster, Ohio 44691. Publication date 1991.

Page 20, Stackable bins; Rubbermaid Incorporated, 1147 Akron Road, Wooster, Ohio 44691. Publication date 1986.

Catalog page, Baskets with covers and bins; Tucker Housewares, 340 Central Street, Leominster, Massachusetts. Publication date April, 1991.

Primary Examiner—B. J. Bullock

Assistant Examiner—Richelle Shelton

Attorney, Agent, or Firm—Richard B. O'Planick; Lisa B. Riedesel

[57] CLAIM

The ornamental design for a storage basket, as shown and described.

DESCRIPTION

FIG. 1 is a top right front perspective view of a storage basket showing my new design;

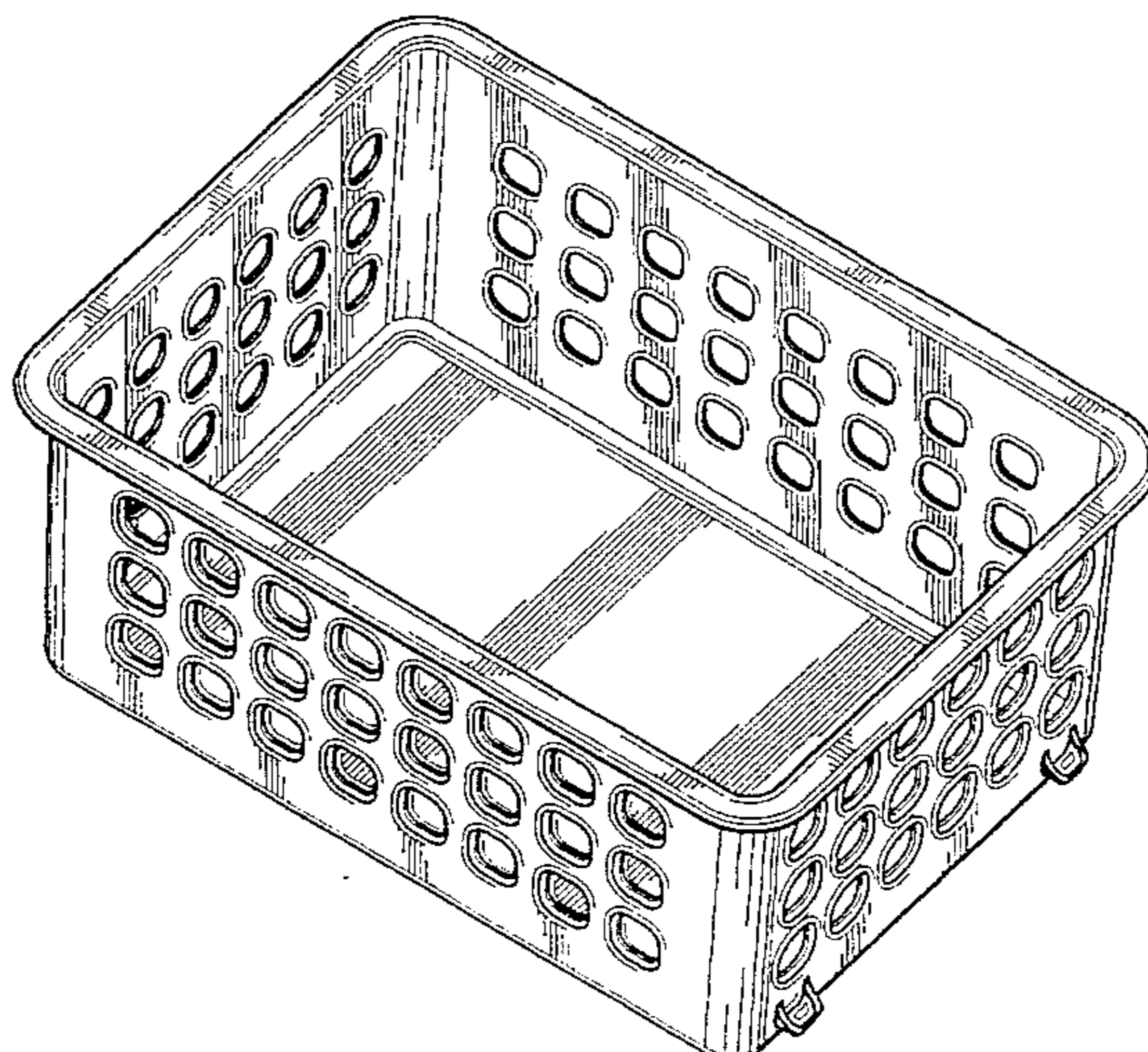
FIG. 2 is a front elevational view thereof, the rear elevational view being a mirror image;

FIG. 3 is a right side elevational view thereof, the left side elevational view being a mirror image;

FIG. 4 is a top plan view thereof; and,

FIG. 5 is a bottom plan view thereof.

1 Claim, 5 Drawing Sheets



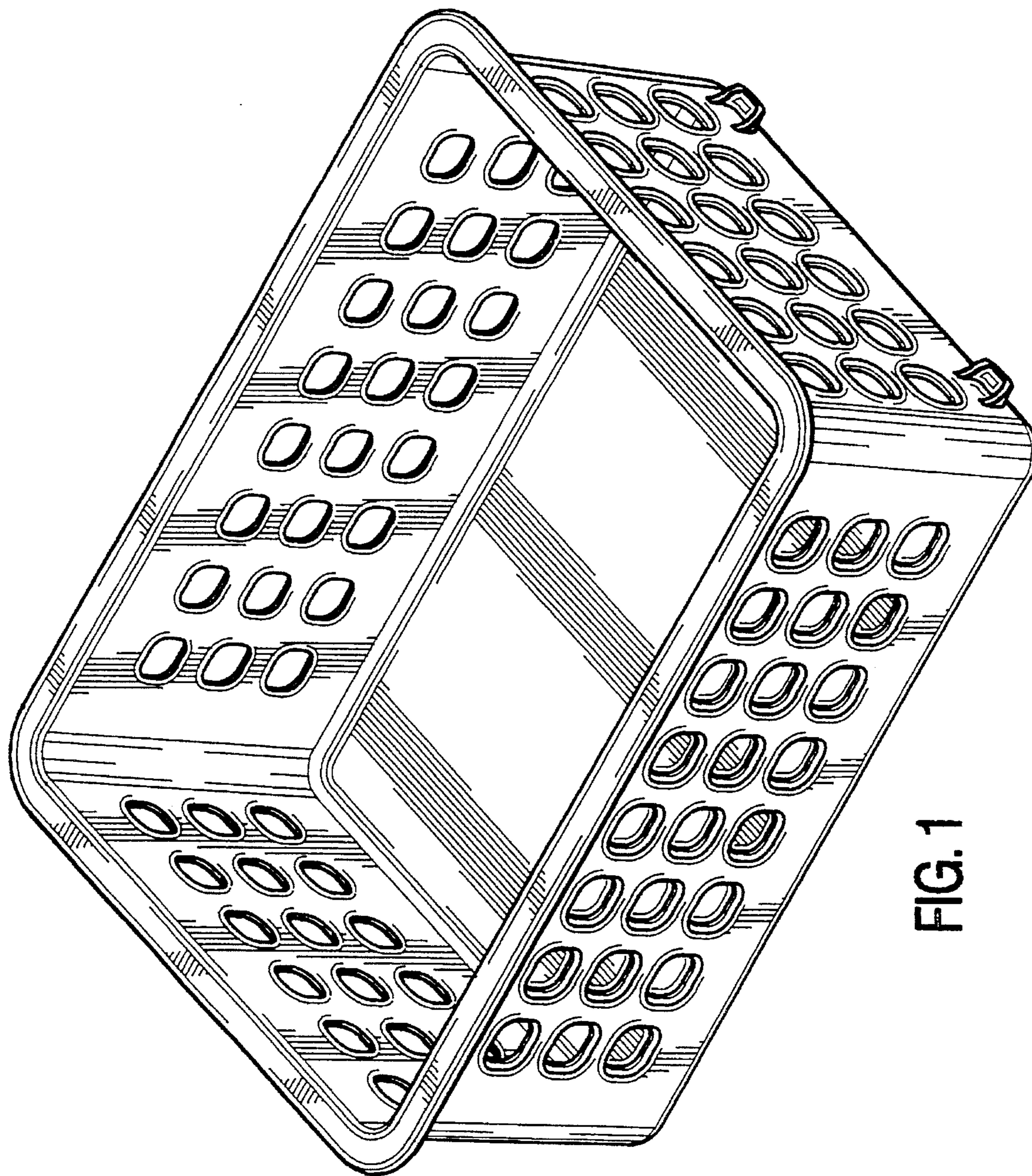


FIG. 1

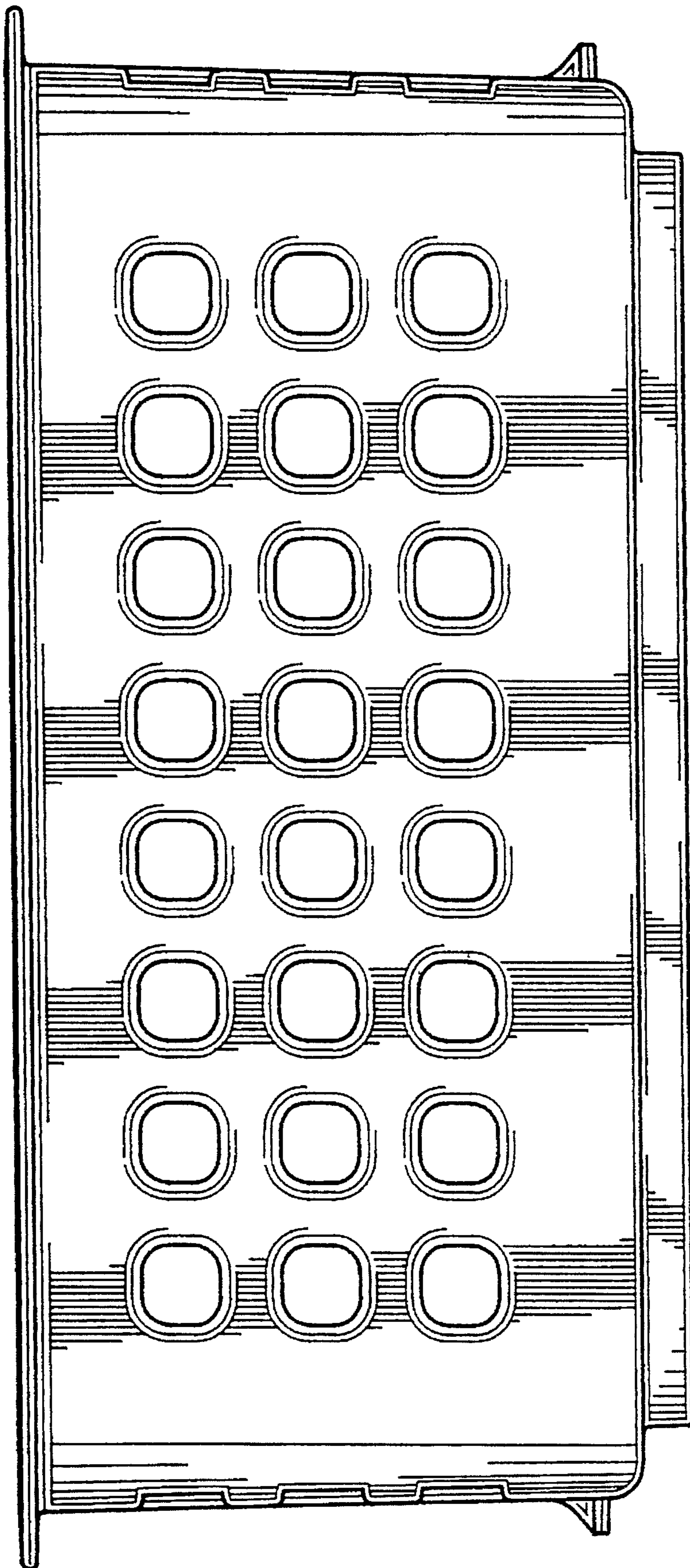


FIG. 2

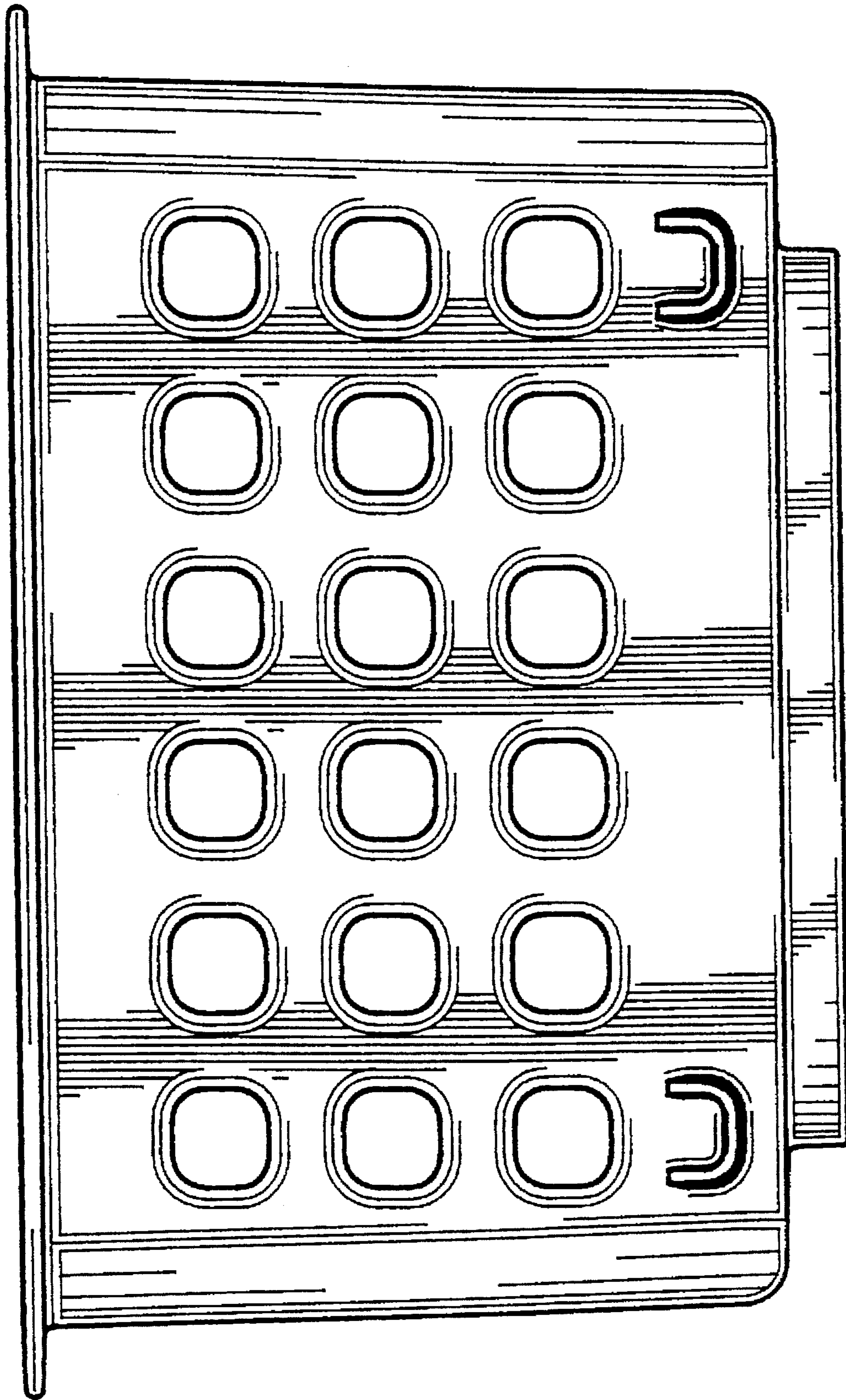


FIG. 3

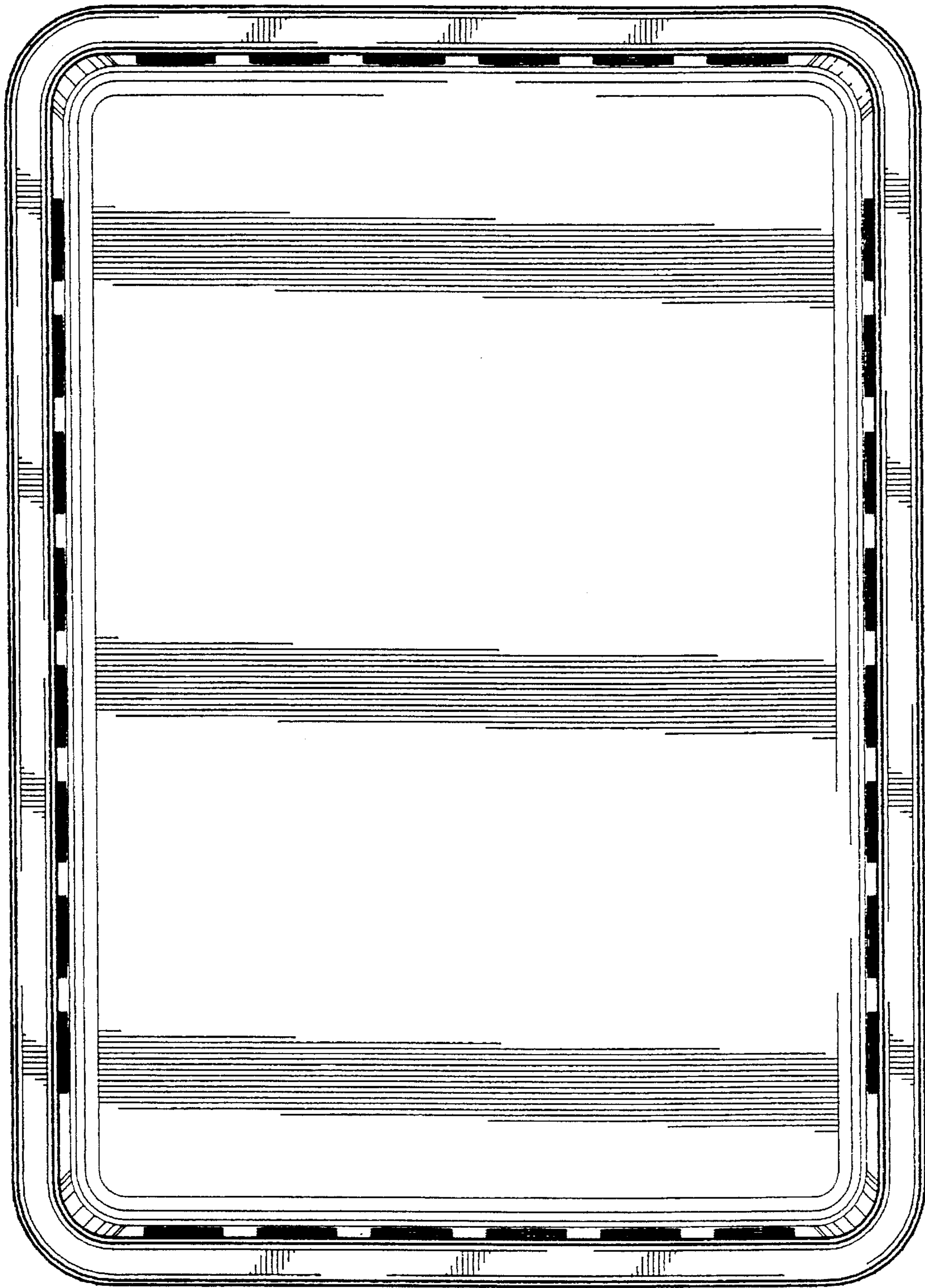


FIG. 4

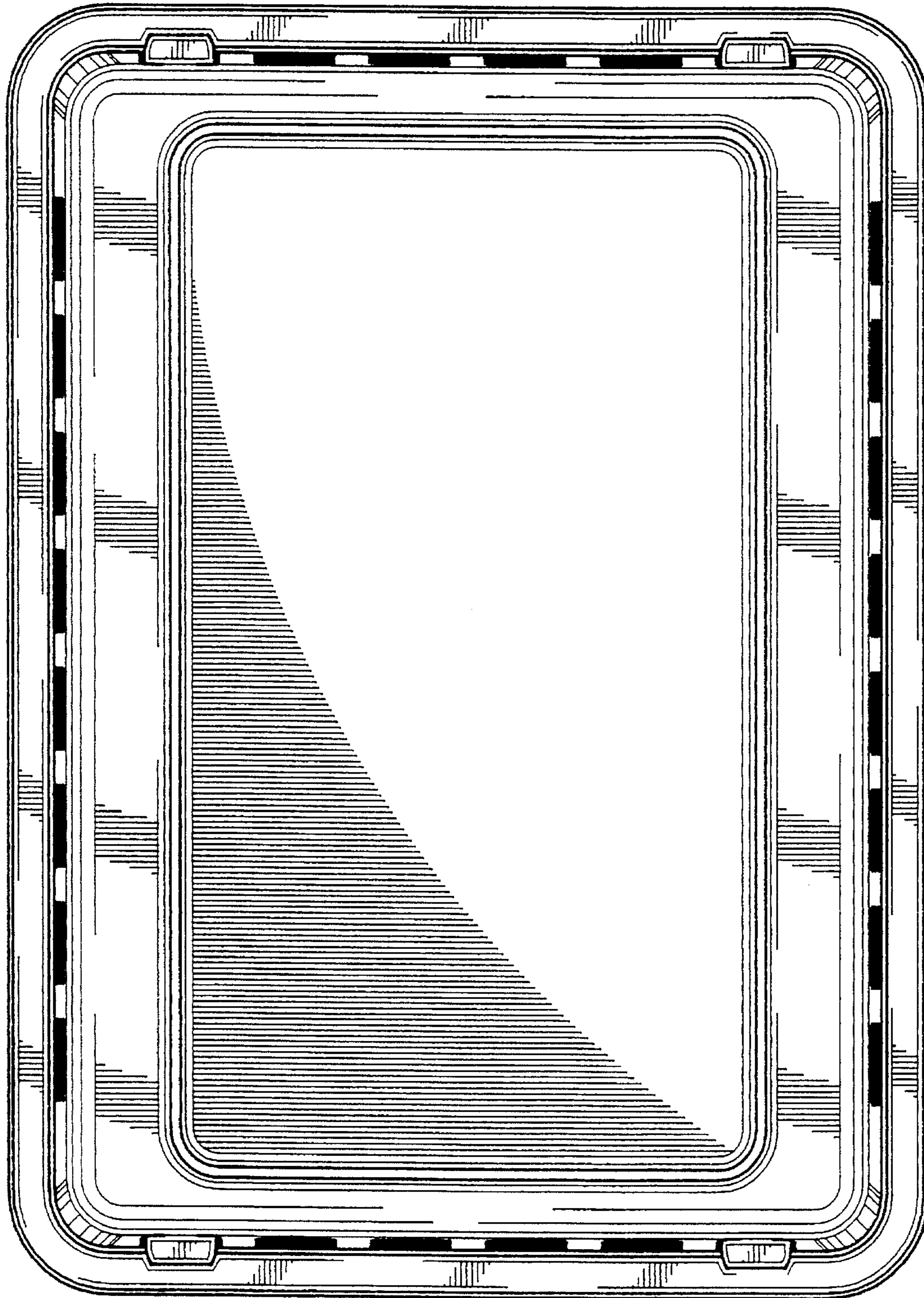


FIG. 5