



US00D372582S

United States Patent [19]

[11] Patent Number: **Des. 372,582**

Beaty et al.

[45] Date of Patent: ****Aug. 13, 1996**

[54] **HANDPIECE ASSEMBLAGE CONTAINER**

Assistant Examiner—Richelle Shelton

[75] Inventors: **Michael A. Beaty; Jon P. Page**, both of Boulder, Colo.

Attorney, Agent, or Firm—Peter C. Richardson; Lawrence C. Akers; Aaron Passman

[73] Assignee: **Valley Inc.**, Boulder, Colo.

[57] **CLAIM**

[**] Term: **14 Years**

The ornamental design for a handpiece assemblage container, as shown and described.

[21] Appl. No.: **36,610**

DESCRIPTION

[22] Filed: **Feb. 8, 1995**

[52] U.S. Cl. **D3/313**

[58] Field of Search D3/304, 313; D24/140; 606/1; 206/363, 364, 372, 373; 220/500, 555, DIG. 12; D9/424, 456, 347

FIG. 1 is a perspective view of a handpiece assemblage container showing our new design, with a tool shown in phantom therein and forming no part of the claimed design; FIG. 2 is an end elevation view of the right end thereof; FIG. 3 is an end elevational view of the left end thereof; FIG. 4 is a side elevational view of that side facing the viewer in FIG. 1;

[56] **References Cited**

U.S. PATENT DOCUMENTS

4,501,363	2/1985	Isbey	206/363
4,915,225	4/1990	Tabor et al.	206/364
5,353,929	10/1994	Foster	206/564
5,441,152	8/1995	Estes	206/363

FIG. 5 is a side elevational view of the side hidden in FIG. 1;

FIG. 6 is a top plan view thereof;

FIG. 7 is a bottom plan view thereof; and,

FIG. 8 is a bottom perspective view thereof.

Primary Examiner—B. J. Bullock

1 Claim, 5 Drawing Sheets

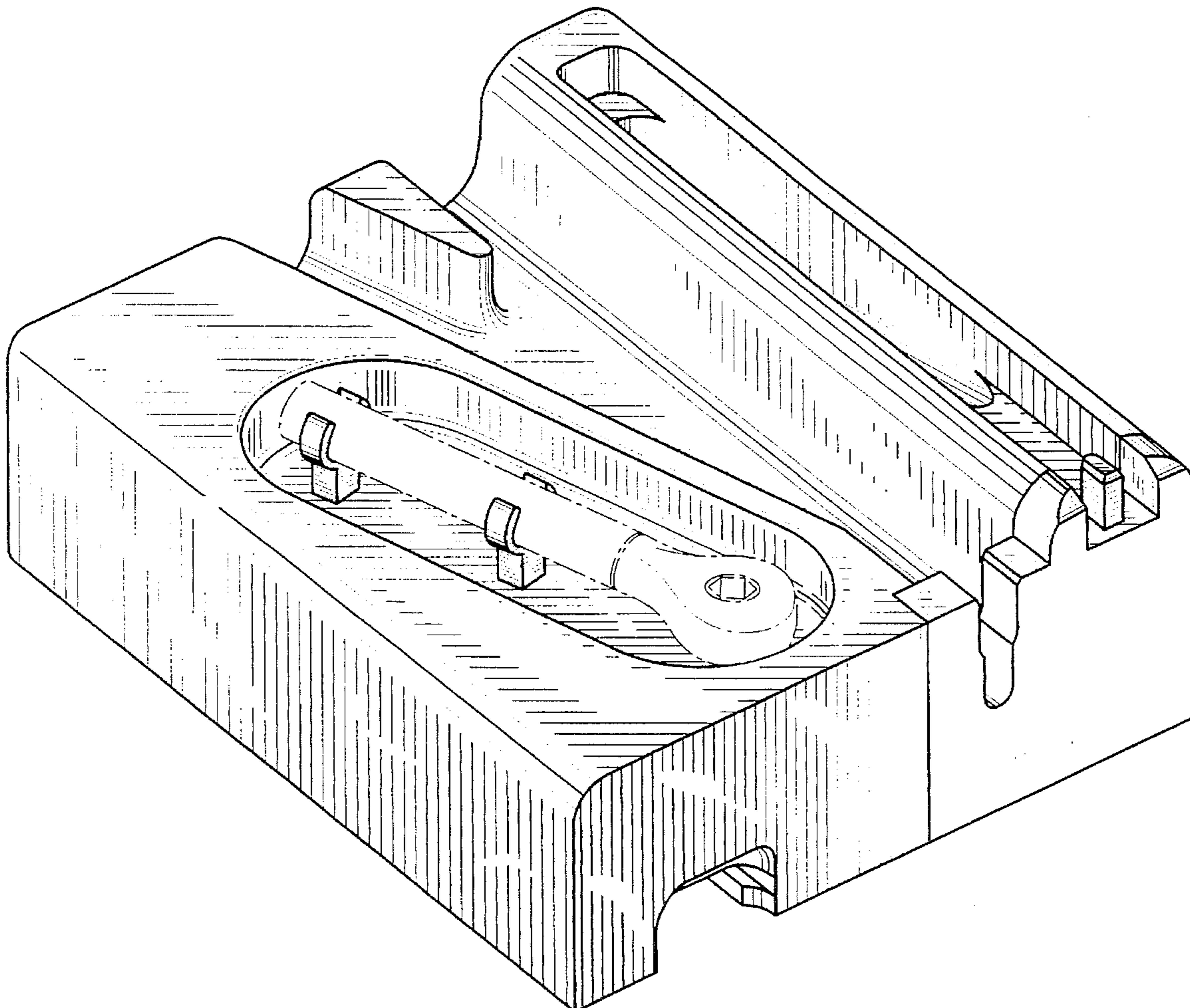


FIG. 1

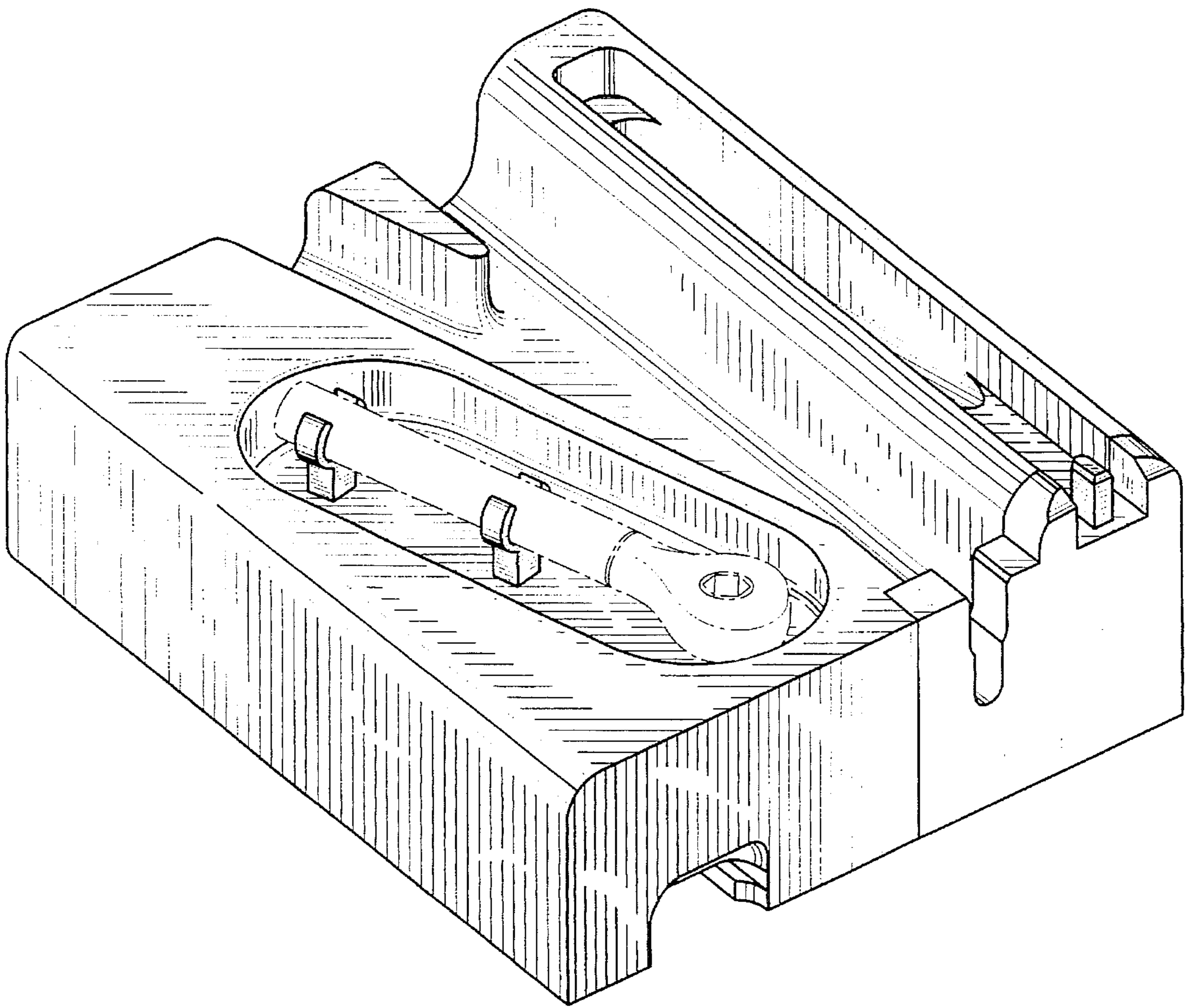


FIG. 2

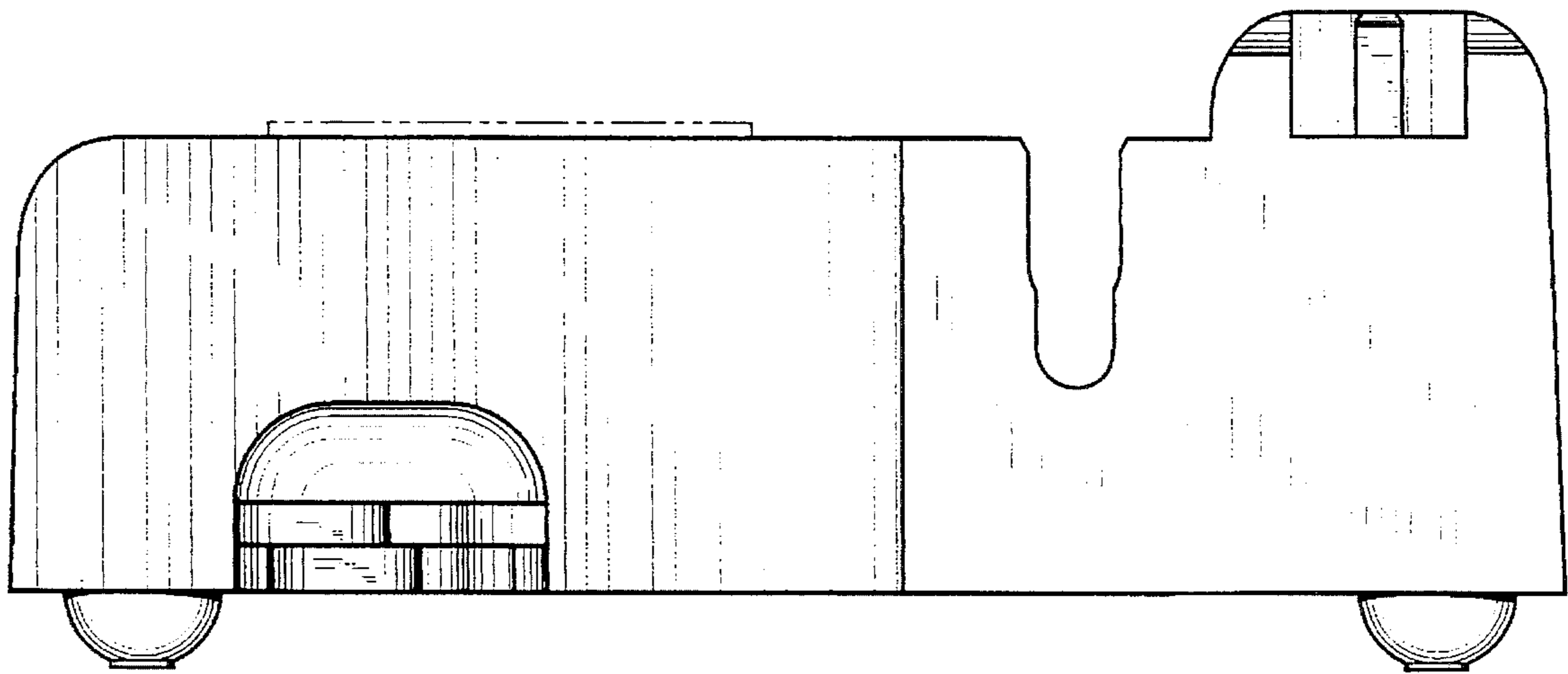


FIG. 3

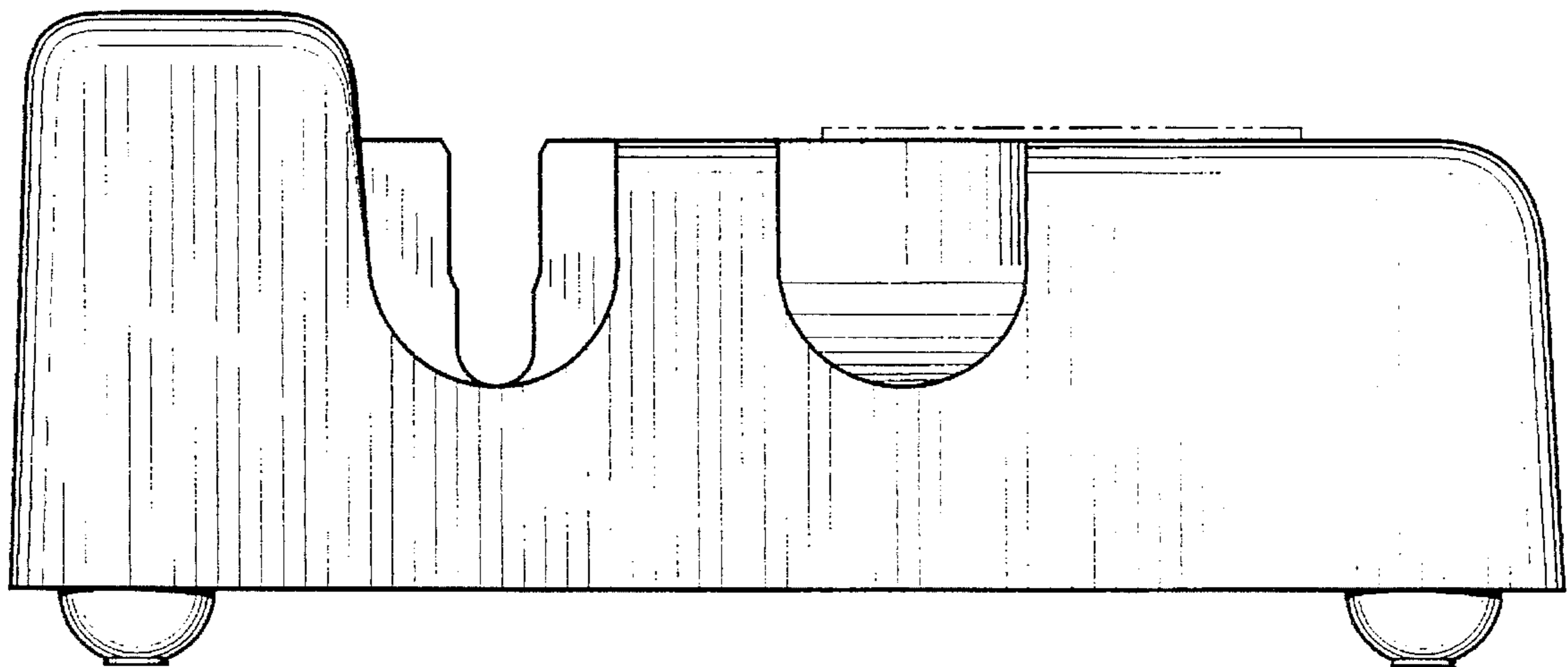


FIG. 4

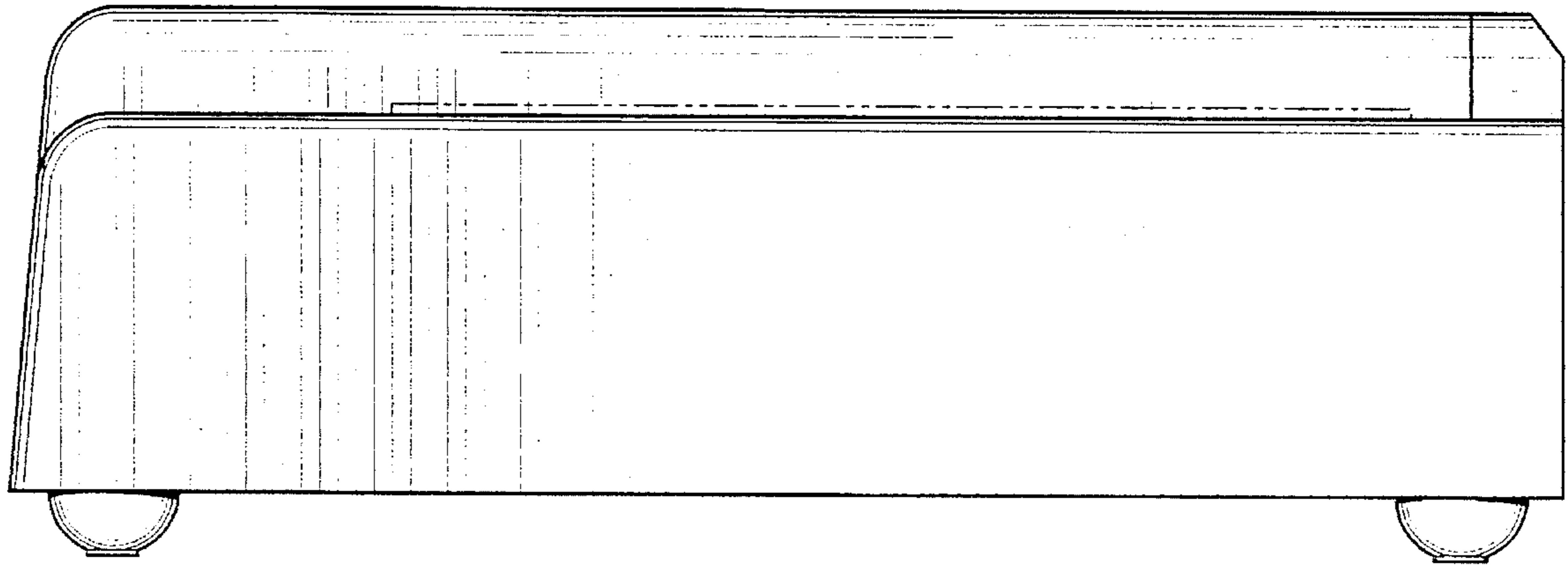


FIG. 6

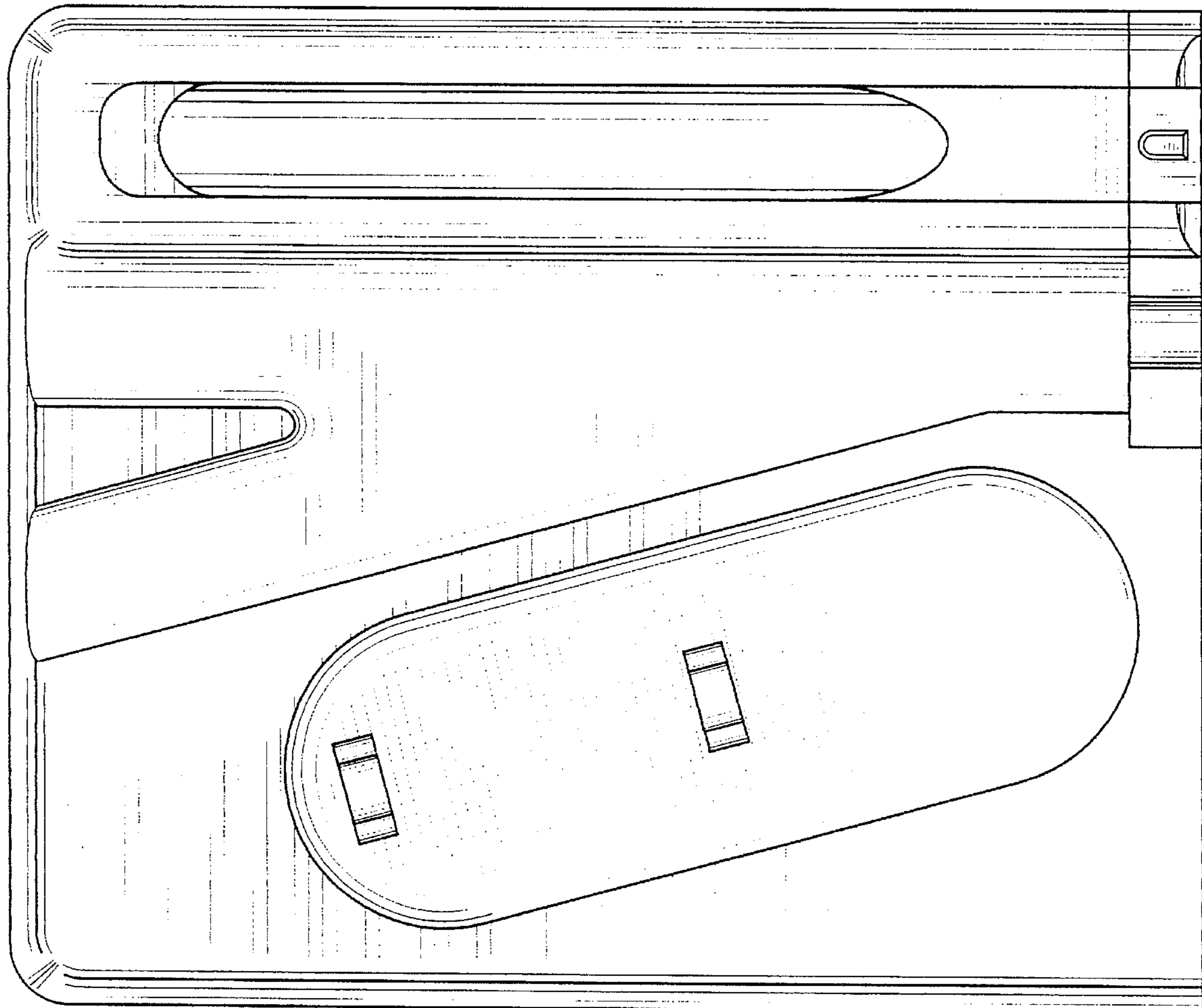


FIG. 5

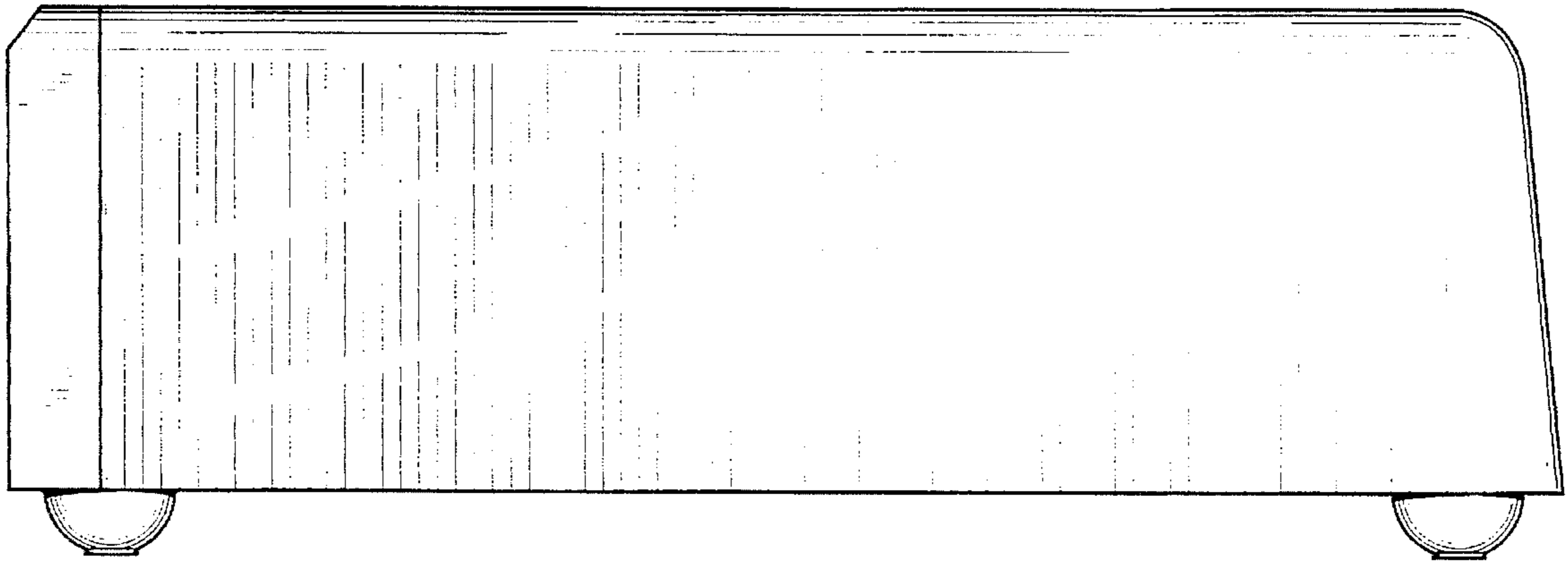


FIG. 7

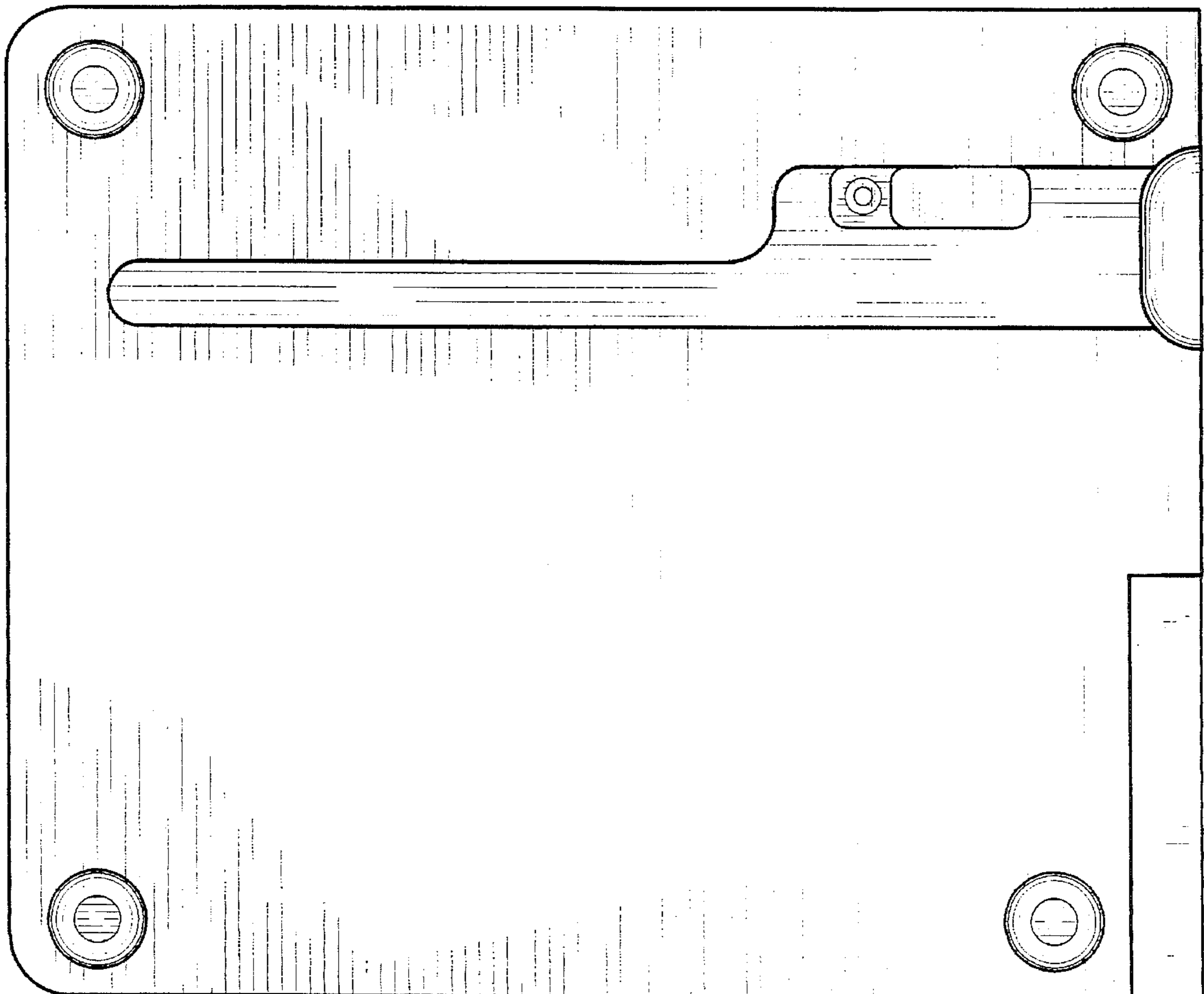


FIG. 8

