



US00D372580S

# United States Patent [19]

Chipman, Sr.

[11] Patent Number: **Des. 372,580**

[45] Date of Patent: **\*\*Aug. 13, 1996**

[54] STORAGE CASE FOR GUN POWDER AND SHOT

[76] Inventor: **Raymond R. Chipman, Sr.**, 204 4th St., Ingram, Tex. 78025

[\*\*] Term: **14 Years**

[21] Appl. No.: **34,268**

[22] Filed: **Jan. 31, 1995**

[52] U.S. Cl. .... **D3/262**

[58] Field of Search ..... D3/262, 304, 905; D9/423, 432, 424, 414, 418, 341; 206/267; 217/59, 62; 220/345, 346

[56] **References Cited**

**U.S. PATENT DOCUMENTS**

D. 252,715	8/1979	Cole	.....	D3/262
D. 322,169	12/1991	Mietelski	.....	D3/905 X
D. 342,892	1/1994	Teerds	.....	D9/432 X
390,135	9/1888	Morey	.....	217/62
1,158,132	10/1915	Jacovatos	.....	206/267 X
3,531,012	9/1970	Bergh et al.	.....	217/62

3,630,344	12/1971	Bergh et al.	.....	220/345 X
3,833,143	9/1974	Starkermann et al.	.....	220/345
5,388,691	2/1995	White	.....	220/346 X

*Primary Examiner*—Doris V. Coles  
*Assistant Examiner*—Catherine R. Oliver  
*Attorney, Agent, or Firm*—Harpman & Harpman

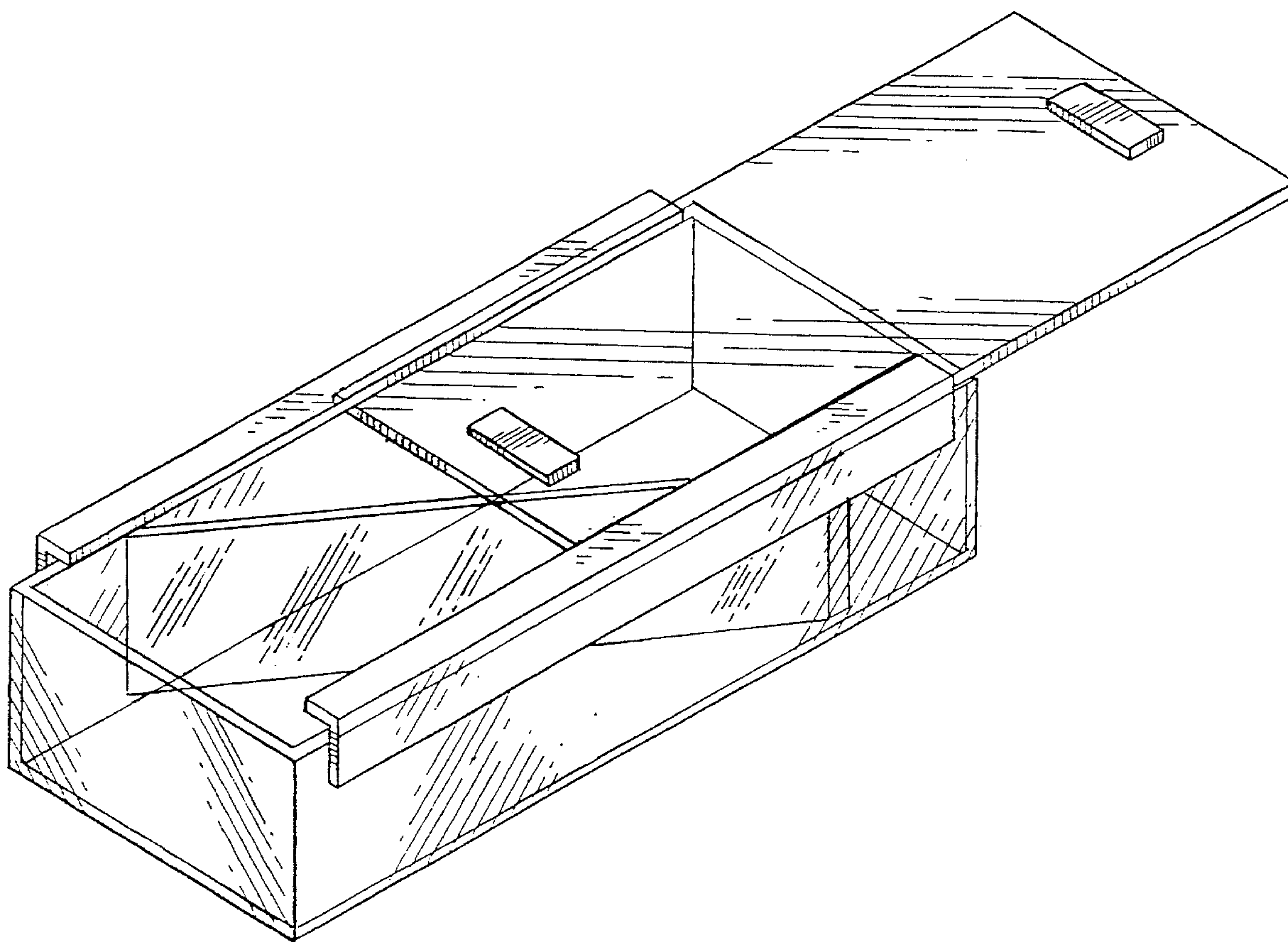
[57] **CLAIM**

The ornamental design for a storage case for gun powder and shot, as shown and described.

**DESCRIPTION**

FIG. 1 is a front, top and side perspective view of the storage case for gun powder and shot embodying the design of the present invention in open position; FIG. 2 is a side elevational view thereof, in closed position the side opposite being a mirror image of the side shown in FIG. 2; FIG. 3 is a rear elevational view thereof; FIG. 4 is a top plan view thereof; and, FIG. 5 is a bottom plan view thereof.

**1 Claim, 3 Drawing Sheets**



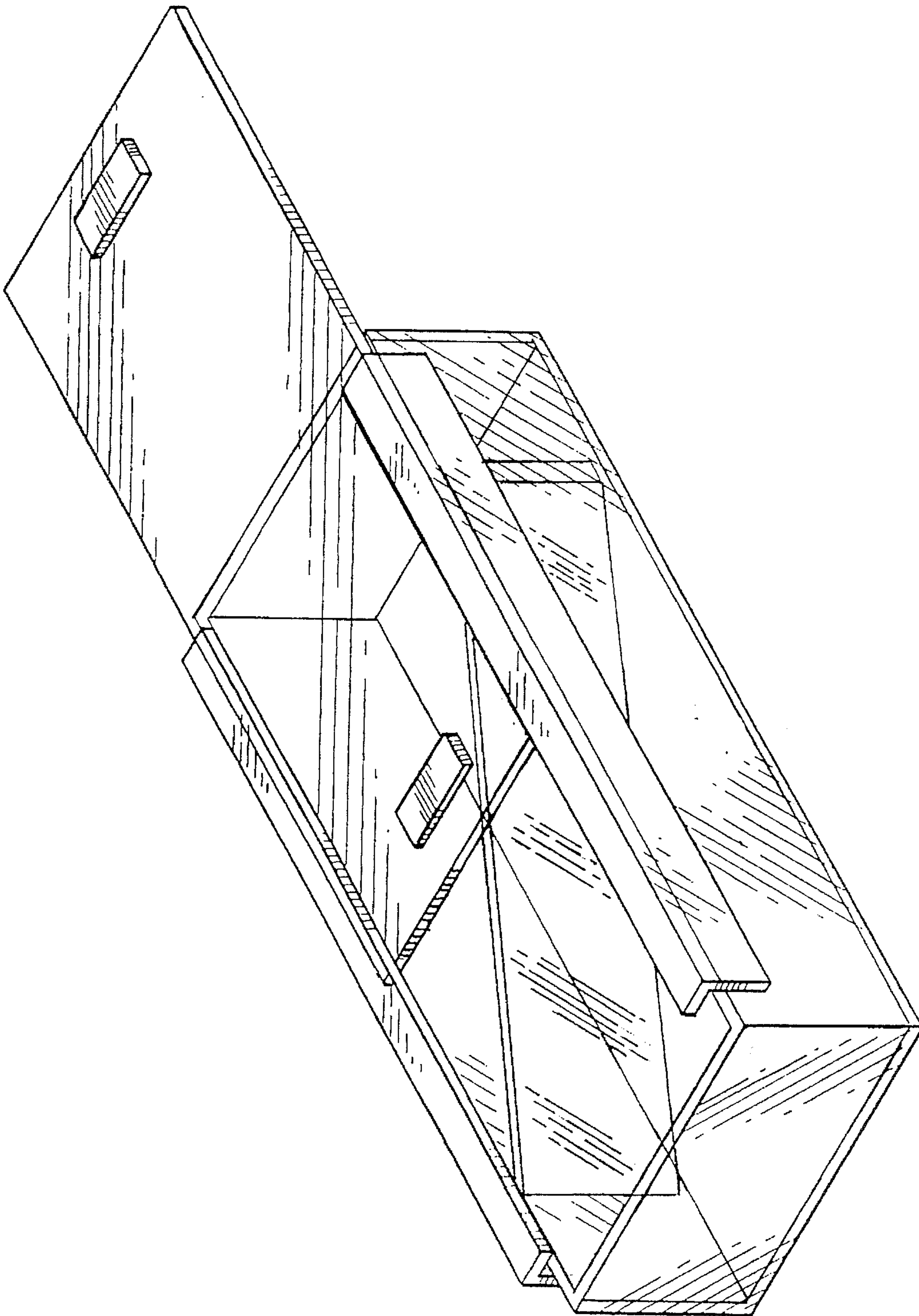


FIG. 1

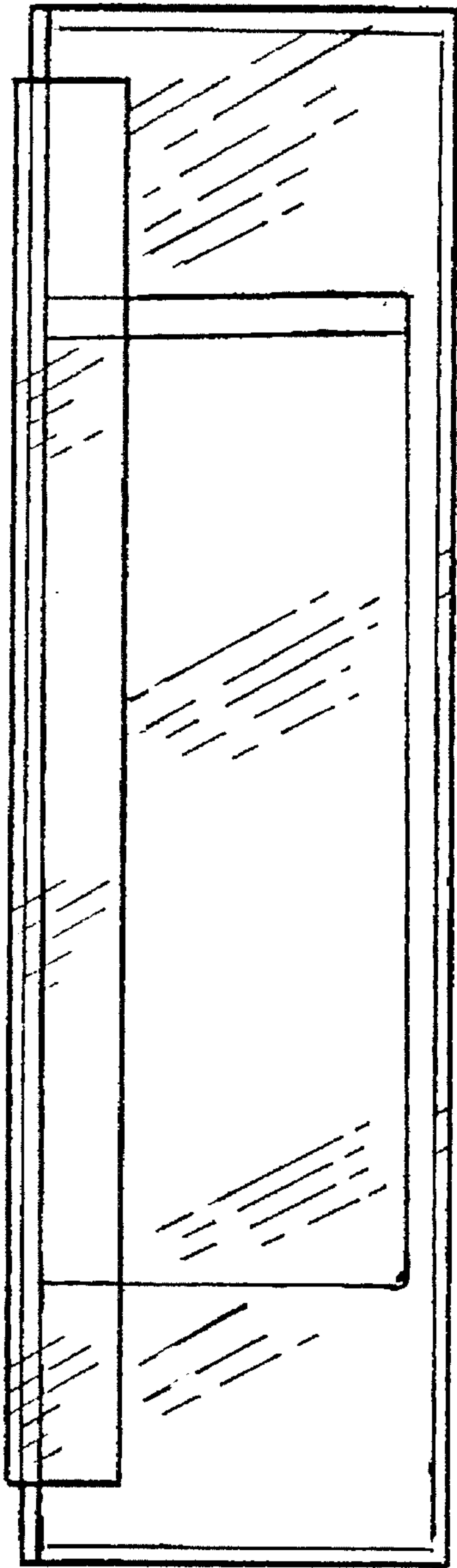


FIG. 2

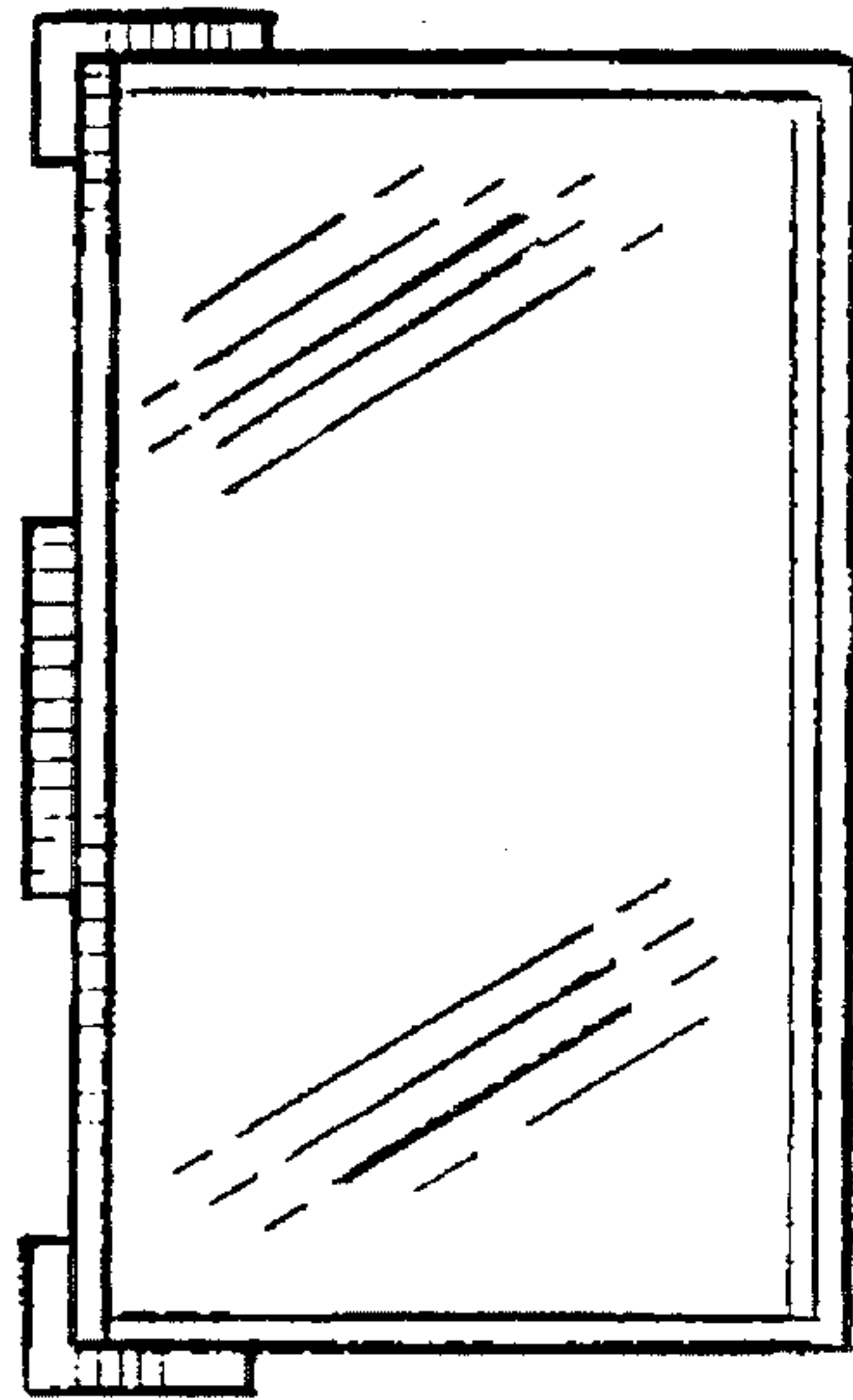


FIG. 3



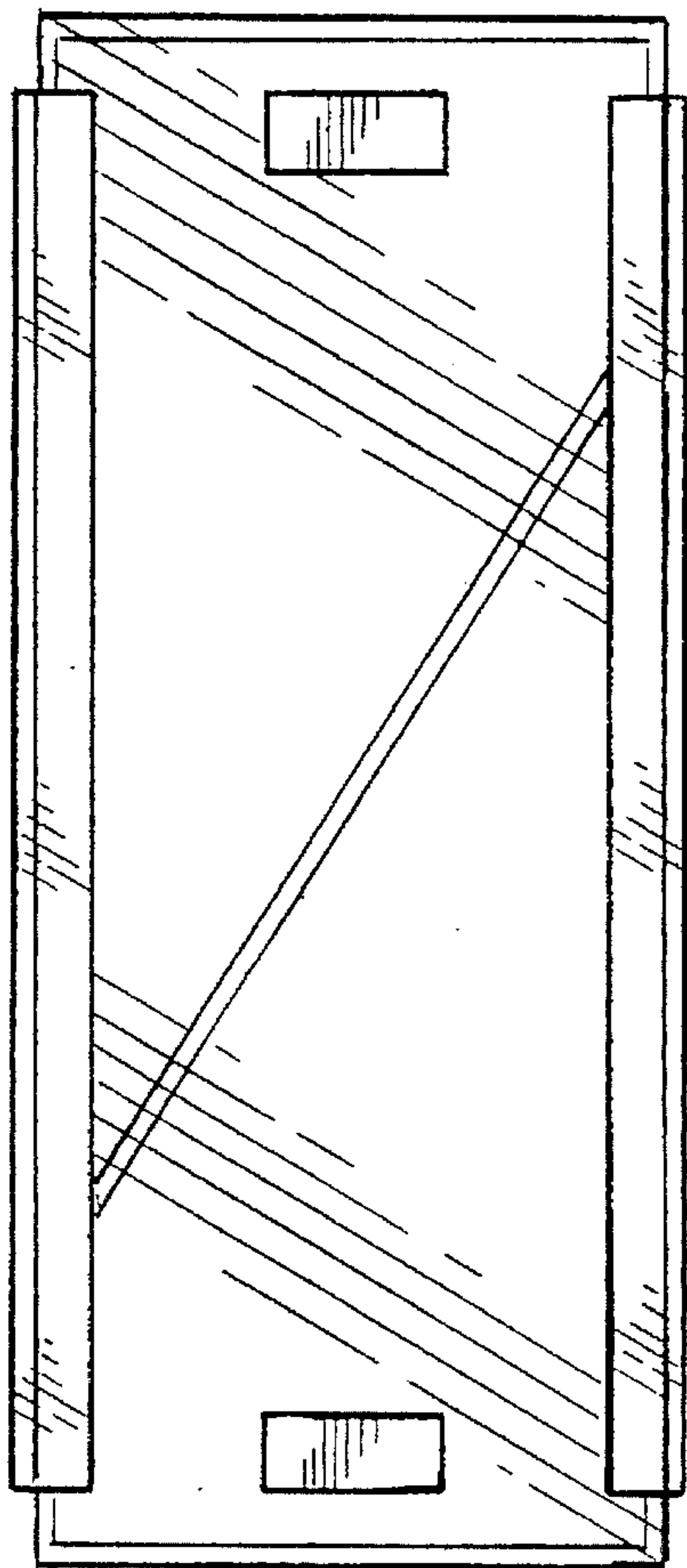


FIG. 4

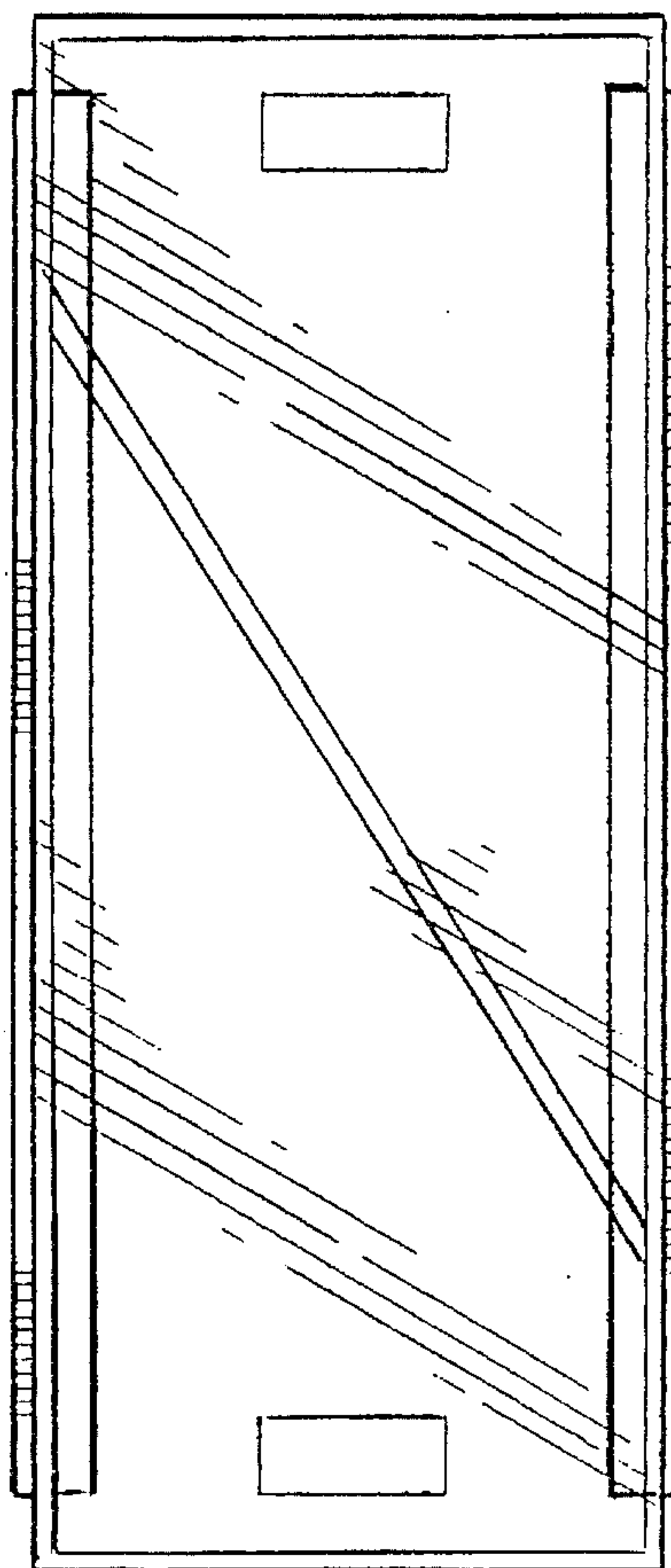


FIG. 5