



US00D372573S

United States Patent [19]

[11] Patent Number: **Des. 372,573**

Edmark

[45] Date of Patent: ****Aug. 13, 1996**

[54] HAT

[76] Inventor: **Tomima L. Edmark**, P.O. Box 671269, Dallas, Tex. 75367

[**] Term: **14 Years**

[21] Appl. No.: **42,344**

[22] Filed: **Aug. 8, 1995**

[52] U.S. Cl. **D2/880**

[58] Field of Search D2/865, 866, 877, D2/880, 881, 886, 887, 888; 2/177, 171.03, 181.4, 182.1, 195.1, 175.1, 209.7

3,869,727	3/1975	Hartman et al. .
4,443,892	4/1984	Burgin .
4,549,316	10/1985	Johnson .
4,682,373	7/1987	Baran .
4,815,784	3/1989	Zheng .
4,999,851	3/1991	Hall .
5,188,097	2/1993	Hansen .
5,247,709	9/1993	Epply .
5,287,561	2/1994	Spector .
5,365,612	11/1994	Yoshida .

Primary Examiner—Ted Shooman
Assistant Examiner—Paula Mortimer
Attorney, Agent, or Firm—J. M. Gilbreth

[56] References Cited

U.S. PATENT DOCUMENTS

D. 352,596	11/1994	Williams, Jr. .	
660,529	10/1900	Johnson	D2/886 X
995,990	6/1911	Stern	2/195.1
1,894,213	1/1933	Ostolaza	2/182.1
2,143,051	1/1939	Cavanagh	2/195.1
2,194,043	3/1940	Jacobi	2/177 X
2,716,753	9/1955	Gordon .	
2,803,015	8/1957	Milone .	
3,097,363	7/1963	Leblanc .	
3,737,081	6/1973	James .	
3,739,401	6/1973	Fekete .	
3,852,822	12/1974	Watkins et al. .	

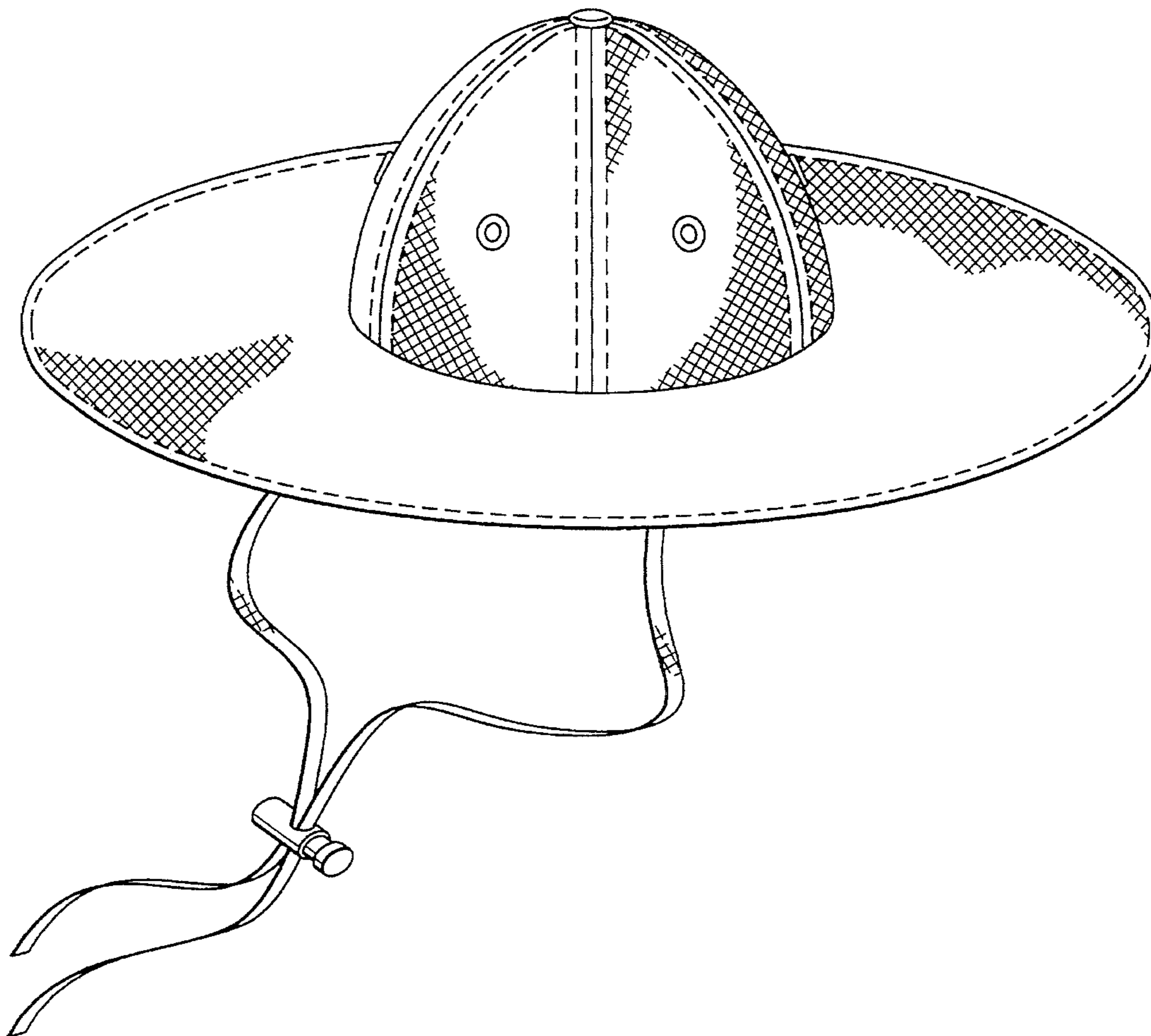
[57] CLAIM

The ornamental design for a hat, as shown and described.

DESCRIPTION

FIG. 1 is a front and left perspective view of a hat showing my new design;
FIG. 2 is a top plan view thereof;
FIG. 3 is a bottom and right perspective view thereof;
FIG. 4 is a bottom plan view thereof; and,
FIG. 5 is a cross-sectional view thereof, taken in the direction of line 5—5 of FIG. 4, the tie is shown broken away for ease of illustration.

1 Claim, 3 Drawing Sheets



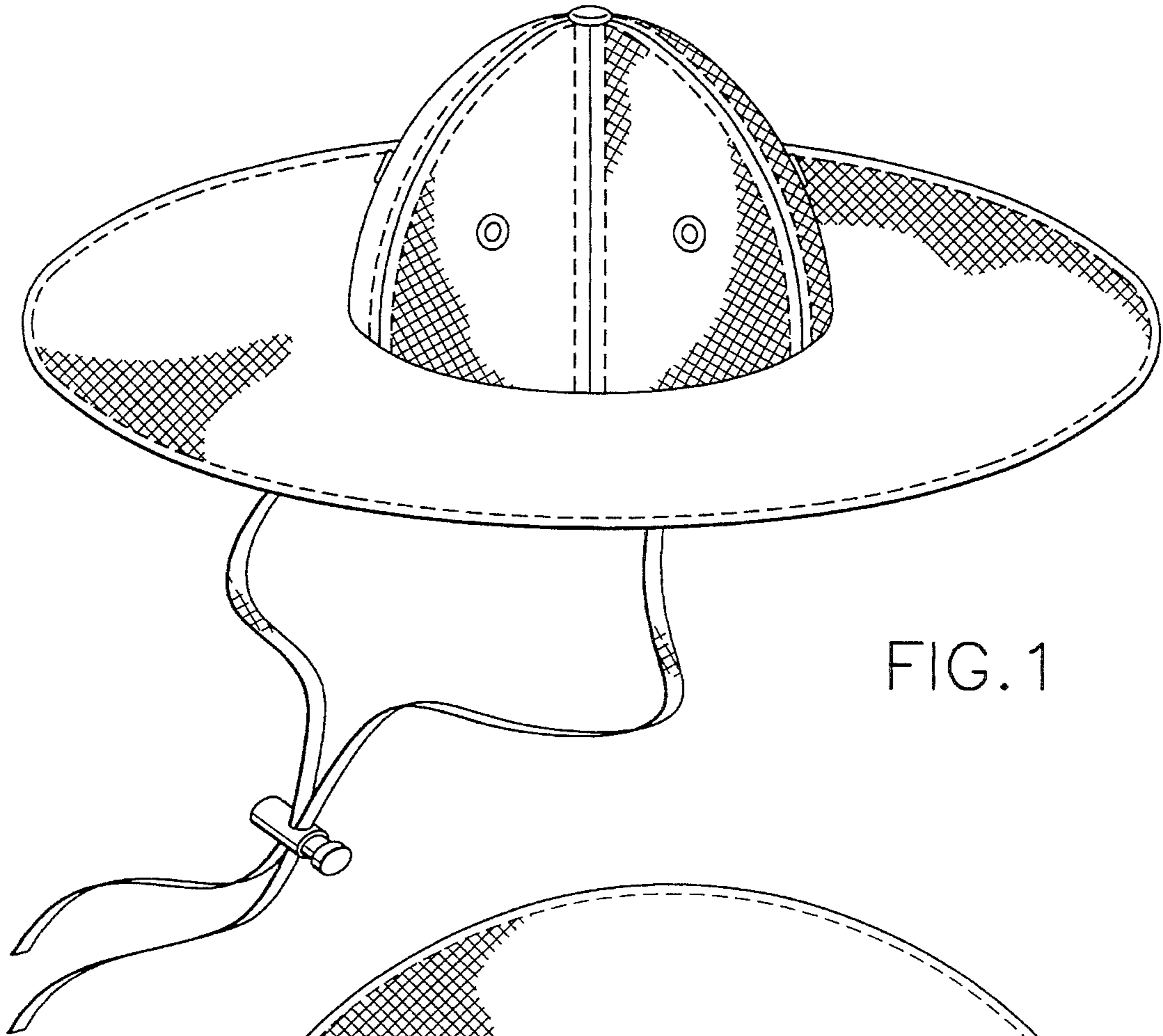


FIG. 1

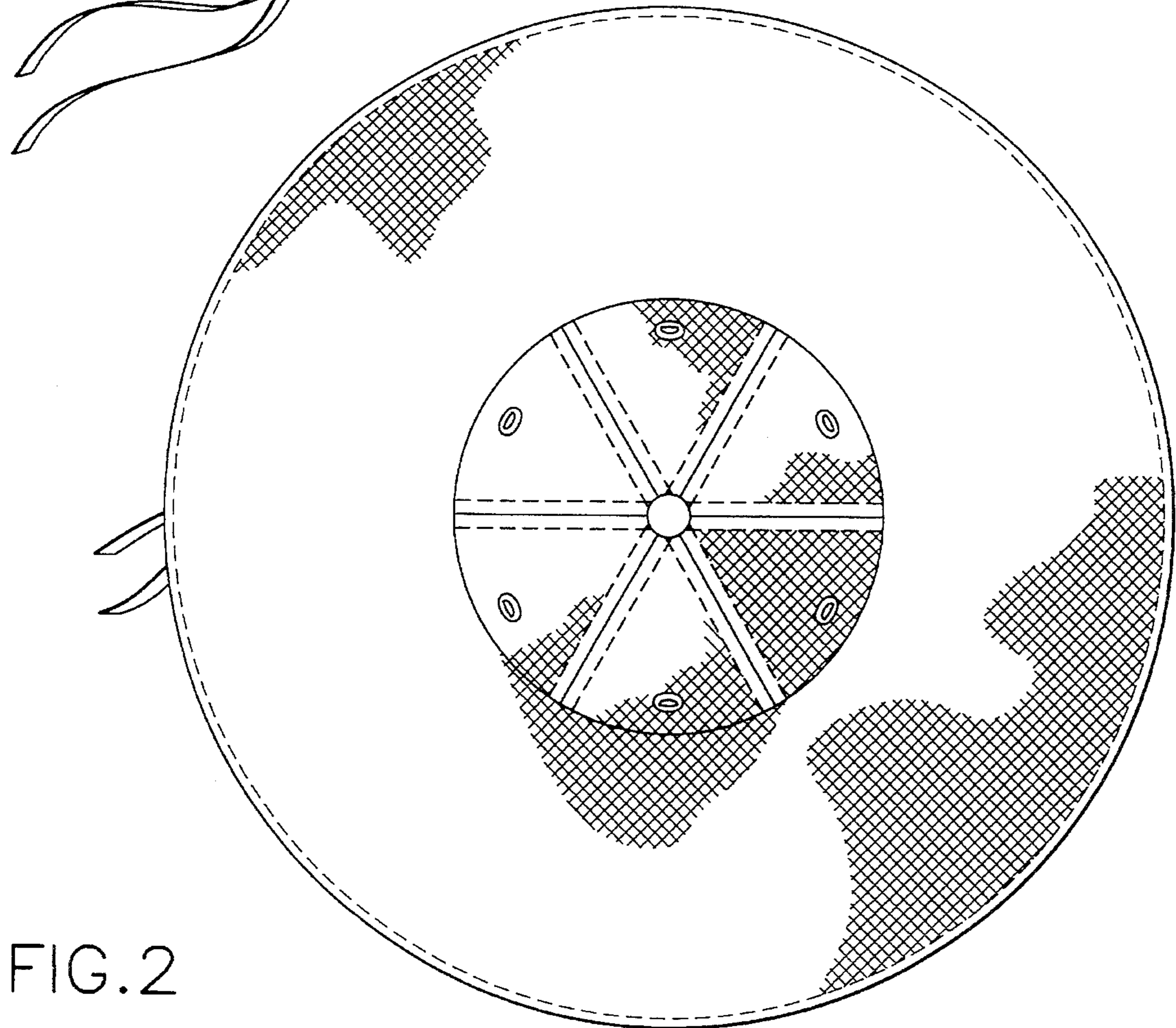


FIG. 2

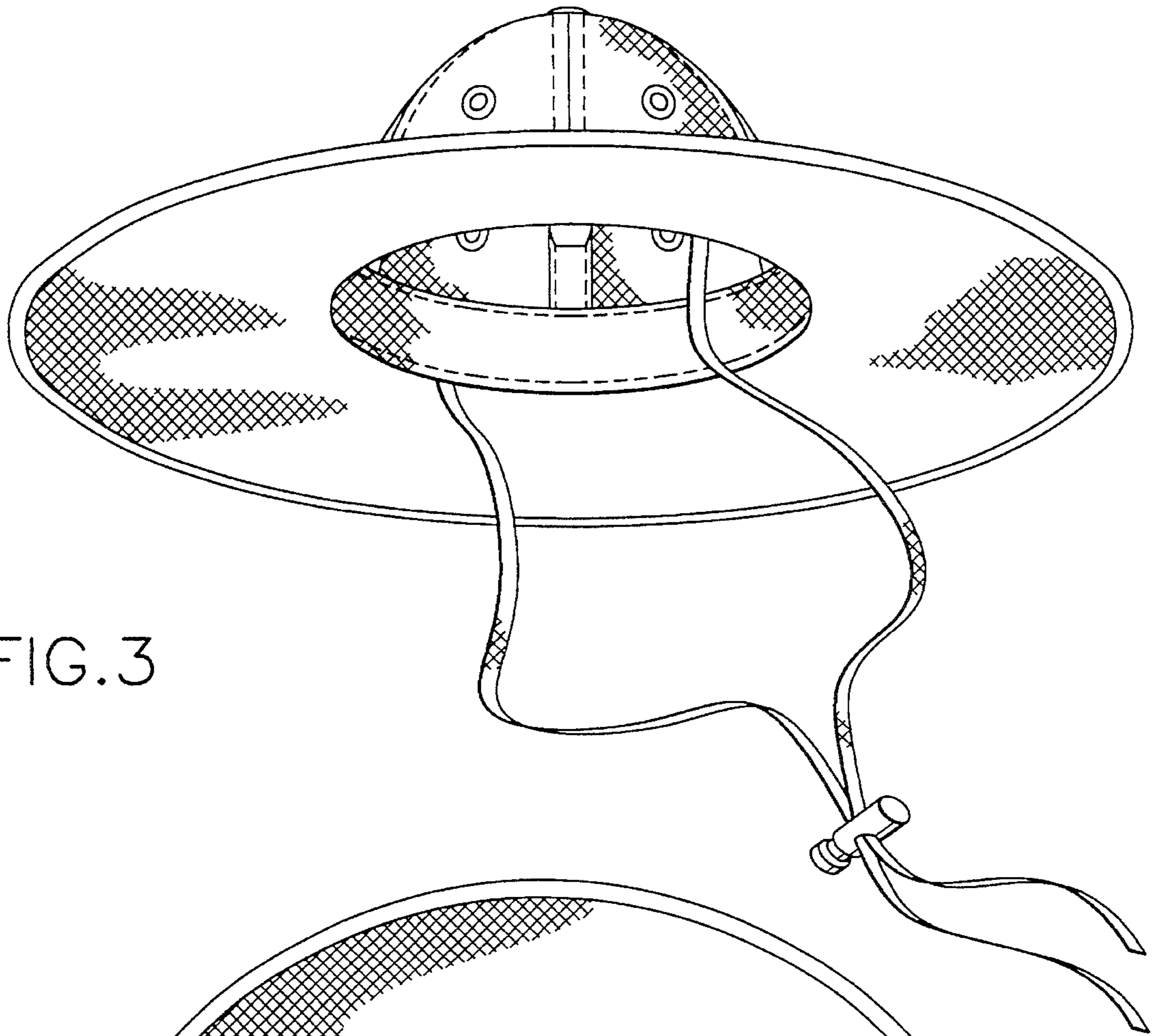


FIG. 3

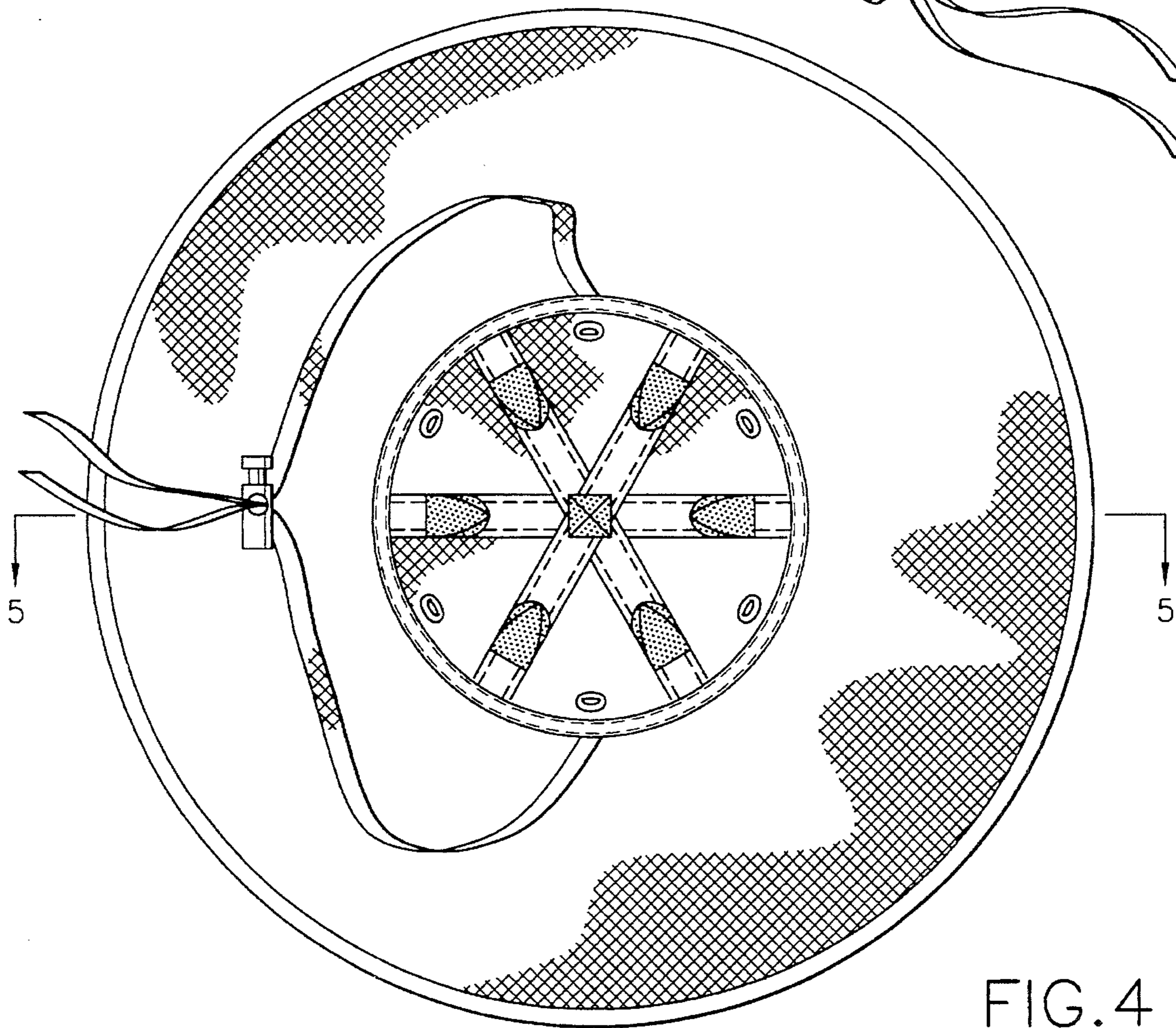


FIG. 4

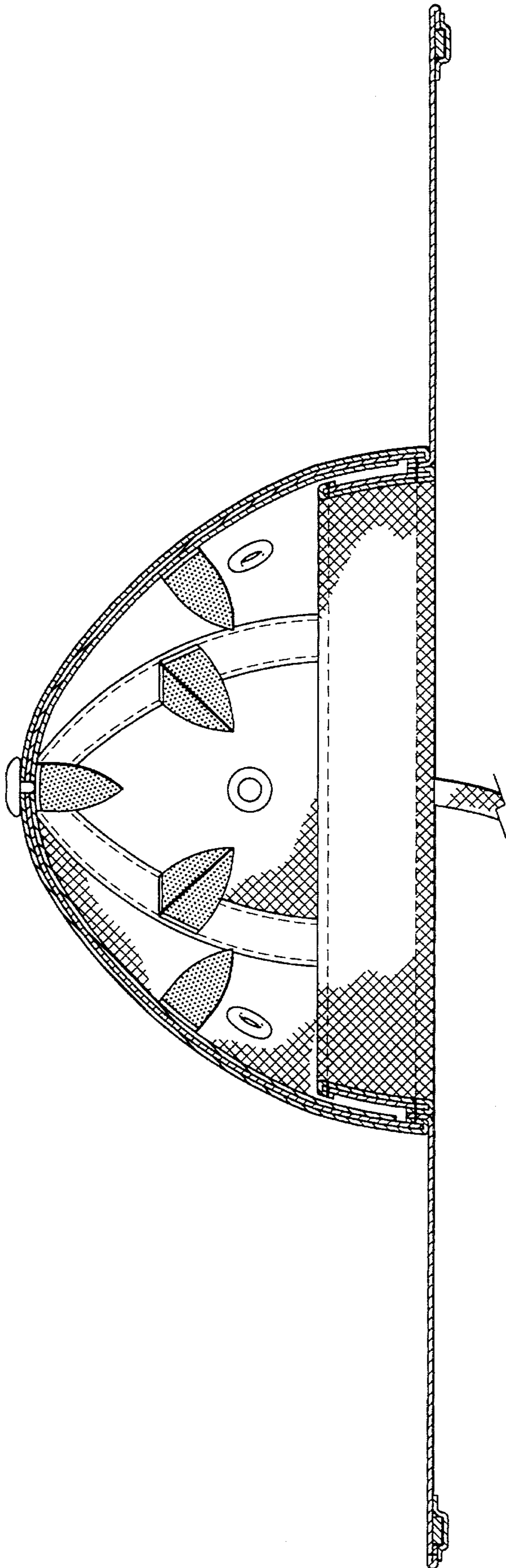


FIG. 5