



US00D372570S

# United States Patent [19]

[11] Patent Number: **Des. 372,570**

**Dokos**

[45] Date of Patent: **\*\*Aug. 6, 1996**

[54] **GRAVITATIONALLY-FED CLEANING MOP FOR FLOORS, AND WALLS**

*Attorney, Agent, or Firm*—Gary D. E. Pierce; Berne S. Broadbent; A. John Pate

[76] Inventor: **Gregory P. Dokos**, 243 East S. Temple #9, Salt Lake City, Utah 84111

[57] **CLAIM**

[\*\*] Term: **14 Years**

The ornamental design for a gravitationally-fed cleaning mop for floors and walls, as shown and described.

[21] Appl. No.: **32,621**

**DESCRIPTION**

[22] Filed: **Dec. 22, 1994**

[52] U.S. Cl. .... **D32/50**

[58] Field of Search ..... D32/46, 44, 50, D32/51, 52; 15/115, 116.1, 116.2, 119.1, 119.2, 120.2, 147.150, 228, 229.5, 229.9; 401/136, 137, 138, 140

FIG. 1 is a perspective view of a gravitationally-fed cleaning mop for floors and walls showing a first preferred embodiment of my new design;

FIG. 2 is a right side elevational view of the embodiment of FIG. 1;

FIG. 3 is a left side elevational view of the embodiment of FIG. 1;

FIG. 4 is a front elevational view of the embodiment of FIG. 1;

FIG. 5 is a rear elevational view of the embodiment of FIG. 1;

FIG. 6 is a top plan view of the embodiment of FIG. 1;

FIG. 7 is a bottom plan view of the embodiment of FIG. 1;

FIG. 8 is a perspective view of a gravitationally-fed cleaning mop for floors, and walls showing a second preferred embodiment of my new design;

FIG. 9 is a rear elevational view of the embodiment of FIG. 8;

FIG. 10 is a bottom plan view of the embodiment of FIG. 8;

FIG. 11 is a top plan view of the embodiment of FIG. 8;

FIG. 12 is a side elevational view of the embodiment of FIG. 8; and,

FIG. 13 is a front elevational view of the embodiment of FIG. 8.

The broken line showing of a mop head in the FIG. is for illustrative purposes only and forms no part of the claimed design.

[56] **References Cited**

**U.S. PATENT DOCUMENTS**

1,049,797	1/1913	Aontt	.....	D32/50 X
2,073,170	3/1937	Pieper	.....	401/138
4,181,999	1/1980	Maust et al.	.....	15/119.2
5,050,530	9/1991	Studebaker et al.	.....	118/264

**OTHER PUBLICATIONS**

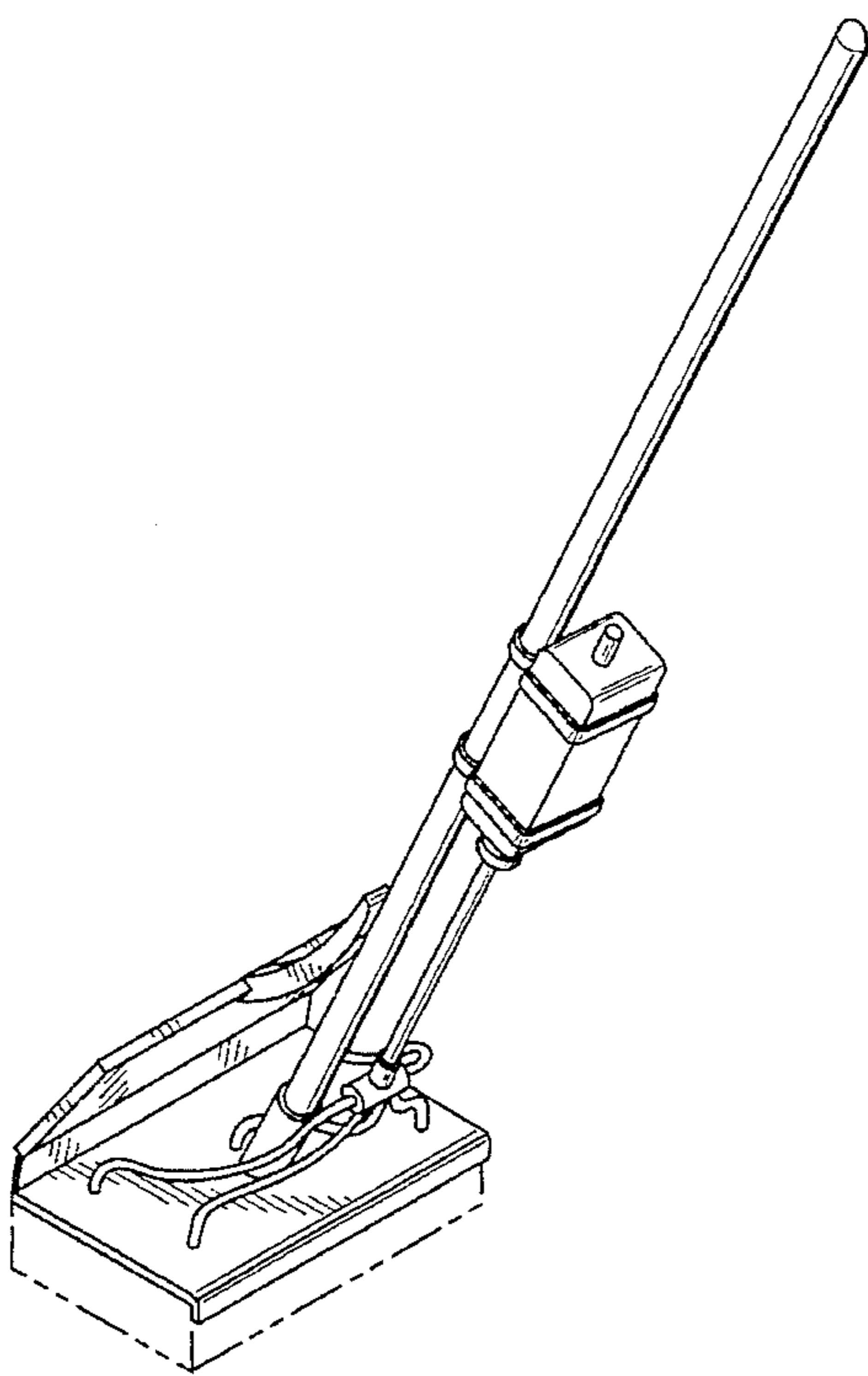
Advertisement literature for the Waxing Wand™ being manufactured by Paragon Mop Company, Charlotte, North Carolina 28216.

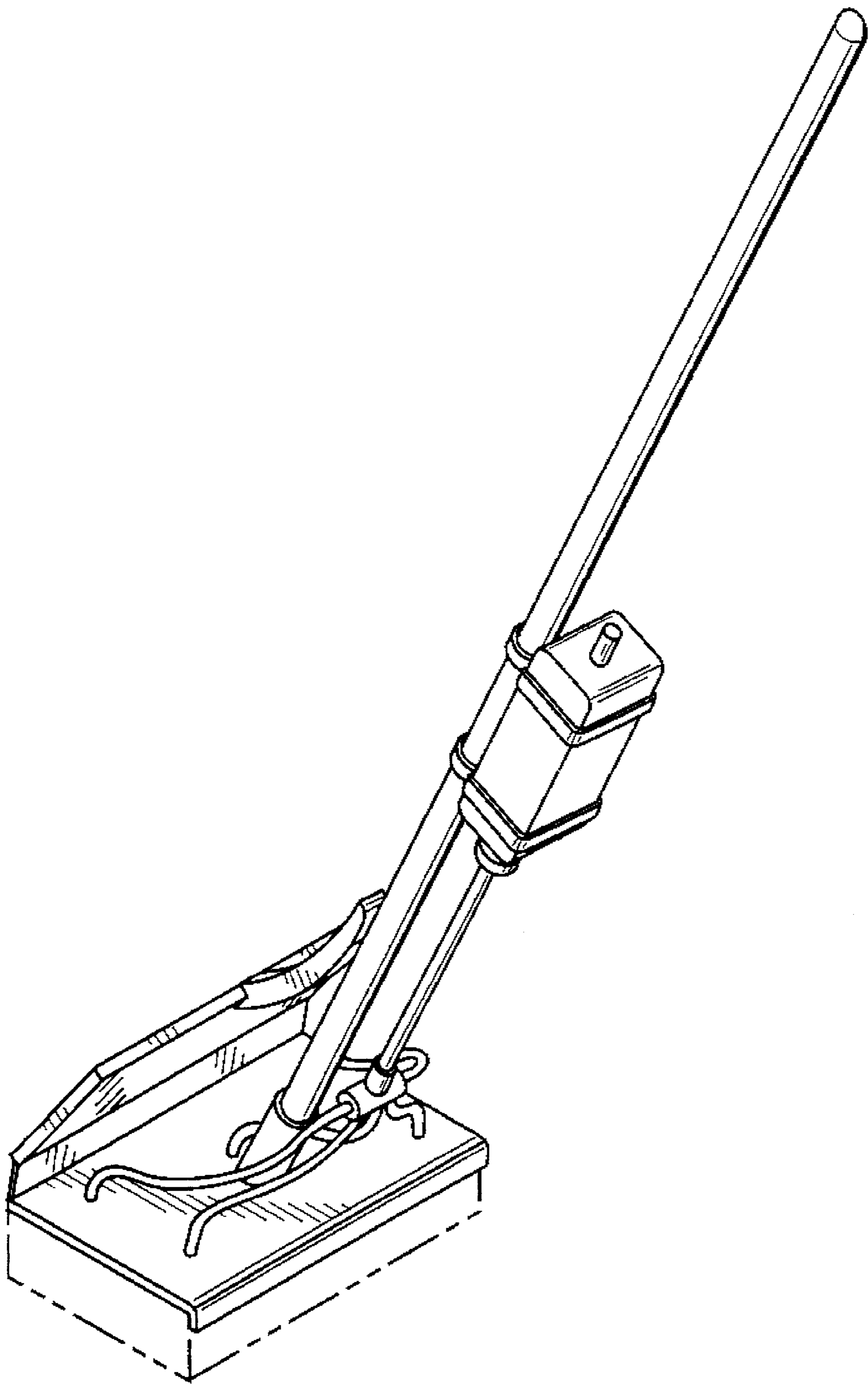
Advertisement literature for the Quick Finish™ being manufactured by Wilen Manufacturing Company, Inc., Atlanta, Georgia.

Advertisement literature for the Wax-O-Matic™ being manufactured by Wilen Manufacturing Company, Inc., Atlanta, Georgia.

*Primary Examiner*—A. Hugo Word  
*Assistant Examiner*—Cythia Ramiez

**1 Claim, 9 Drawing Sheets**





**Fig. 1**

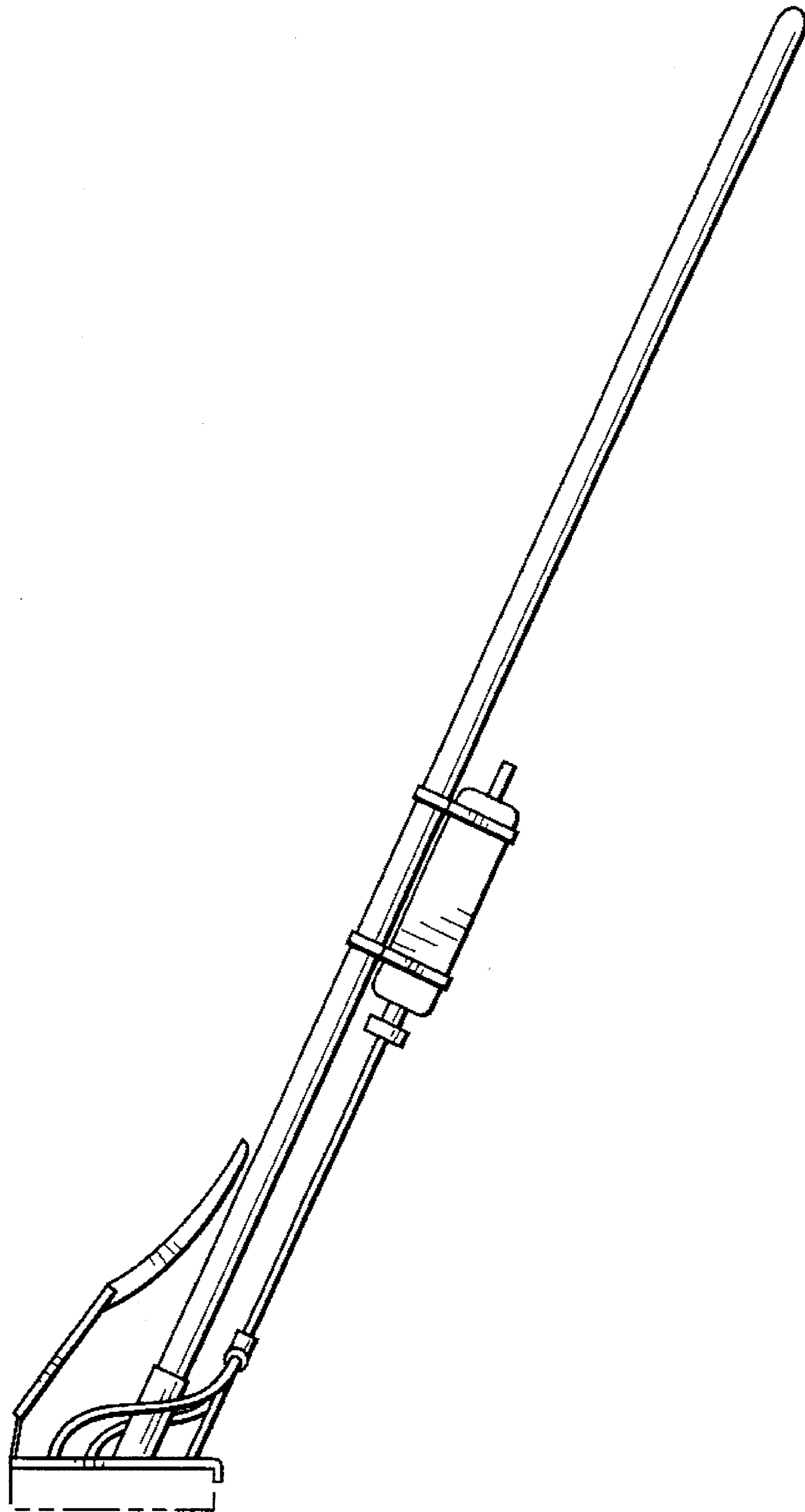
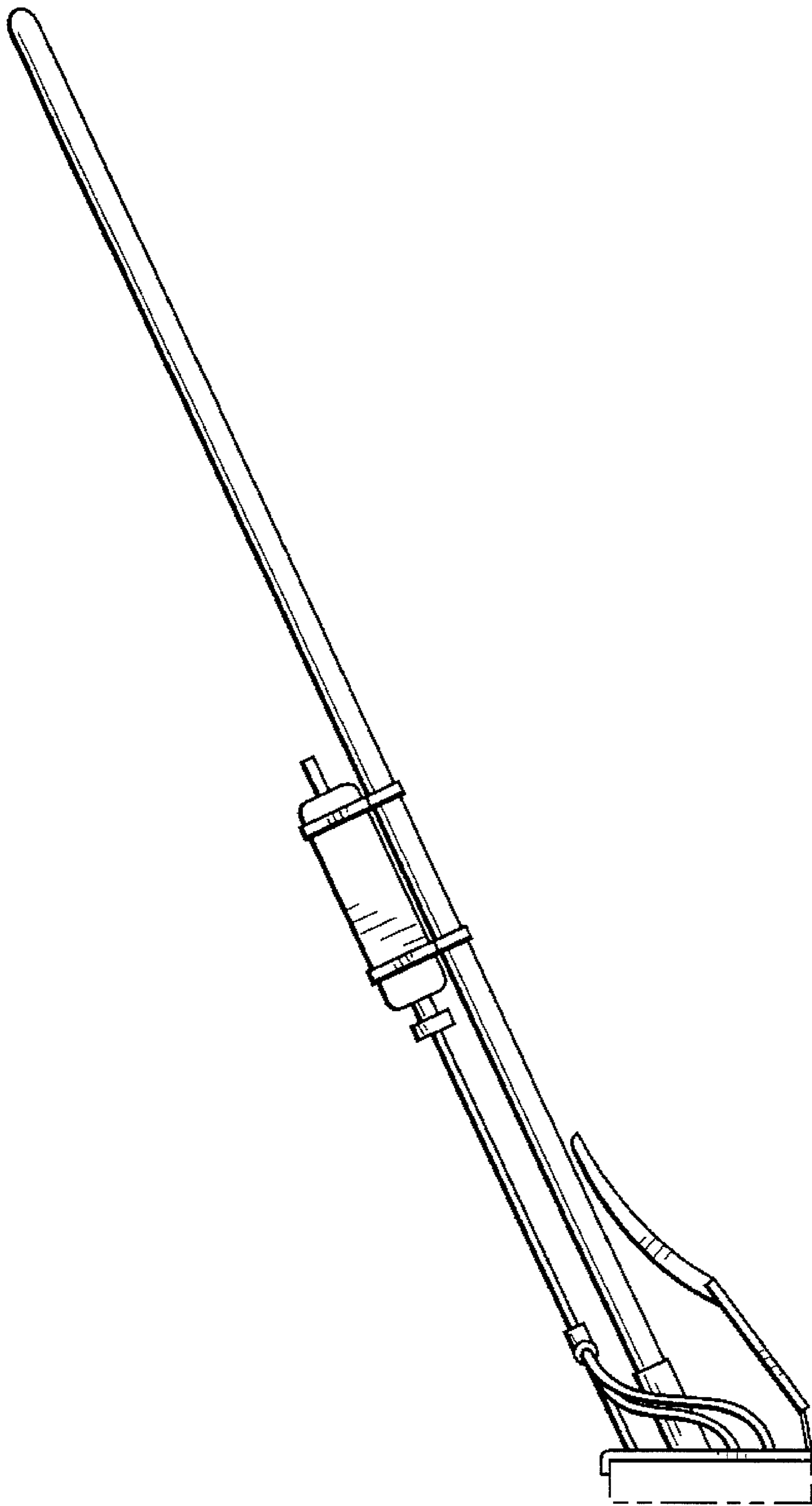
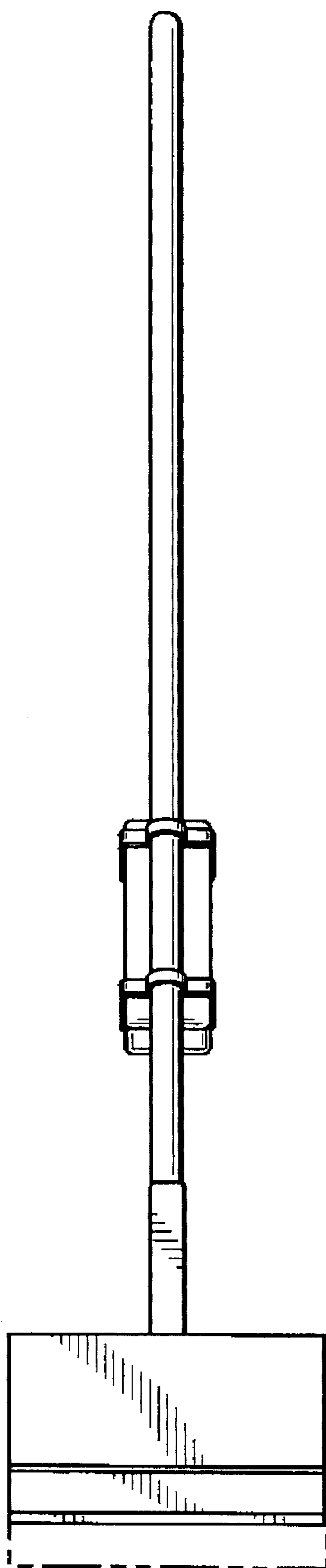


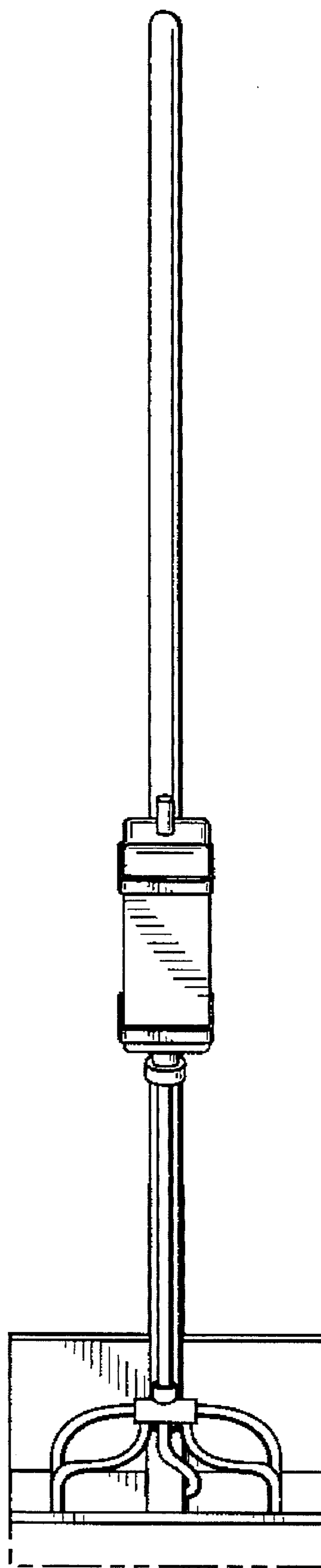
Fig. 2



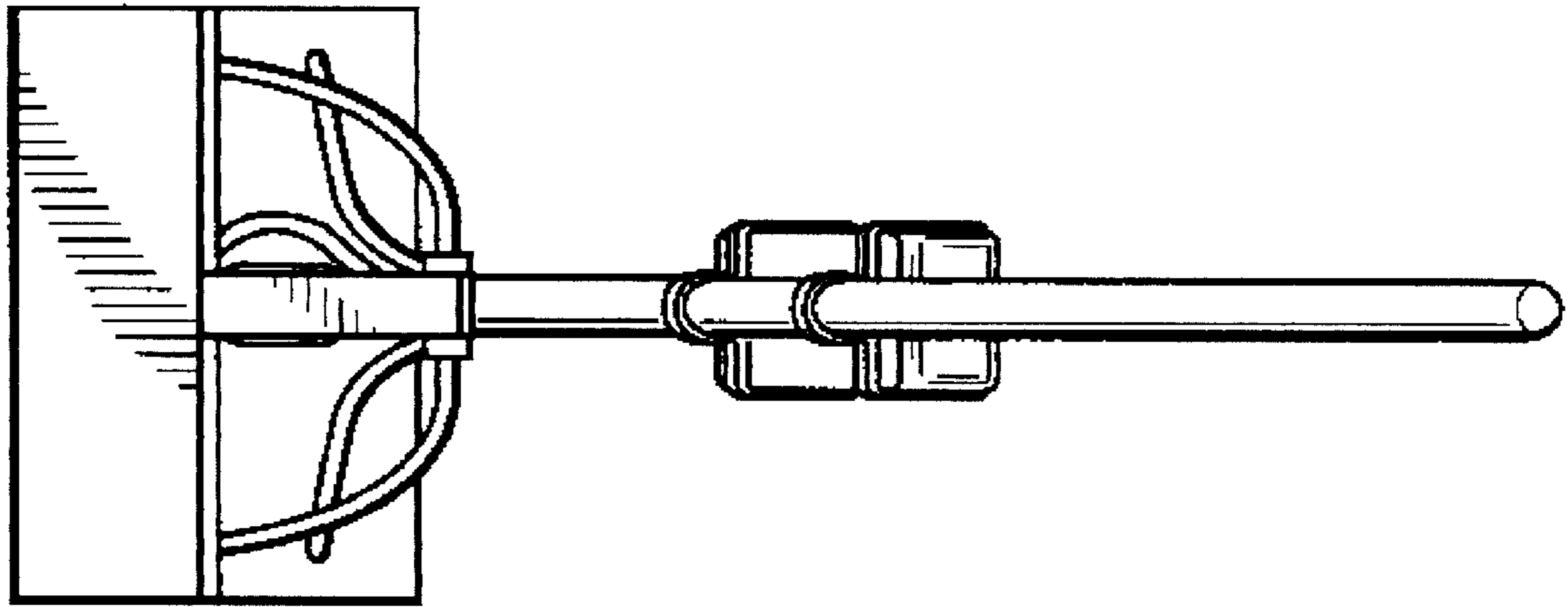
**Fig. 3**



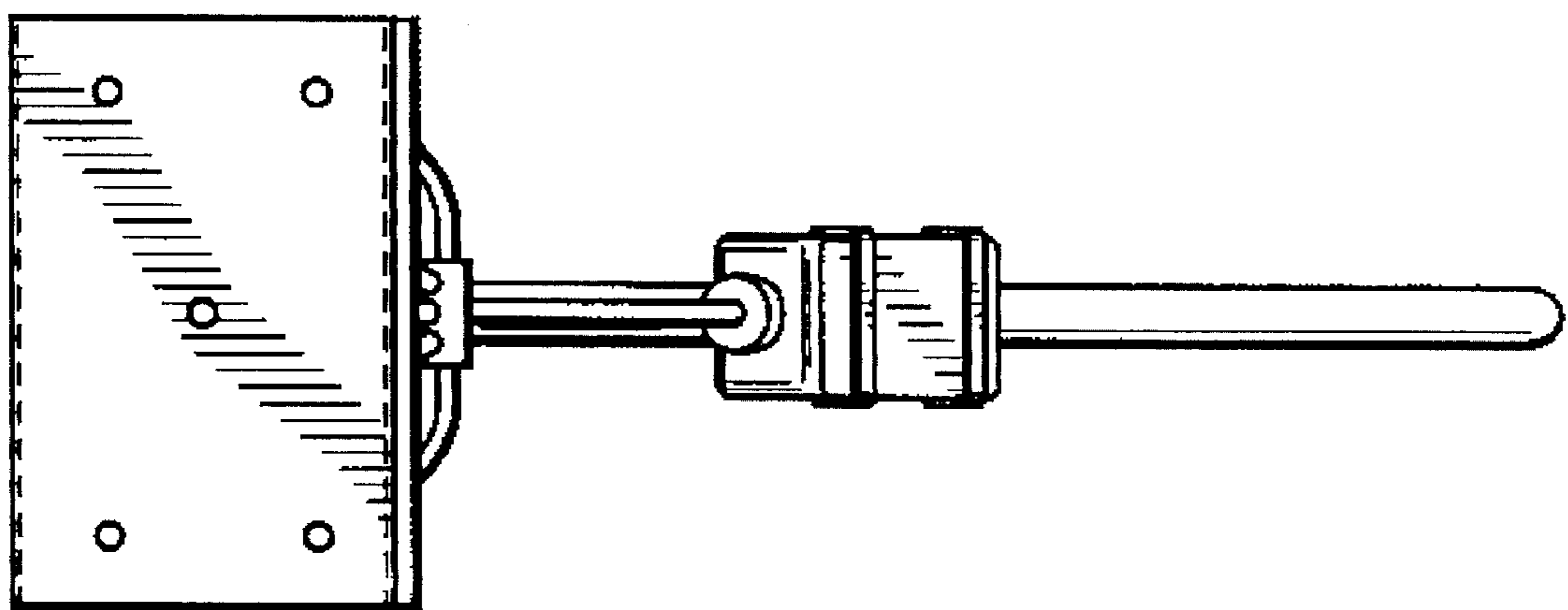
**Fig. 4**



**Fig. 5**

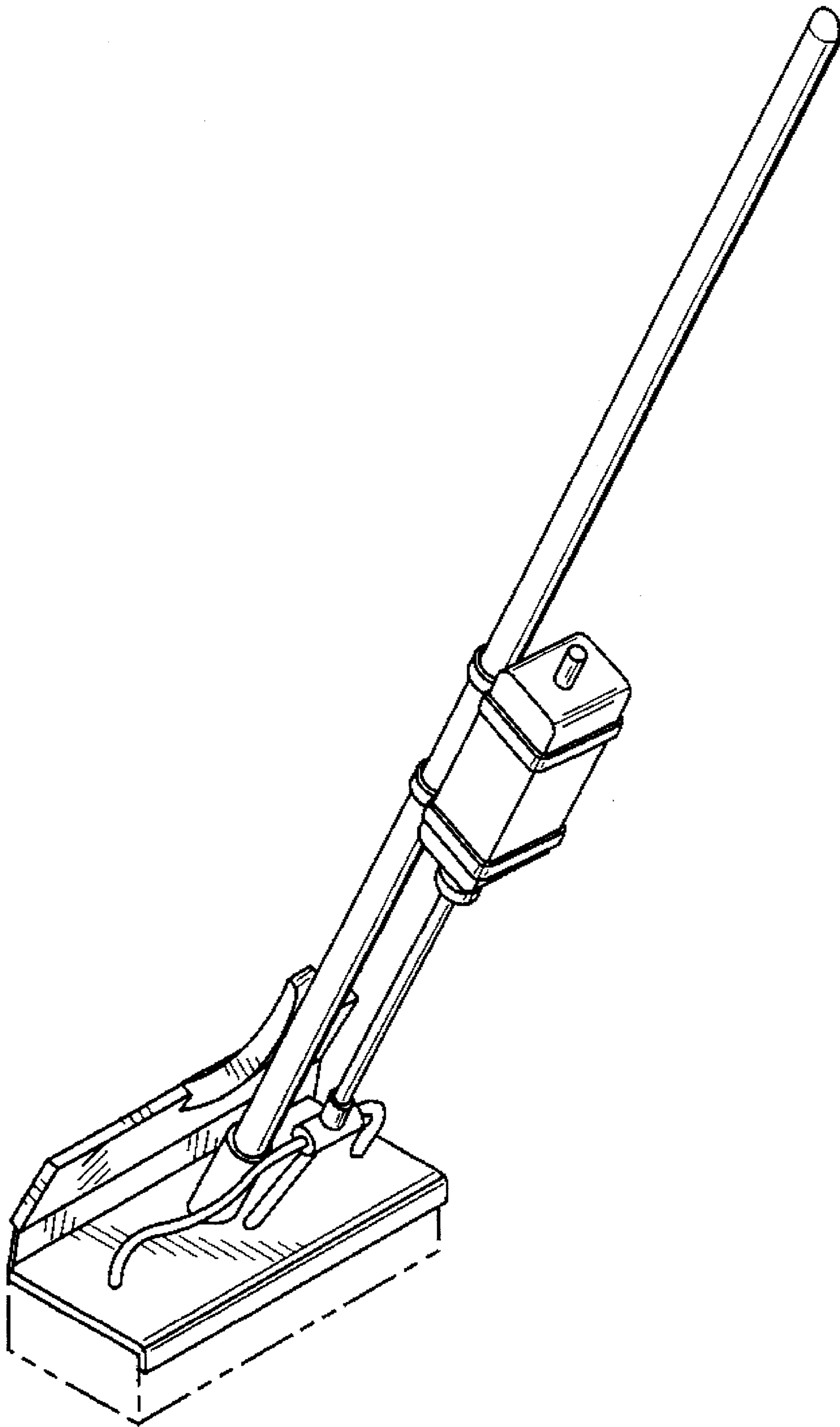


**Fig. 6**

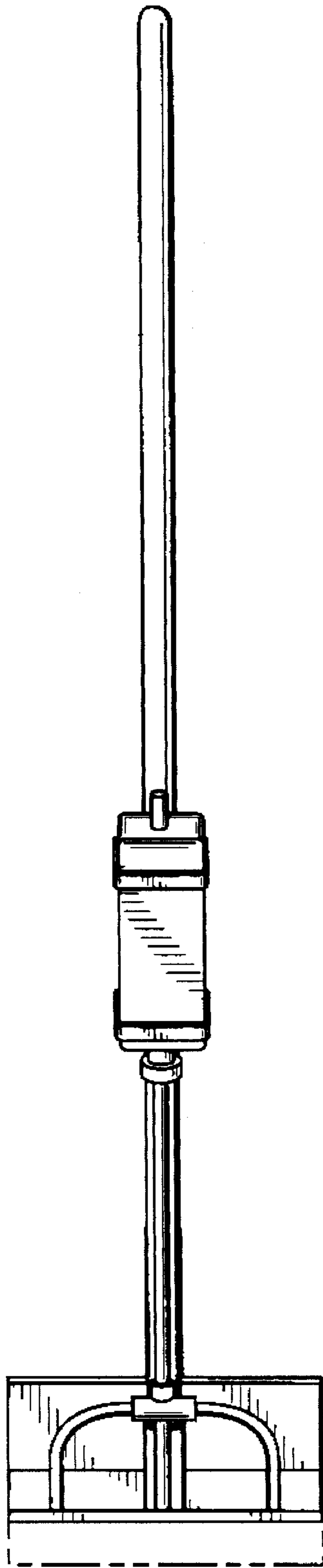


**Fig. 7**

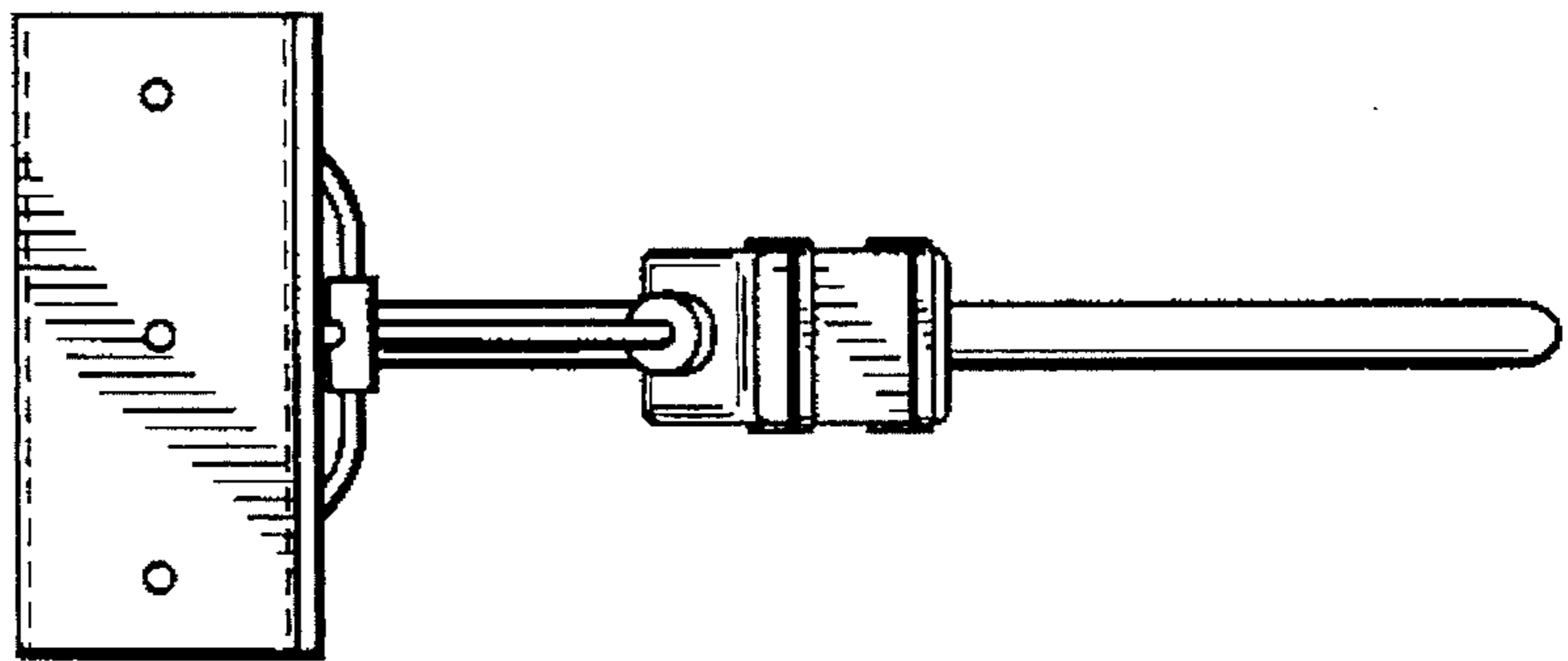




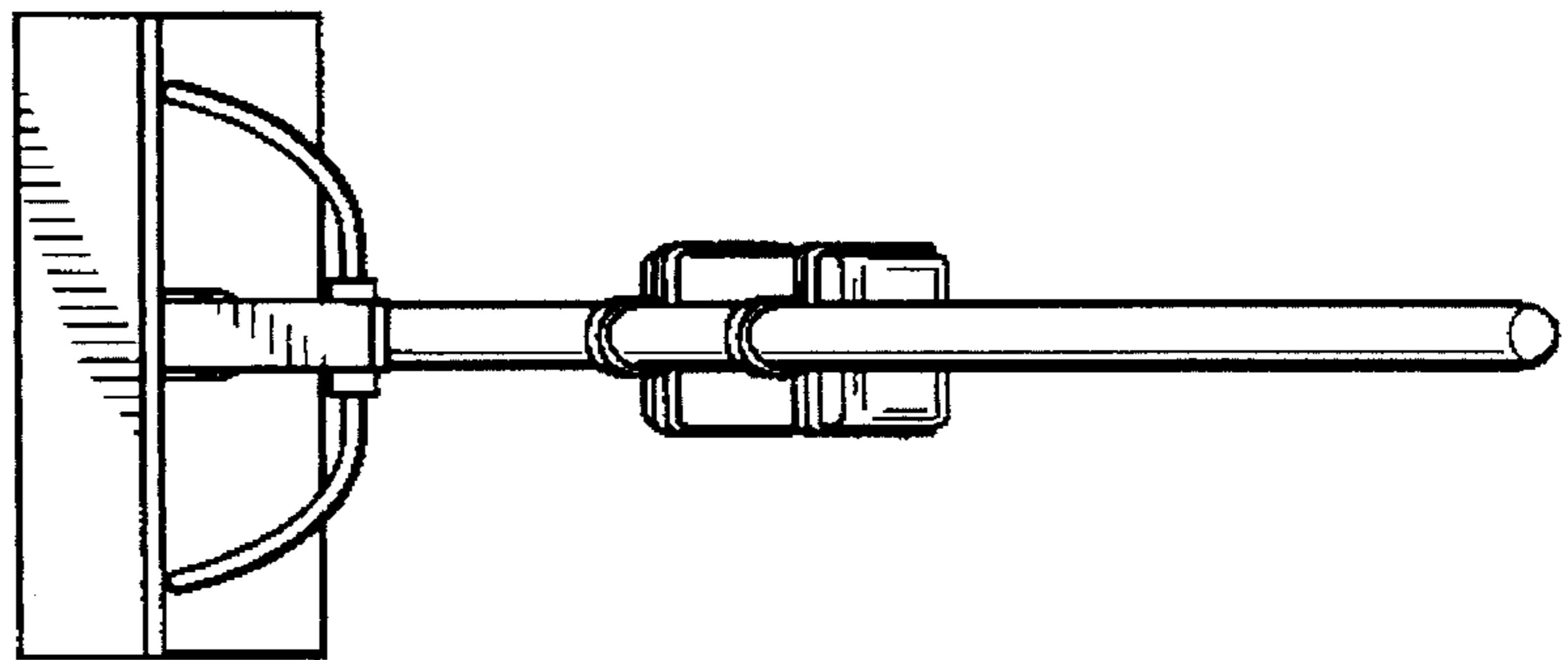
**Fig. 8**



**Fig. 9**



**Fig. 10**



**Fig. 11**



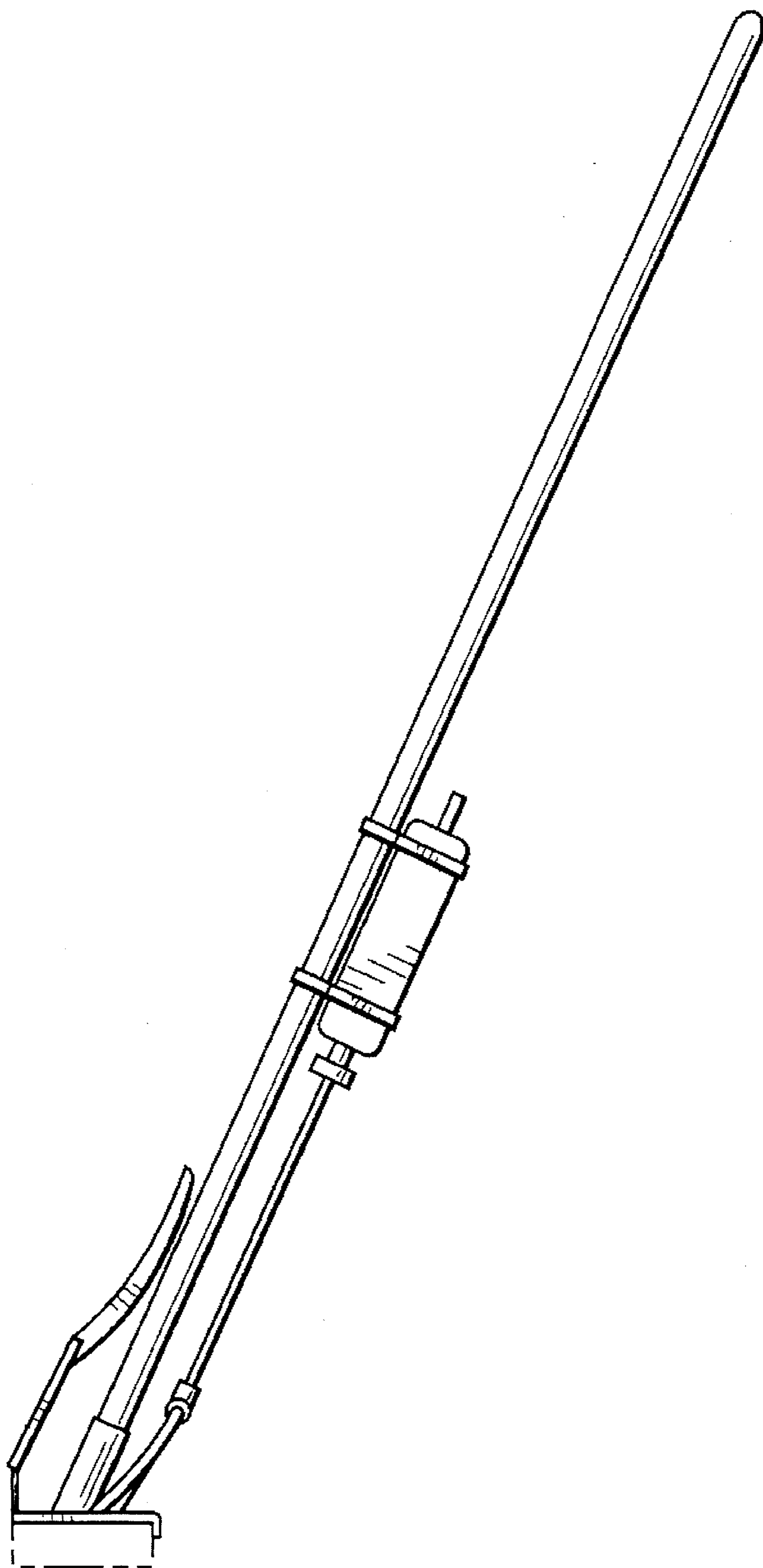
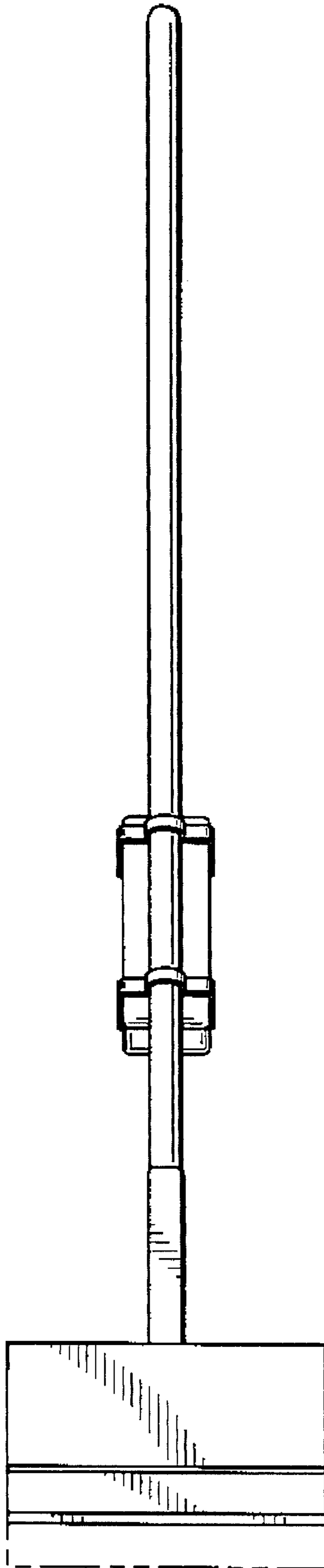


Fig. 12



**Fig. 13**