



US00D372567S

# United States Patent [19]

Moine et al.

[11] Patent Number: **Des. 372,567**

[45] Date of Patent: **\*\*Aug. 6, 1996**

[54] **COMBINED WET AND DRY VACUUM CLEANER**

[75] Inventors: **David W. Moine**, North Canton;  
**Darwin T. McKnight**, Louisville;  
**Ronald J. Stephens**, Rittman; **Richard A. Wareham**, North Canton, all of Ohio

[73] Assignee: **The Hoover Company**, North Canton, Ohio

[\*\*] Term: **14 Years**

[21] Appl. No.: **41,288**

[22] Filed: **Jul. 11, 1995**

### Related U.S. Application Data

[62] Division of Ser. No. 8,532, May 19, 1993, Pat. No. Des. 361,179.

[52] U.S. Cl. .... **D32/23**

[58] Field of Search ..... D32/21, 23-24;  
15/320, 321, 323, 327.1-327.7, 353, 246.5

### [56] References Cited

#### U.S. PATENT DOCUMENTS

- D. 208,398 8/1967 Otto et al. .... D32/16
- D. 255,357 6/1980 Brooks et al. .... D32/23
- D. 261,515 10/1981 Schaefer et al. .... D32/23

- D. 280,768 9/1985 Ferraris et al. .... D32/23
- D. 324,930 3/1992 Pino ..... D32/23
- D. 334,376 2/1994 Worwag ..... D32/23
- D. 338,294 8/1993 Kohler ..... D32/23

### OTHER PUBLICATIONS

Montgomery Ward Cat, Fall & Winter 1975, p. 695. "Wet/Dry Vacuum Cleaners".

Best Products Cat, 1981/82, p. 199. "Items 5-7 Vac. Cleaners".

Sears 1983, Spring & Summer, p. 839. "Items 4-5 Wet-Dry Vac. Cleaners".

*Primary Examiner*—Ruth McInroy

*Attorney, Agent, or Firm*—A. Burgess Lowe

### [57] CLAIM

The ornamental design for a combined wet and dry vacuum cleaner, as shown and described.

### DESCRIPTION

FIG. 1 is a front elevational view of a combined wet and dry vacuum cleaner showing our new design;

FIG. 2 is a left side elevational view thereof;

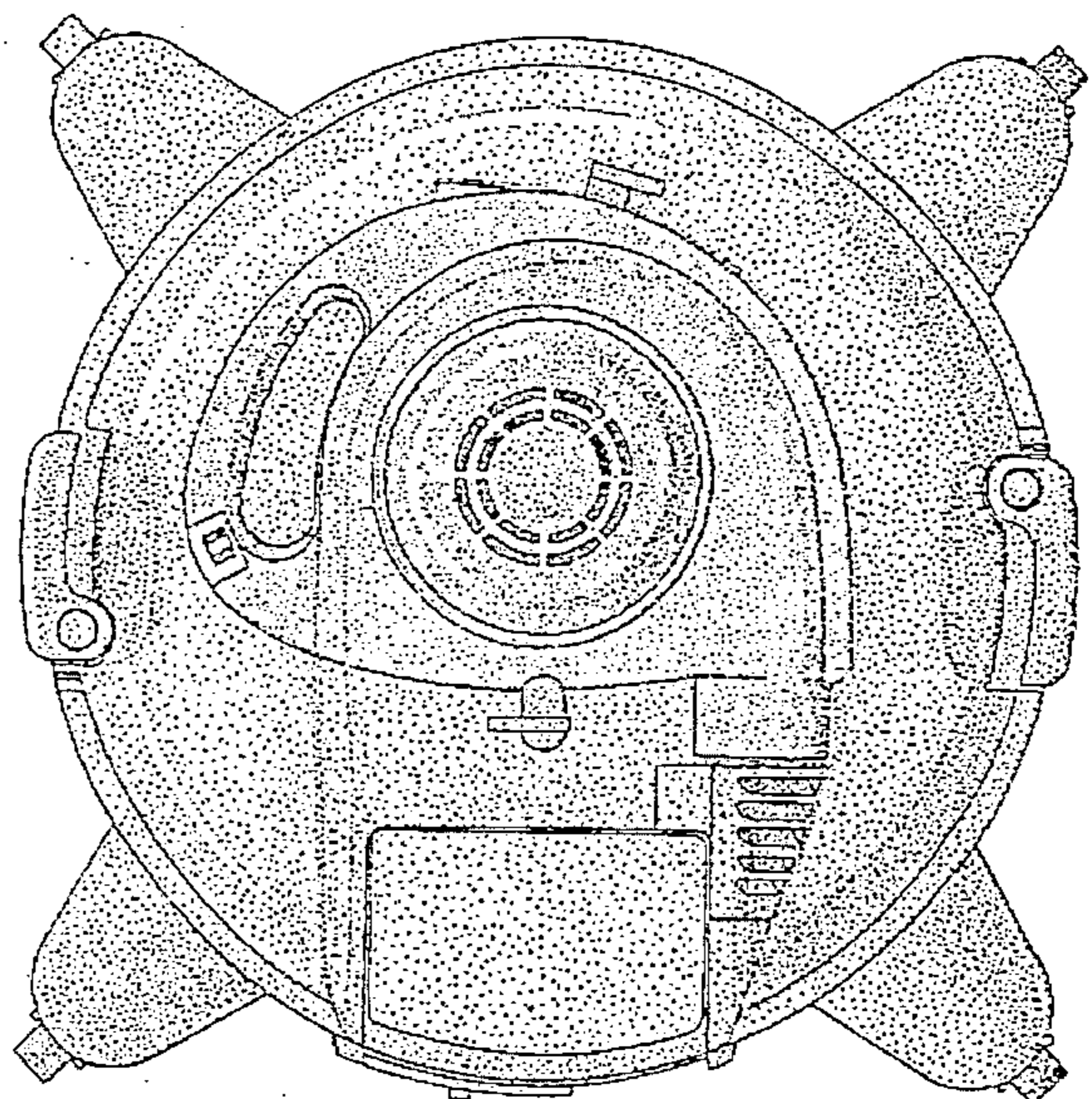
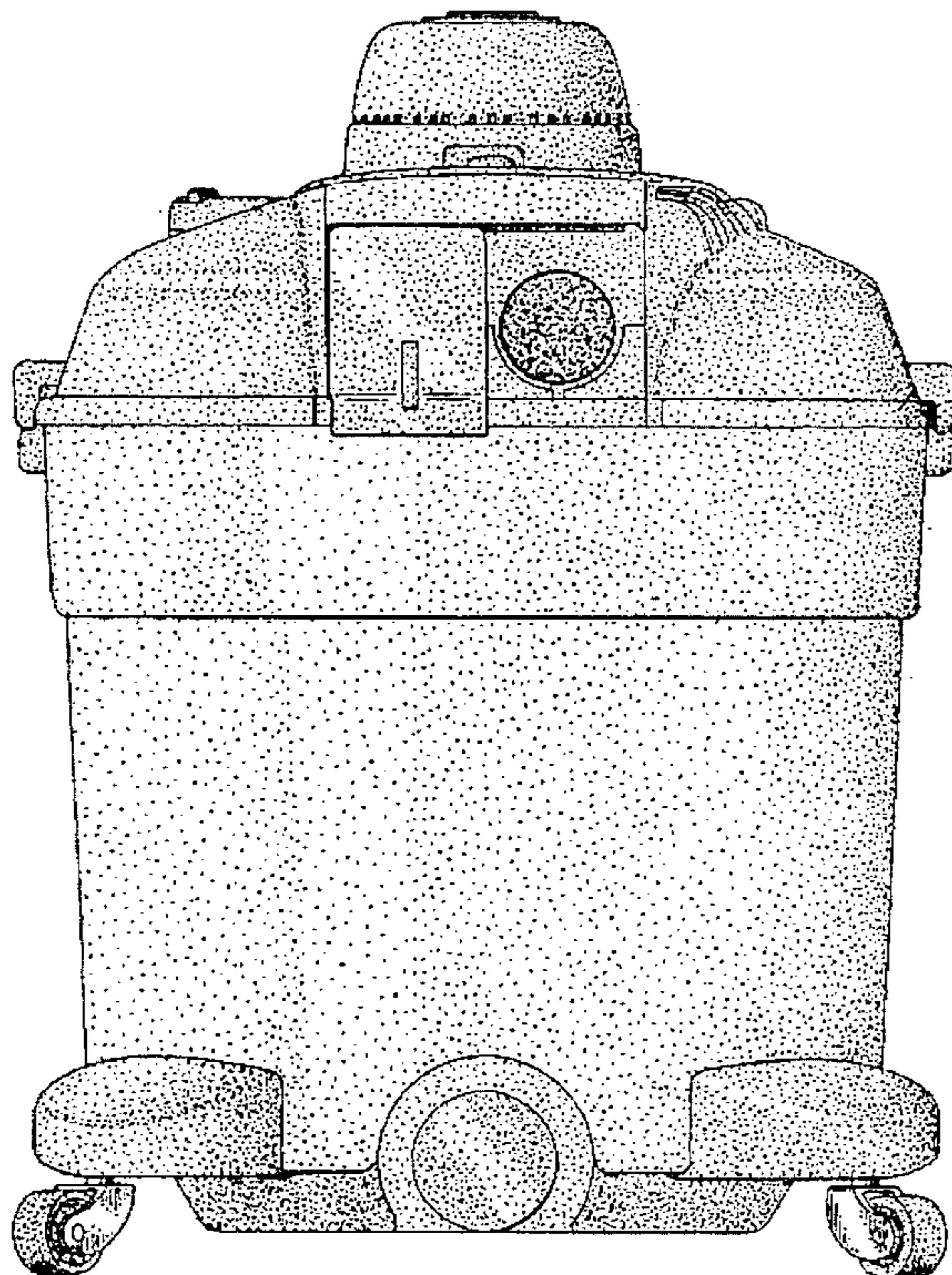
FIG. 3 is a top plan view thereof;

FIG. 4 is a bottom plan view thereof;

FIG. 5 is a rear elevational view thereof; and,

FIG. 6 is a right side elevational view thereof.

**1 Claim, 5 Drawing Sheets**



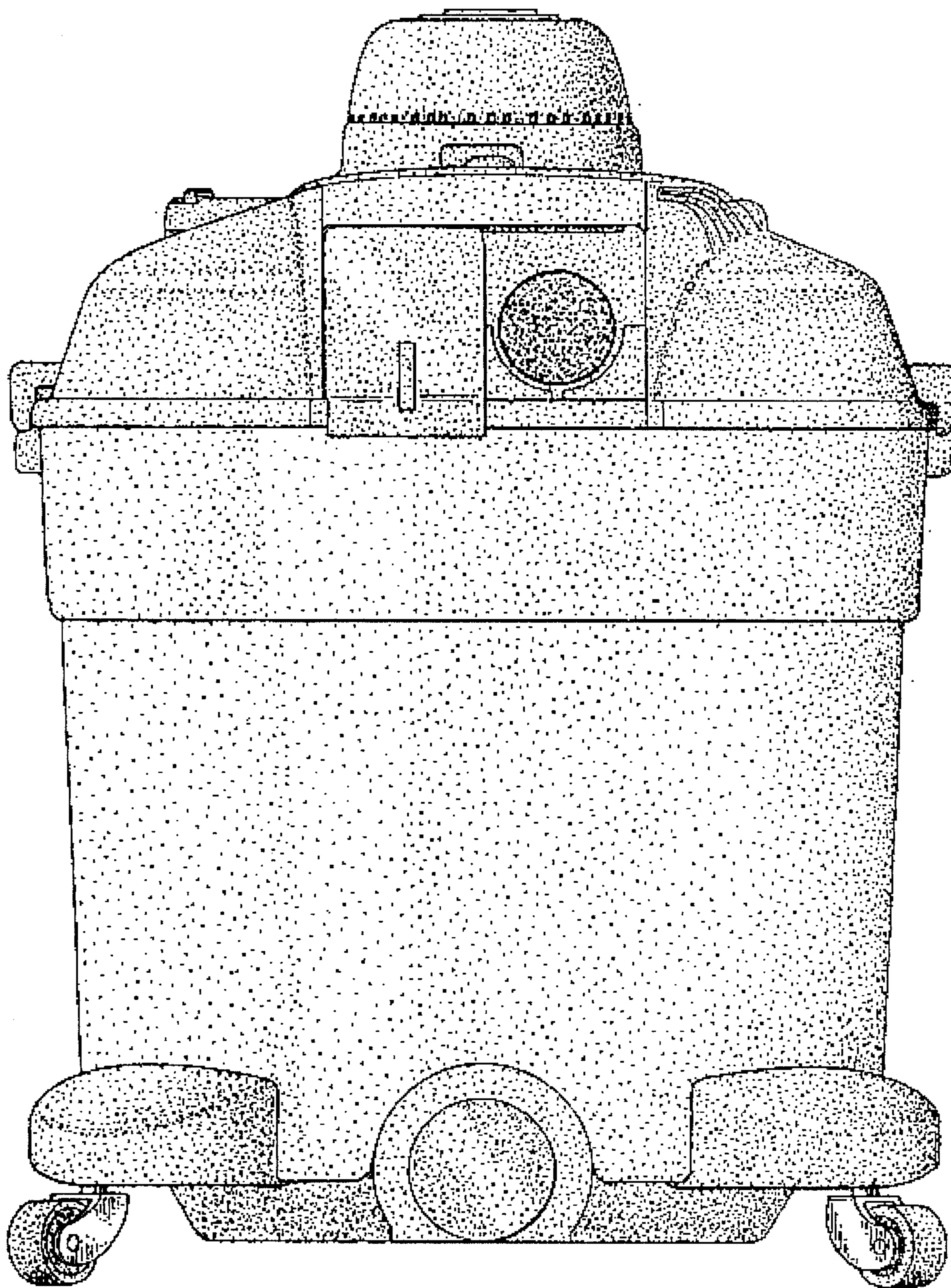


FIG. - 1

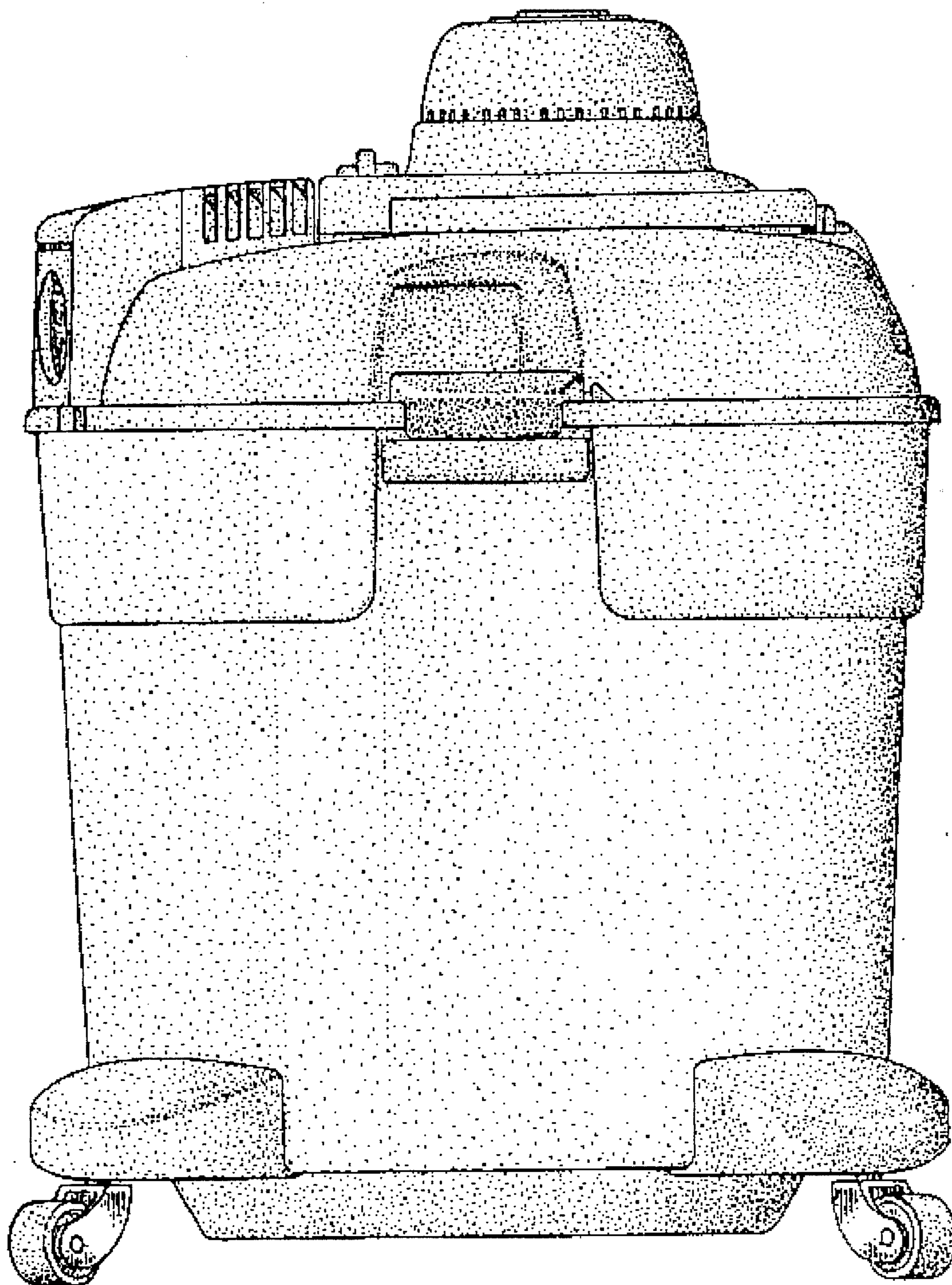


FIG.-2

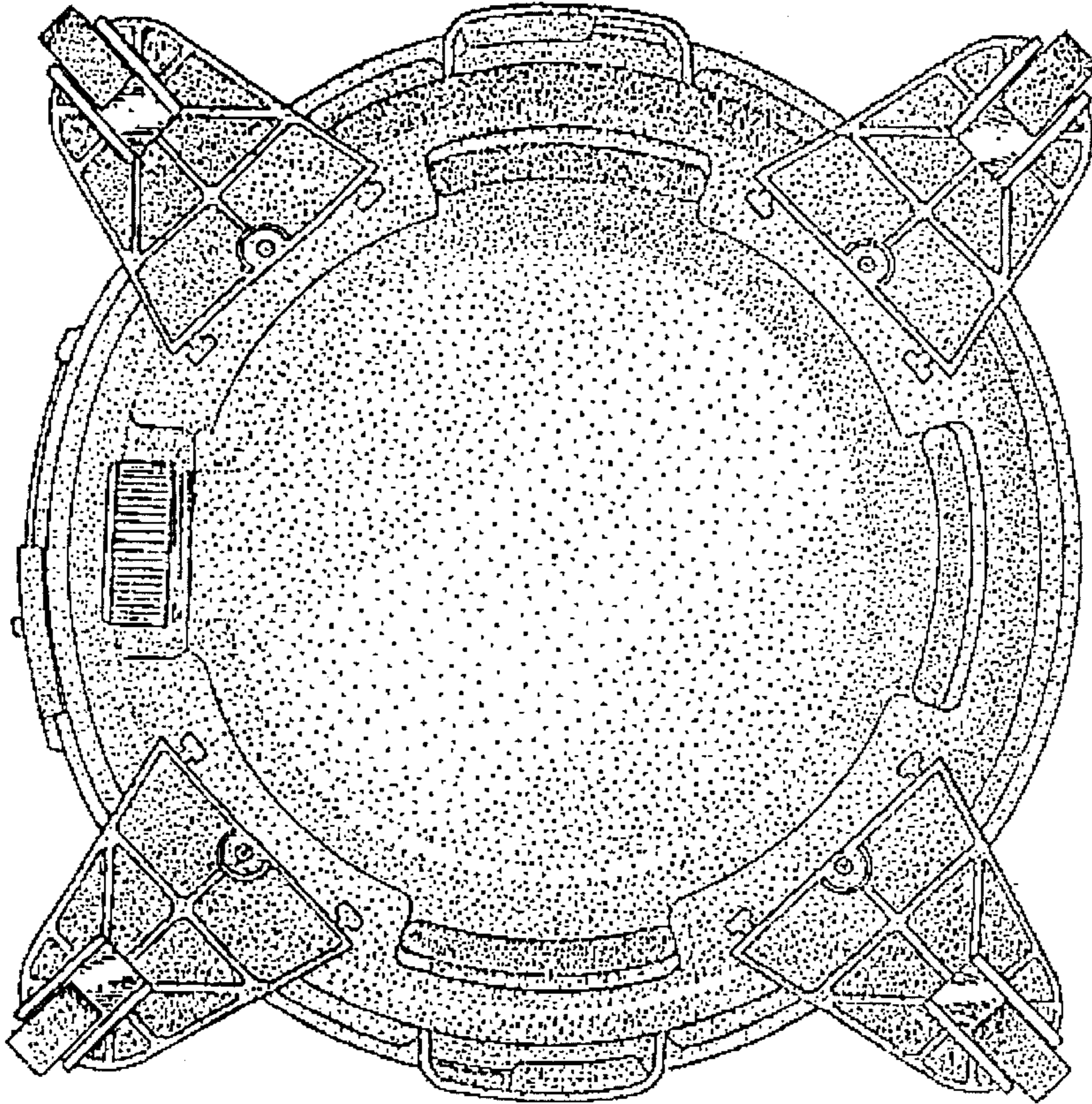


FIG. - 4

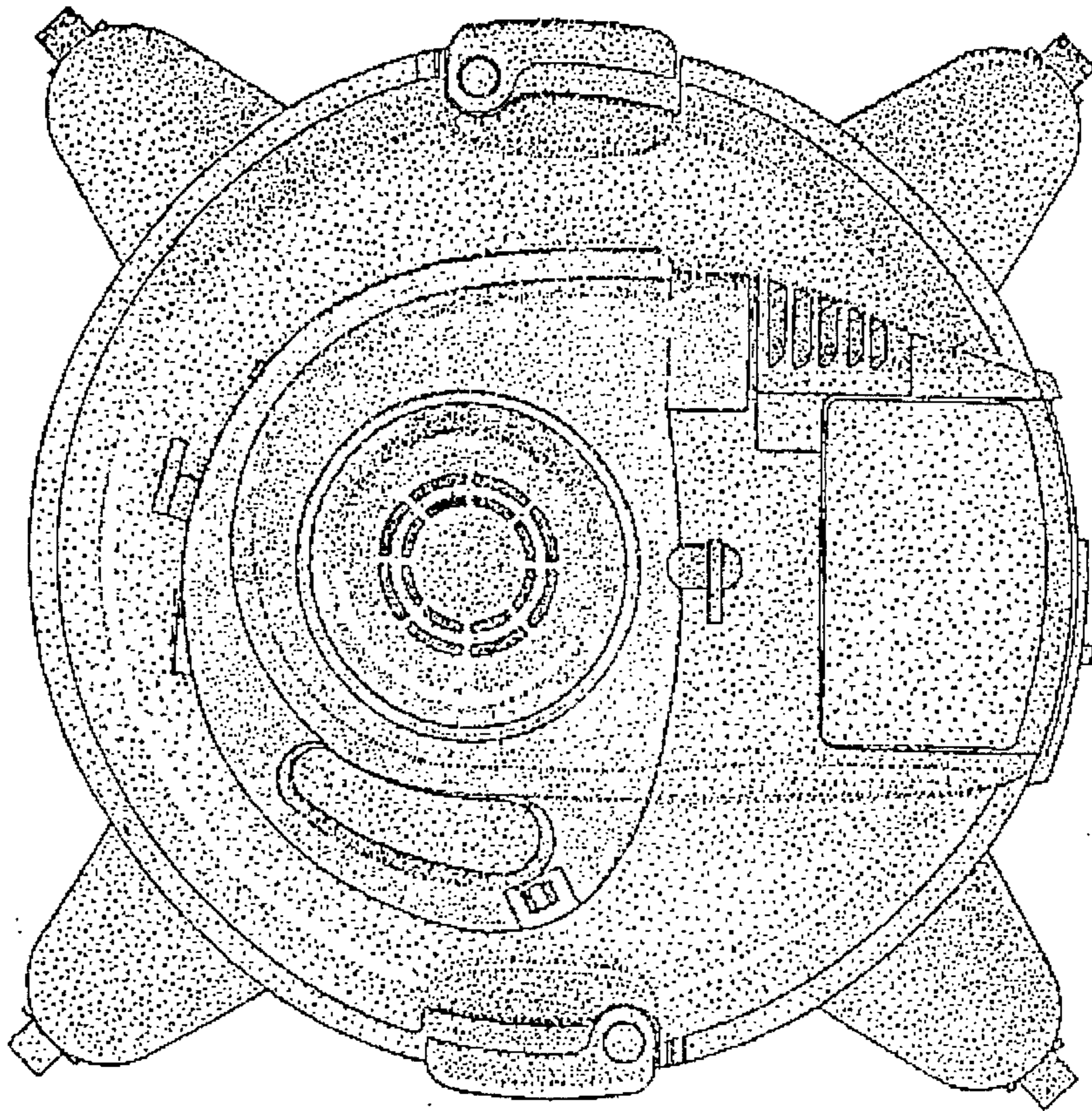


FIG. - 3

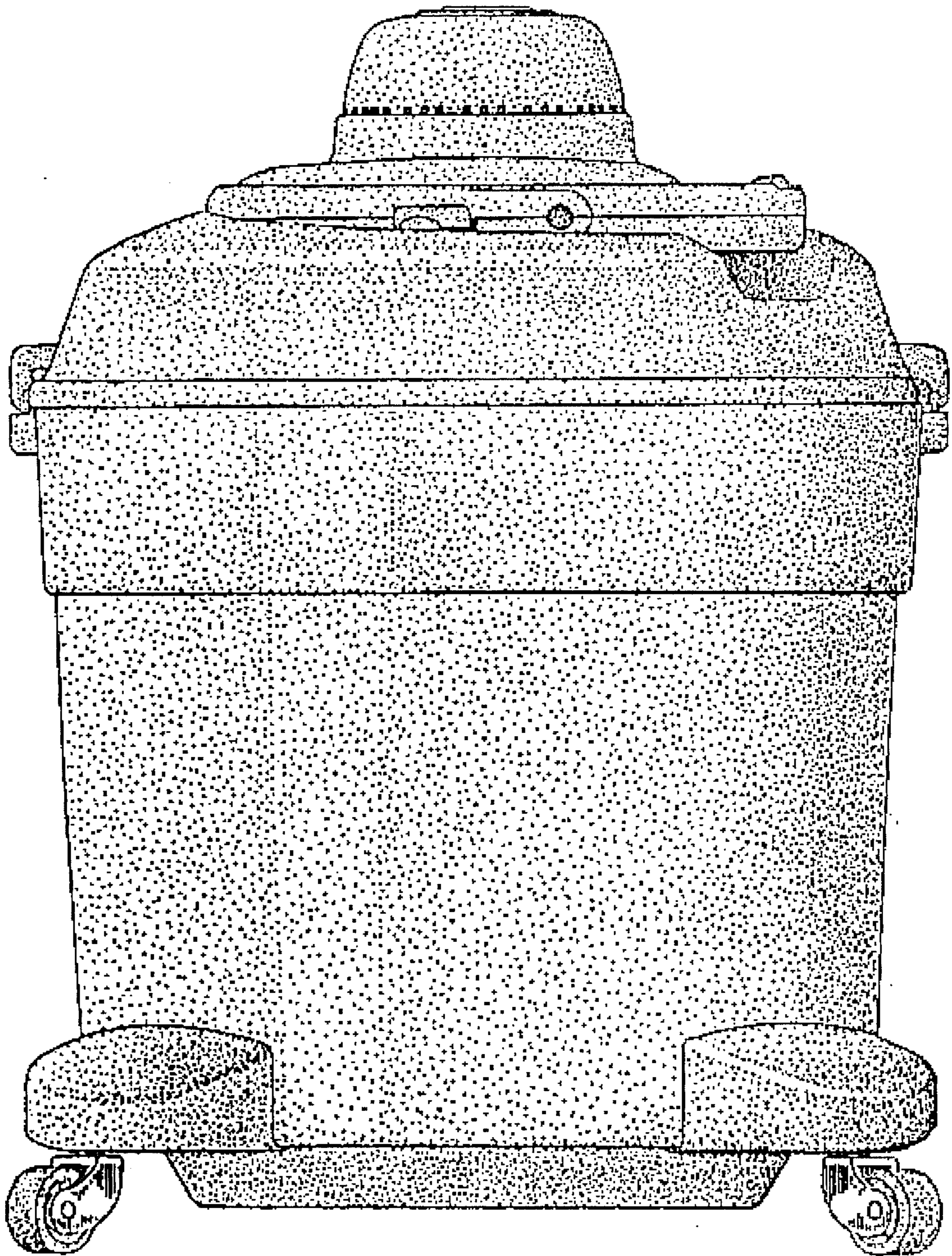


FIG. - 5

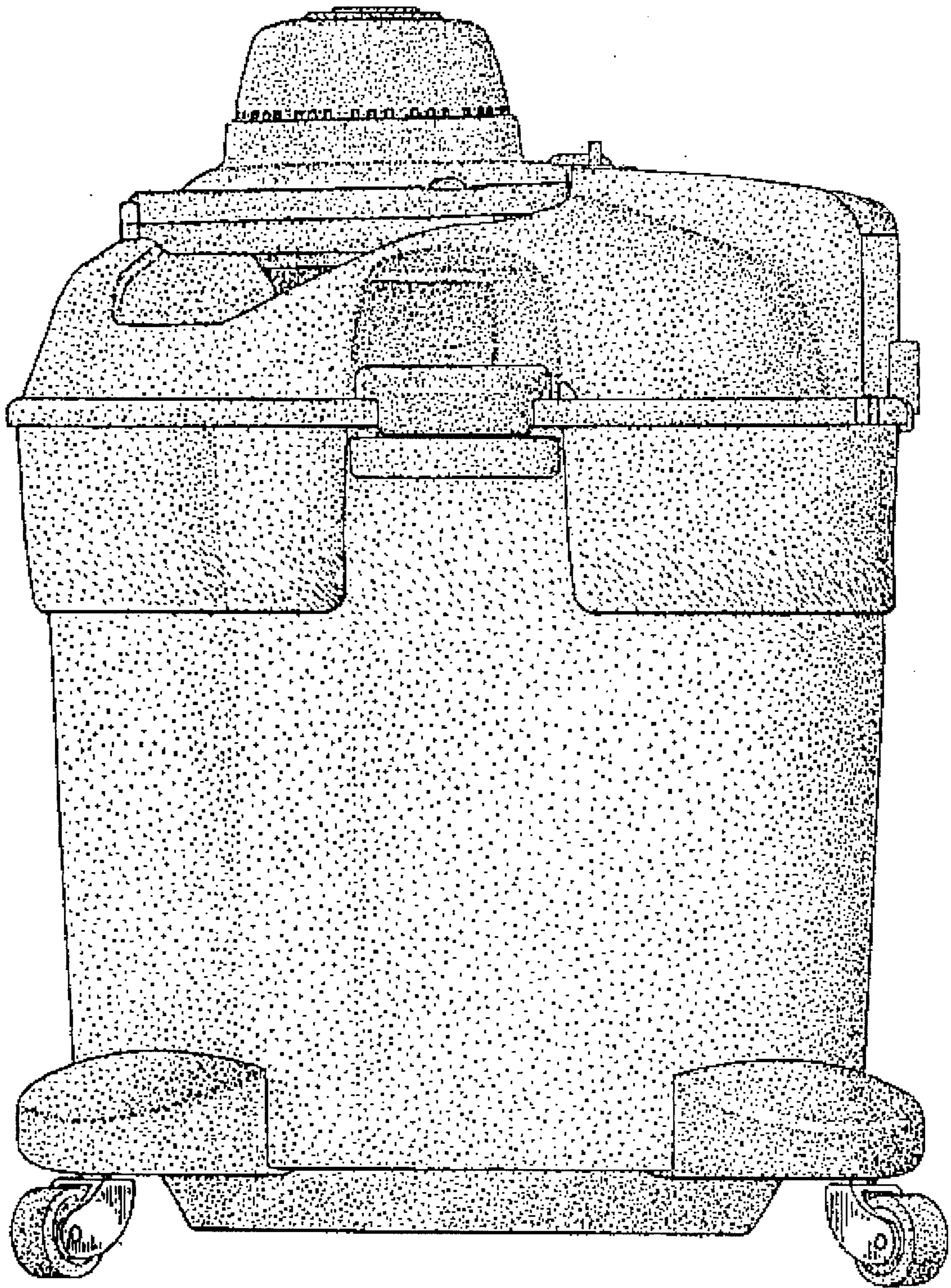


FIG. - 6