



US00D372565S

United States Patent [19]
Rice

[11] **Patent Number: Des. 372,565**

[45] **Date of Patent: **Aug. 6, 1996**

[54] **DISPOSABLE CAT LITTER BOX**
[76] Inventor: **David A. Rice**, P.O. Box 1270, Candler,
N.C. 28715

[**] Term: **14 Years**

[21] Appl. No.: **40,554**

[22] Filed: **Jun. 21, 1995**

[52] U.S. Cl. **D30/161**

[58] **Field of Search** D30/118, 161;
D9/424, 425, 432; 119/19, 165, 166, 167,
168, 28.5; D3/314, 304

4,846,103 7/1989 Brown 119/168
5,035,205 7/1991 Schiller et al. D30/161
5,209,392 5/1993 Anatro 229/117.01

FOREIGN PATENT DOCUMENTS

1284902 1/1987 U.S.S.R. 119/15

Primary Examiner—Louis S. Zarfaz
Assistant Examiner—Gregory Andoll
Attorney, Agent, or Firm—Carter & Schnedler

[57] **CLAIM**

The ornamental design for a disposable cat litter box, as shown.

DESCRIPTION

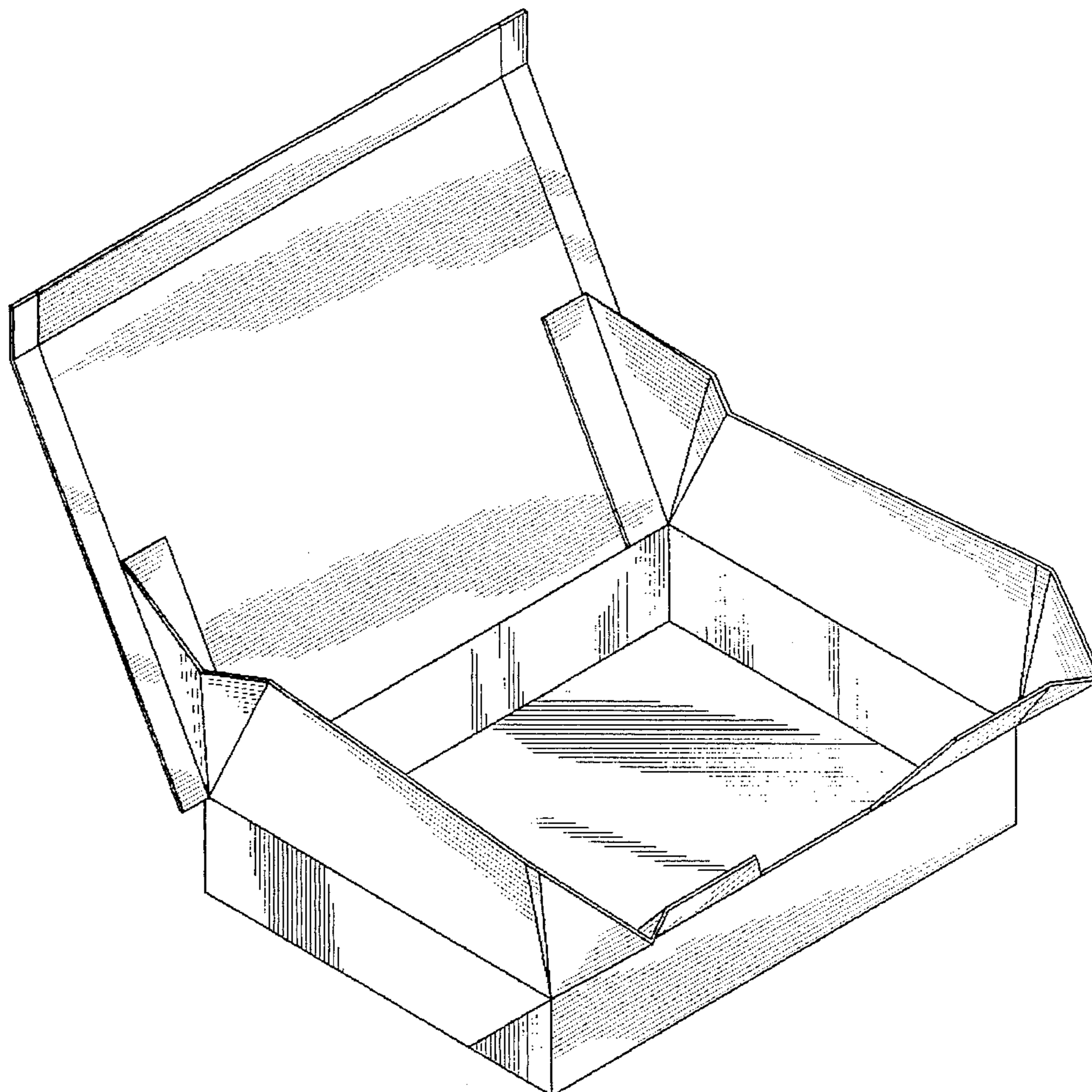
FIG. 1 is a perspective view of a disposable cat litter box showing my new design with the top open; FIG. 2 is a front elevational view thereof; FIG. 3 is a rear elevational view thereof; FIG. 4 is a left side elevational view thereof; FIG. 5 is a right side elevational view thereof; FIG. 6 is a top plan view thereof; FIG. 7 is a bottom plan view thereof; and, FIG. 8 is a front prospective view thereof showing the disposable cat litter box with the top closed.

1 Claim, 5 Drawing Sheets

[56] **References Cited**

U.S. PATENT DOCUMENTS

D. 339,063	9/1993	Simon	D9/432
D. 340,323	10/1993	Wagner	D30/118
380,861	4/1880	Collins	119/19 X
1,666,294	4/1928	Downes-Martin	D30/161
2,025,310	12/1935	Schaefer	119/19
3,211,359	10/1965	Fickes	D9/432
3,250,455	5/1966	Plunckett	D9/432
4,548,160	10/1985	Feitelson	119/168
4,628,863	12/1986	Eichenauer	119/168
4,782,788	11/1988	Arcand	119/168
4,807,563	2/1989	Berry et al.	D30/161



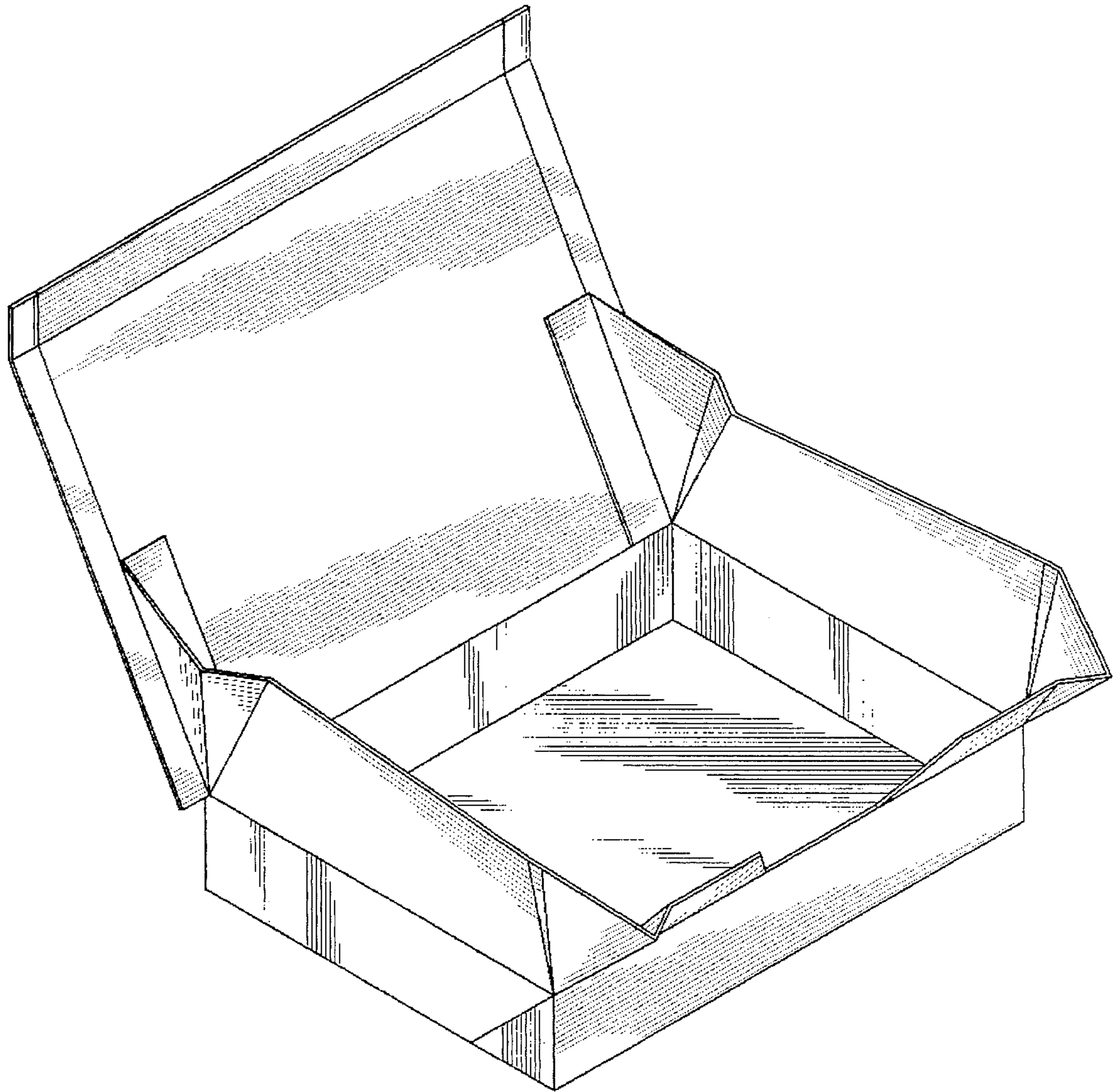


FIG. 1

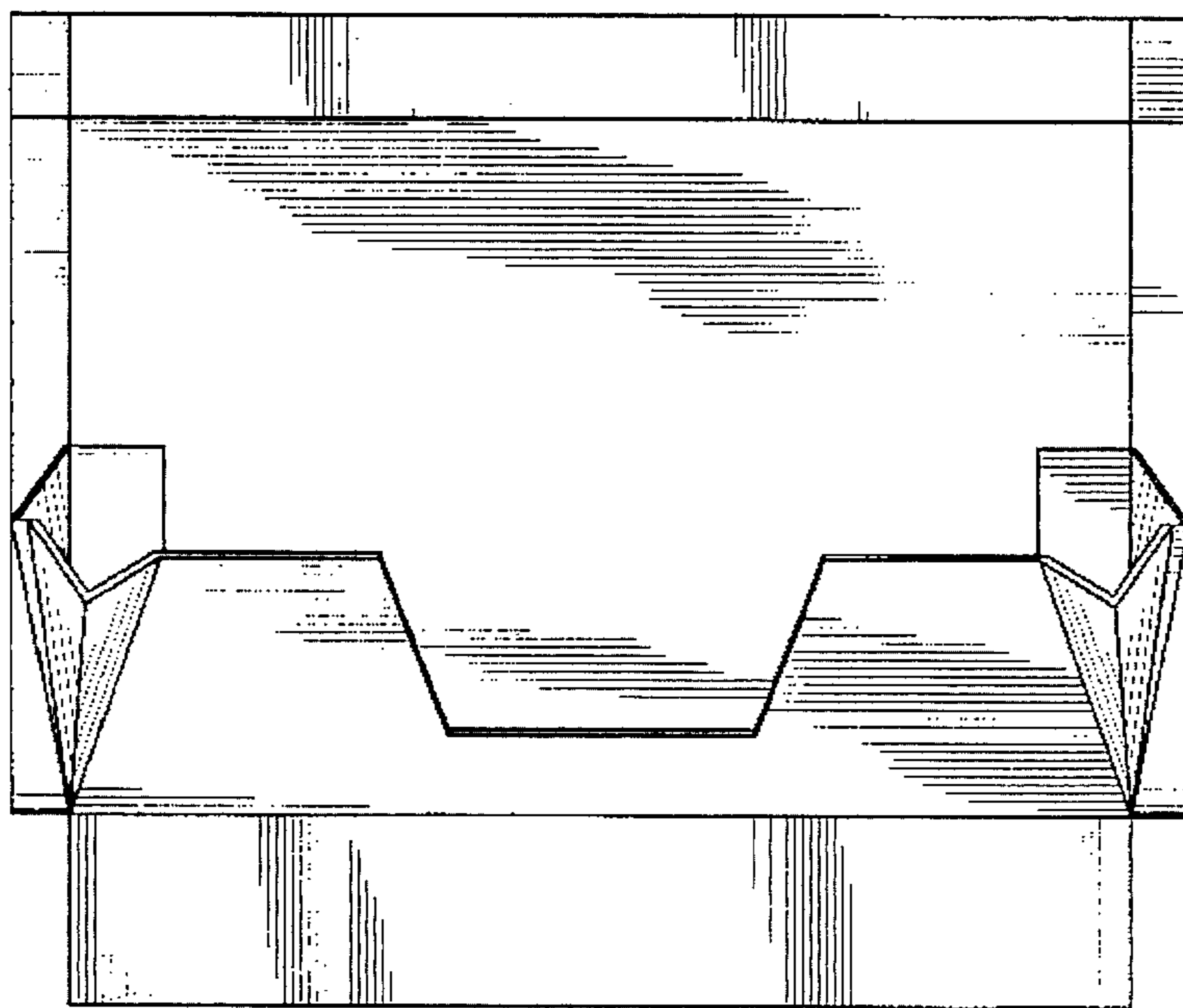


FIG. 2

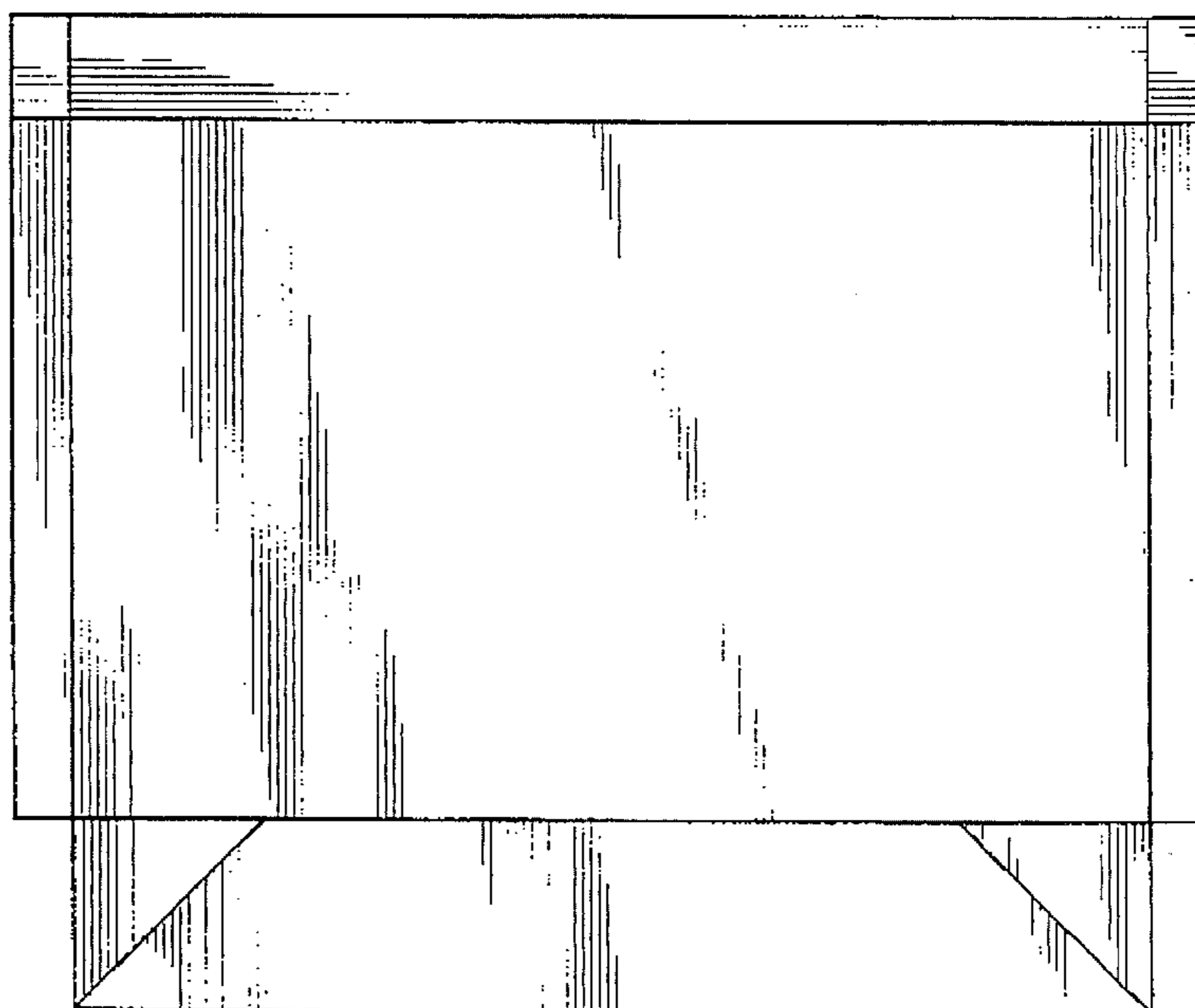


FIG. 3

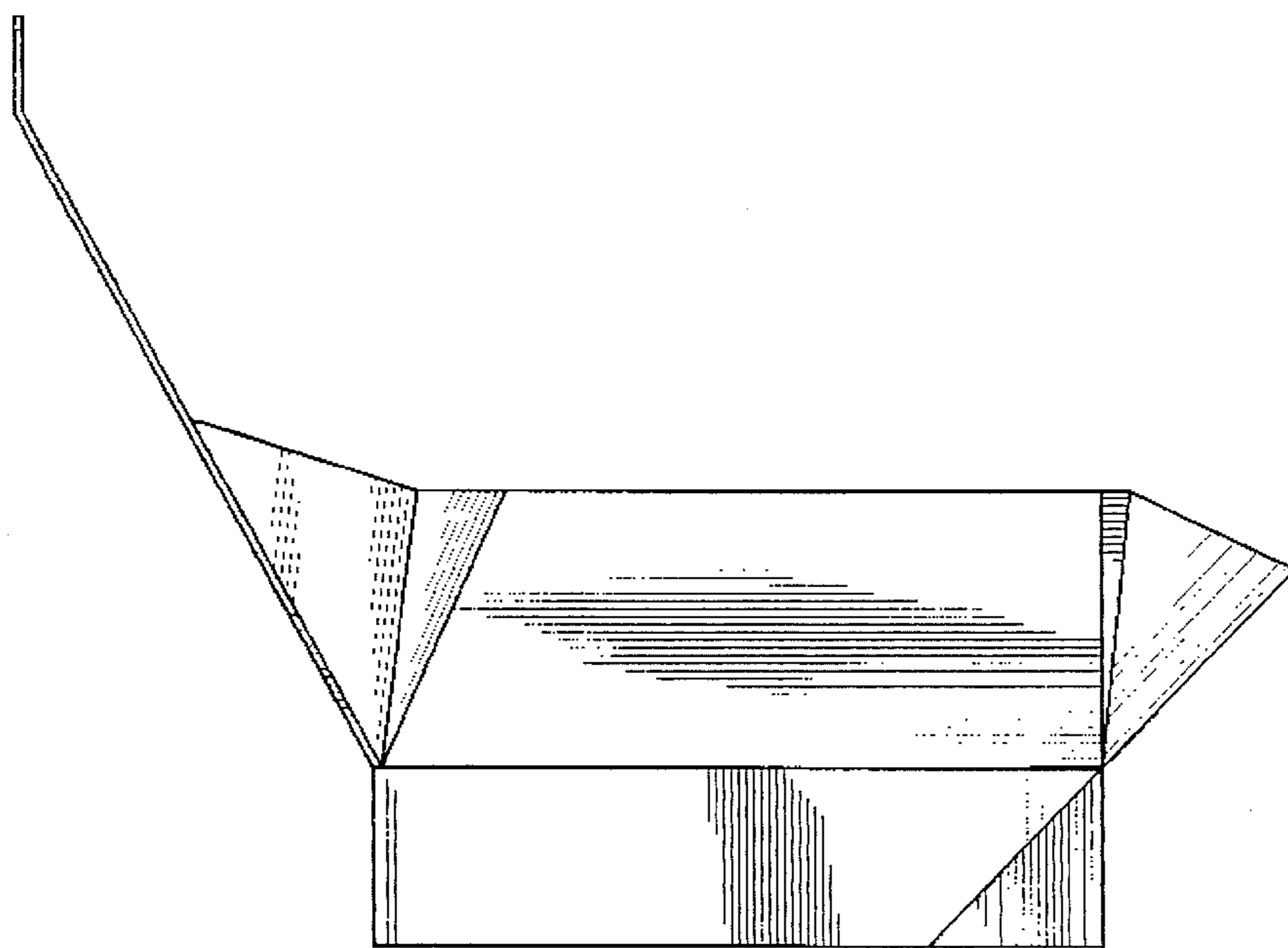


FIG. 4

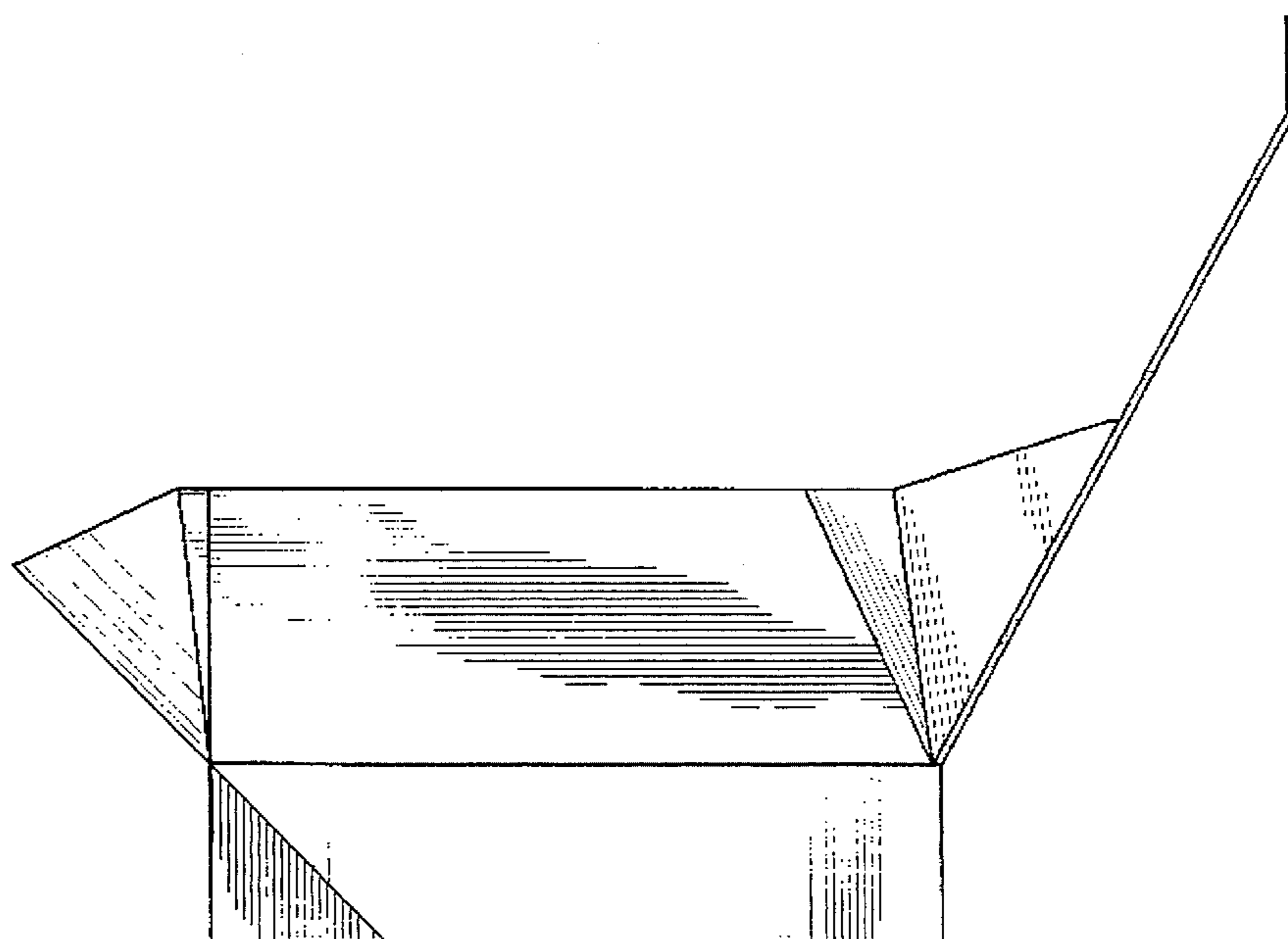


FIG. 5

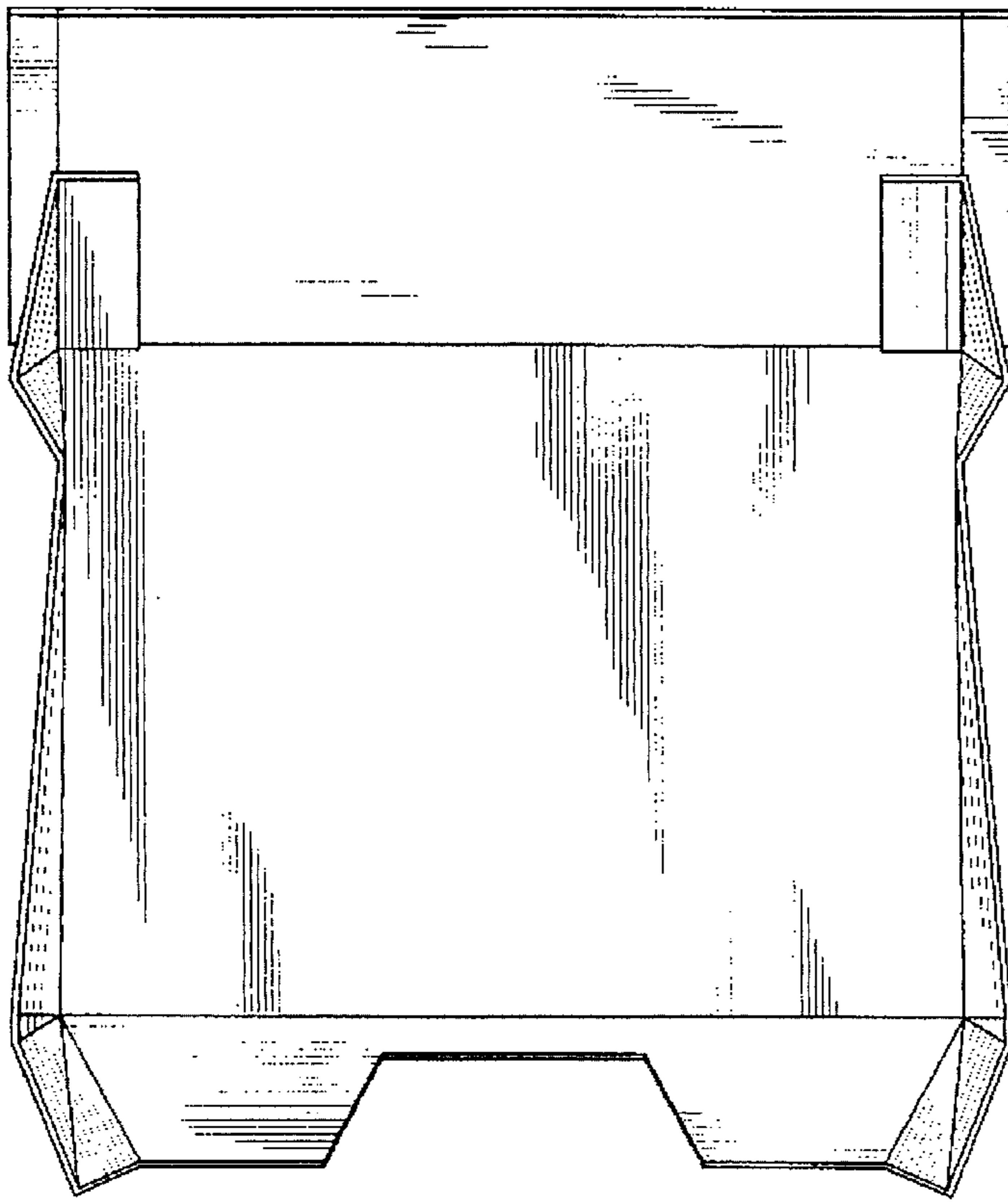


FIG. 6

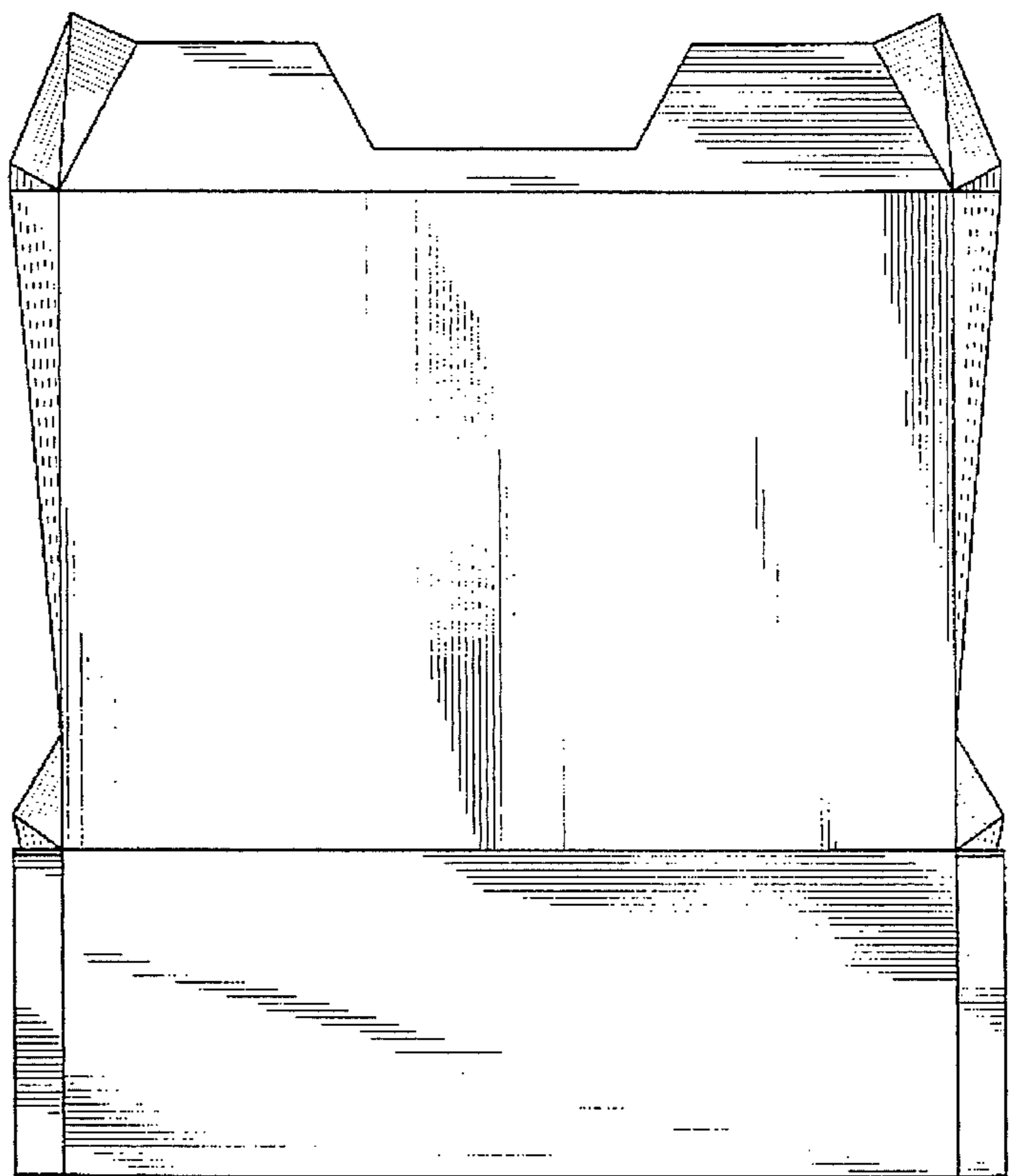


FIG. 7

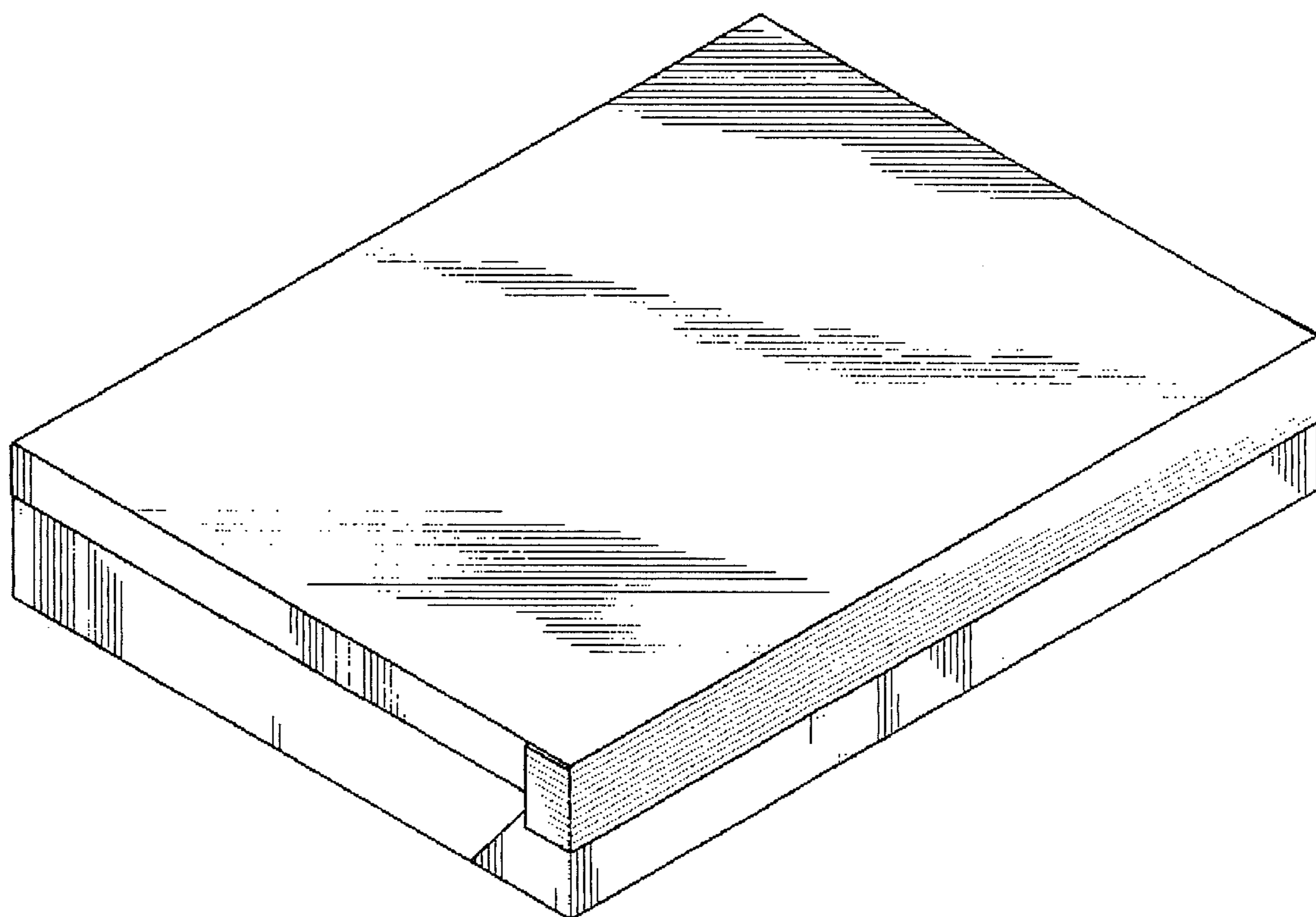


FIG. 8