



US00D372562S

United States Patent [19]

[11] Patent Number: **Des. 372,562**

Brown

[45] Date of Patent: ****Aug. 6, 1996**

[54] **BUTTERFLY FEEDER**

5,269,258	12/1993	Brown	119/72
5,303,674	4/1994	Hyde, Jr.	119/77
5,423,291	6/1995	Daugherty	119/77

[76] Inventor: **Arthur C. Brown**, P.O. Box 277, West Kingston, R.I. 02892

[**] Term: **14 Years**

OTHER PUBLICATIONS

Starcrest of California Advaertisement for Sunflower Spa Bird Fountain;@ 1988.

[21] Appl. No.: **29,851**

Primary Examiner—Cathy Anne MacCormac
Attorney, Agent, or Firm—Barlow & Barlow, Ltd.

[22] Filed: **Oct. 18, 1994**

[52] U.S. Cl. **D30/121; D30/125**

[58] Field of Search 119/6.5, 72, 51.03,
119/77; D30/121, 124-128, 122

[57] **CLAIM**

The ornamental design for a butterfly feeder, as shown.

[56] **References Cited**

DESCRIPTION

U.S. PATENT DOCUMENTS

D. 194,683	2/1963	Clegg	D30/125
D. 194,846	3/1963	Parry	D30/125
D. 234,615	3/1975	Kilham	D30/125
D. 252,288	7/1979	Kilham	D30/125
D. 278,167	3/1985	Kilham	D30/121
D. 352,574	11/1994	Brown	D30/121
3,913,527	10/1975	Kilham	119/77
5,247,904	9/1993	Anderson	119/77

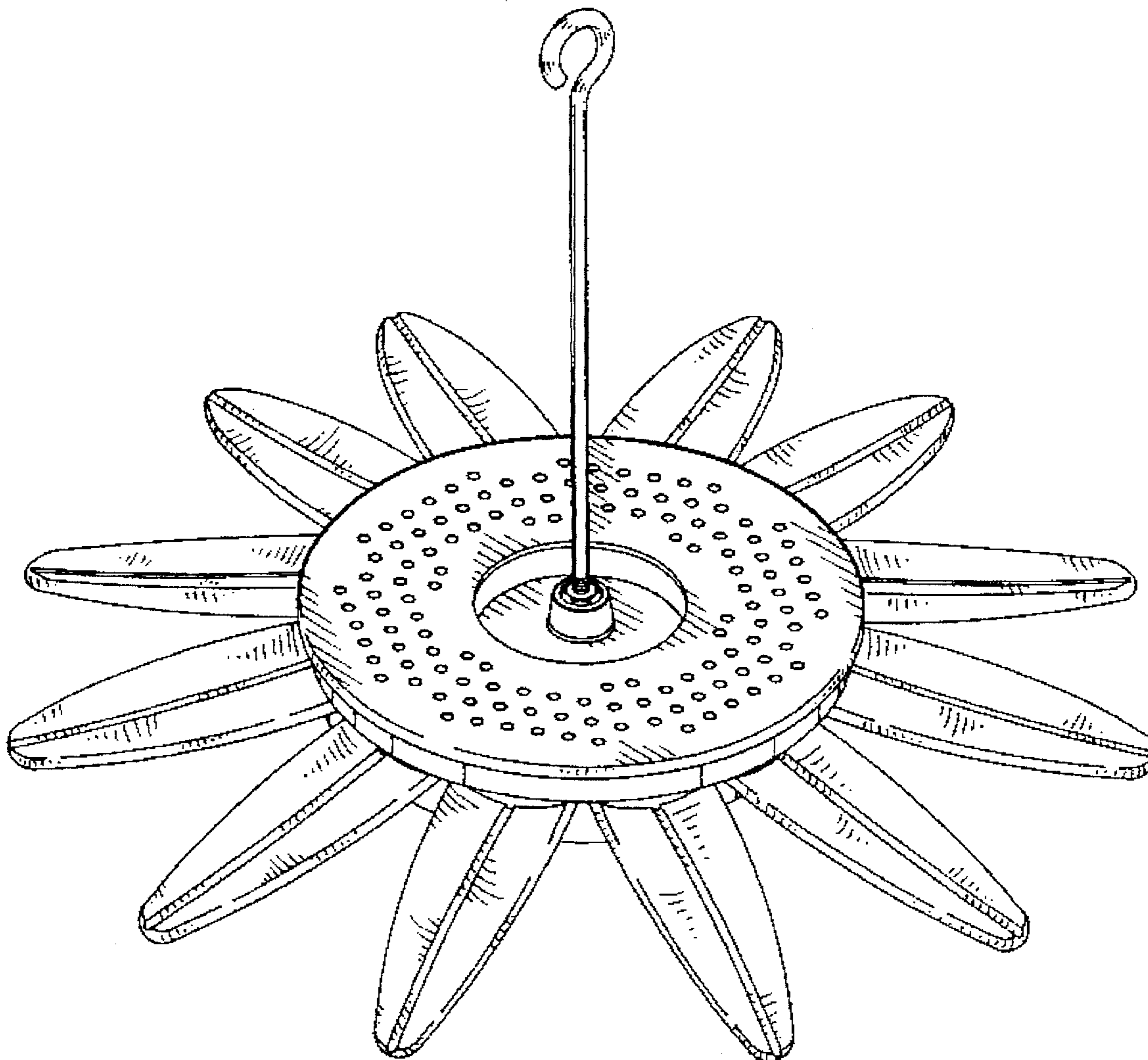
FIG. 1 is a perspective view of a butterfly feeder showing my new design;

FIG. 2 is an elevational view taken from the right side of FIG. 1;

FIG. 3 is a top plan view thereof; and,

FIG. 4 is a bottom plan view thereof.

1 Claim, 2 Drawing Sheets



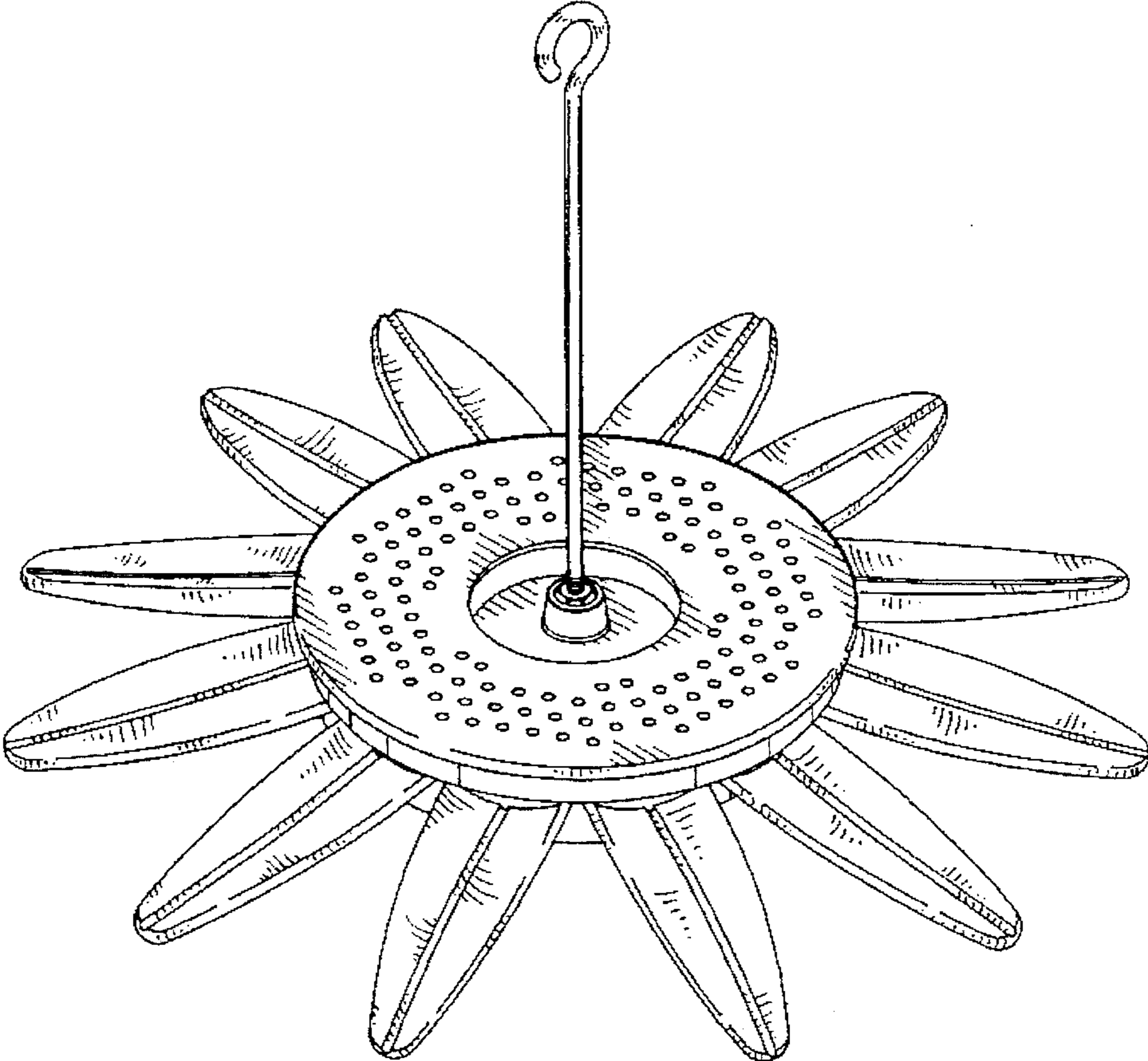


FIG. 1

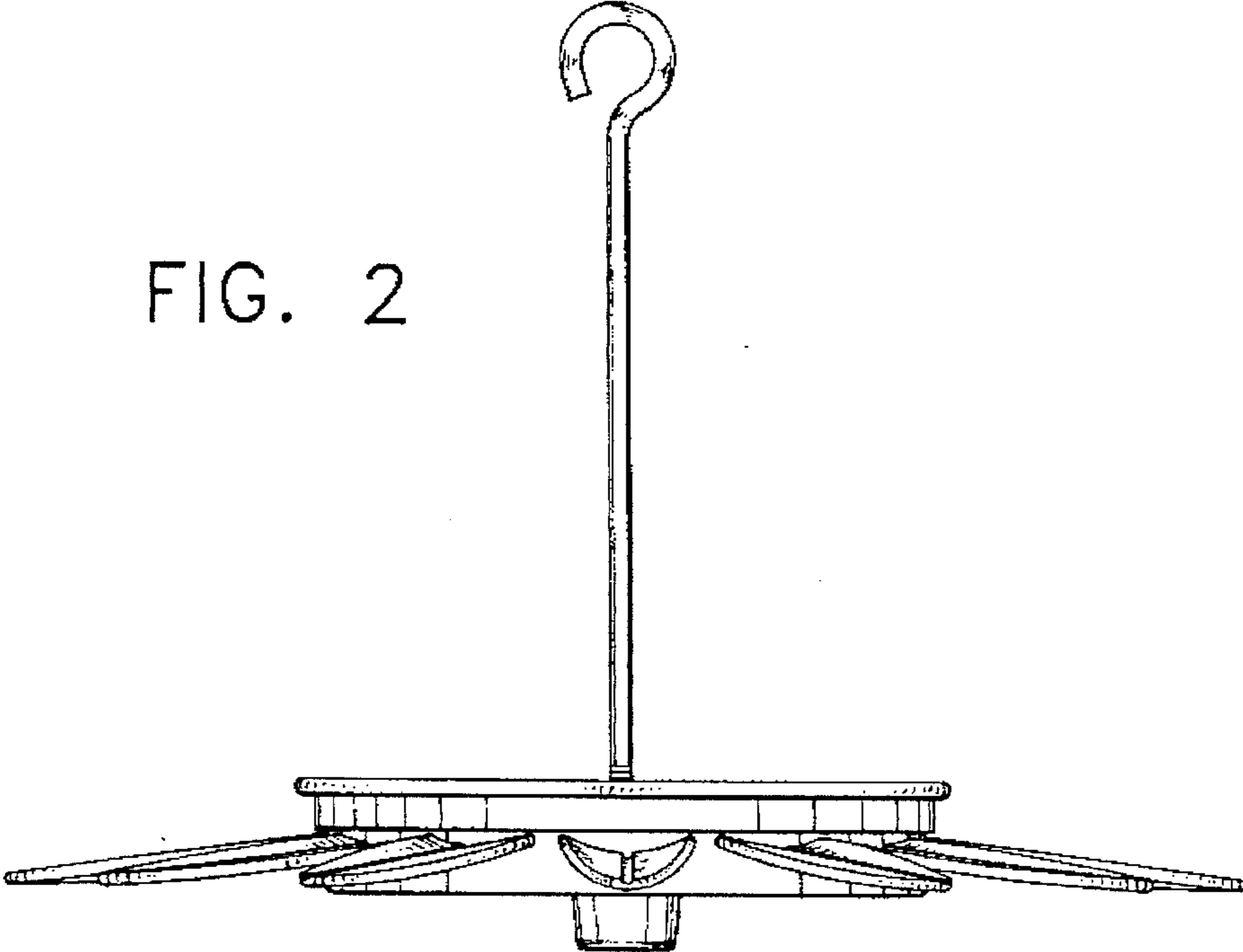


FIG. 2

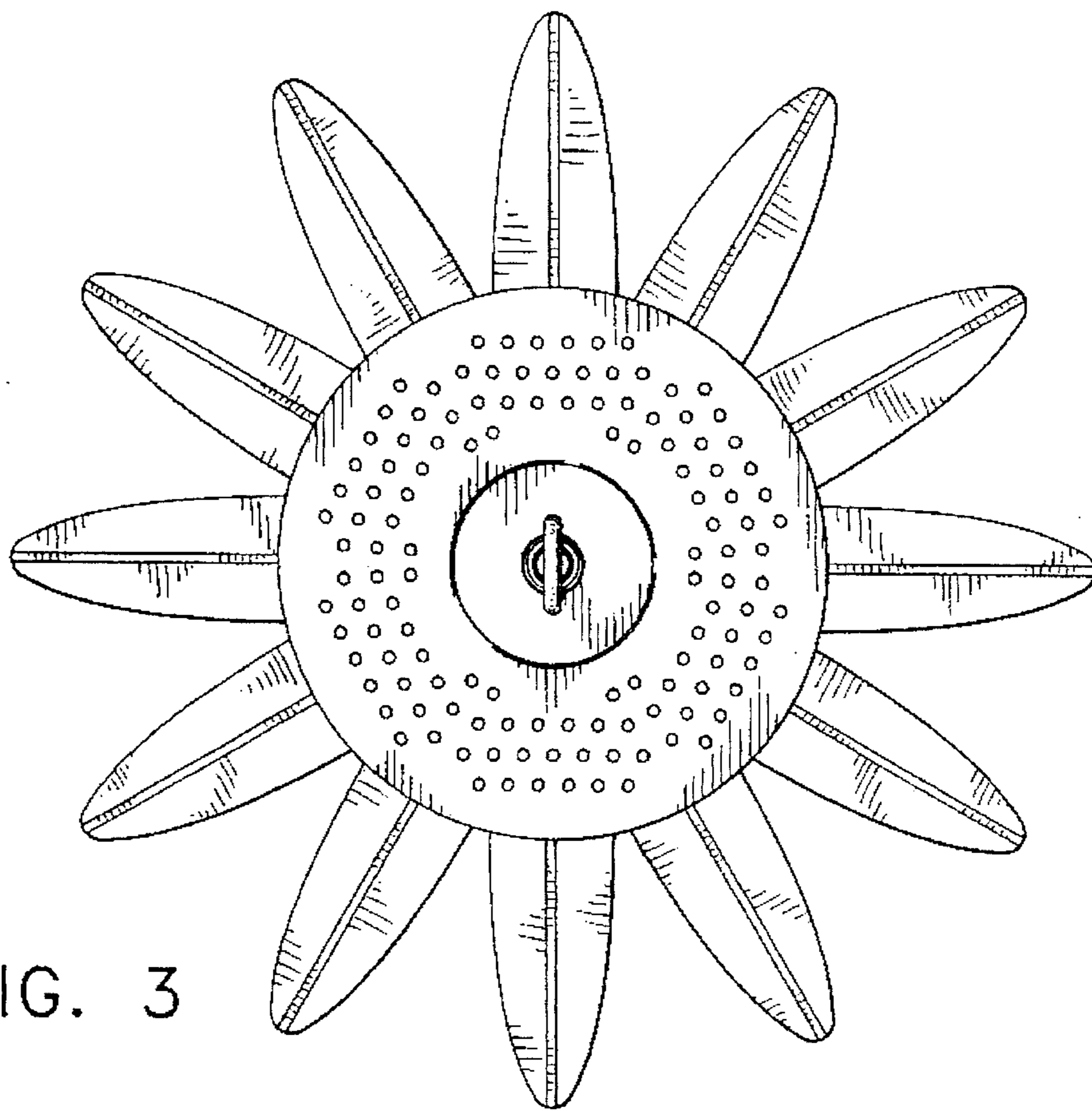


FIG. 3

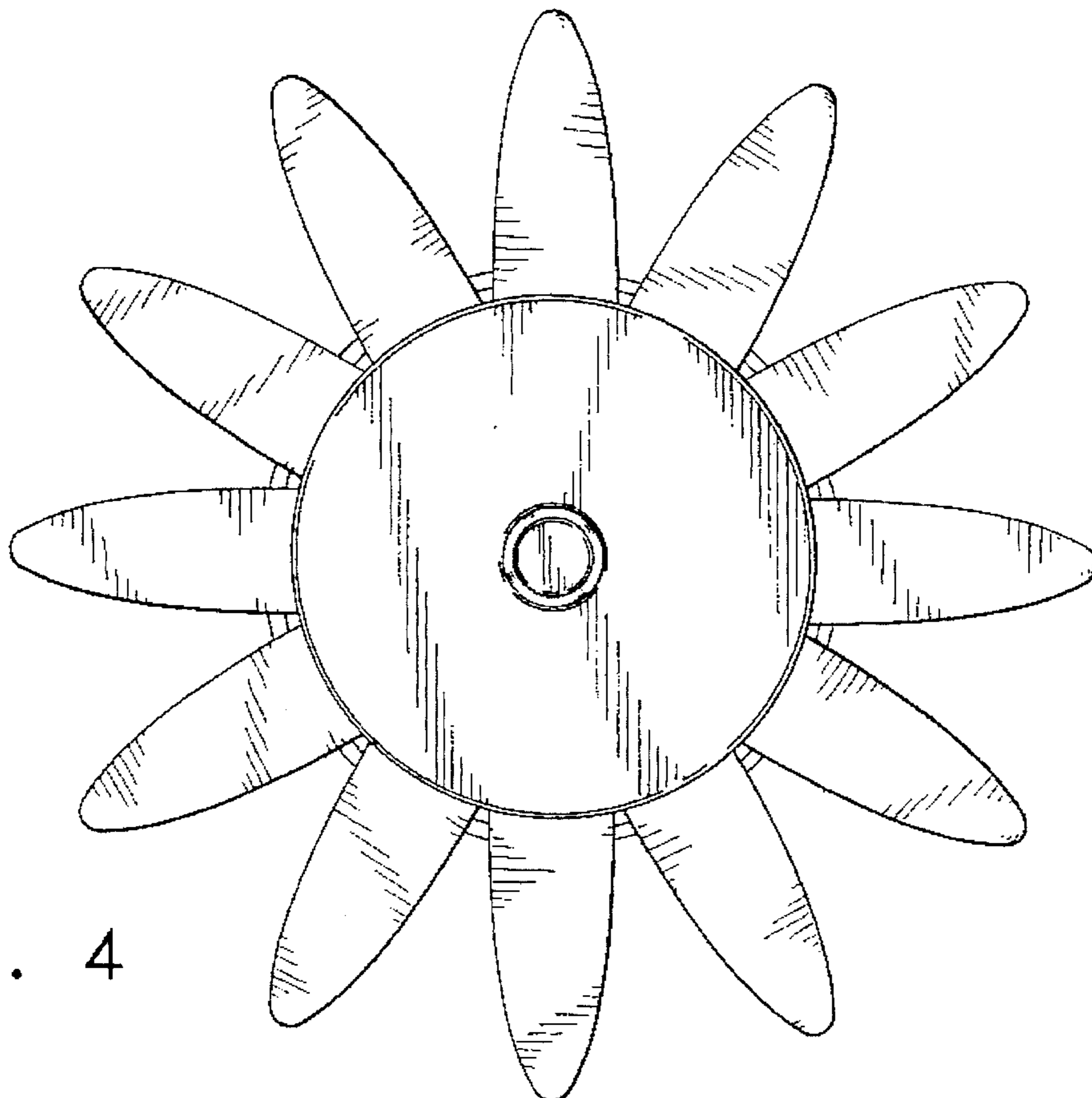


FIG. 4