



US00D372560S

United States Patent [19]

Matigian

[11] **Patent Number: Des. 372,560**

[45] **Date of Patent: **Aug. 6, 1996**

[54] **FIRE EXTINGUISHER FOR USE IN A BARBECUE GRILL**

5,353,880 10/1994 Green 169/65

[76] Inventor: **Matthew R. Matigian**, 1143 N. Kenilworth, Oak Park, Ill. 60302

Primary Examiner—Kay H. Chin
Attorney, Agent, or Firm—James A. Hudak

[**] Term: **14 Years**

[57] **CLAIM**

[21] Appl. No.: **39,236**

The ornamental design for a fire extinguisher for use in a barbecue grill, as shown and described.

[22] Filed: **May 25, 1995**

DESCRIPTION

[52] U.S. Cl. **D29/125**

FIG. 1 is a perspective view of the fire extinguisher for use in a barbecue grill showing my new design; FIG. 2 is a front elevational view thereof; FIG. 3 is a rear elevational view thereof; FIG. 4 is a right side elevational view thereof; FIG. 5 is a left side elevational view thereof; FIG. 6 is a top plan view thereof; and, FIG. 7 is a bottom plan view thereof.

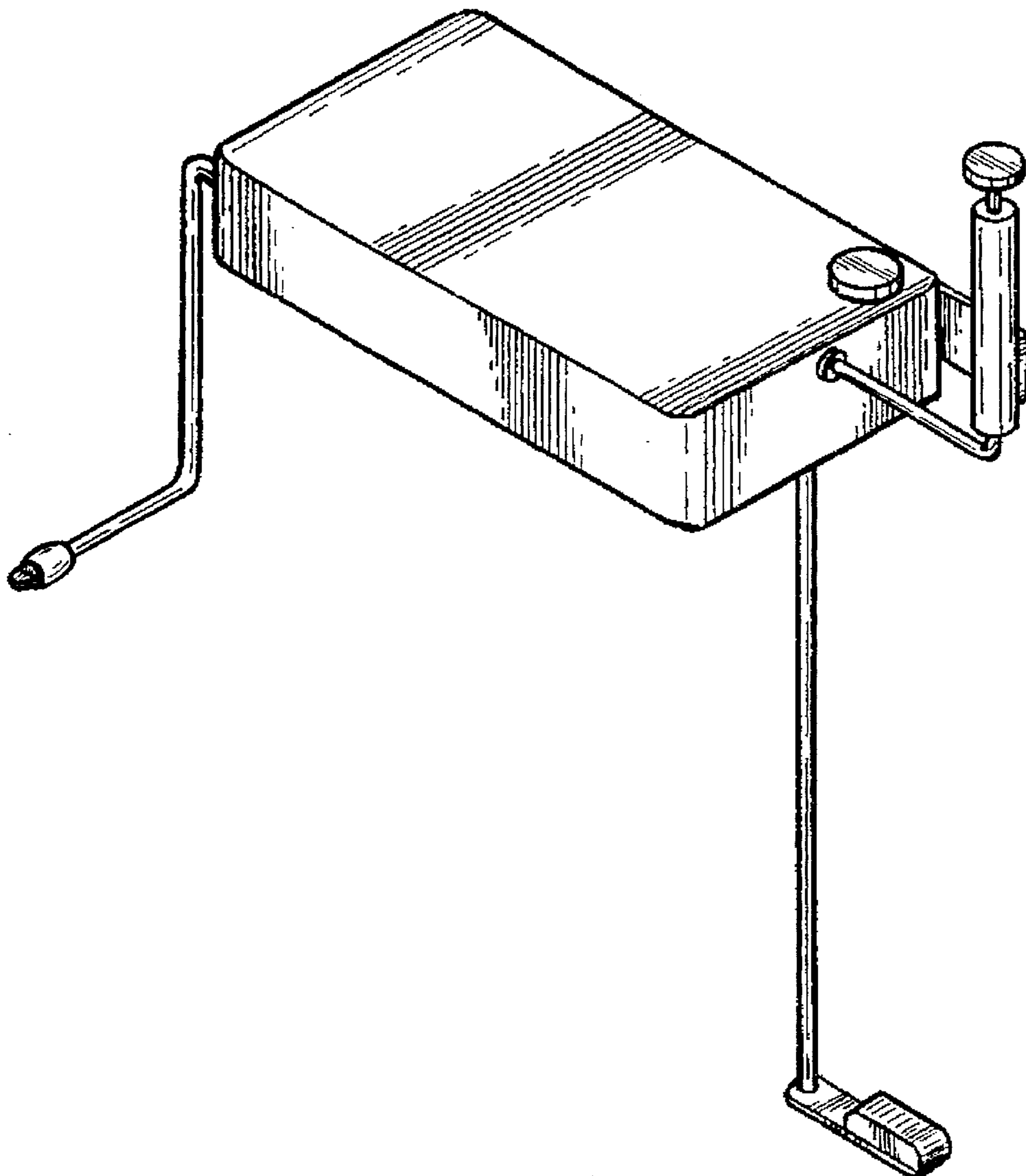
[58] **Field of Search** D29/125-130; 169/65, 13

[56] **References Cited**

U.S. PATENT DOCUMENTS

| | | | |
|-----------|---------|---------------|--------|
| 4,256,181 | 3/1981 | Searcy | 169/65 |
| 4,773,485 | 9/1988 | Silverman | 169/65 |
| 4,830,116 | 5/1989 | Walden et al. | 169/65 |
| 5,351,760 | 10/1994 | Tabor, Jr. | 169/65 |

1 Claim, 5 Drawing Sheets



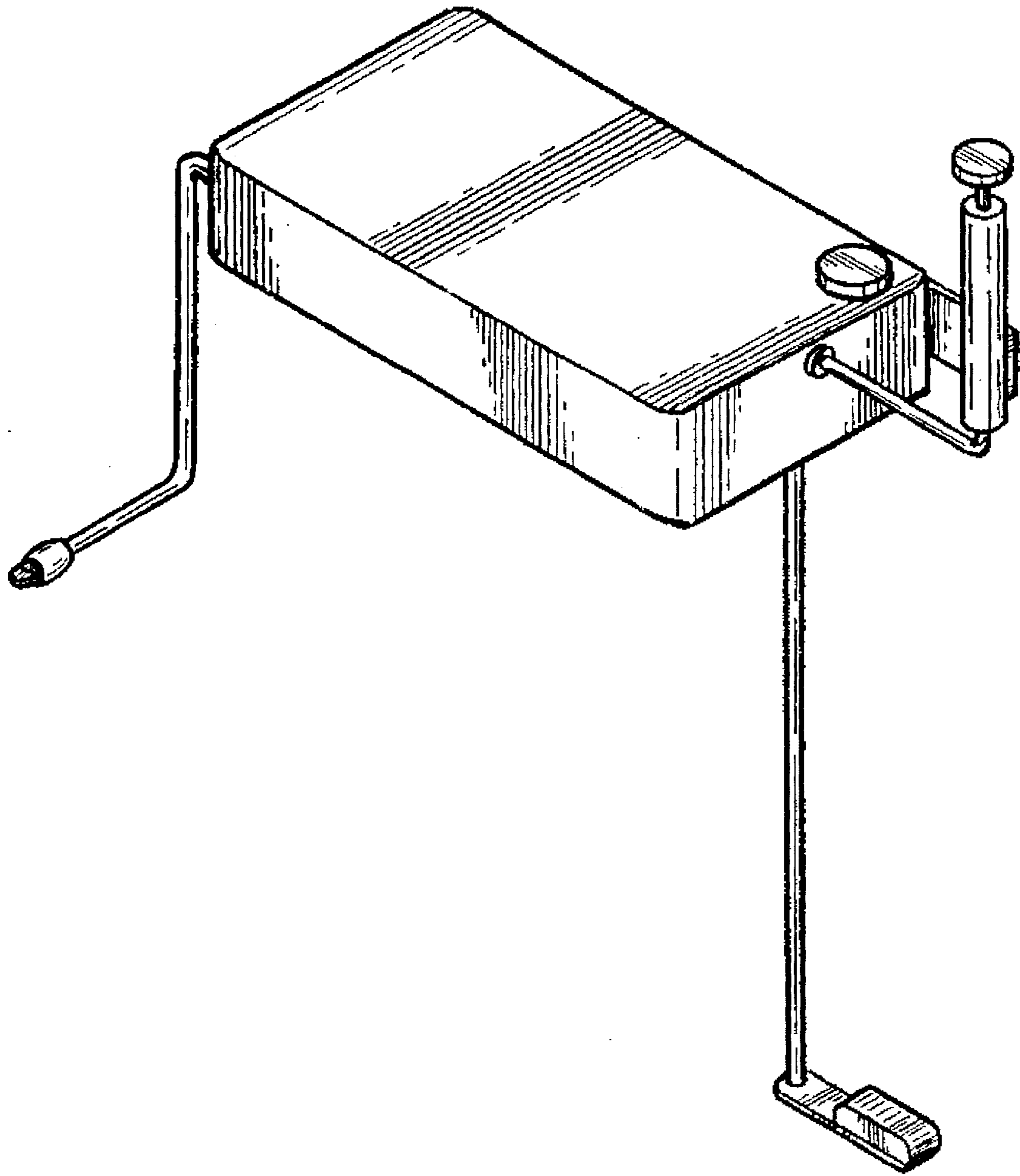


FIG. 1

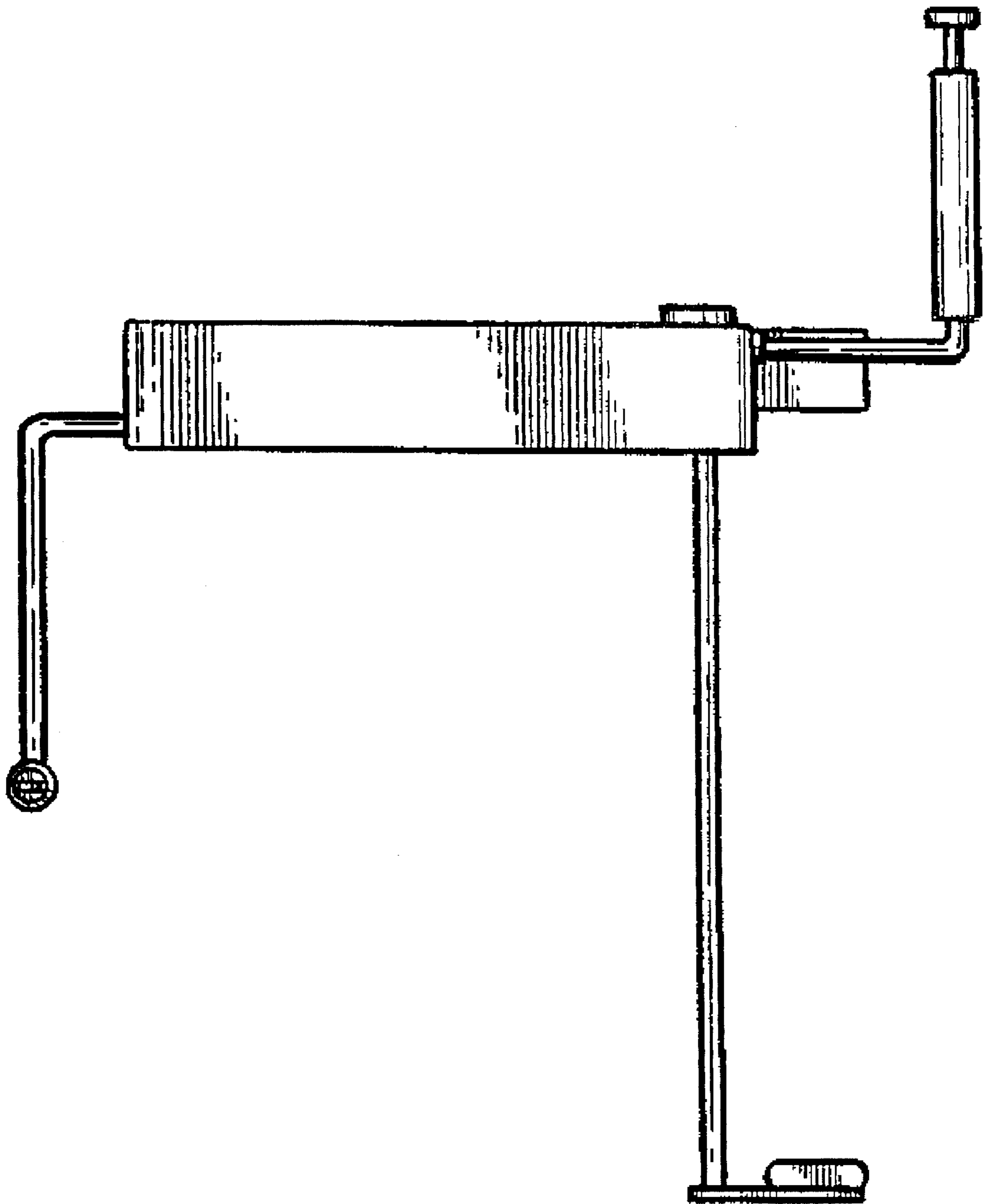


FIG. 2

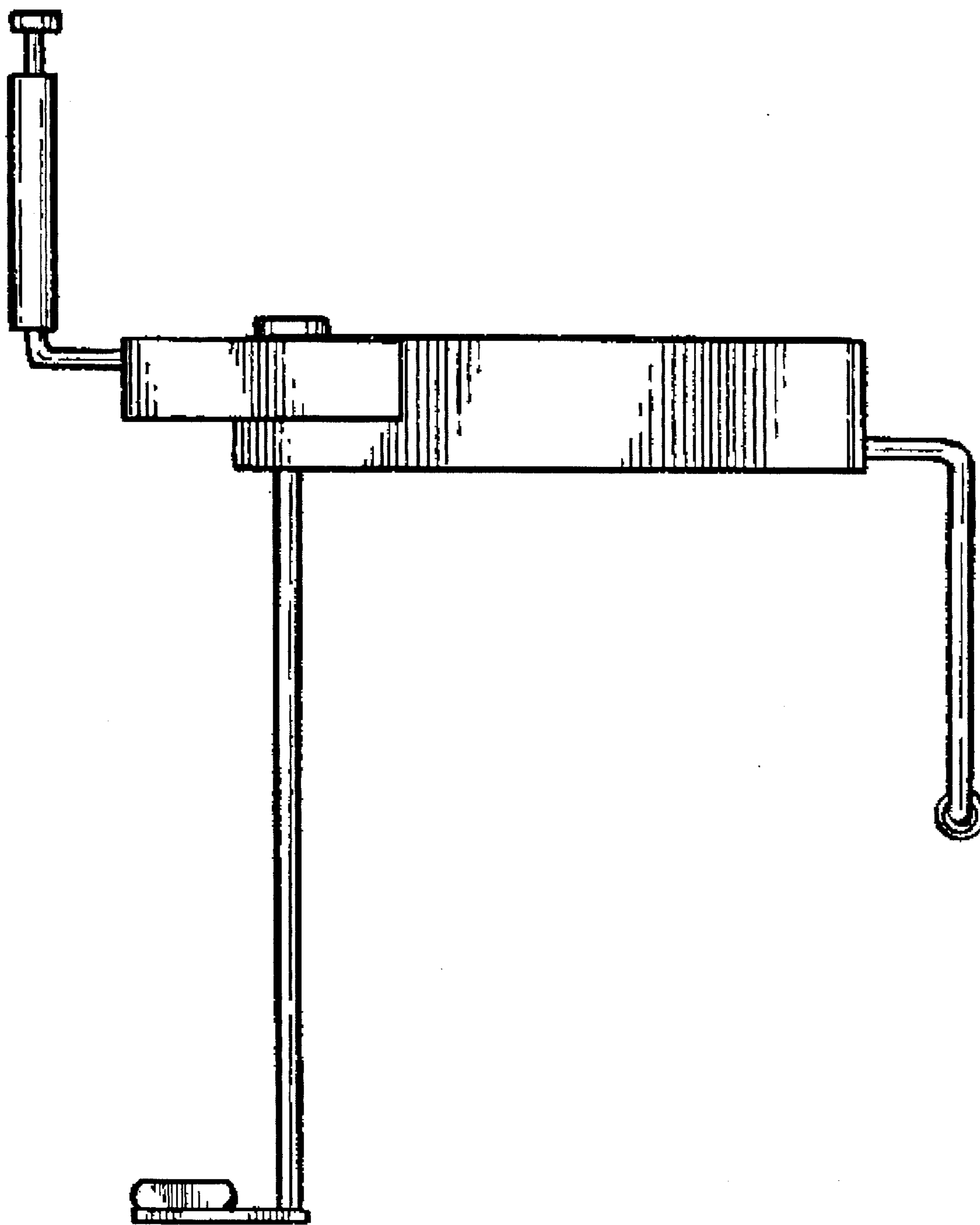


FIG. 3

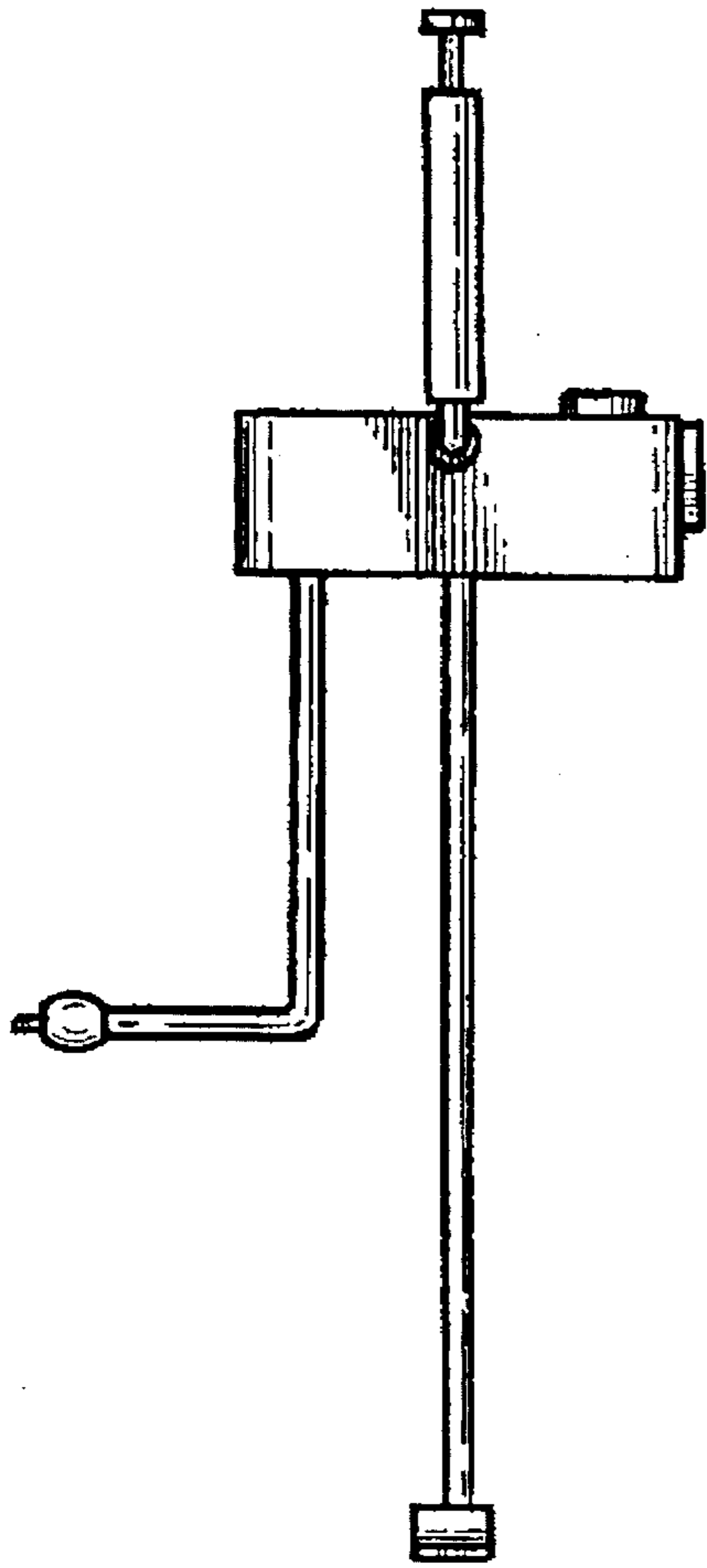


FIG. 4

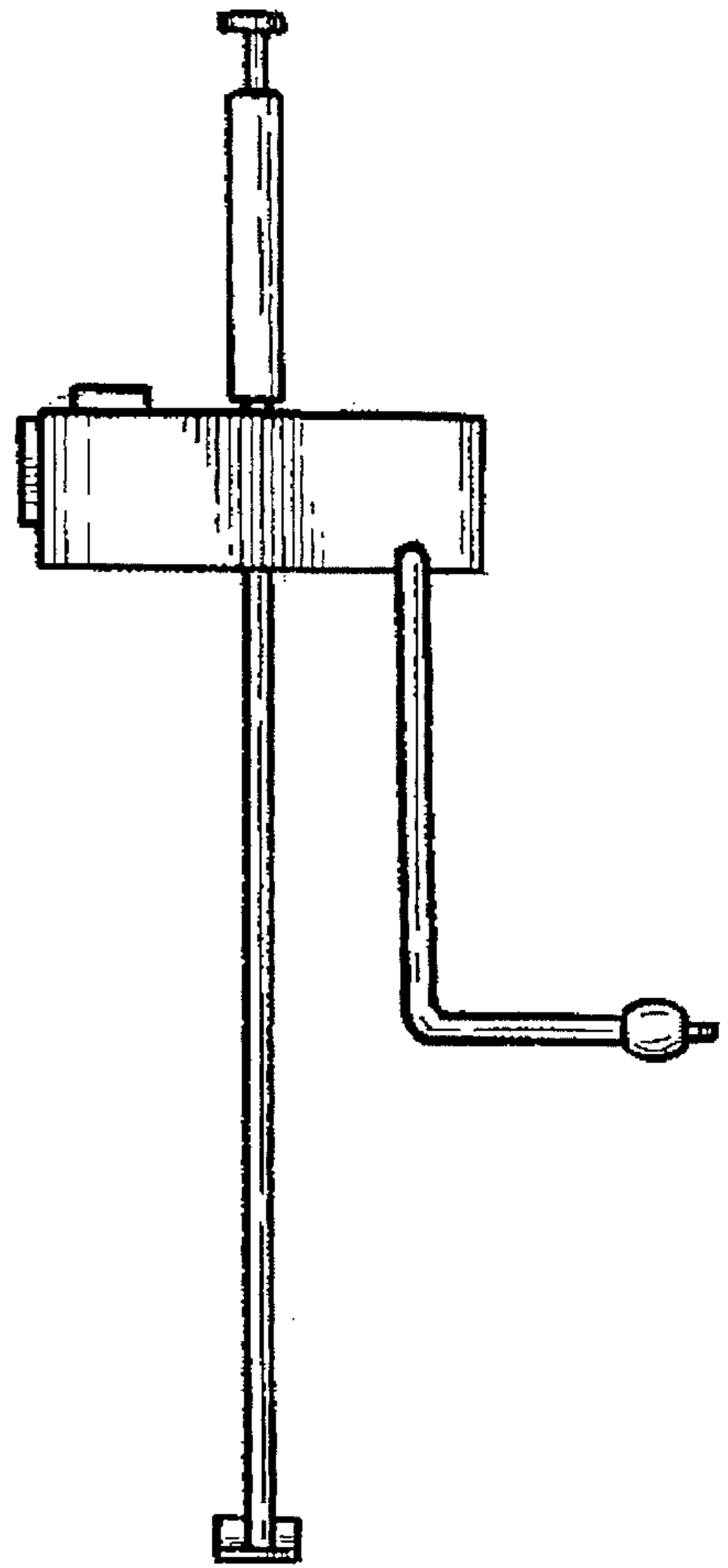


FIG. 5

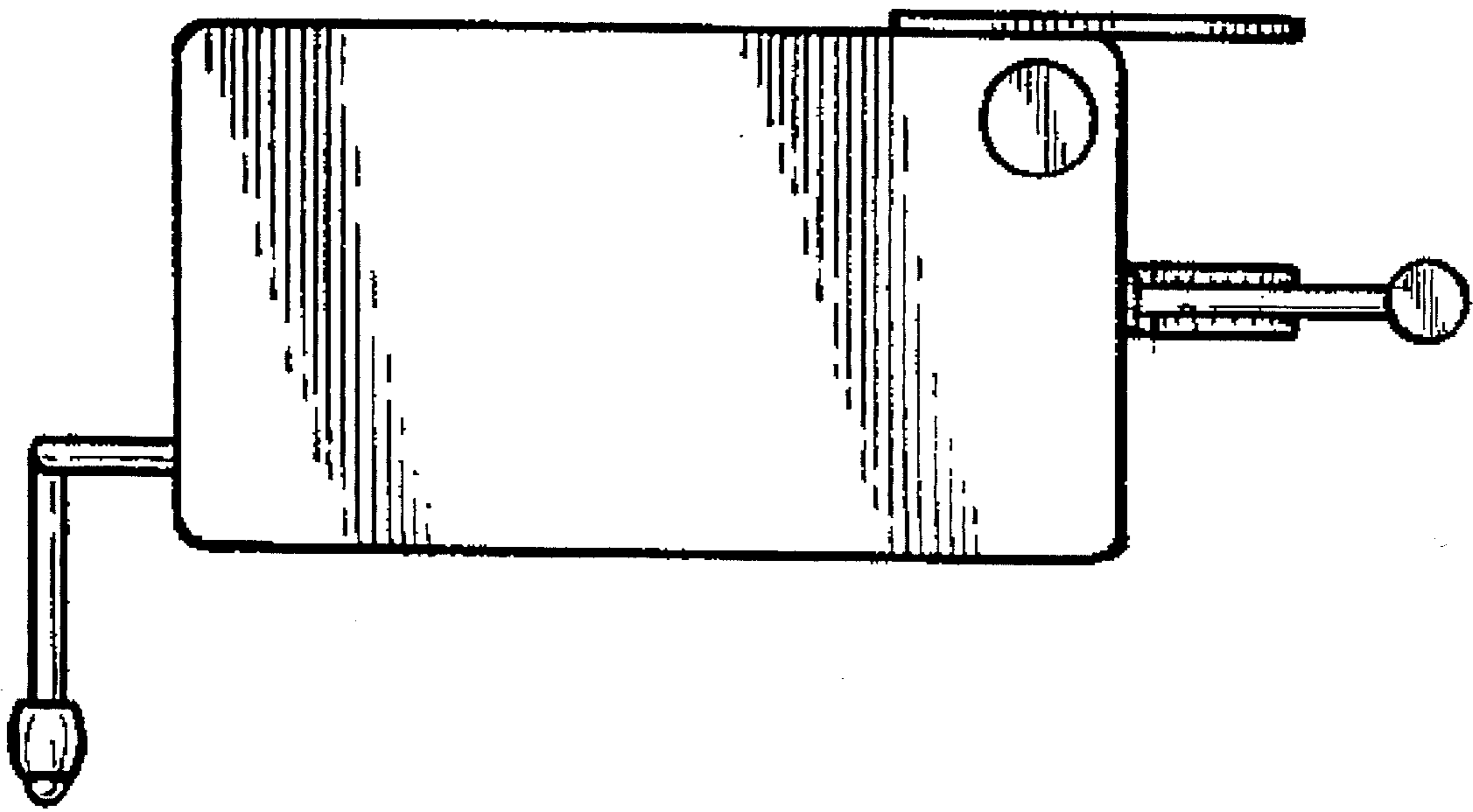


FIG. 6

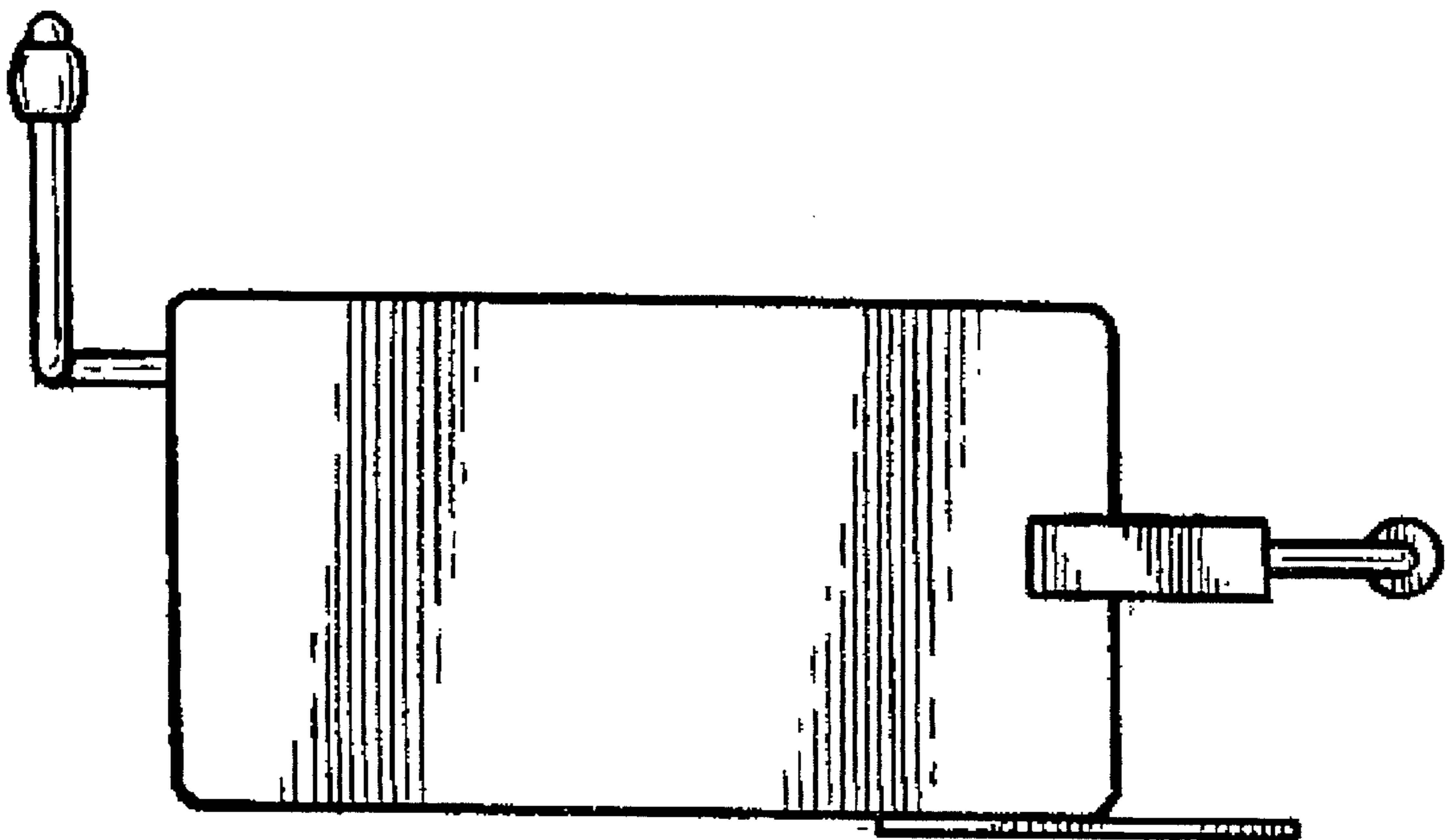


FIG. 7