



US00D372557S

United States Patent [19]
Mitchell

[11] **Patent Number: Des. 372,557**

[45] **Date of Patent: **Aug. 6, 1996**

[54] **COMBINATION RAZOR BODY AND SHAVING CREAM DISPENSER**

5,016,351 5/1991 Drahus 30/41
5,133,130 7/1992 Podolsky 39/90 X
5,269,062 12/1993 Dallaire et al. 30/41

[75] Inventor: **John Mitchell**, Darien, Ill.

Primary Examiner—Terry A. Wallace

[73] Assignee: **Venture Innovations, Inc.**, Westmont, Ill.

Assistant Examiner—C. Tuttle

Attorney, Agent, or Firm—Trexler, Bushnell, Giangiorgi & Blackstone, Ltd.

[**] Term: **14 Years**

[57] **CLAIM**

[21] Appl. No.: **41,423**

The ornamental design for a combination razor body and shaving cream dispenser, as shown and described.

[22] Filed: **Jul. 13, 1995**

[52] U.S. Cl. **D28/47**

[58] **Field of Search** D28/44, 46, 48;
30/34.05, 41, 41.5, 47, 85, 86, 90, 124,
125

DESCRIPTION

FIG. 1 is a perspective view of the combination razor body and shaving cream dispenser the broken lines showing a razor head with lead lines and a shaving cream canister are for illustrative purposes only and form no part of the claimed design;

FIG. 2 is a front elevational view thereof;

FIG. 3 is a right side elevational view thereof, the left side elevational view being a mirror image of FIG. 2;

FIG. 4 is a rear elevational view thereof;

FIG. 5 is a top plan view thereof; and,

FIG. 6 is a bottom plan view thereof.

[56] **References Cited**

U.S. PATENT DOCUMENTS

D. 281,282	11/1985	Lazarus	D28/47
D. 309,036	7/1990	Cheng	D28/46
D. 319,709	9/1991	Drahus	D28/46
D. 343,026	1/1994	Dallaire et al.	D28/47
4,377,034	3/1983	Druash et al.	30/41
4,813,138	3/1989	Chen	30/86 X
4,908,945	3/1990	Jacobson	30/41

1 Claim, 2 Drawing Sheets

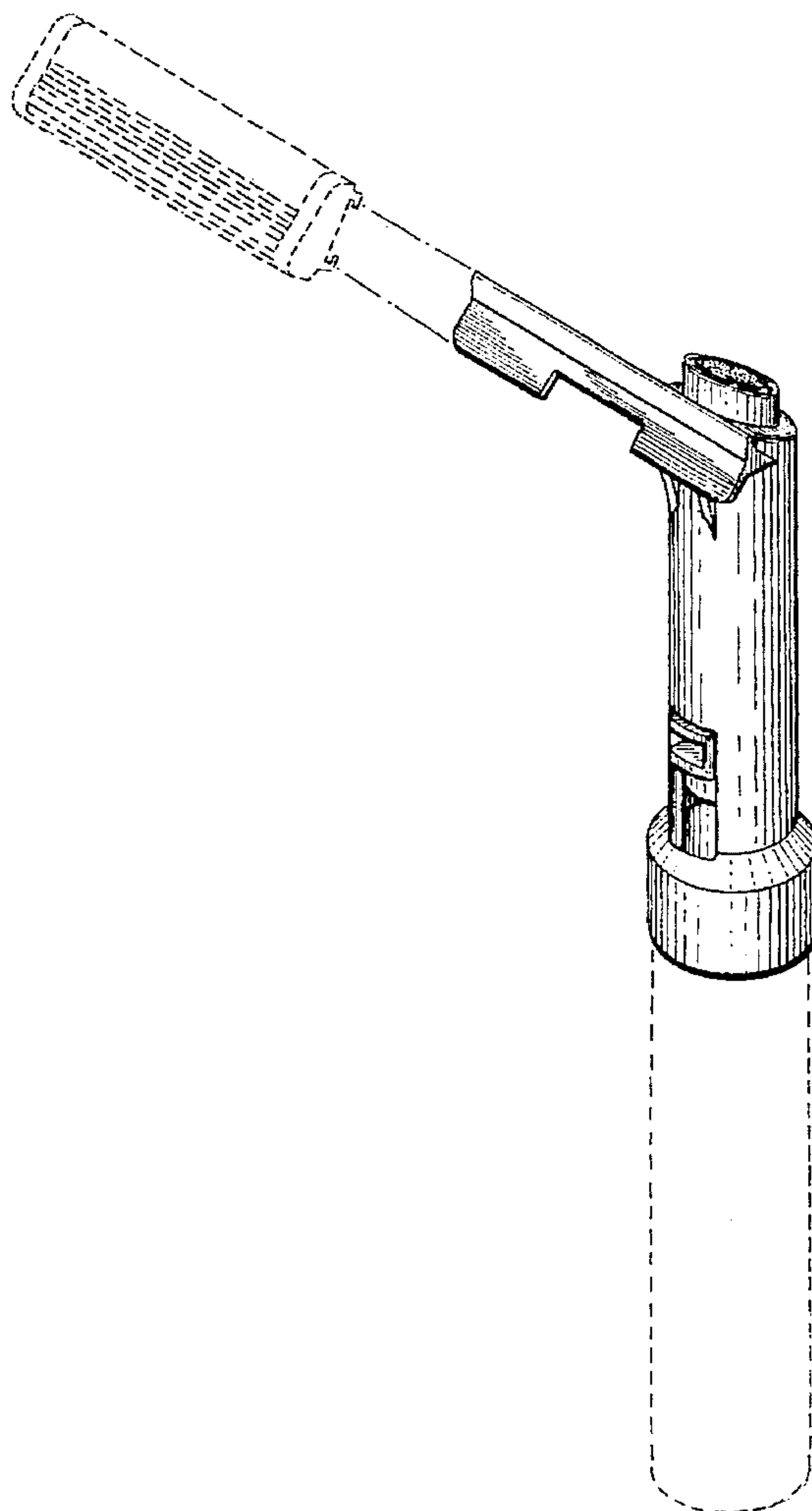


FIG. 1

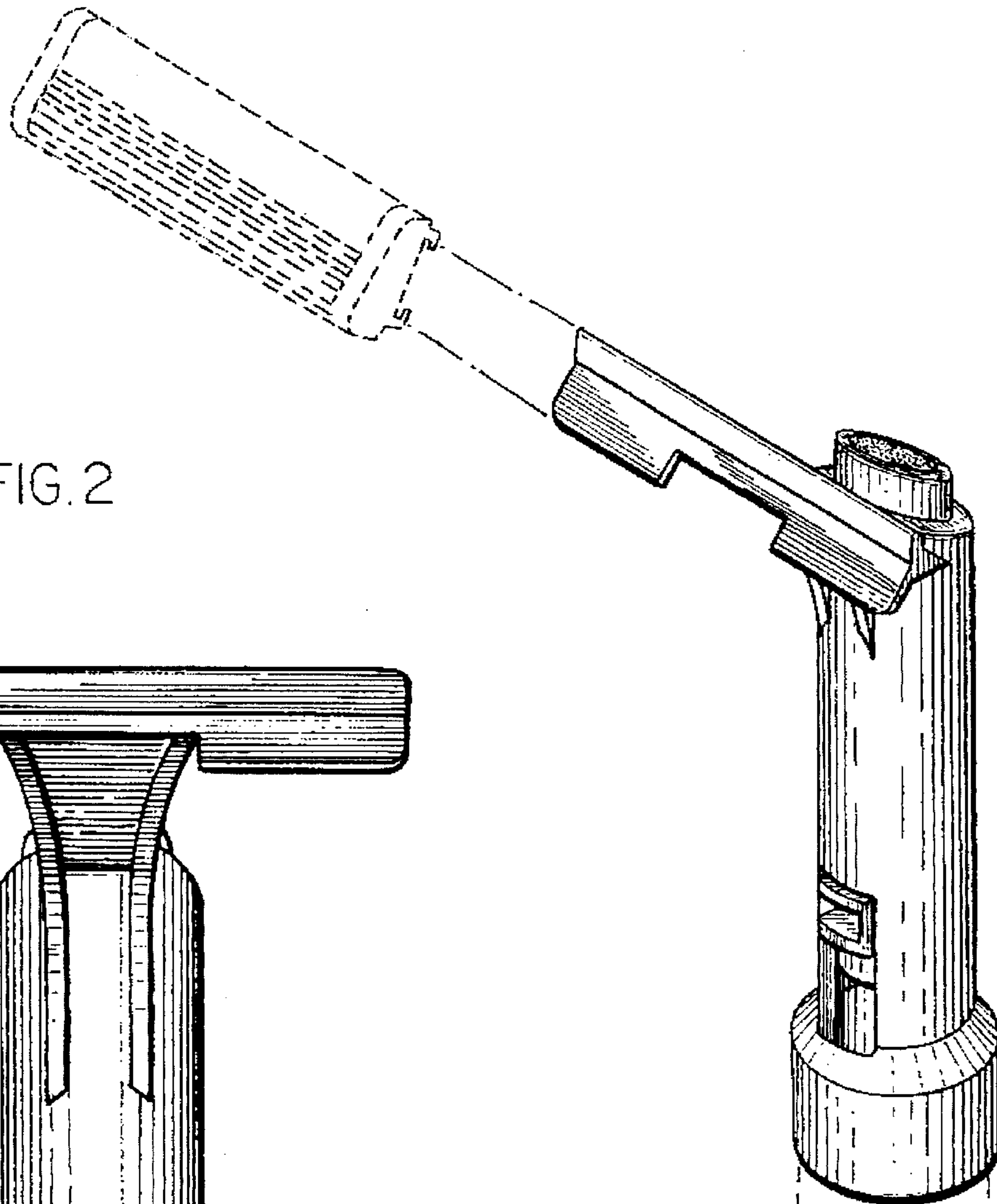


FIG. 2

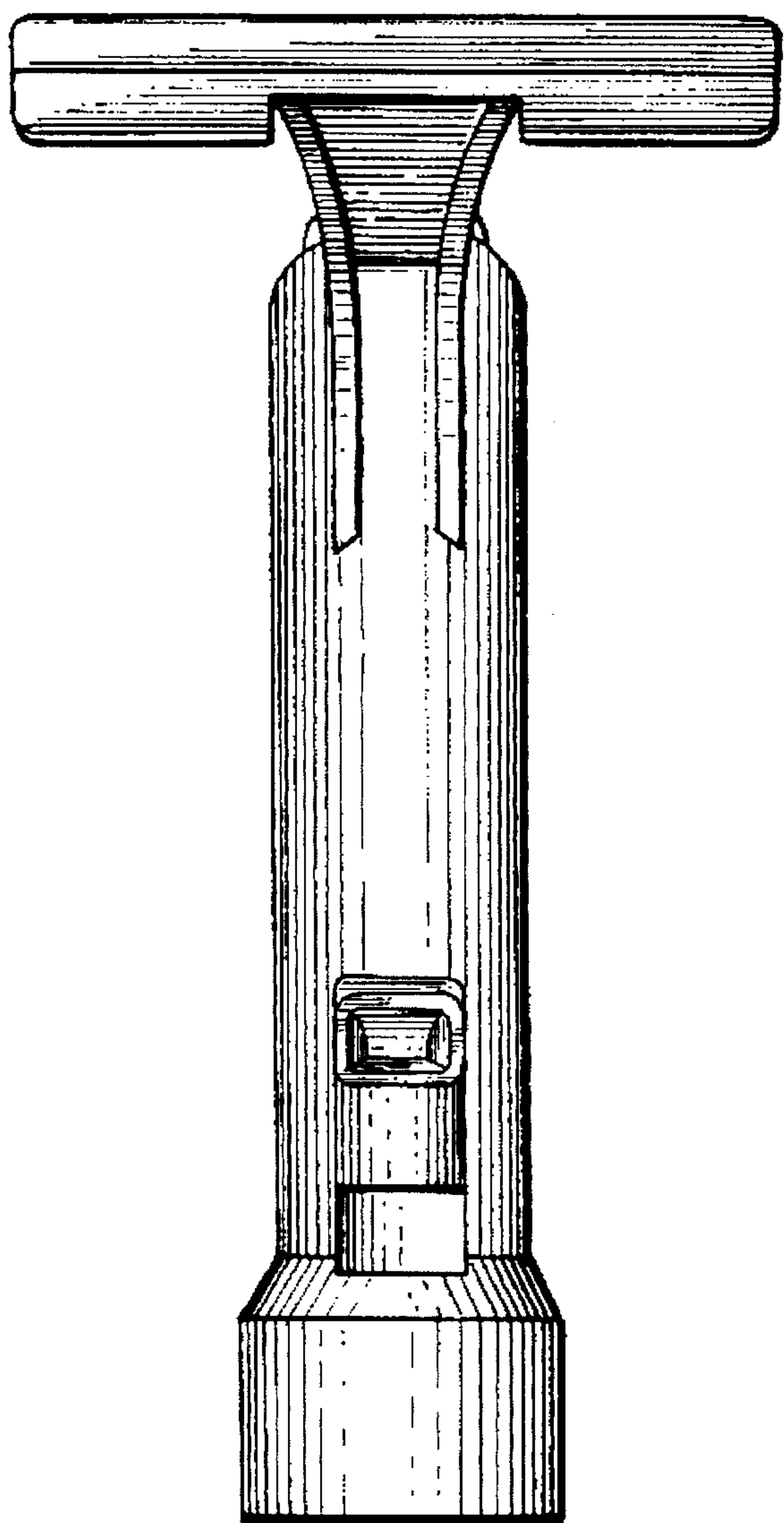


FIG. 3

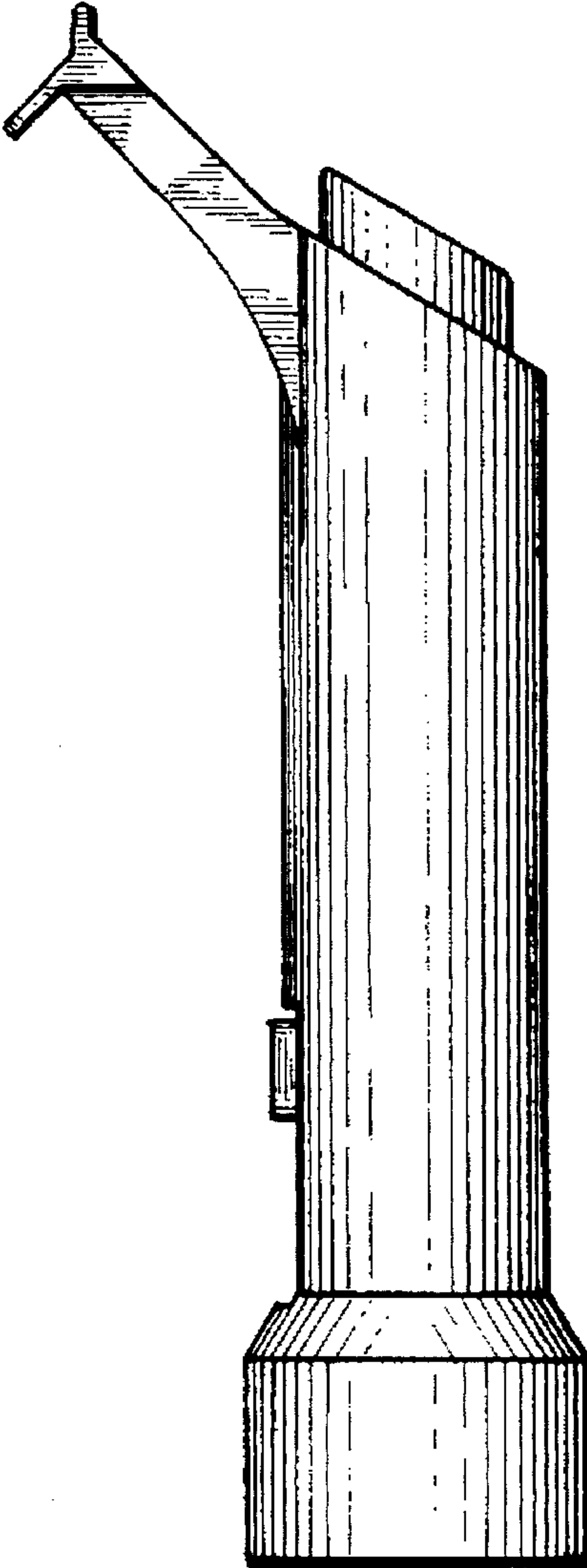


FIG. 4

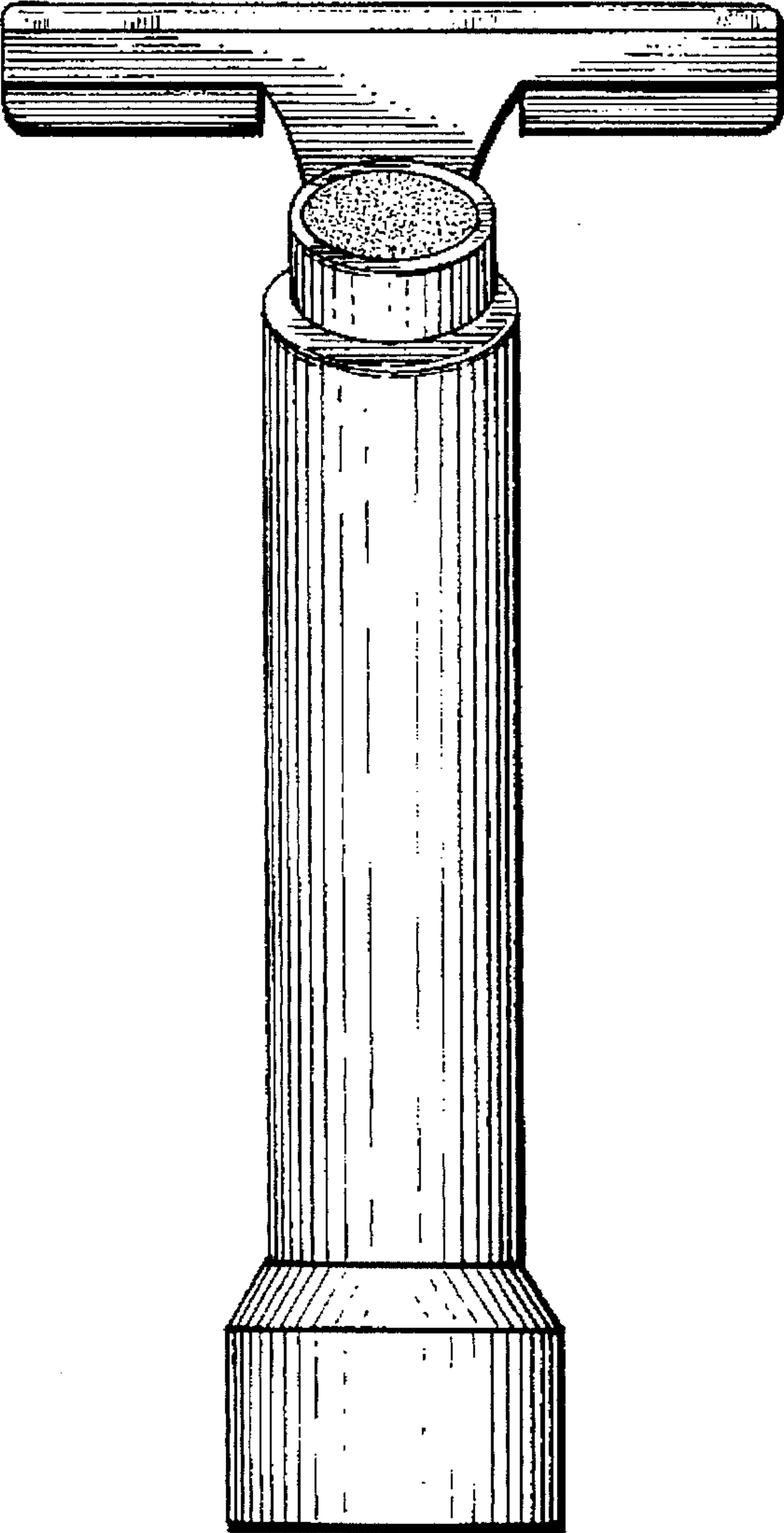


FIG. 5

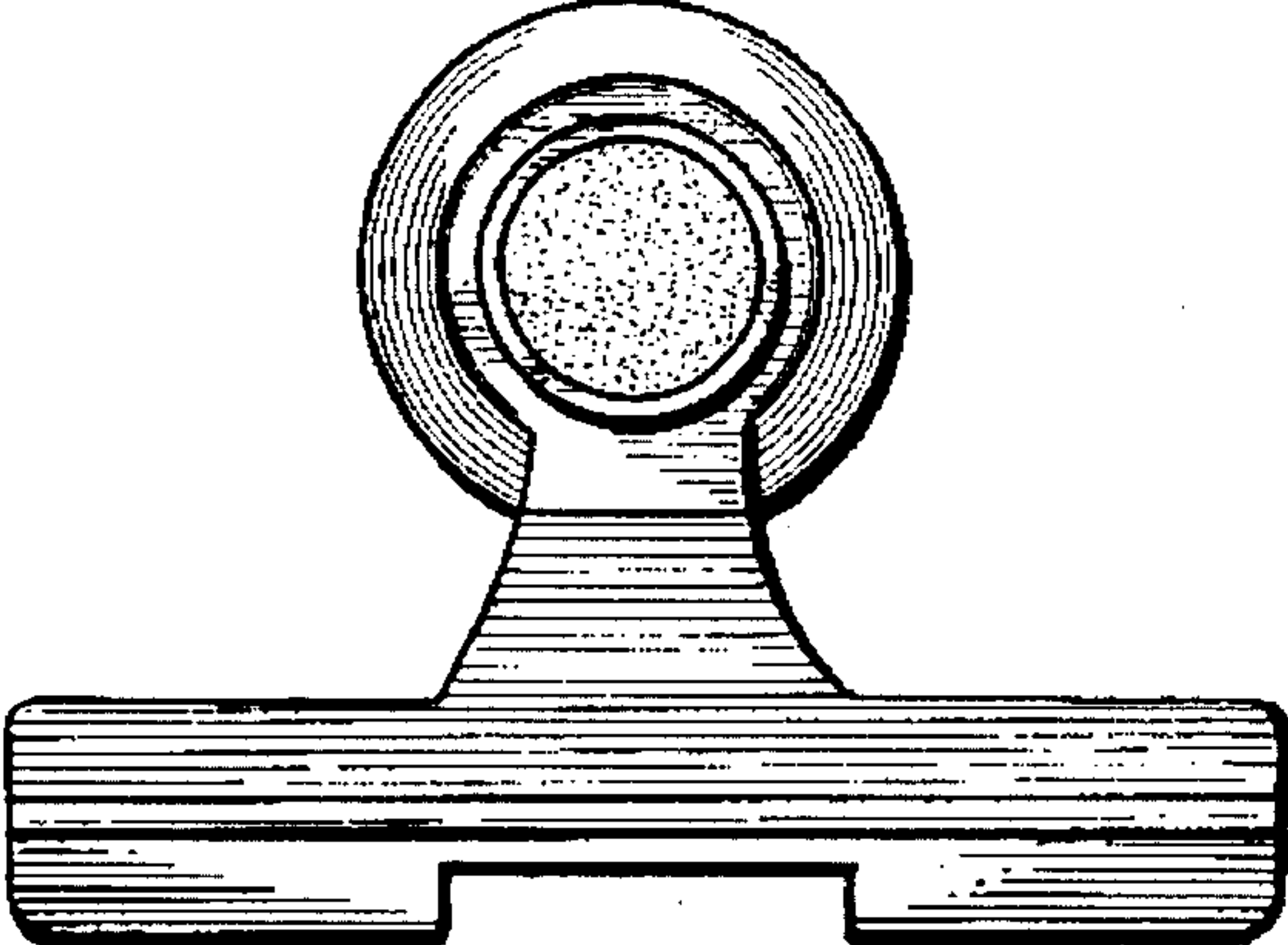


FIG. 6

