



US00D372556S

# United States Patent [19]

[11] Patent Number: **Des. 372,556**

Lee

[45] Date of Patent: **\*\*Aug. 6, 1996**

## [54] WALL FIXTURE MOUNTING BASE

[76] Inventor: **Ying-Jue Lee**, No. 3, Lane 1, Szu Wei Road, Wuku Hsiang, Taipei Hsien, Taiwan

[\*\*] Term: **14 Years**

[21] Appl. No.: **41,484**

[22] Filed: **Jul. 17, 1995**

[52] U.S. Cl. .... **D26/142; D8/352**

[58] Field of Search ..... D26/142, 143, D26/145, 152, 72, 80, 85, 87, 92; 362/147, 342; D8/352

### [56] References Cited

#### U.S. PATENT DOCUMENTS

D. 58,120	6/1921	Walker	.....	D26/142
D. 261,857	11/1981	Valli	.....	D8/352 X
D. 356,384	3/1995	Pickett	.....	D26/92
D. 358,680	5/1995	Chen	.....	D26/142

Primary Examiner—Susan J. Lucas  
Attorney, Agent, or Firm—Bacon & Thomas

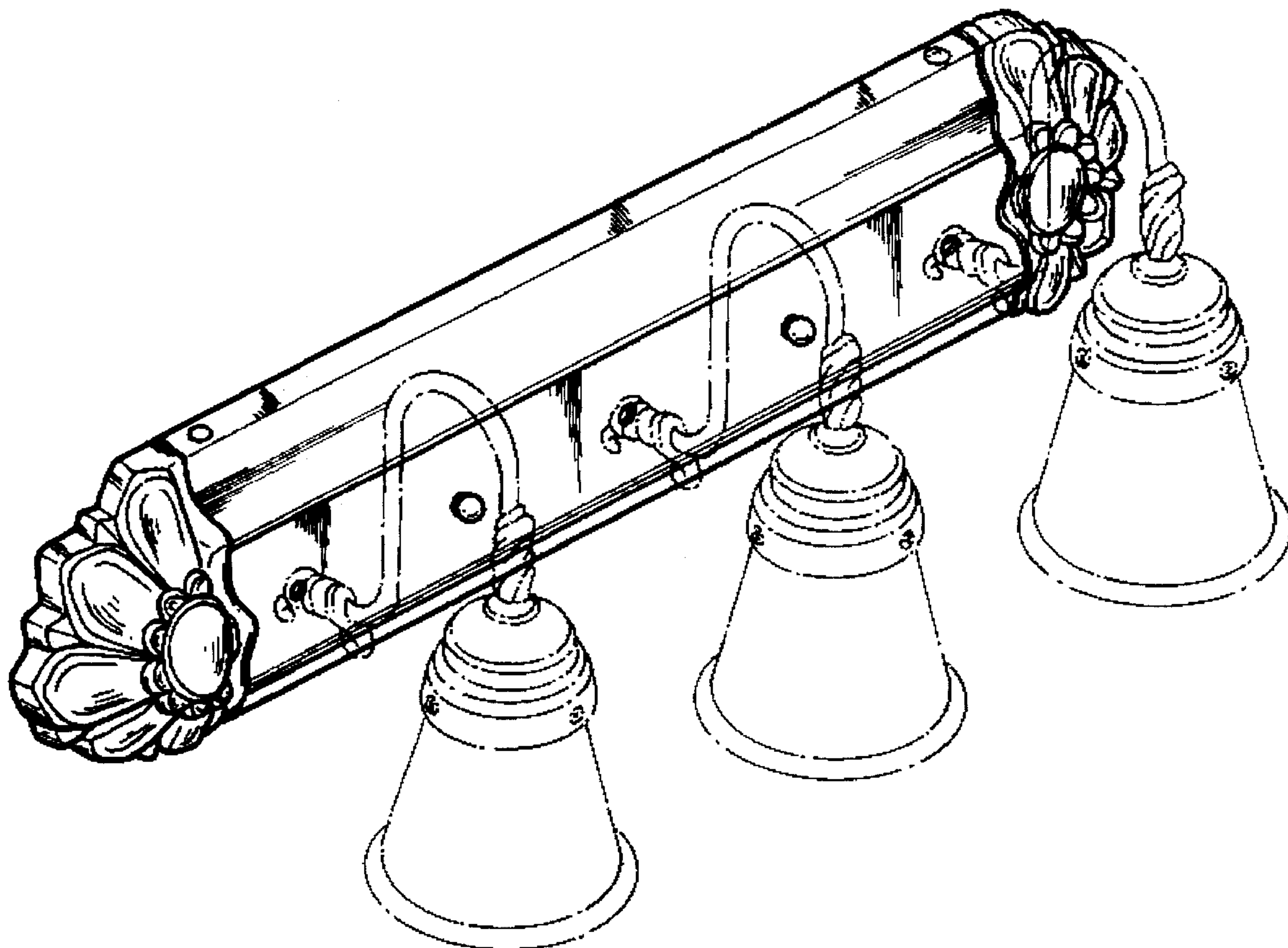
### [57] CLAIM

The ornamental design for a wall fixture mounting base, as shown and described.

### DESCRIPTION

FIG. 1 is a perspective view of a wall fixture mounting base showing my design;  
 FIG. 2 is a front elevational view thereof;  
 FIG. 3 is a rear elevational view thereof;  
 FIG. 4 is a left side elevational view thereof;  
 FIG. 5 is a right side elevational view thereof;  
 FIG. 6 is a top plan view thereof;  
 FIG. 7 is a bottom plan view thereof; and,  
 FIG. 8 is a perspective view showing the wall fixture mounting base and three lamp holders shown in dotted line, for illustrative purposes only.

1 Claim, 4 Drawing Sheets



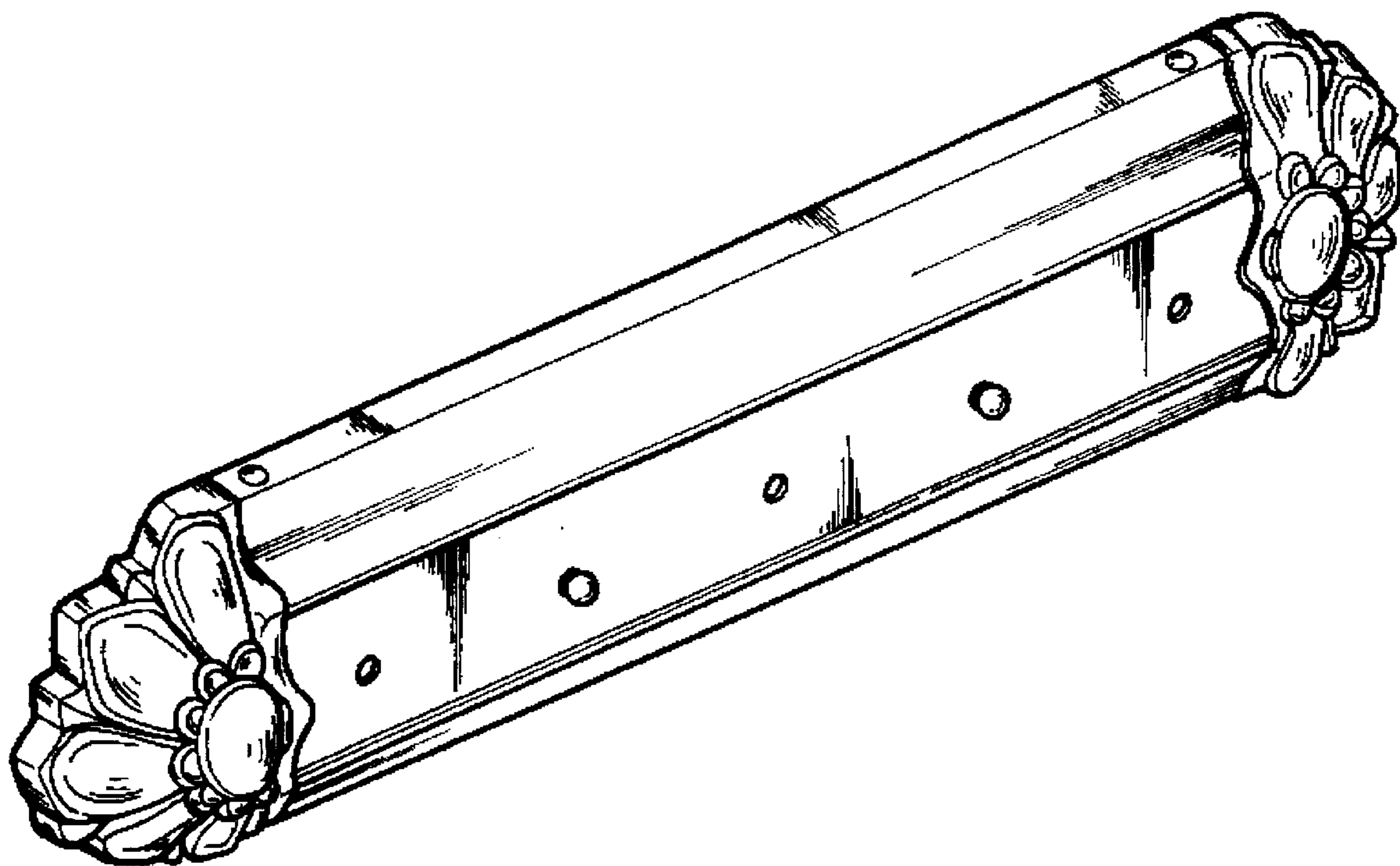


FIG. 1

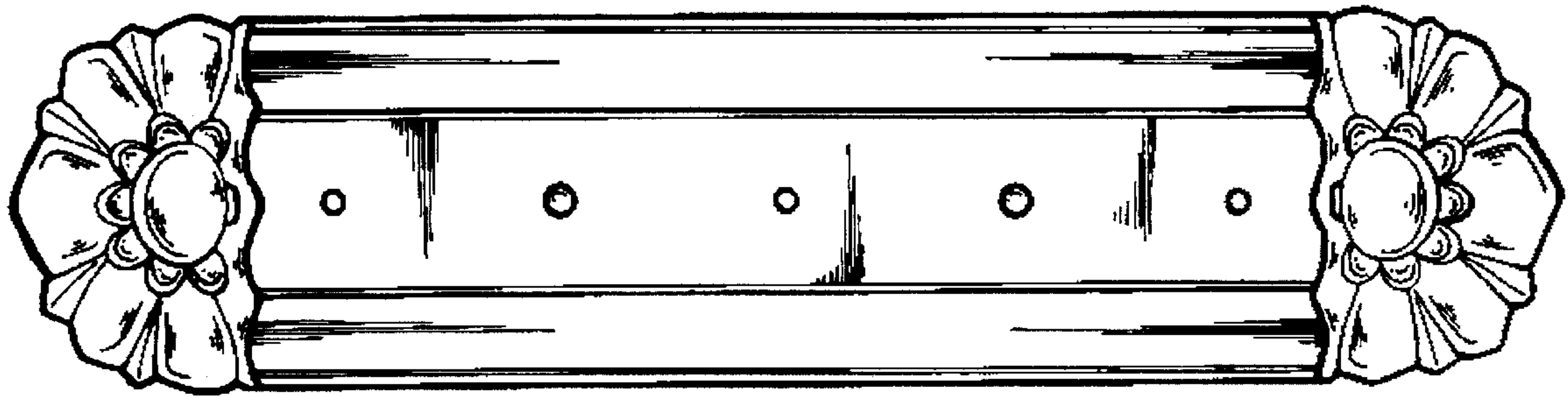


FIG. 2

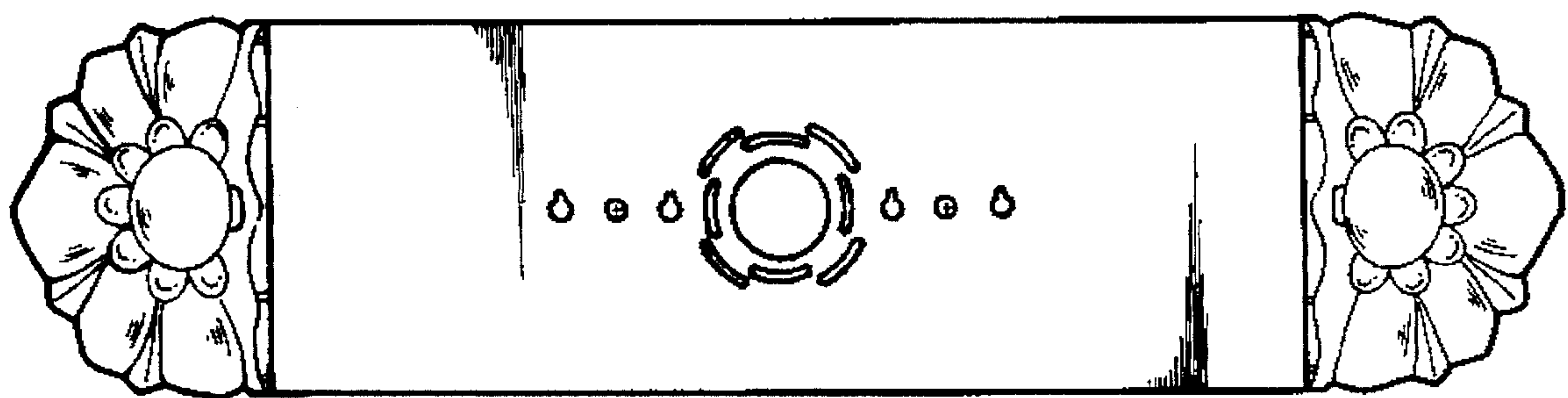


FIG. 3



FIG. 4

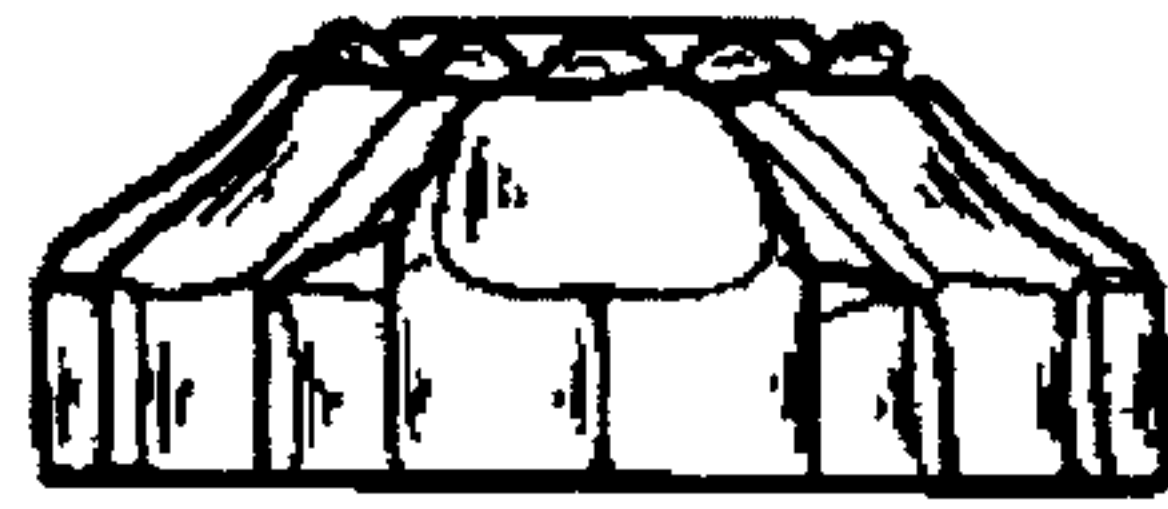


FIG. 5

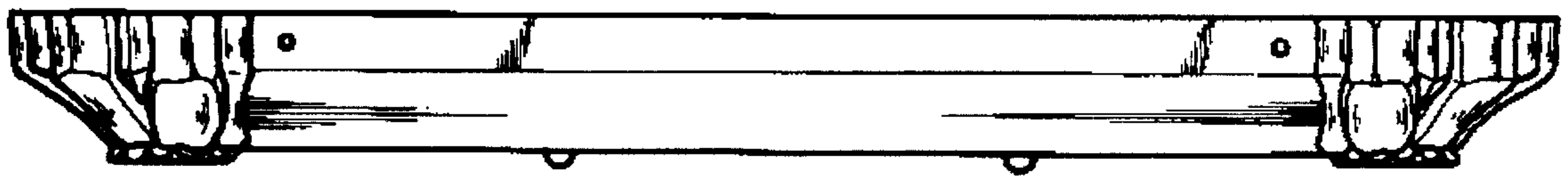


FIG. 6

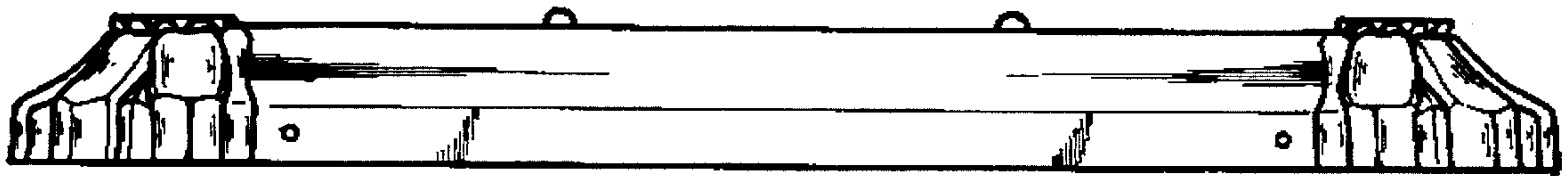


FIG. 7

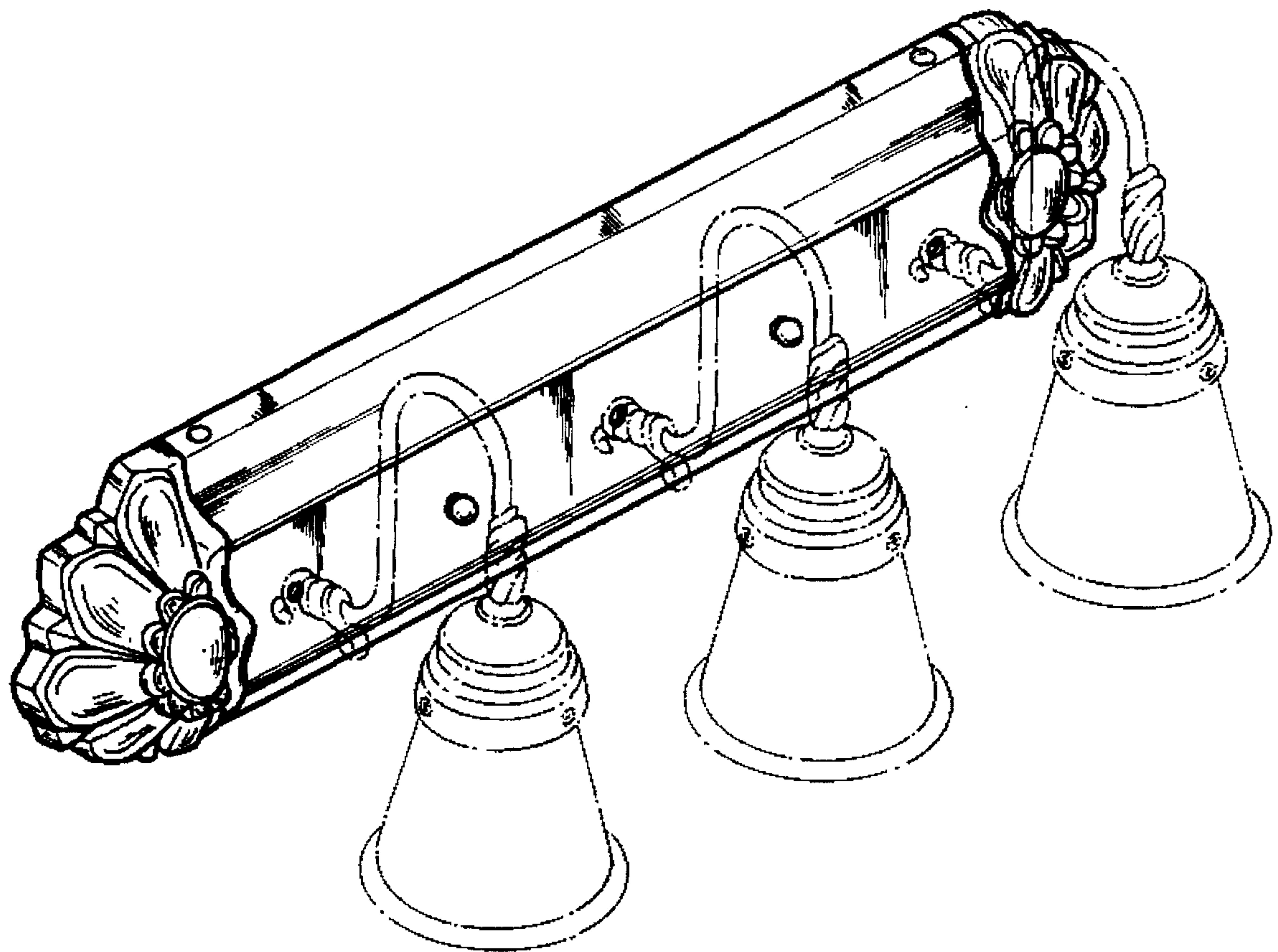


FIG. 8