



US00D372552S

United States Patent [19]

Porter

[11] Patent Number: **Des. 372,552**

[45] Date of Patent: ****Aug. 6, 1996**

[54] **CHANDELIER**

[75] Inventor: **David H. Porter**, Chagrin Falls, Ohio

[73] Assignee: **The L.D. Kichler Co.**, Cleveland, Ohio

[**] Term: **14 Years**

[21] Appl. No.: **39,334**

[22] Filed: **May 24, 1995**

[52] U.S. Cl. **D26/81**

[58] Field of Search **D26/72, 80-86, D26/88, 89, 90; 362/147, 404-408**

[56] **References Cited**

U.S. PATENT DOCUMENTS

D. 357,994 5/1995 Dolan **D26/81**

OTHER PUBLICATIONS

Elgee Lighting Catalog, 1991, p. 12, Chandelier #210-W.
Kichler Lighting Cataog, Jul. 1993, p. 89, printed U.S.

Primary Examiner—Susan J. Lucas

Attorney, Agent, or Firm—Watts, Hoffmann, Fisher & Heinke

[57] **CLAIM**

The ornamental design for a chandelier, as shown and described.

DESCRIPTION

FIG. 1 is a perspective view of a chandelier showing my new design;

FIG. 2 is a right side elevational view of the chandelier, the left side elevational view being a mirror image;

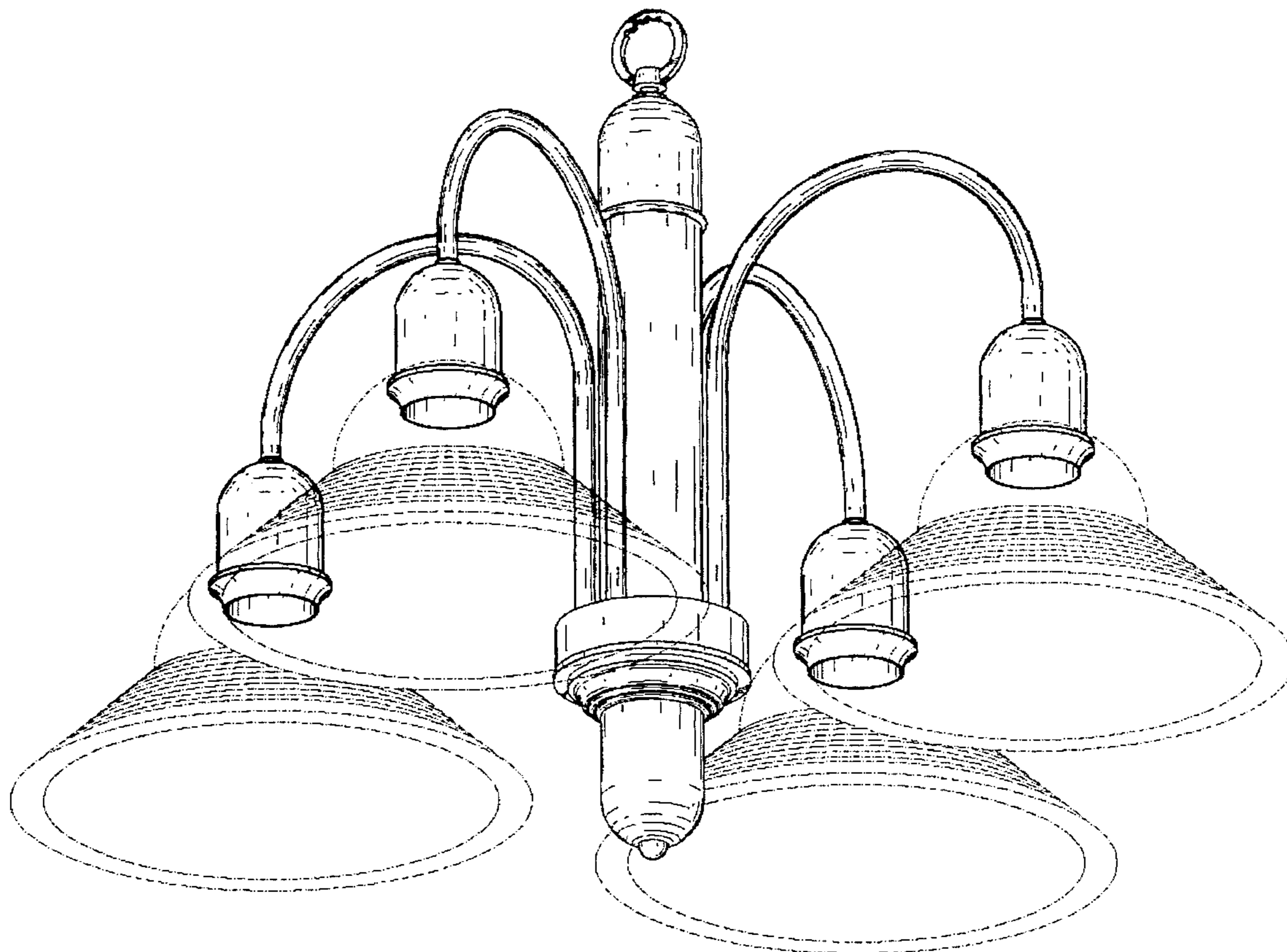
FIG. 3 is a front elevational view of the chandelier, the rear elevational view being a mirror image;

FIG. 4 is a top plan view of the chandelier; and,

FIG. 5 is a bottom plan view of the chandelier.

The broken lines showing of the chandelier shades is for illustrative purposes only and forms no part of the claimed design.

1 Claim, 5 Drawing Sheets



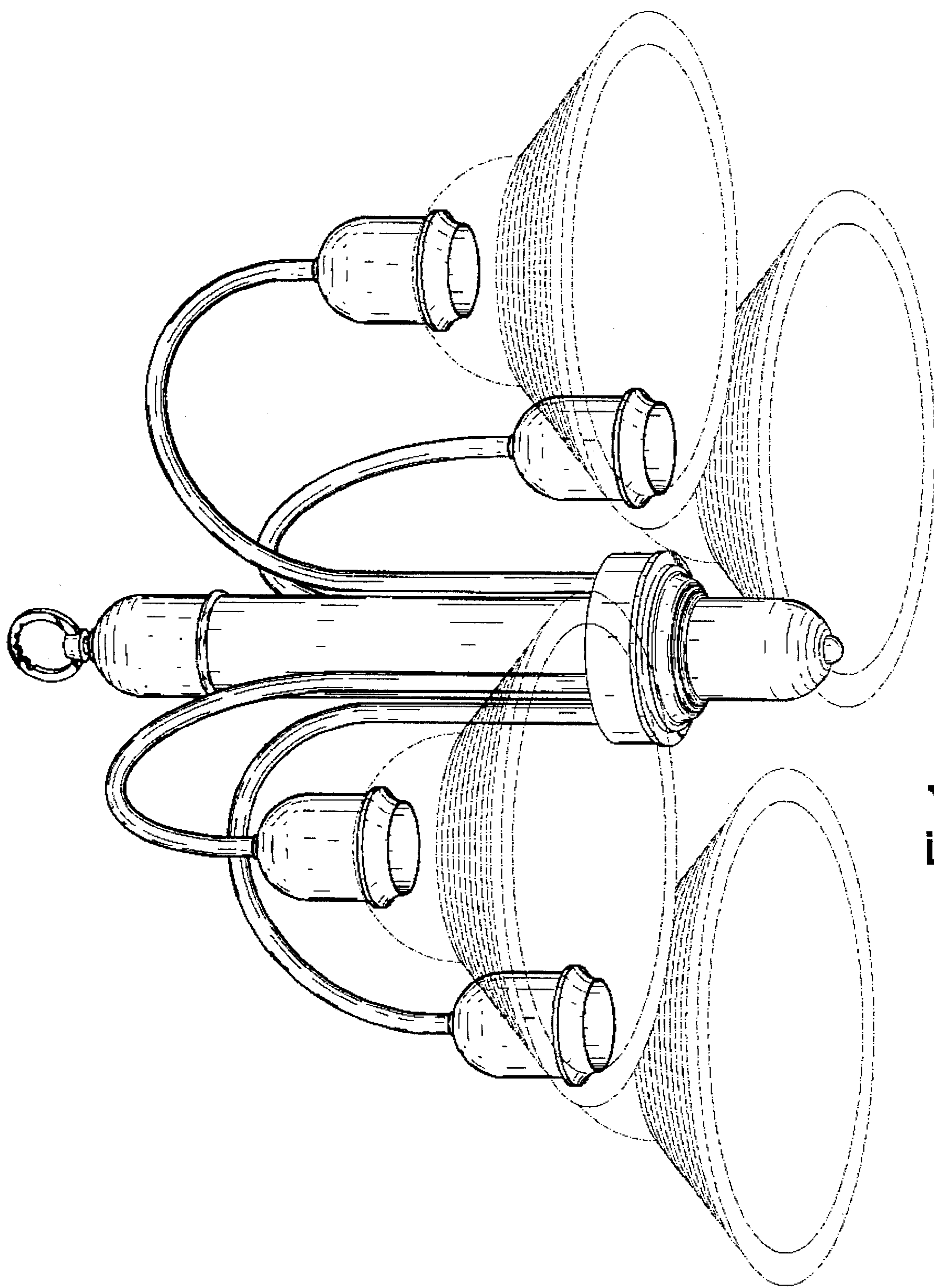


Fig.1

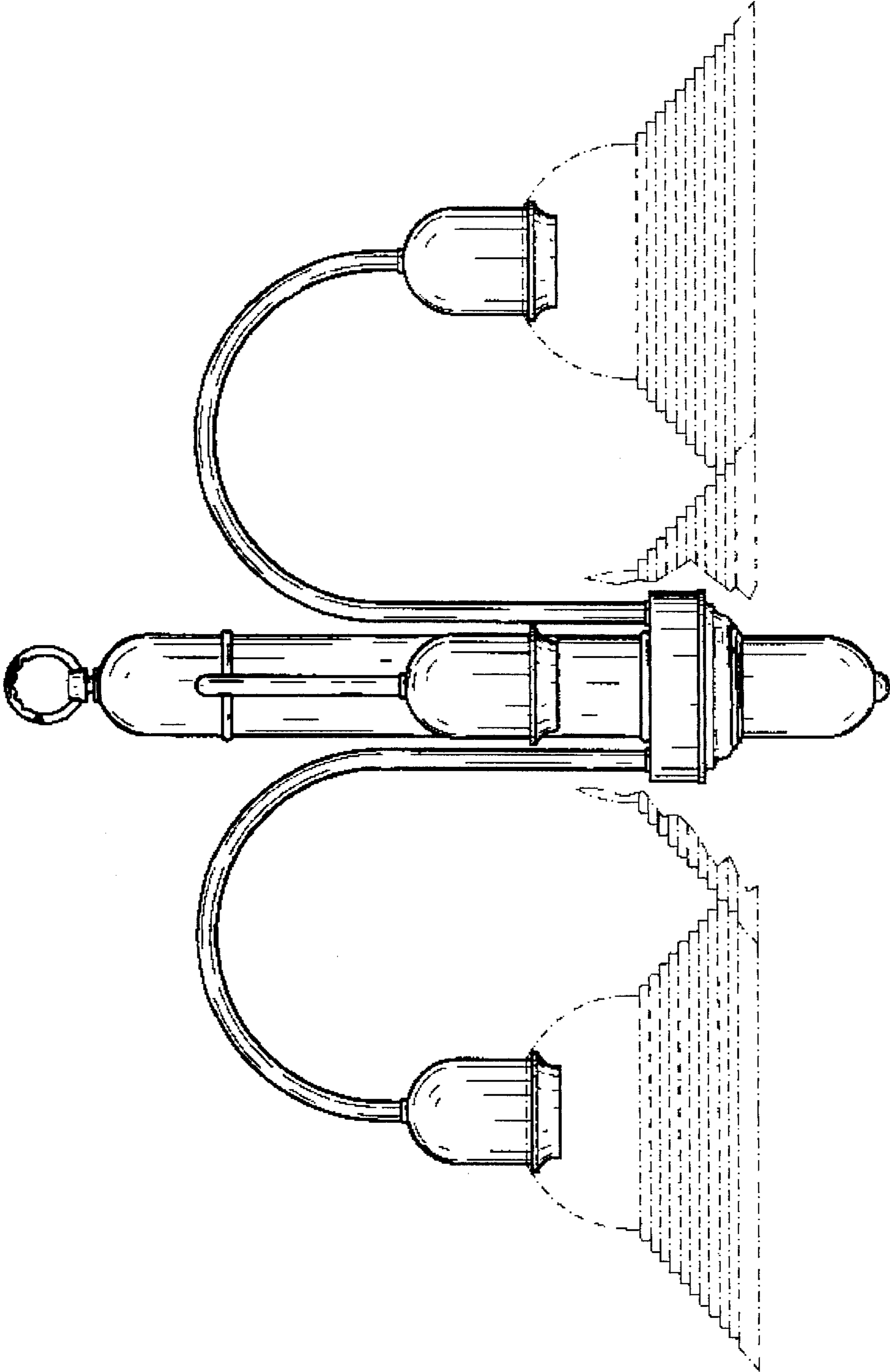


Fig. 2

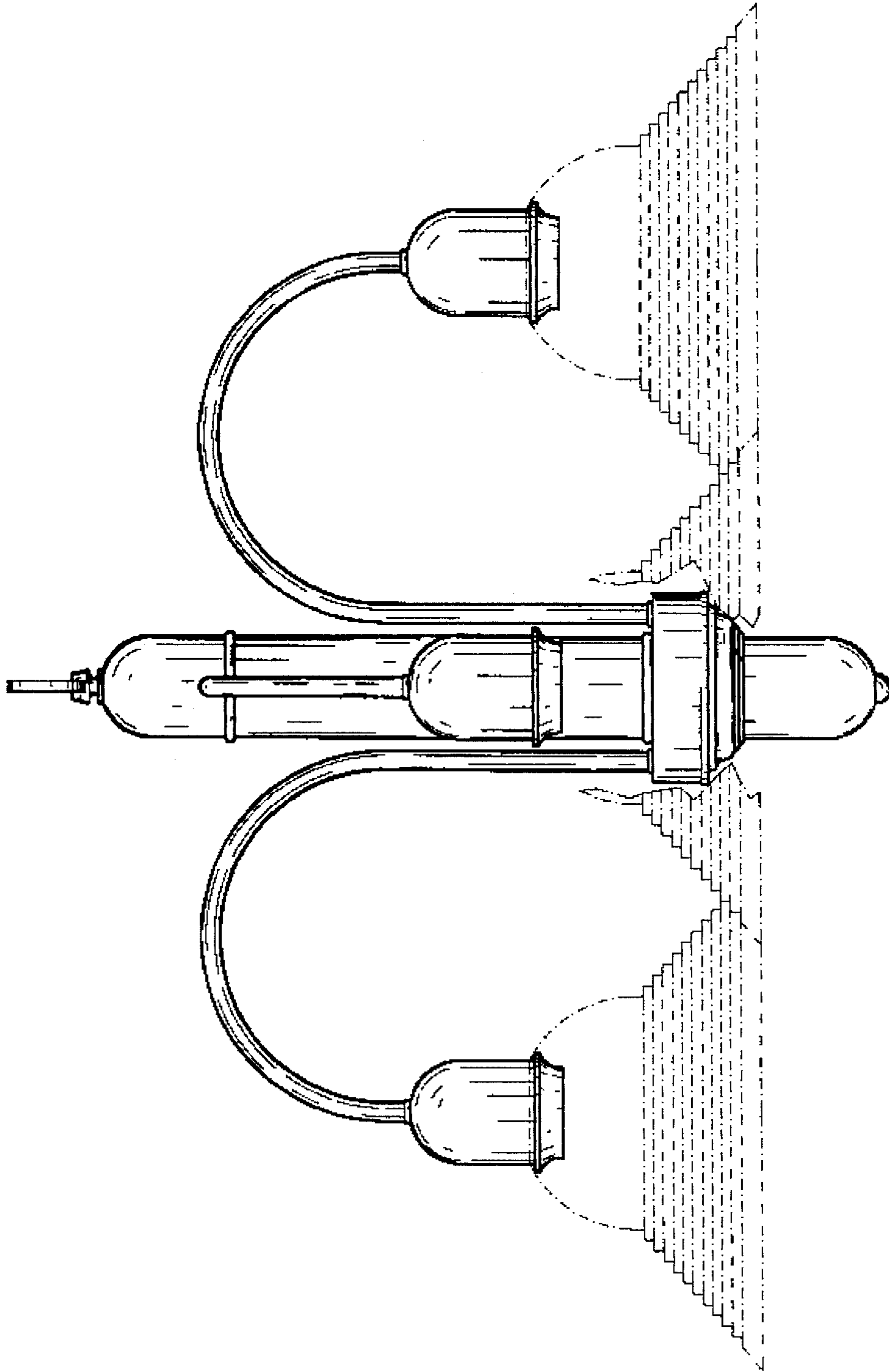


Fig. 3

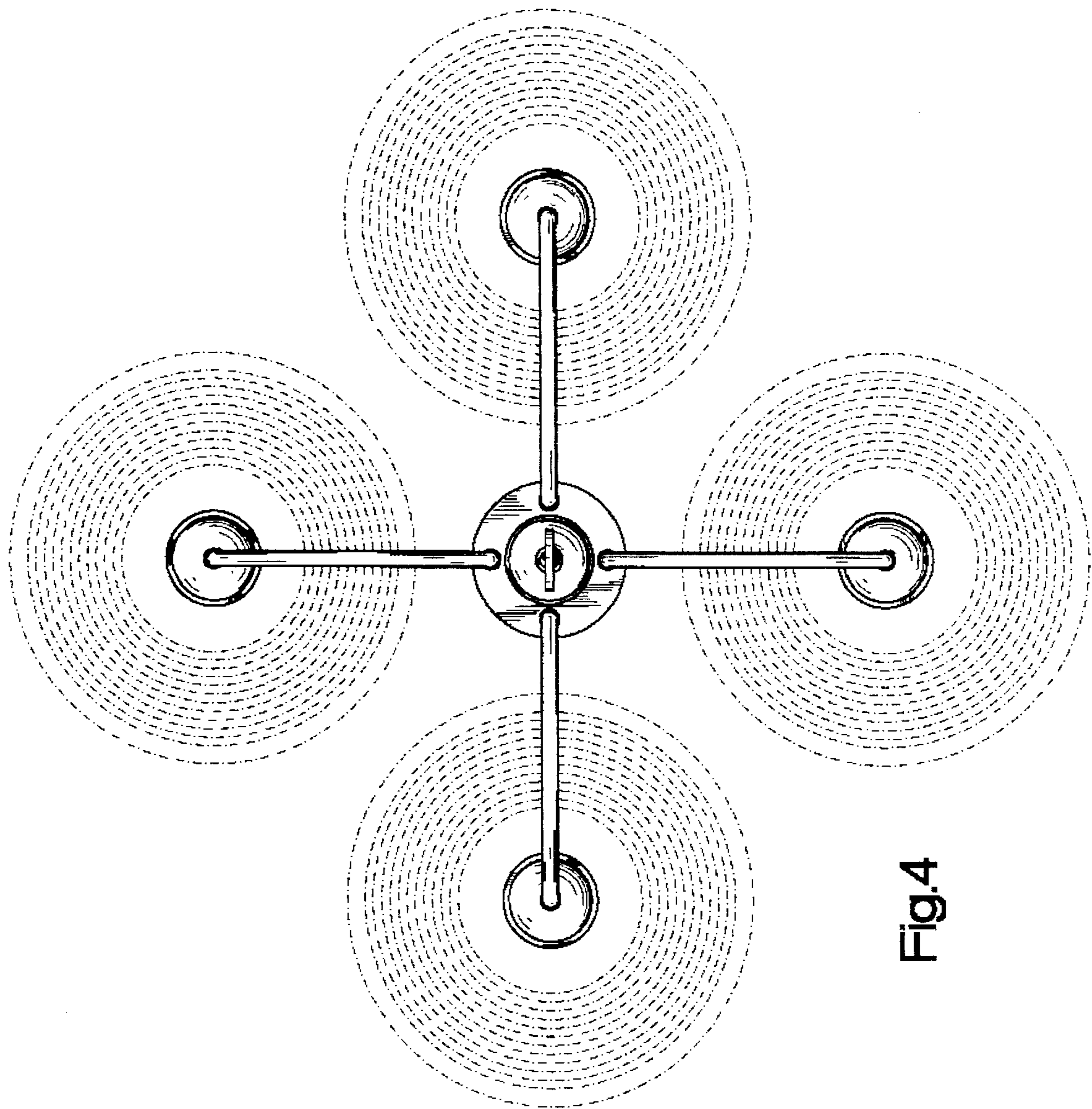


Fig.4

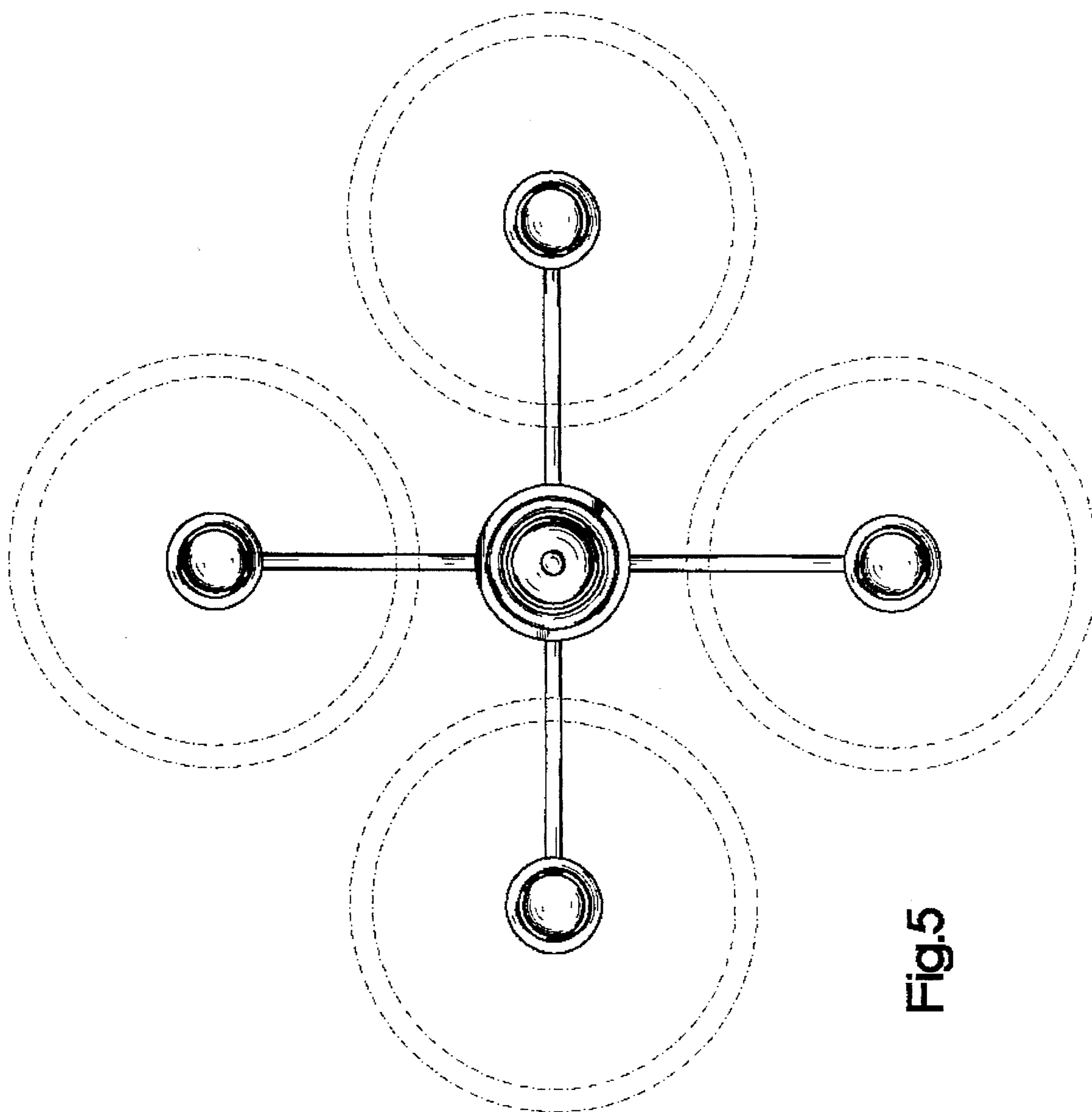


Fig.5