



US00D372551S

**United States Patent** [19]

[11] **Patent Number: Des. 372,551**

**Dolan**

[45] **Date of Patent: \*\*Aug. 6, 1996**

[54] **CHANDELIER**

Model #K-2375, Catalog 793, p. 36 Kichler Lighting 7711 E. Pleasant Valley Rd. Cleveland, OH 44131.

[76] Inventor: **Patrick S. Dolan**, 1901 NW. Upshur St., Portland, Oreg. 97209

Model 3156, Catalog No. 8, 1982, p. 57 Fredrick Ramond, Inc. 16121 Carmenita Rd. Cerritos, CA 90701.

[\*\*] Term: **14 Years**

*Primary Examiner*—Susan J. Lucas

[21] Appl. No.: **33,060**

[57] **CLAIM**

[22] Filed: **Jan. 4, 1995**

The ornamental design for a chandelier, as shown and described.

[52] U.S. Cl. .... **D26/81**

[58] Field of Search ..... D26/72, 80-92;  
362/147, 404-408

**DESCRIPTION**

[56] **References Cited**

**U.S. PATENT DOCUMENTS**

D. 257,996 5/1995 Dolan ..... D26/86  
1,680,094 8/1928 Doane ..... 362/405

FIG. 1 is a side perspective view thereof;

FIG. 2 is a side view in elevation thereof;

FIG. 3 is a top plan view thereof;

FIG. 4 is a bottom plan view thereof;

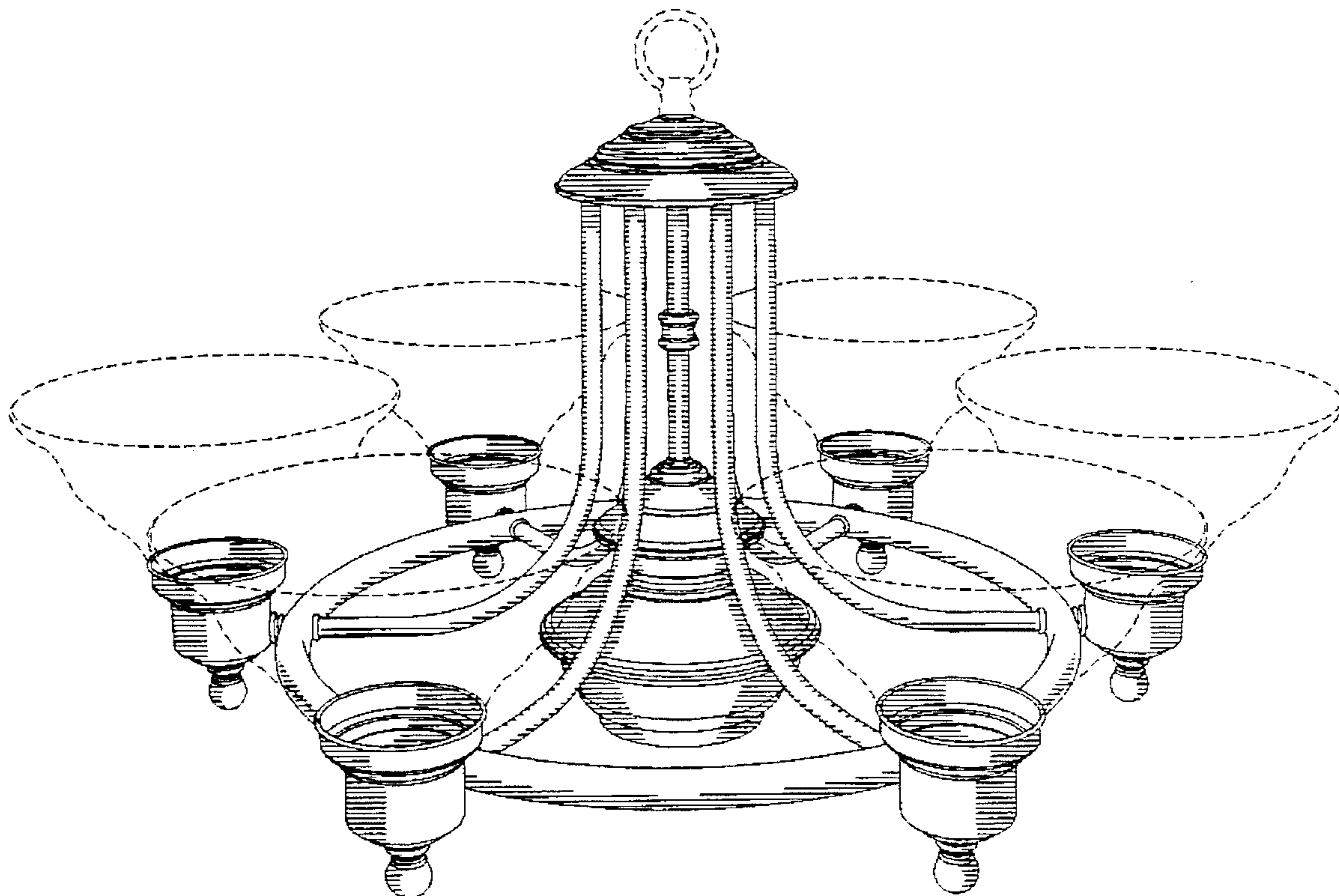
The broken lines shown in the drawing are environmental only and form no part of the claimed design.

**OTHER PUBLICATIONS**

Sea Gull Lighting, Catalog, ©1987, p. 23, Chandelier with Downlight #3307-02.

Thomas Lighting Catalog, 1988, p. 46, Chandelier with down light M-22551.

**1 Claim, 4 Drawing Sheets**



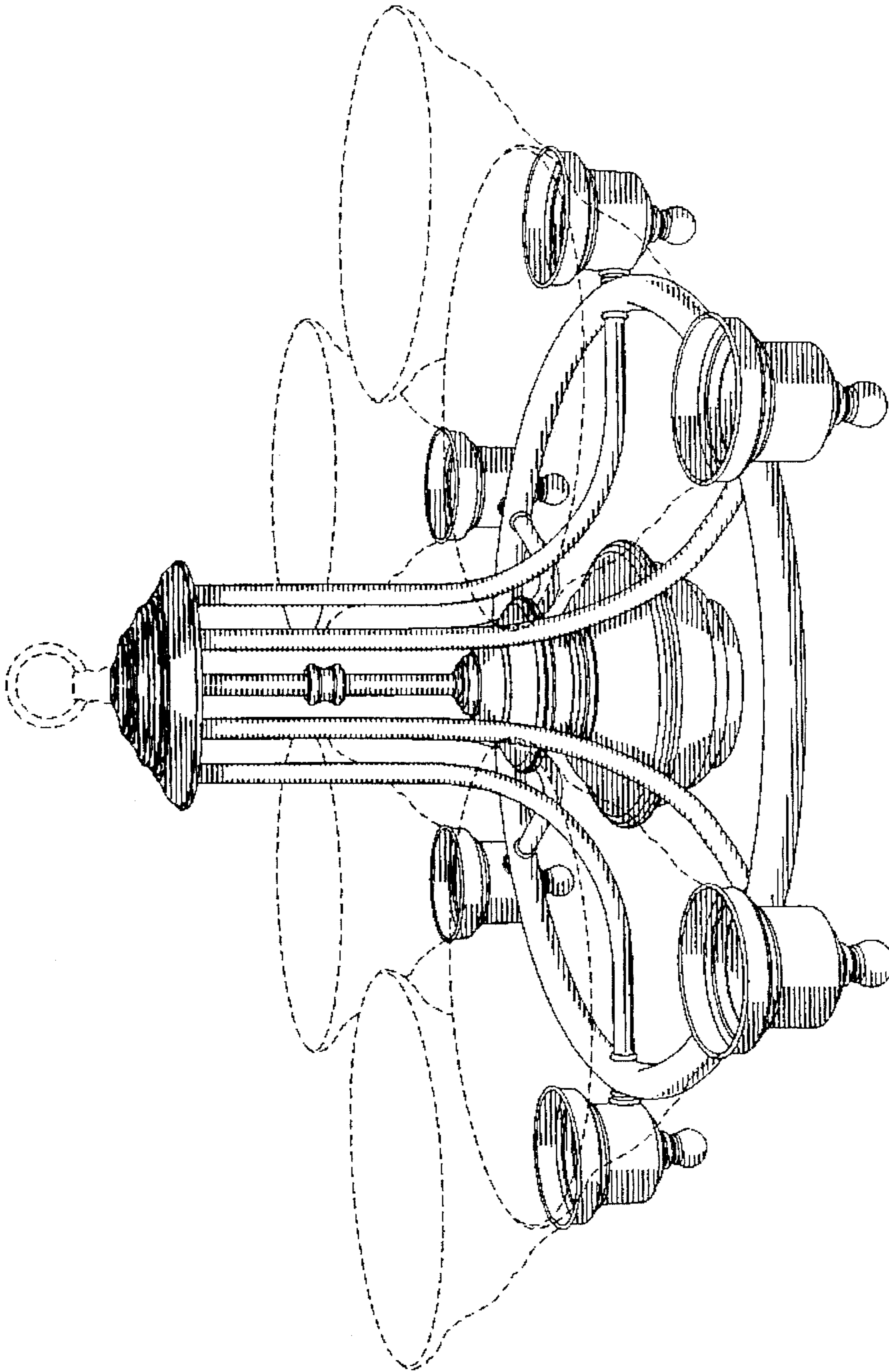


fig. 1

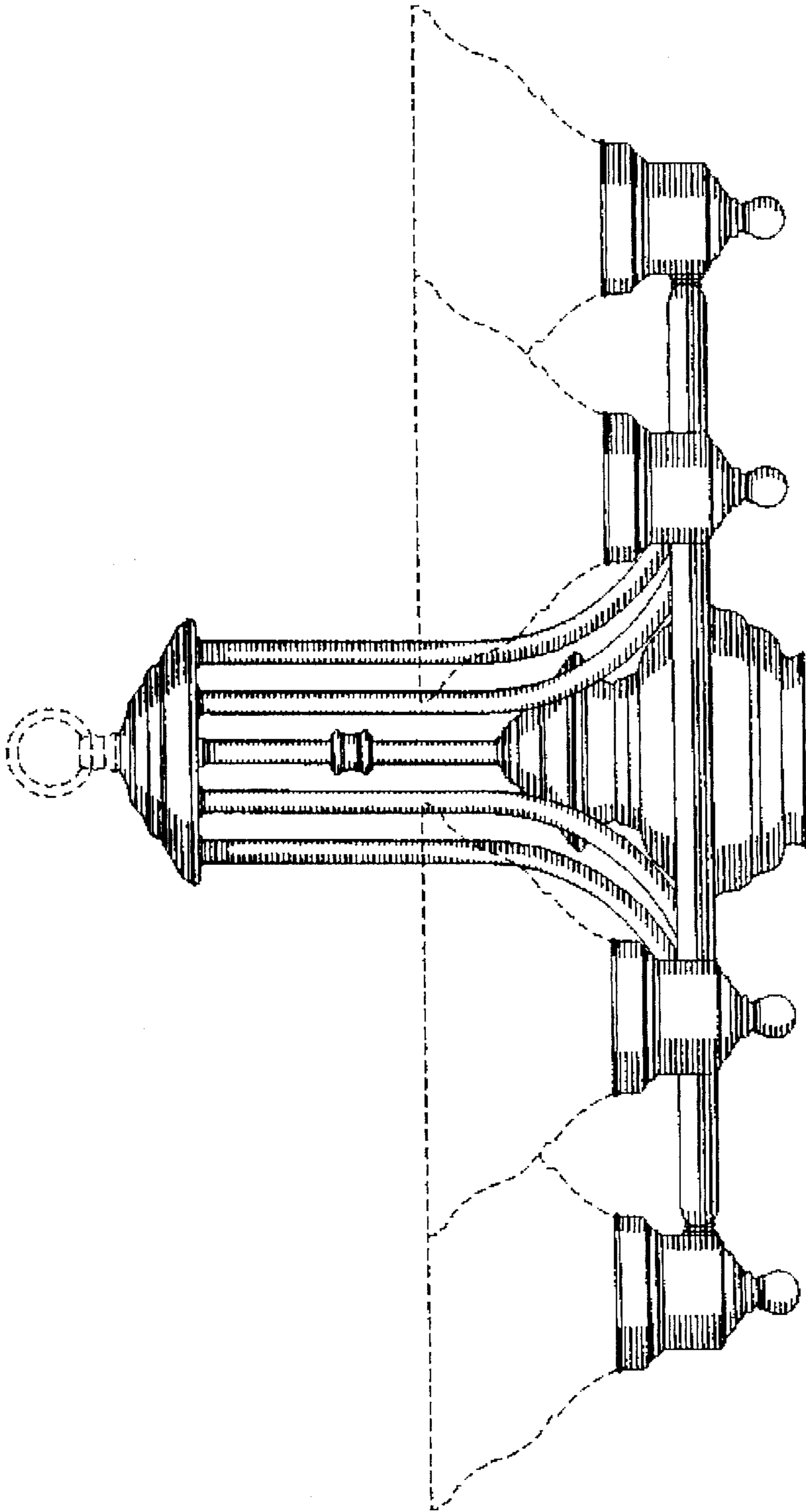


fig. 2

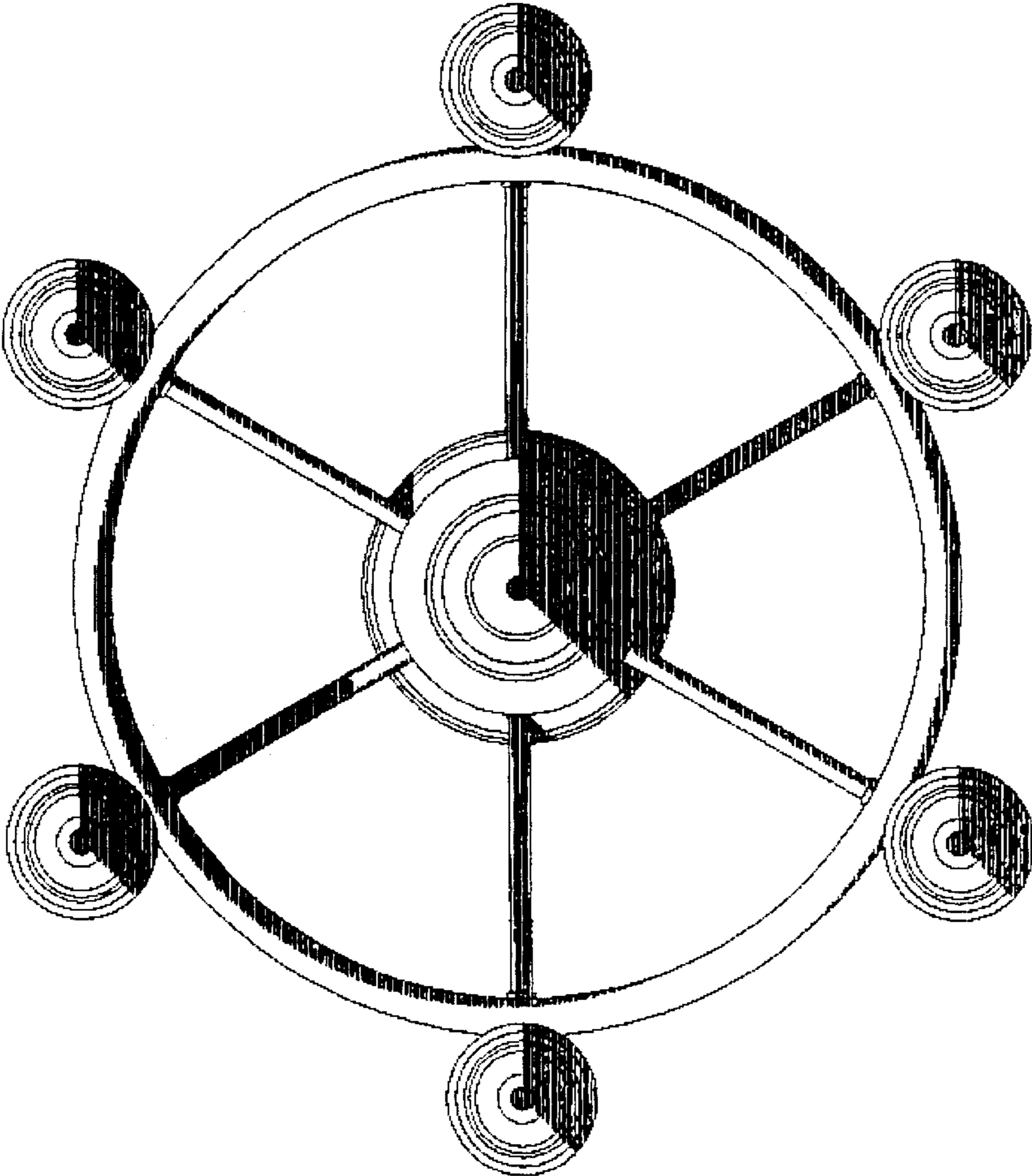
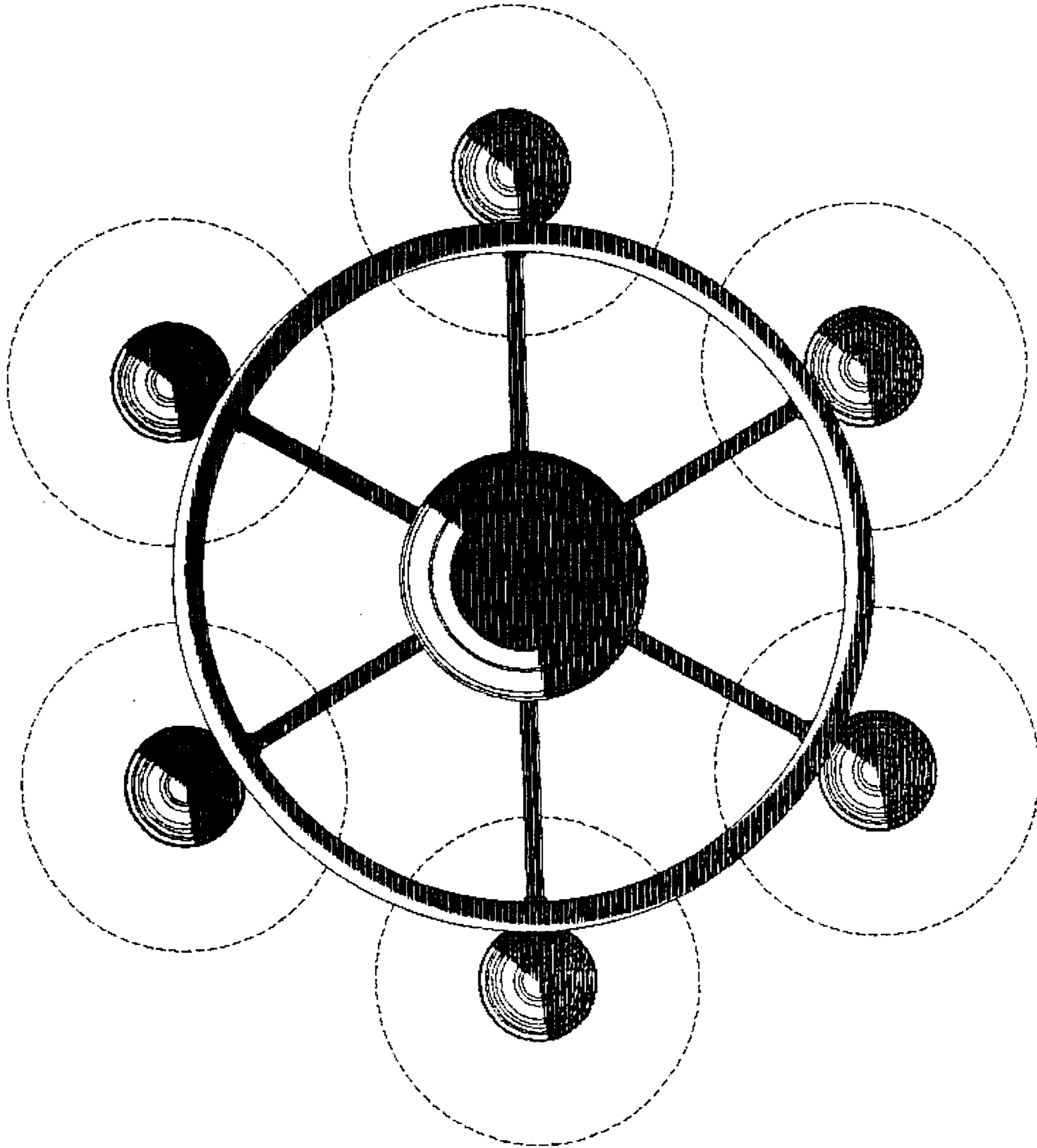


fig.3



**fig.4**