



US00D372550S

United States Patent [19]
Stultz

[11] **Patent Number:** **Des. 372,550**
[45] **Date of Patent:** ****Aug. 6, 1996**

[54] **AUTOMATED COLOR MIXING WASH LUMINAIRE**

[75] Inventor: **Mark A. Stultz**, Austin, Tex.

[73] Assignee: **High End Systems, Inc.**, Austin, Tex.

[**] Term: **14 Years**

[21] Appl. No.: **46,135**

[22] Filed: **Nov. 7, 1995**

[52] U.S. Cl. **D26/63**

[58] Field of Search D26/61, 63, 65;
362/269, 275, 418, 419, 421, 427, 18, 293

[56] **References Cited**

U.S. PATENT DOCUMENTS

- D. 359,574 6/1995 Bornhorst et al. D26/65
- D. 366,712 1/1996 Hanson et al. D26/63
- 5,176,442 1/1993 Richardson 362/269 X

OTHER PUBLICATIONS

Washlight Brochure—Light & Sound Design.
Washlight Brochure—Vari-Lite.

Primary Examiner—Susan J. Lucas

Attorney, Agent, or Firm—James R. Bell

[57] **CLAIM**

The ornamental design for an automated color mixing wash luminaire, as shown and described.

DESCRIPTION

FIG. 1 is a front perspective view of the automated color mixing wash luminaire of the present invention;
 FIG. 2 is a front view in elevation of the automated color mixing wash luminaire of FIG. 1;
 FIG. 3 is a rear view in elevation of the automated color mixing wash luminaire of FIG. 1;
 FIG. 4 is a side view in elevation of the automated color mixing wash luminaire of FIG. 1 as seen from the right-hand side of FIG. 1;
 FIG. 5 is a bottom plan view of the automated color mixing wash luminaire of FIG. 1;
 FIG. 6 is a side view in elevation of the automated color mixing wash luminaire of FIG. 1 as seen from the left-hand side of FIG. 1; and,
 FIG. 7 is a top plan view of the automated color mixing wash luminaire of FIG. 1.

1 Claim, 4 Drawing Sheets

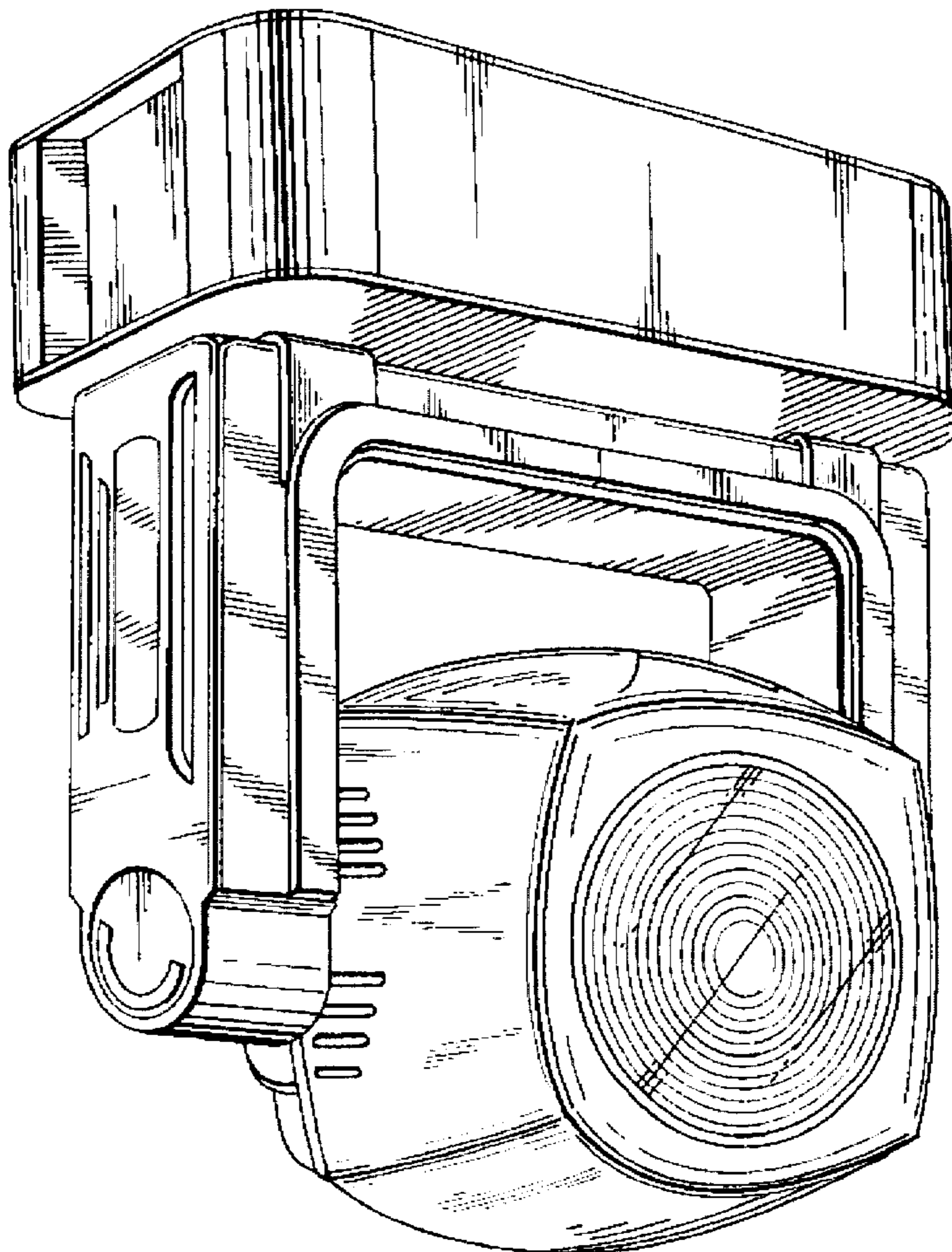
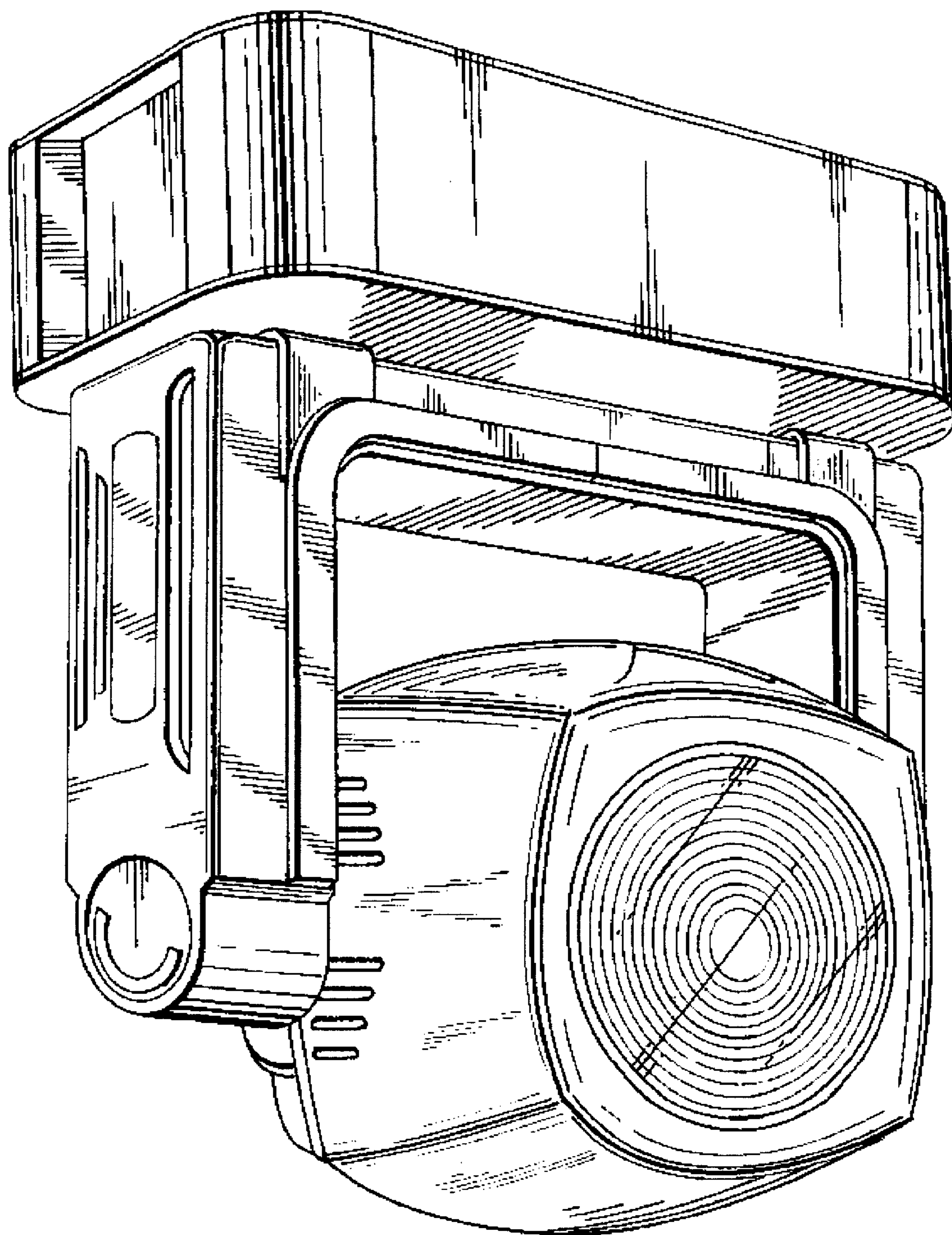


Fig. 1



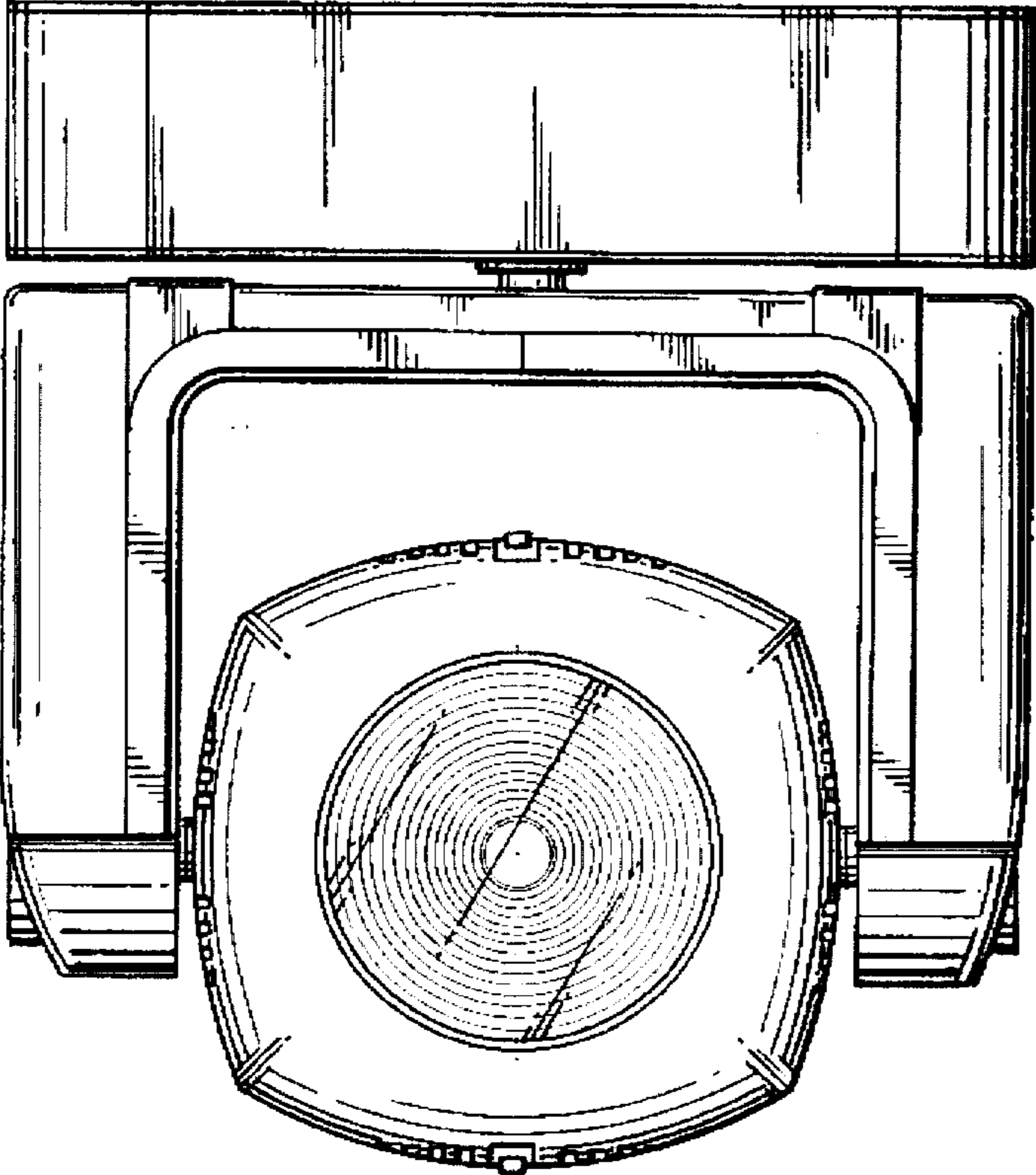


Fig. 2

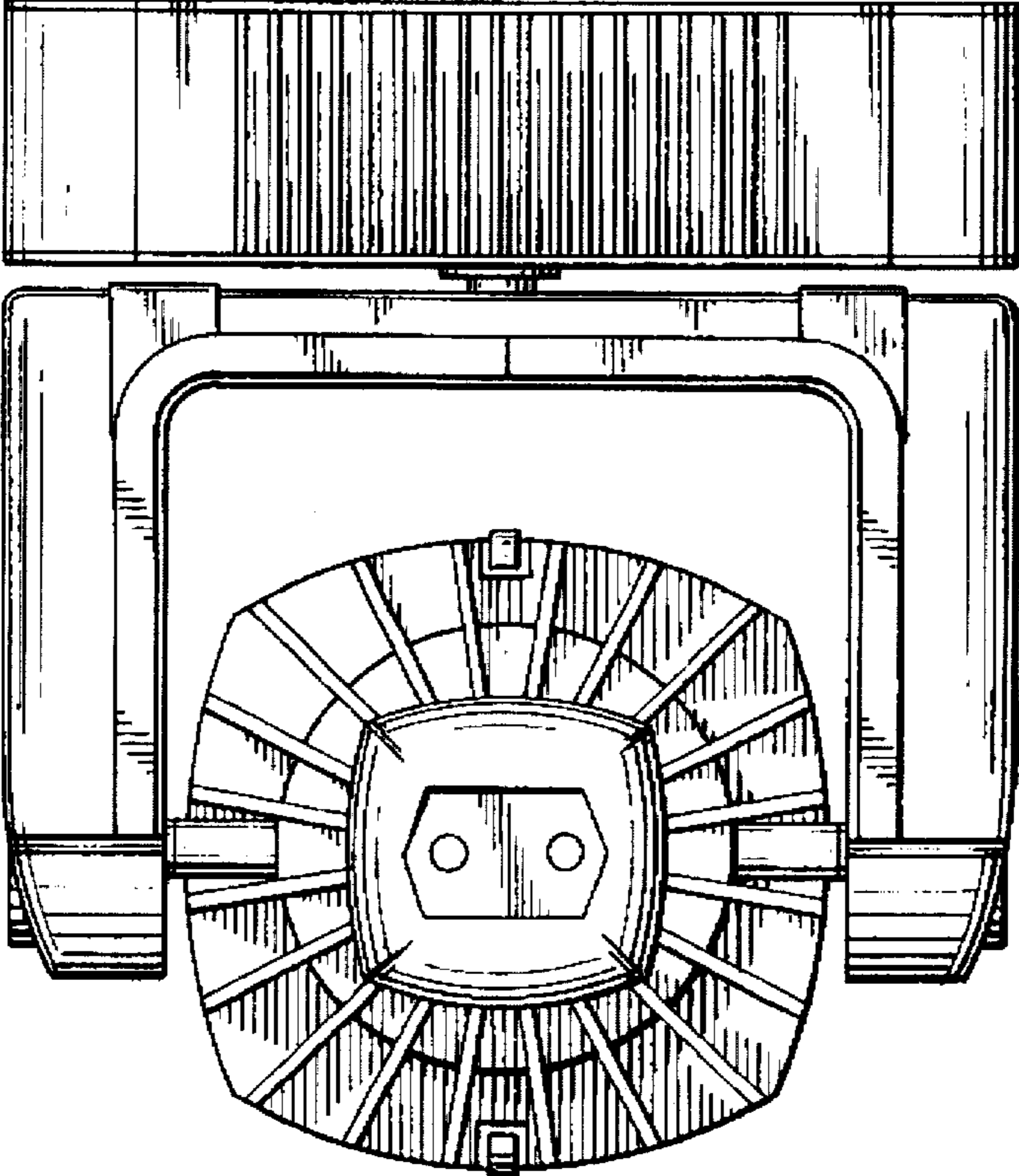


Fig. 3

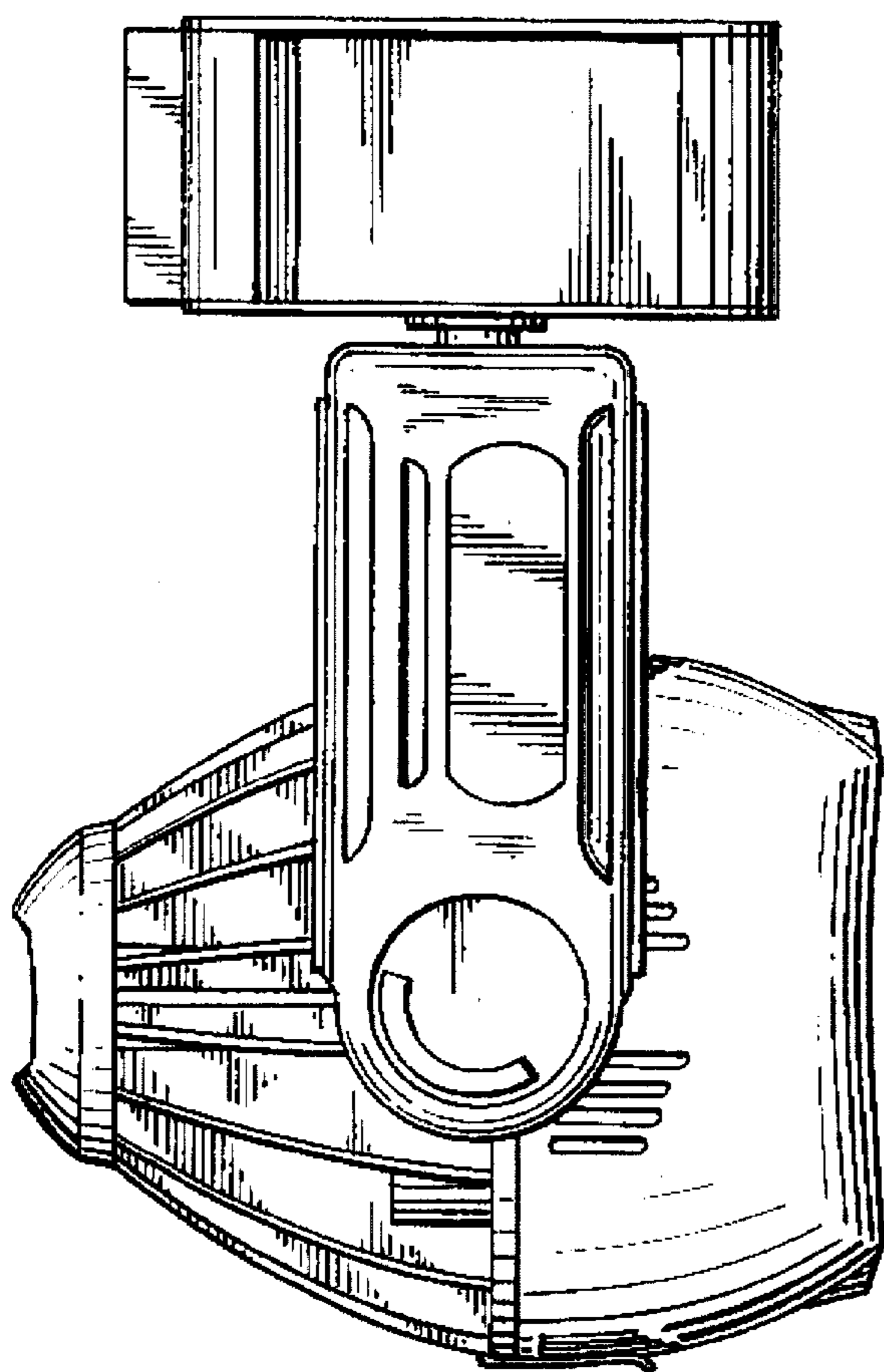
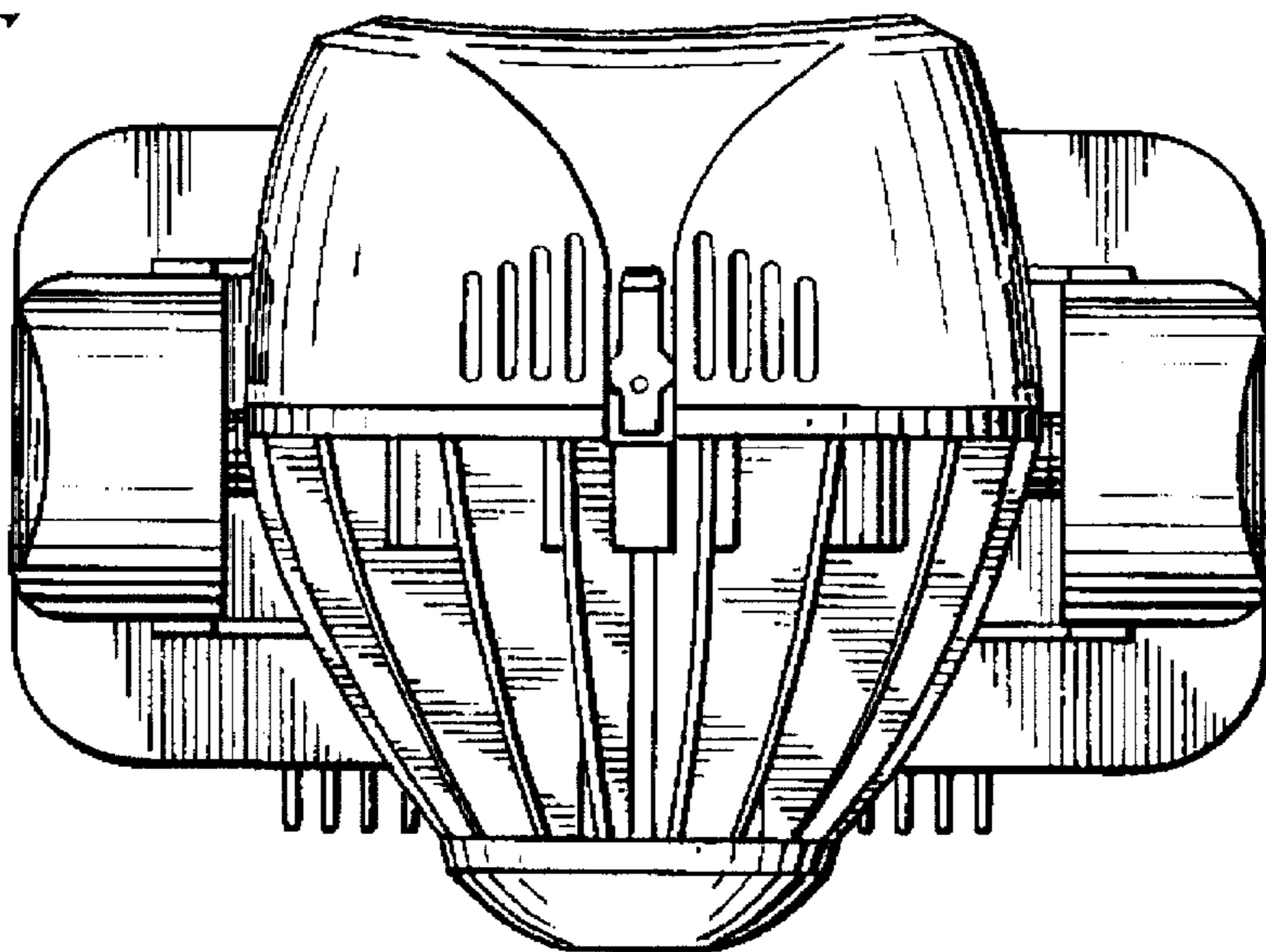


Fig. 4

Fig. 5



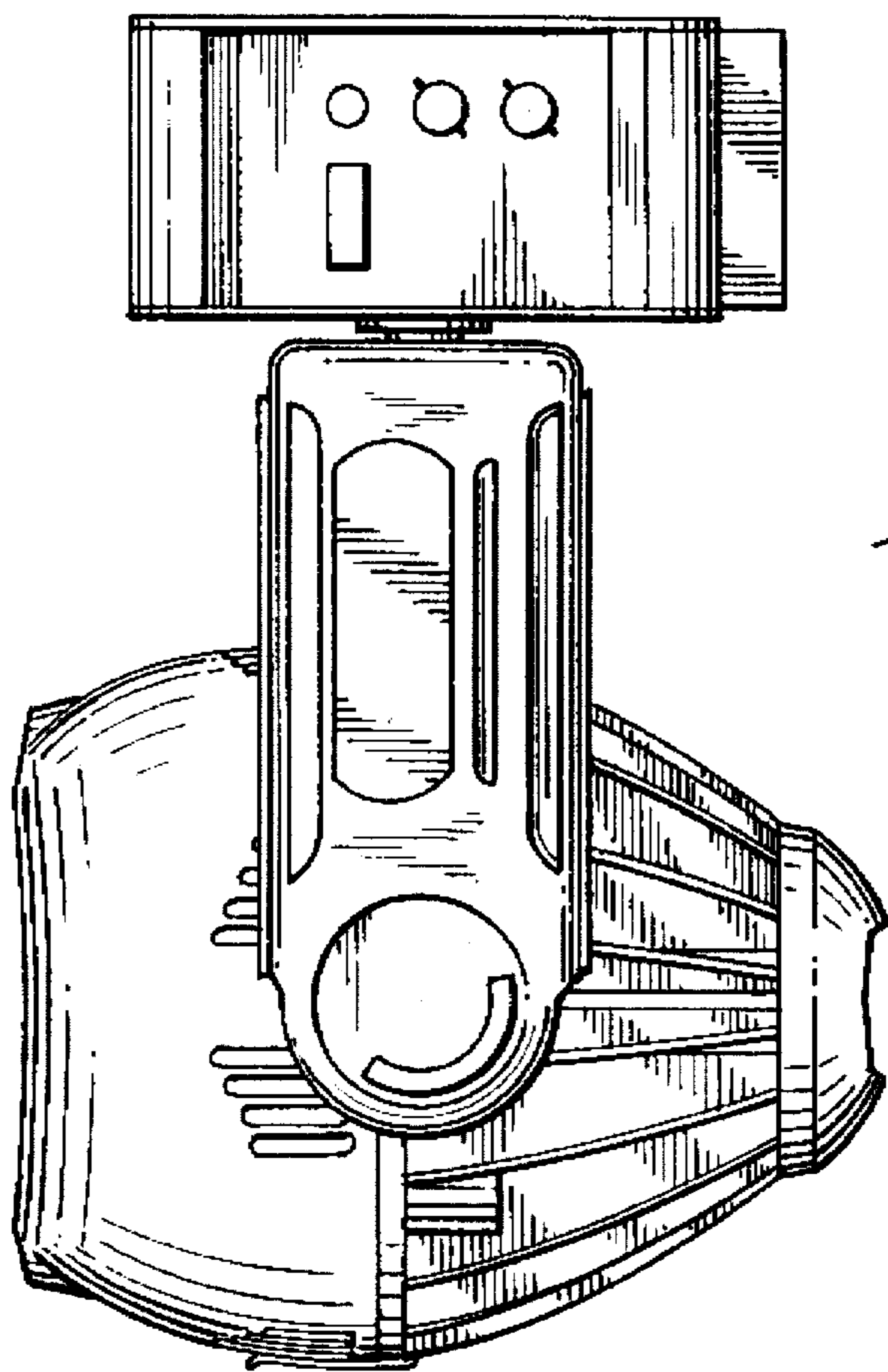


Fig. 6

Fig. 7

