



US00D372549S

United States Patent [19]

[11] Patent Number: **Des. 372,549**

Lo

[45] Date of Patent: ****Aug. 6, 1996**

[54] LANTERN

D. 343,468 1/1994 Yuen D26/44
D. 351,480 10/1994 Bamber et al. D26/39

[75] Inventor: **Kai B. Lo**, Kowloon, Hong Kong

Primary Examiner—A. Hugo Word

[73] Assignee: **Topsa Limited**, Hong Kong

Assistant Examiner—Lavone D. Tabor

[**] Term: **14 Years**

Attorney, Agent, or Firm—Samuels, Gauthier, Stevens & Reppert

[21] Appl. No.: **43,319**

[57] CLAIM

[22] Filed: **Aug. 31, 1995**

The ornamental design for "a lantern," as shown and described.

[52] U.S. Cl. **D26/48**

[58] Field of Search D26/37, 38, 39,
D26/41, 44, 46, 48, 50; 362/157, 158, 200,
201, 202, 204, 205, 207, 208

DESCRIPTION

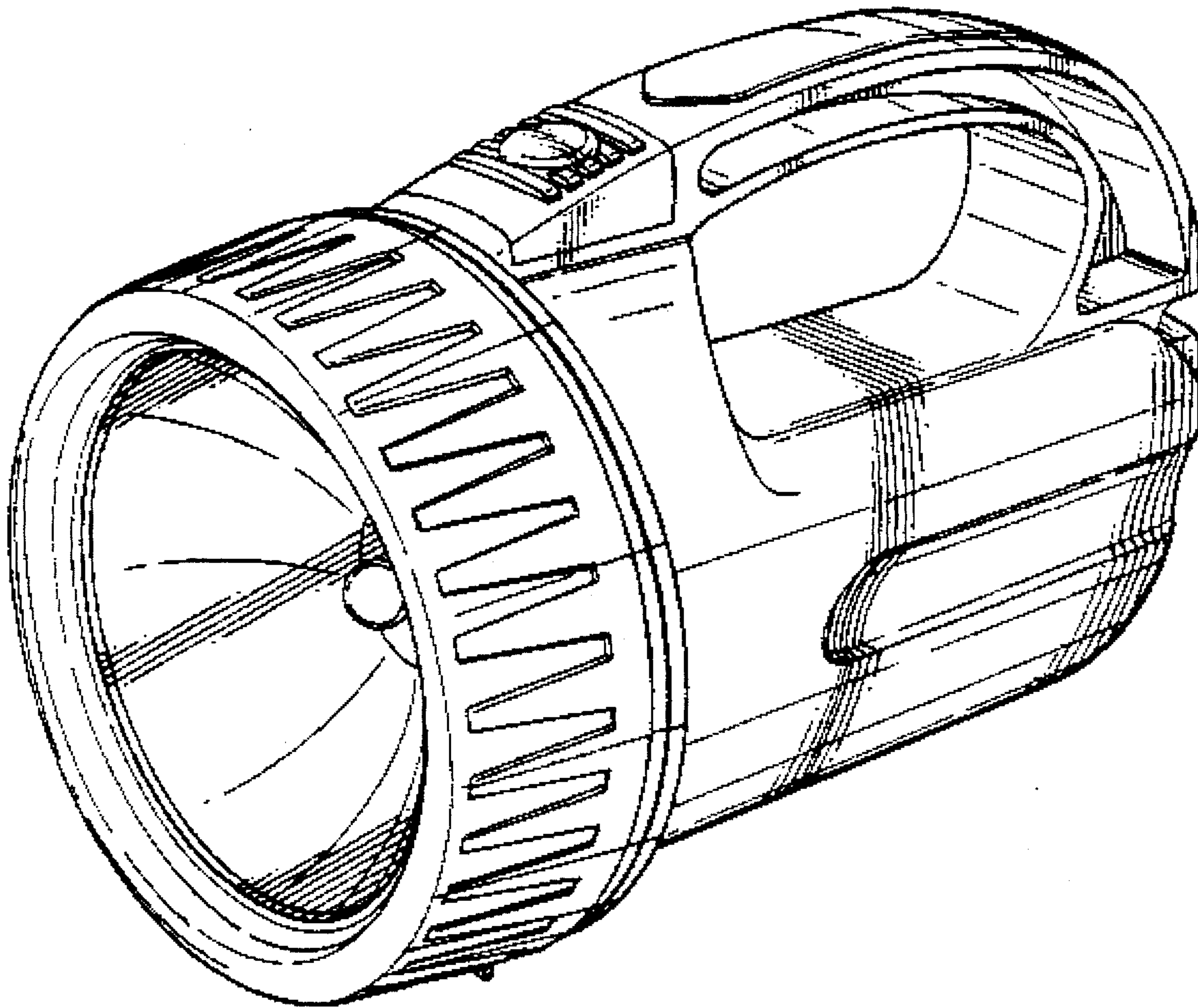
[56] References Cited

U.S. PATENT DOCUMENTS

D. 228,084	8/1973	Beer	D26/48
D. 272,654	2/1984	Ho	D26/48
D. 284,309	6/1986	Schossner et al.	D26/48
D. 290,171	6/1987	Lam	D26/48

FIG. 1 is the perspective view showing my new design;
FIG. 2 is the front view thereof;
FIG. 3 is the back view thereof;
FIG. 4 is the left-hand view thereof;
FIG. 5 is the right-hand view thereof;
FIG. 6 is the top view thereof; and,
FIG. 7 is the bottom view thereof.

1 Claim, 4 Drawing Sheets



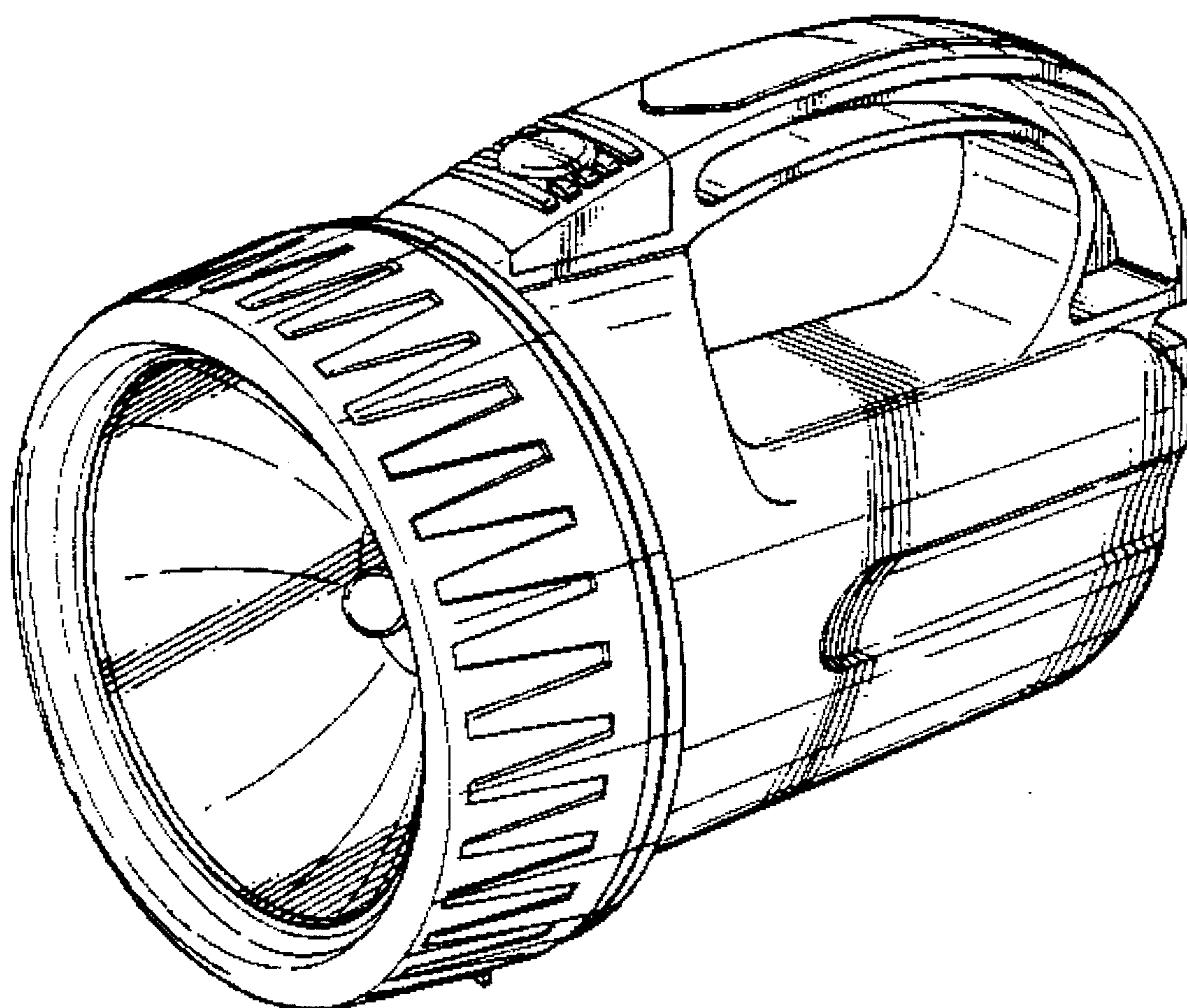


FIG. 1

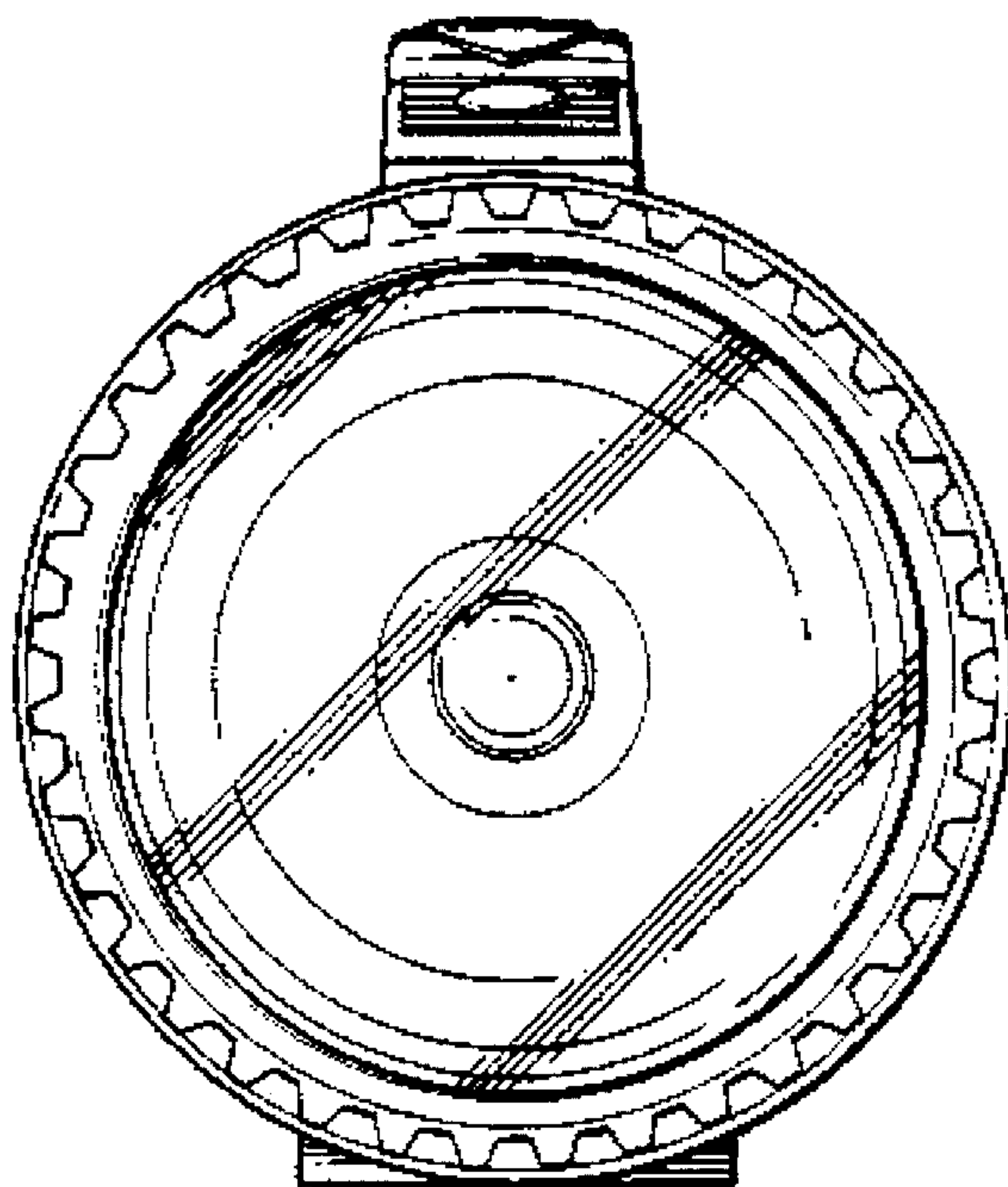


FIG. 2

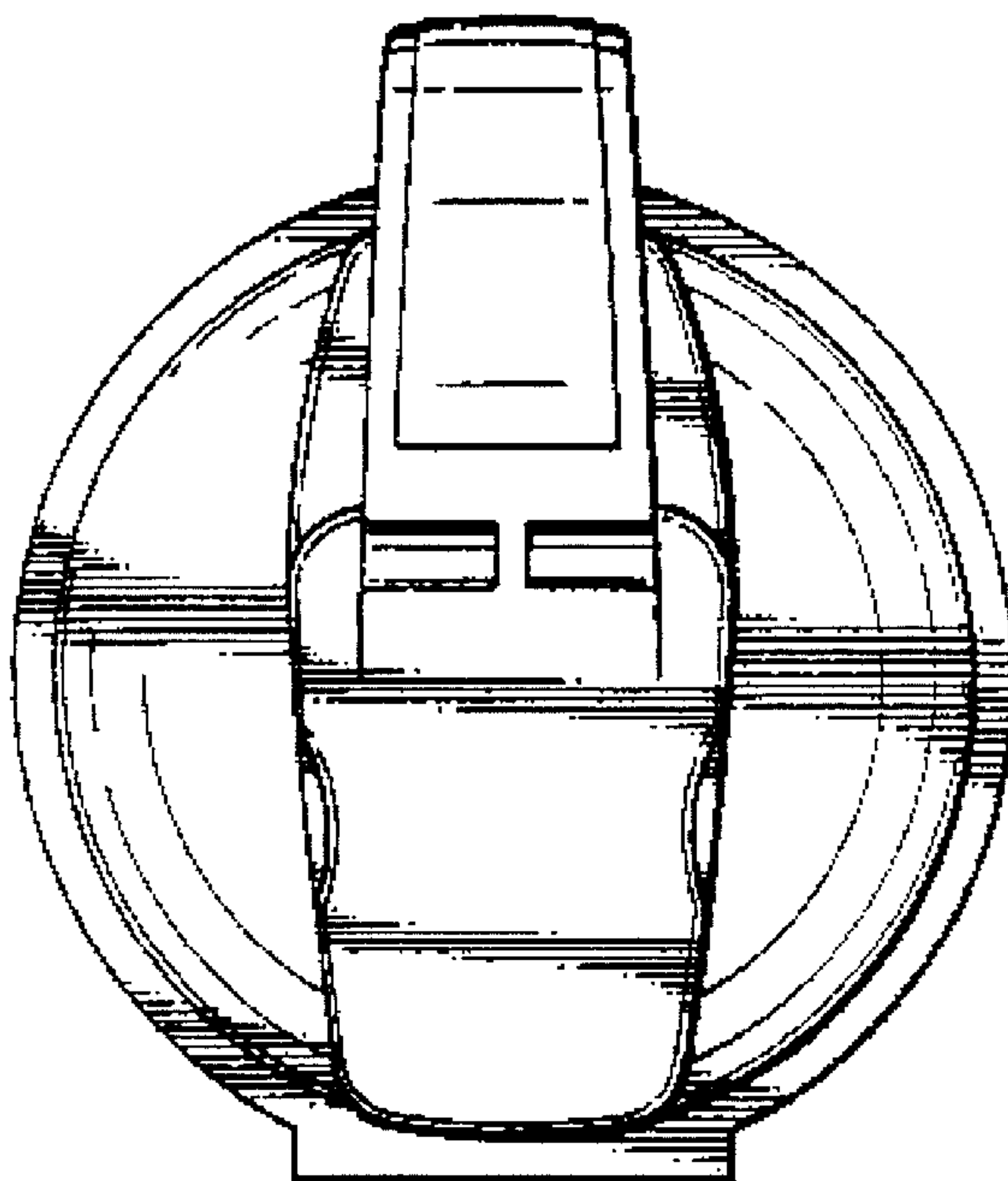


FIG. 3

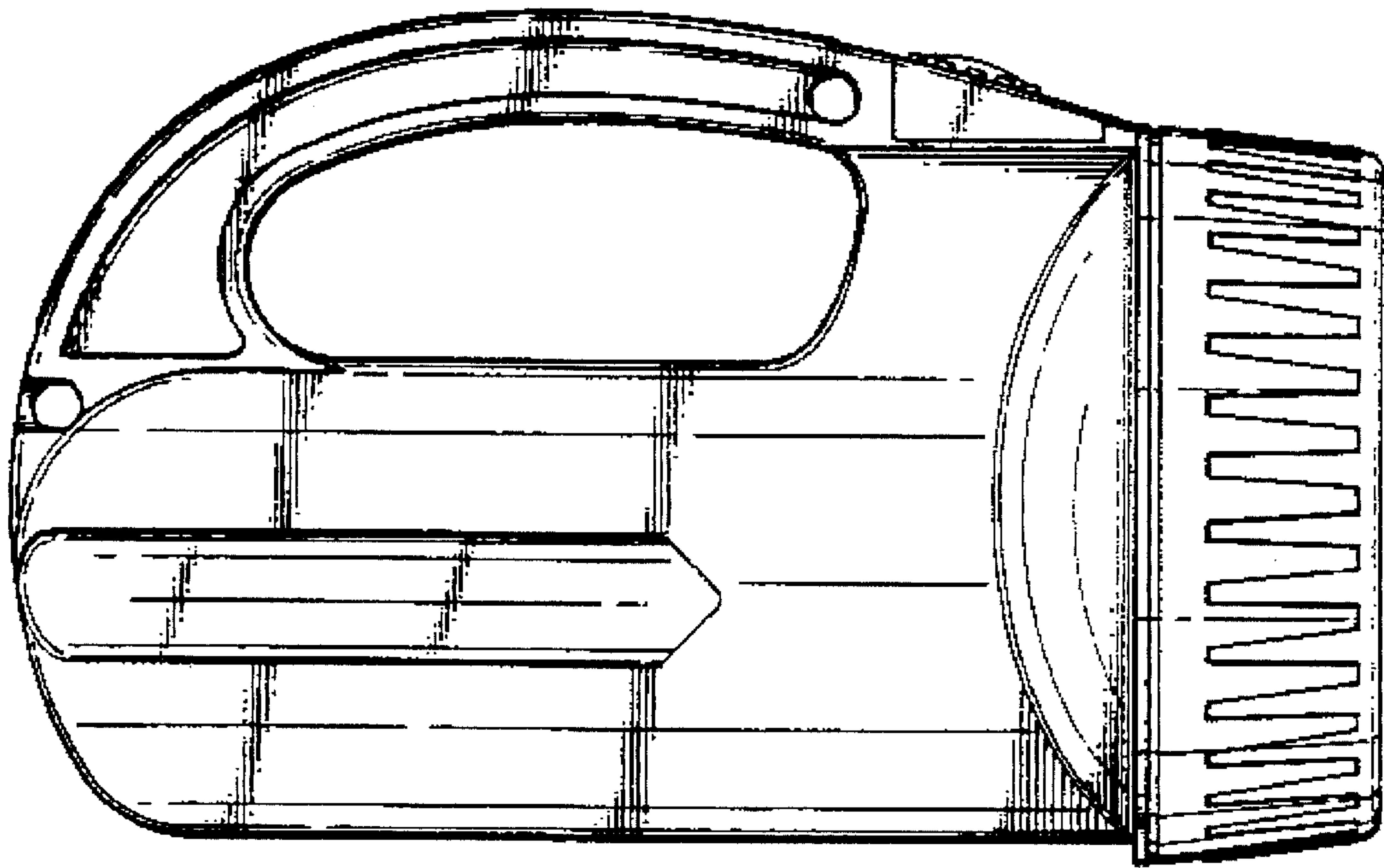


FIG. 4

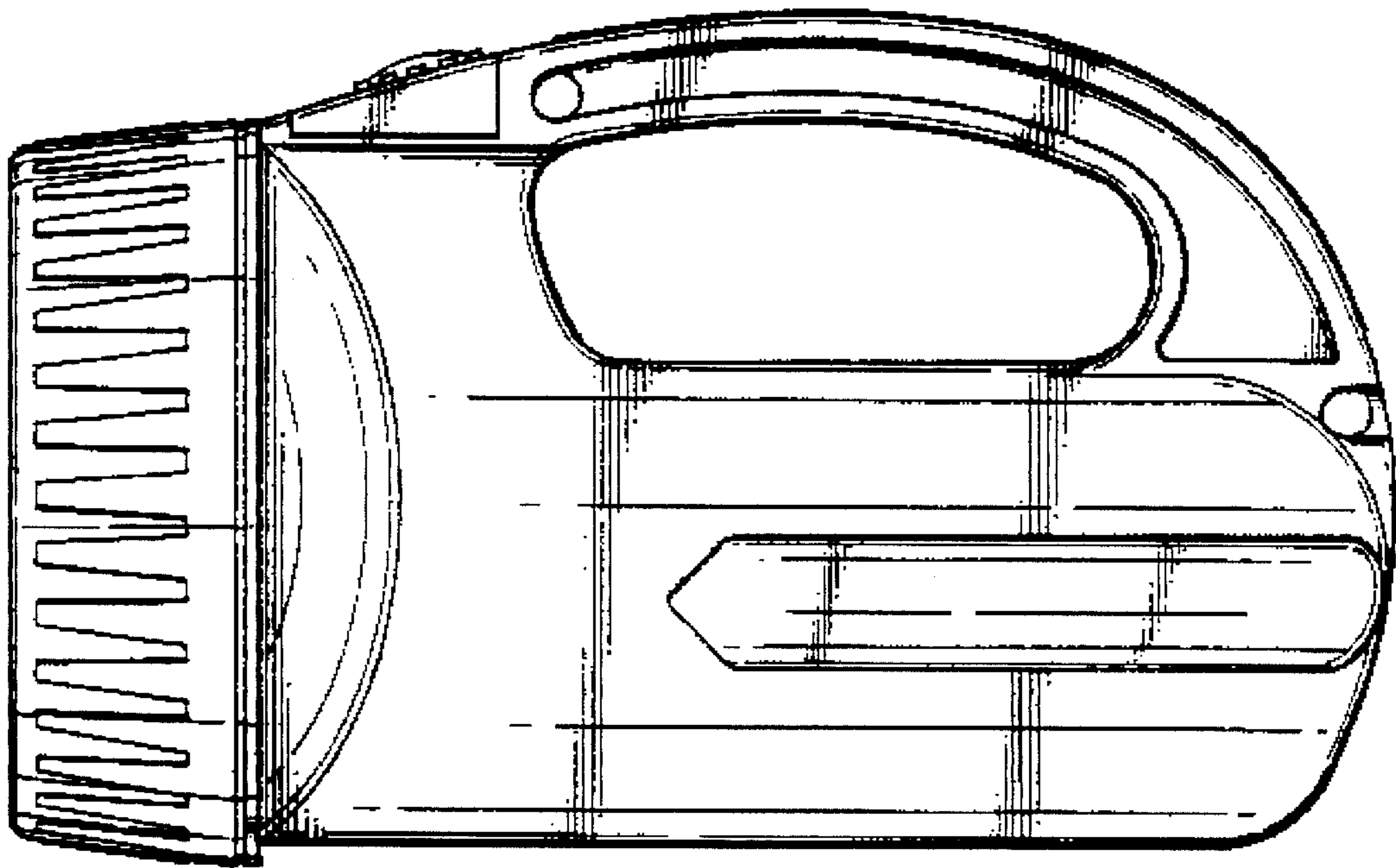


FIG. 5

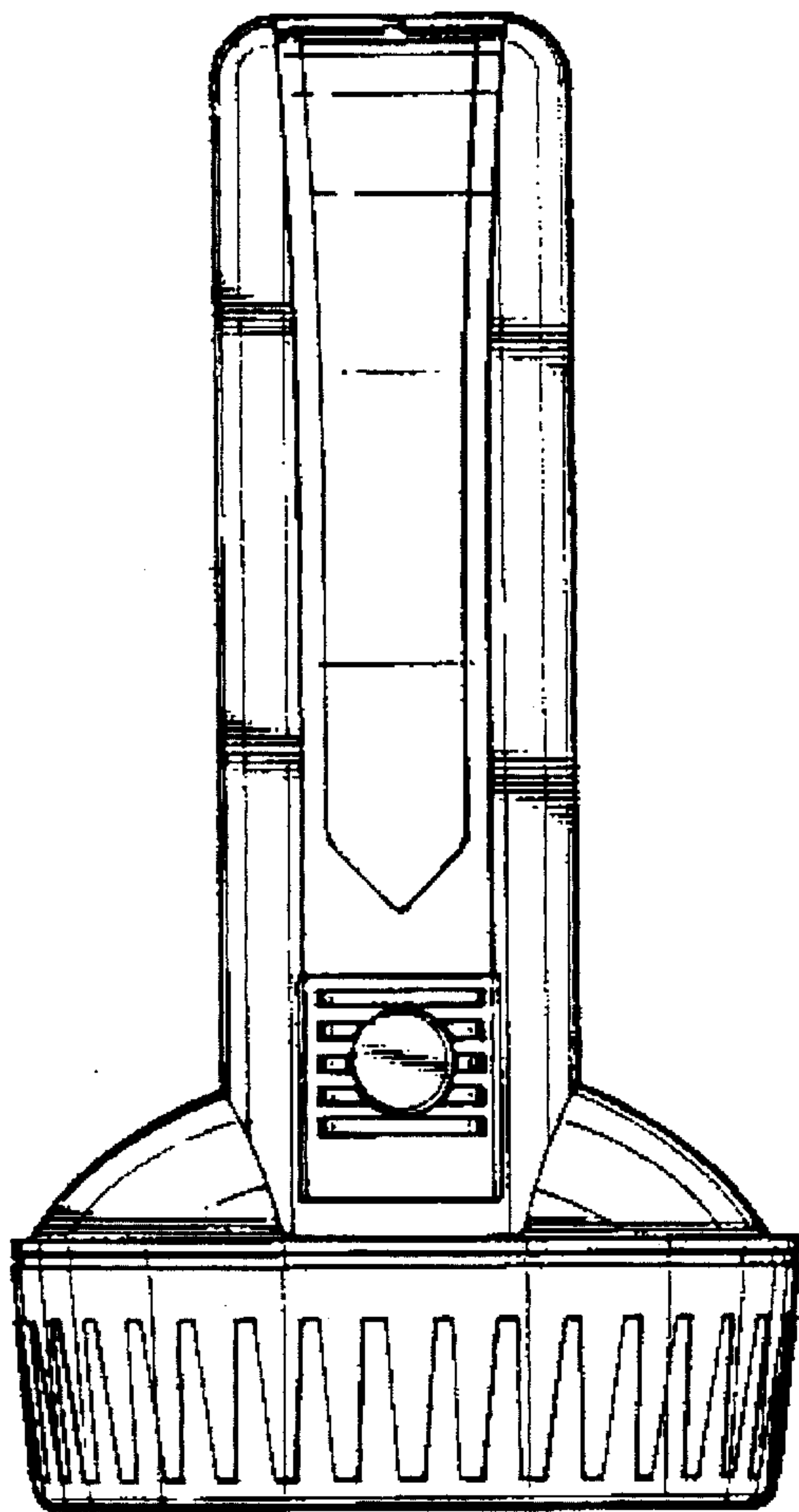


FIG. 6

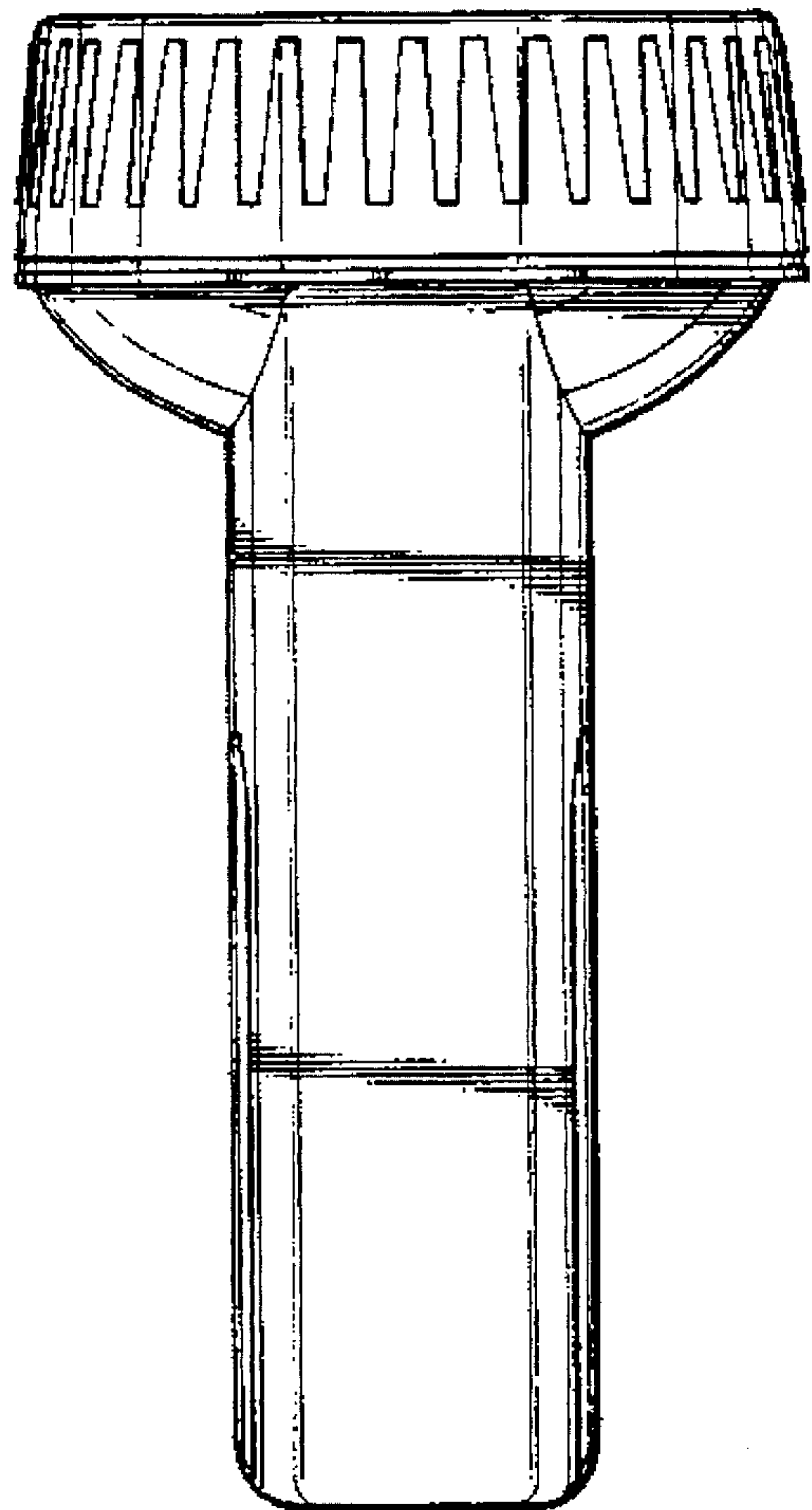


FIG. 7

UNITED STATES PATENT AND TRADEMARK OFFICE
CERTIFICATE OF CORRECTION

PATENT NO. : Des. 372,549
DATED : August 6, 1996
INVENTOR(S) : Kai-Bun Lo

It is certified that error appears in the above-identified patent and that said Letters Patent is hereby corrected as shown below:

On the Title page, item [73], Assignee: should be Topsca Limited, Hong Kong

Signed and Sealed this
Second Day of September, 1997

Attest:



BRUCE LEHMAN

Attesting Officer

Commissioner of Patents and Trademarks