



US00D372548S

United States Patent [19] Carbone

[11] Patent Number: **Des. 372,548**

[45] Date of Patent: ****Aug. 6, 1996**

[54] **FLASHLIGHT**

4,495,550 1/1985 Visciano 362/189

[75] Inventor: **Richard J. Carbone**, Southbury, Conn.

FOREIGN PATENT DOCUMENTS

[73] Assignee: **Black & Decker Inc.**, Newark, Del.

685937 8/1986 Japan .

685931 8/1986 Japan D26/43

[**] Term: **14 Years**

OTHER PUBLICATIONS

[21] Appl. No.: **39,176**

Catalog page from International Consumer Brands, Inc. 1987; Model Rel-158.

[22] Filed: **May 22, 1995**

Primary Examiner—A. Hugo Word

[52] U.S. Cl. **D26/43**

Assistant Examiner—Lavone D. Tabor

[58] Field of Search D26/37, 43, 44,
D26/46, 49, 60, 62; 362/157, 158, 184,
188, 189, 191, 198, 199, 200, 202, 362,
396

Attorney, Agent, or Firm—Barry E. Deutsch

[57] CLAIM

The ornamental design for a flashlight, as shown and described.

[56] References Cited

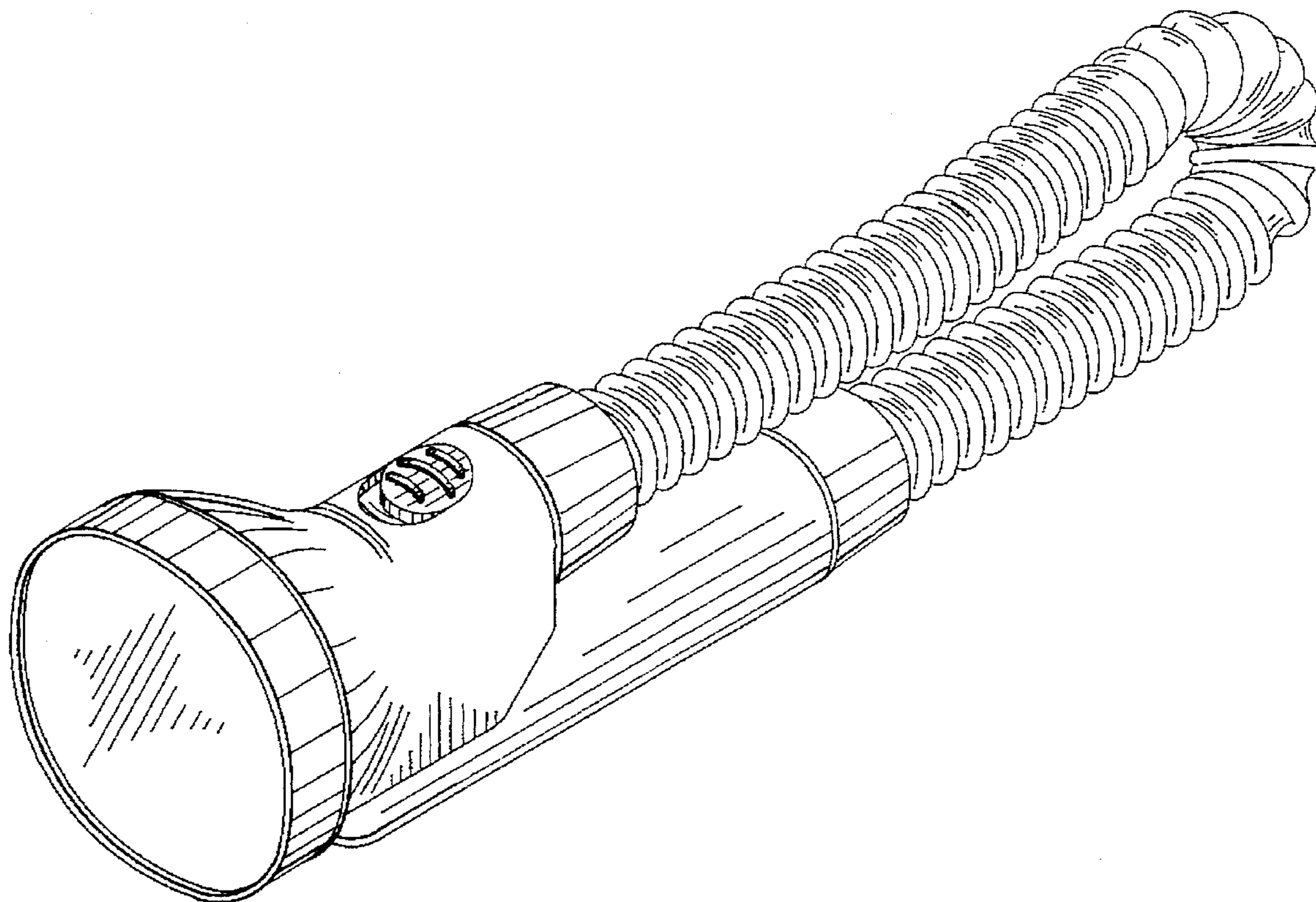
DESCRIPTION

U.S. PATENT DOCUMENTS

D. 147,258	8/1947	Becker	D26/43
D. 166,073	3/1952	Dunkelberger	D26/43
D. 272,476	1/1984	McCloskey et al.	D26/46
D. 296,478	6/1988	Powell et al.	D26/49
D. 314,246	1/1991	Bache	D26/62
D. 315,609	3/1991	Garrity	D26/49
D. 328,146	7/1992	Sinsteden	D26/49
D. 337,839	7/1993	Zeller	D26/43
3,111,277	11/1963	Grimsley	D26/43 X
3,124,306	3/1964	Schotz	362/157

FIG. 1 is a perspective view of a flashlight taken from the front, top and right side thereof showing my new design; FIG. 2 is a right side elevational view thereof; FIG. 3 is a left side elevational view thereof; FIG. 4 is a front elevational view thereof; FIG. 5 is a rear elevational view thereof; FIG. 6 is a top plan view thereof; and, FIG. 7 is a bottom plan view thereof.

1 Claim, 3 Drawing Sheets



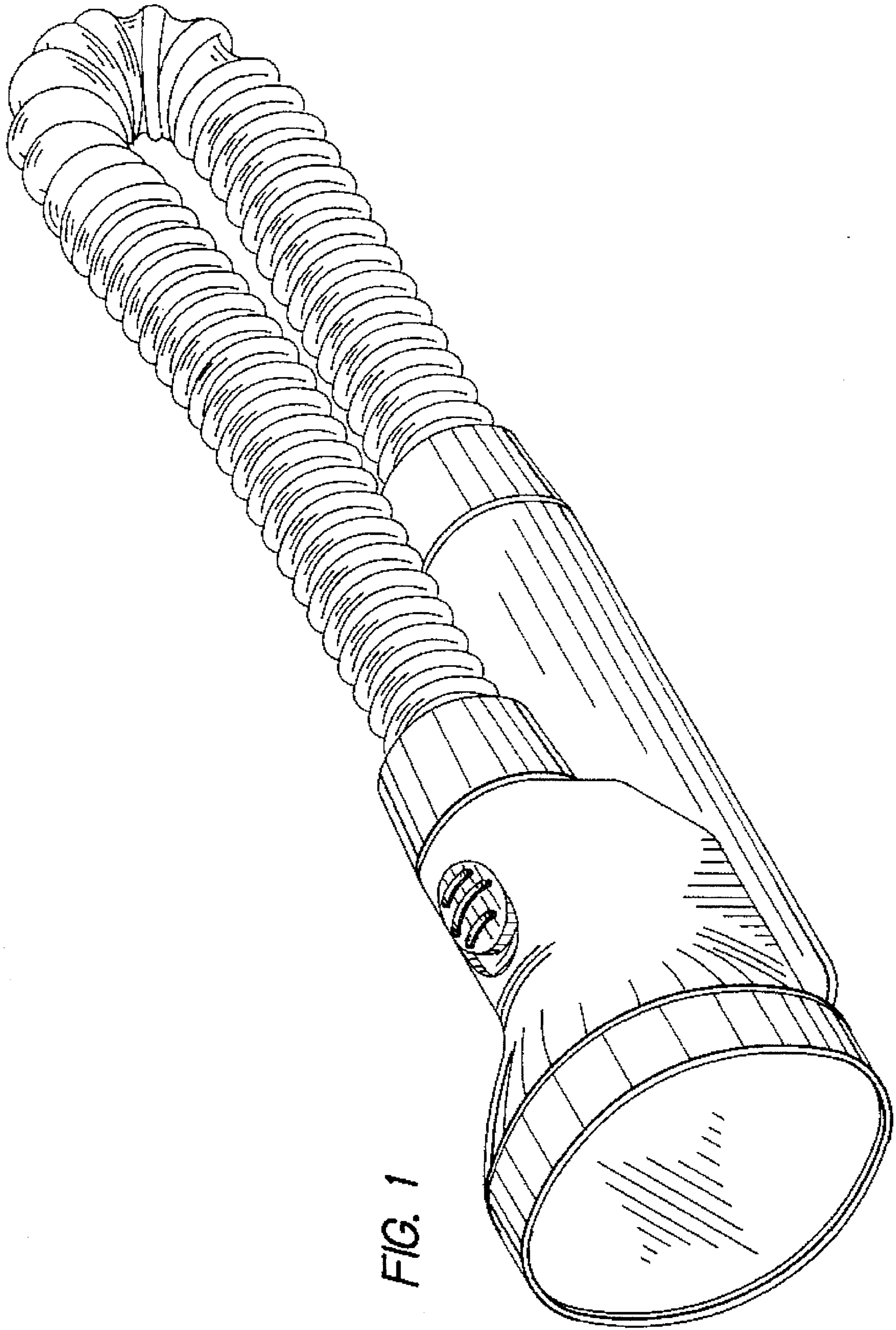


FIG. 1

FIG. 2

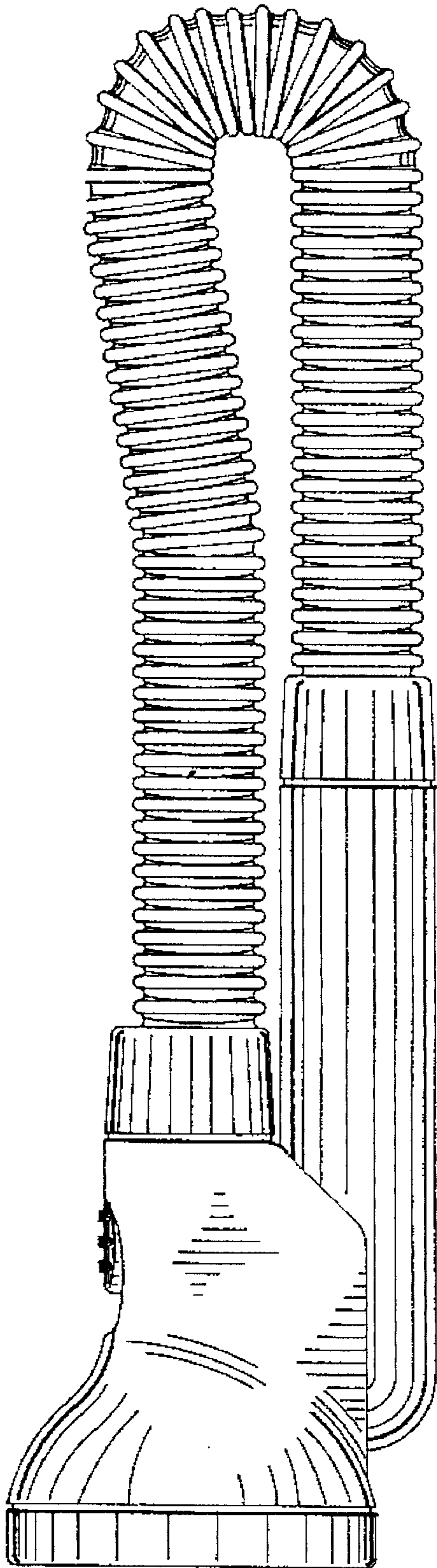
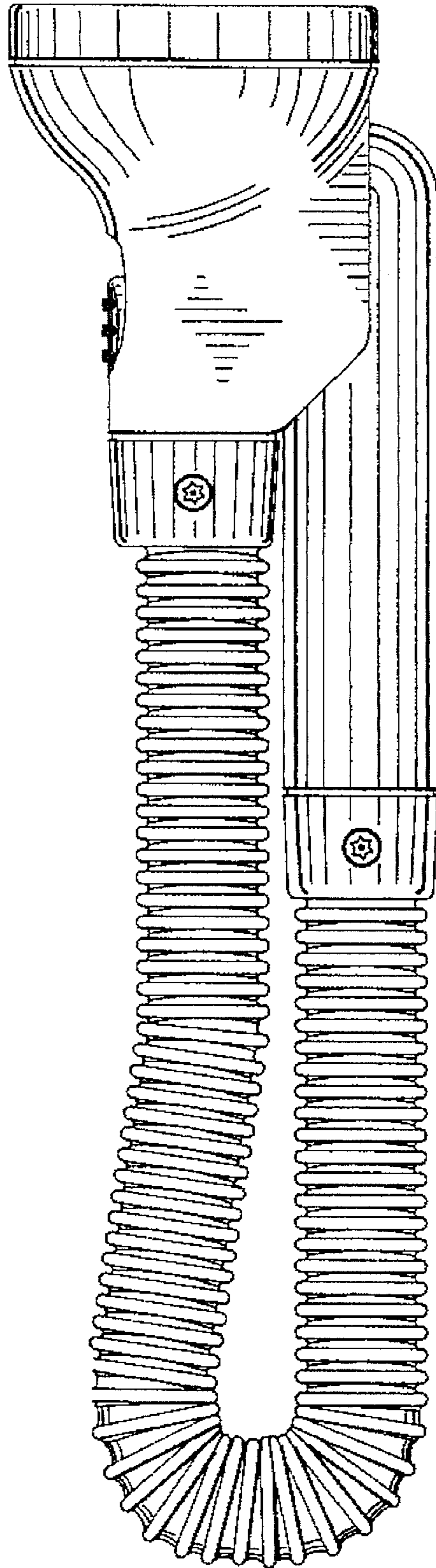


FIG. 3



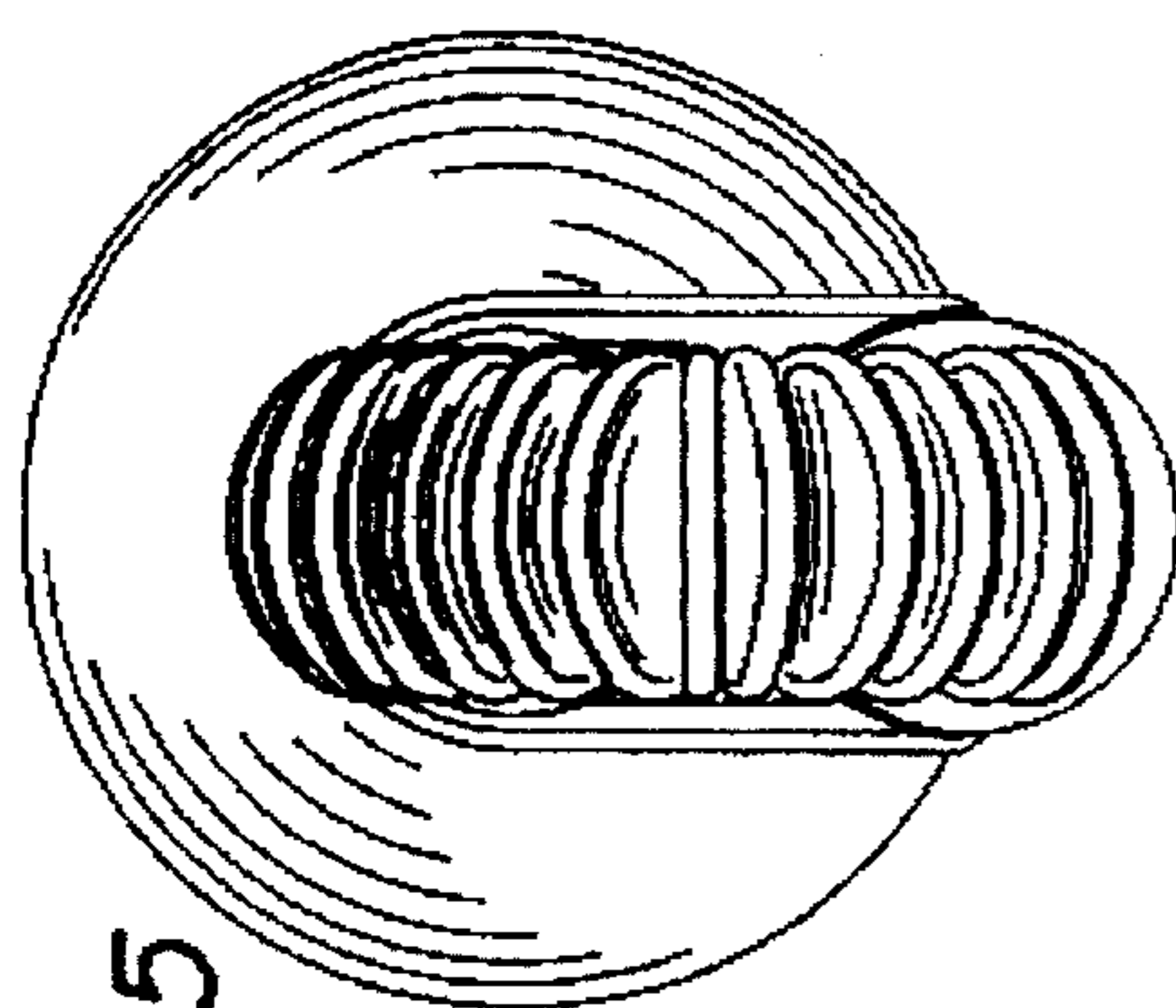


FIG. 5

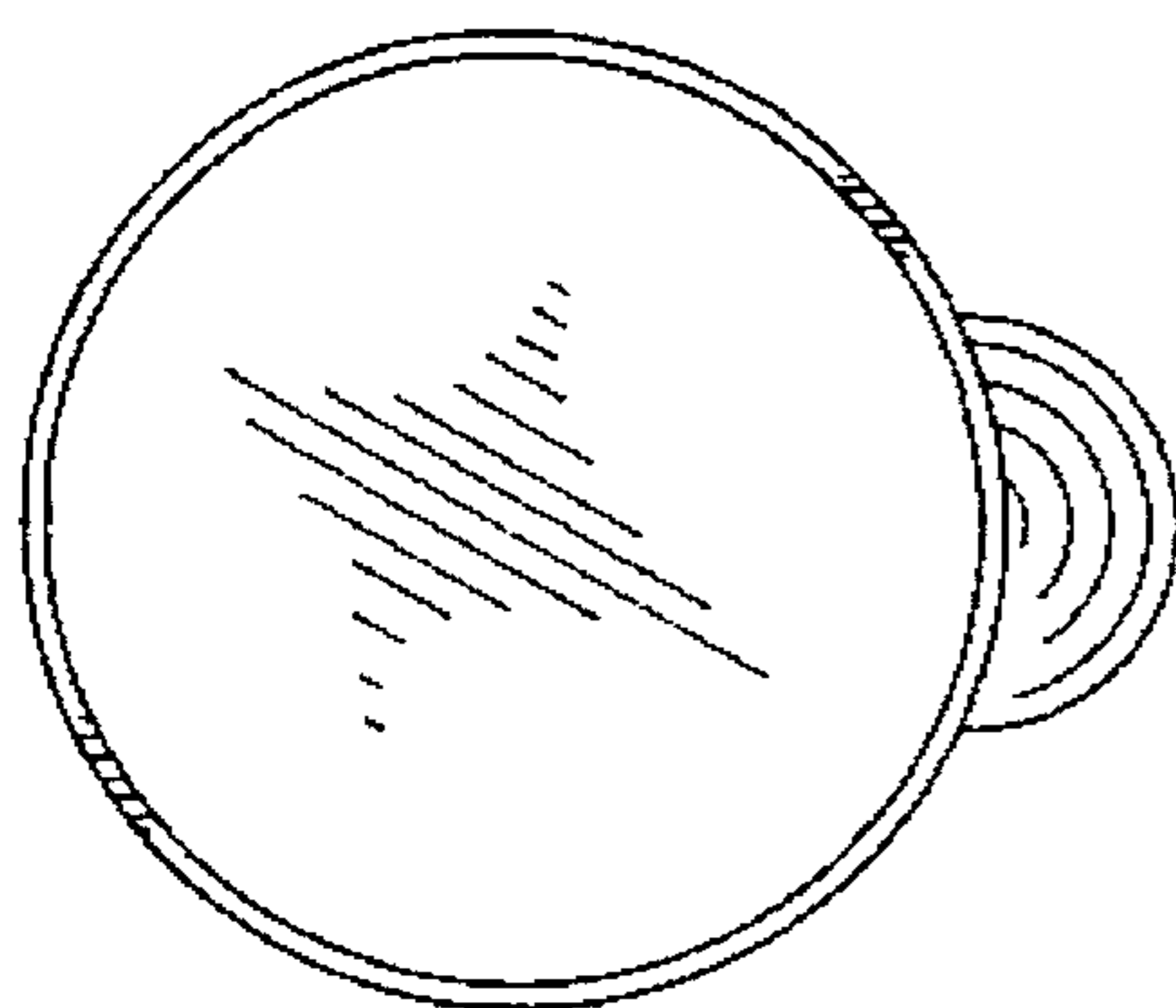


FIG. 4

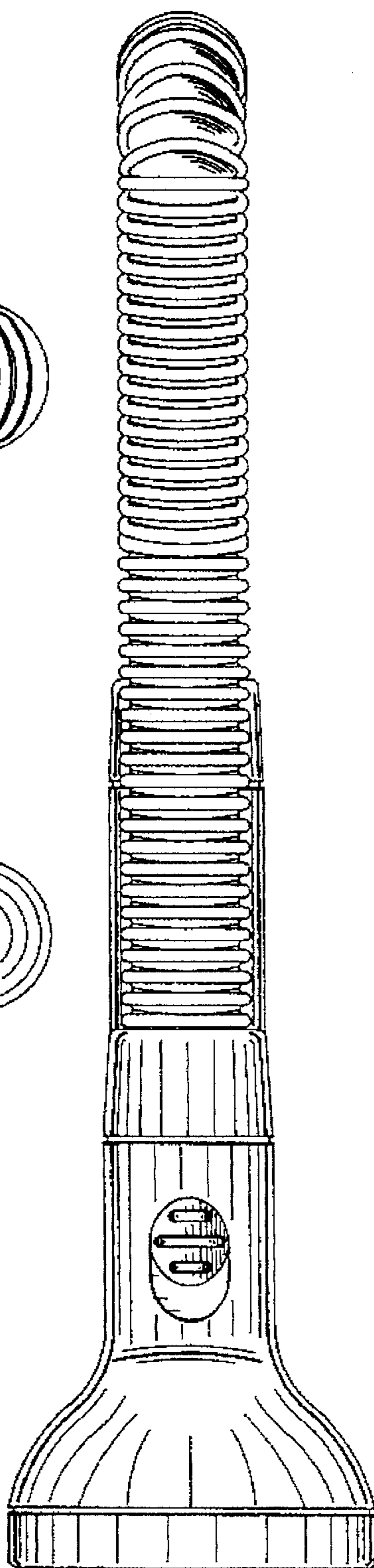


FIG. 6

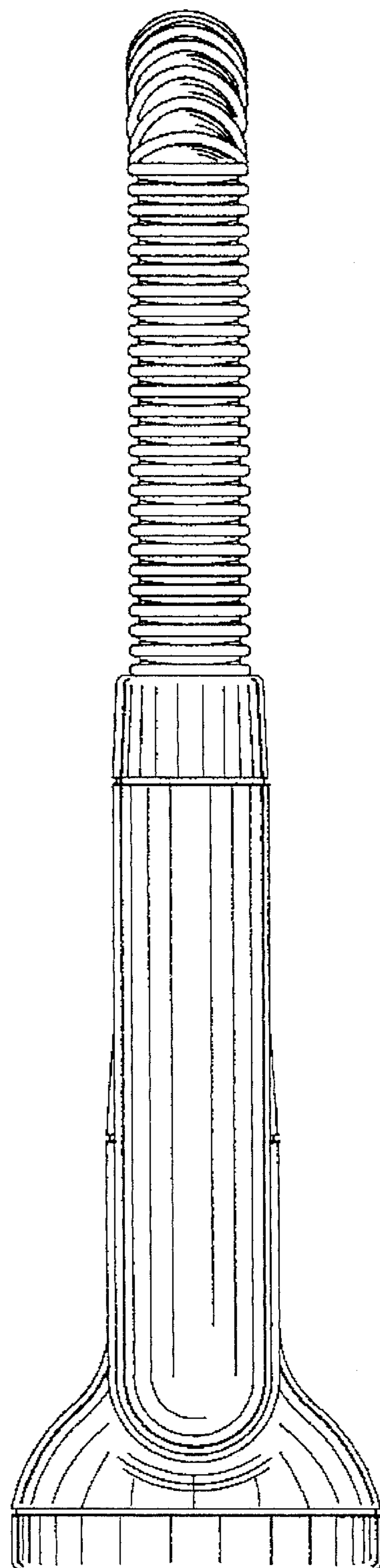


FIG. 7