



US00D372545S

United States Patent [19]

[11] Patent Number: **Des. 372,545**

Schultz

[45] Date of Patent: ****Aug. 6, 1996**

[54] **METAL ROOF PANEL OF INDETERMINATE LENGTH**

3,157,965	11/1964	Watson	50/201
3,267,834	8/1966	Hockett	D25/139
3,420,027	1/1969	Creveling	52/529
4,450,665	5/1984	Katz	D25/141
4,669,238	6/1987	Kellis et al.	D25/141

[75] Inventor: **Robert E. Schultz**, Hatfield, Pa.

[73] Assignee: **Englert/Rollformer, Inc.**, Willow Grove, Pa.

[**] Term: **14 Years**

Primary Examiner—Louis S. Zarfes
Assistant Examiner—Gregory Andoll
Attorney, Agent, or Firm—David L. Davis

[21] Appl. No.: **42,170**

[57] **CLAIM**

[22] Filed: **Aug. 2, 1995**

The ornamental design for a metal roof panel of indeterminate length, as shown and described.

[52] U.S. Cl. **D25/138**; D25/139; D25/141

[58] Field of Search D25/138, 139, D25/141; 52/518, 519, 523, 525, 554, 555

DESCRIPTION

[56] **References Cited**

U.S. PATENT DOCUMENTS

2,297	5/1866	Clark et al.	D25/139
D. 161,210	12/1950	Ruggles	D25/139
D. 354,358	1/1995	Wells	D25/138
433,217	7/1890	Sagendorph	52/518
876,098	1/1908	Savery	D25/139
967,415	8/1910	McFarland	52/530
1,329,794	2/1920	Moomaw	52/531
1,410,299	3/1922	Harshberger	52/518
2,178,357	10/1939	Hoess	189/86

FIG. 1 is a top, front and left side perspective view of a metal roof panel of indeterminate length showing my new design; FIG. 2 is a bottom, front and right side perspective view thereof;

FIG. 3 is a front elevational view thereof;

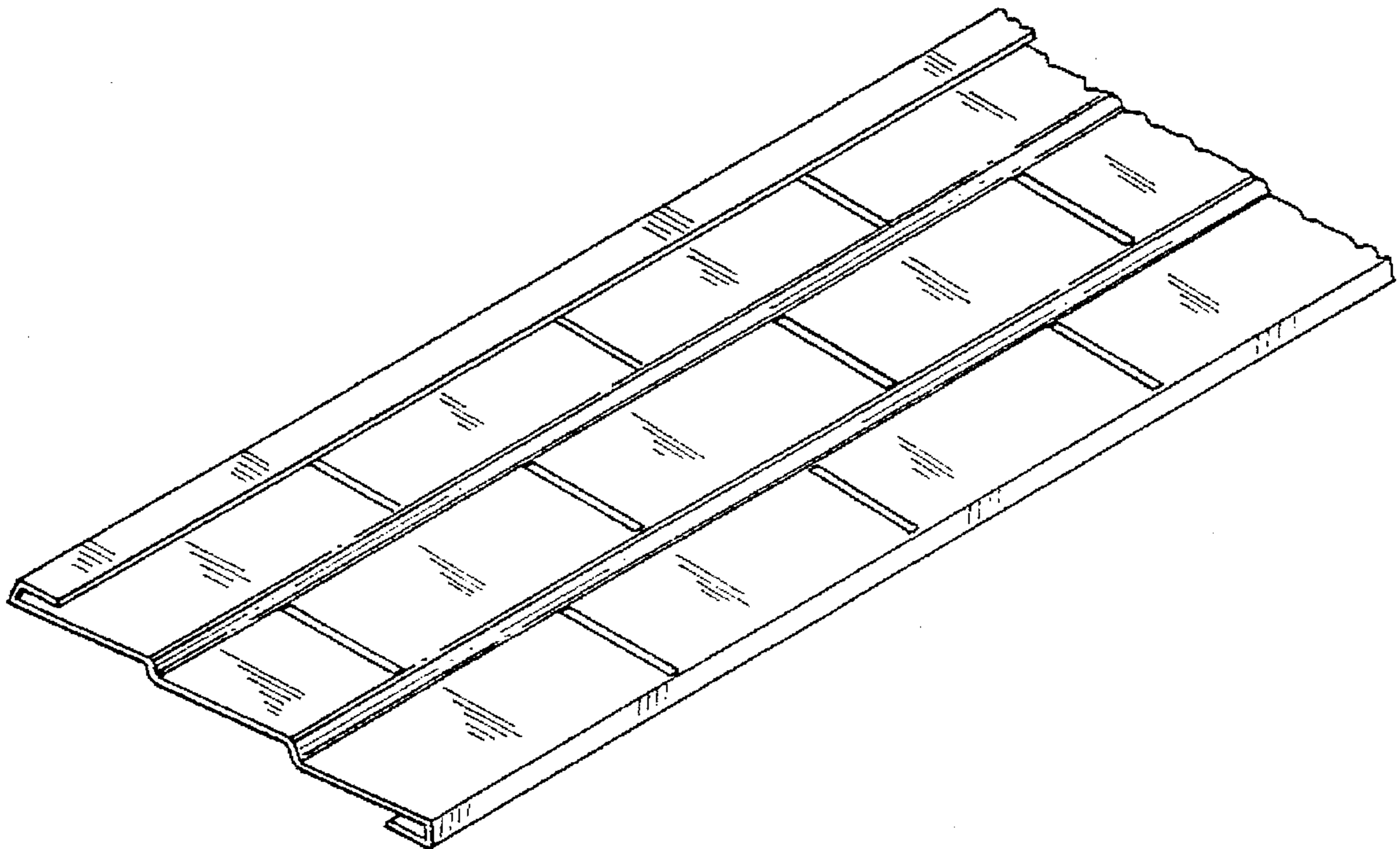
FIG. 4 is a rear elevational view thereof;

FIG. 5 is a left side elevational view thereof, the right side elevational view being a mirror image;

FIG. 6 is a top plan view thereof; and,

FIG. 7 is a bottom plan view thereof.

1 Claim, 5 Drawing Sheets



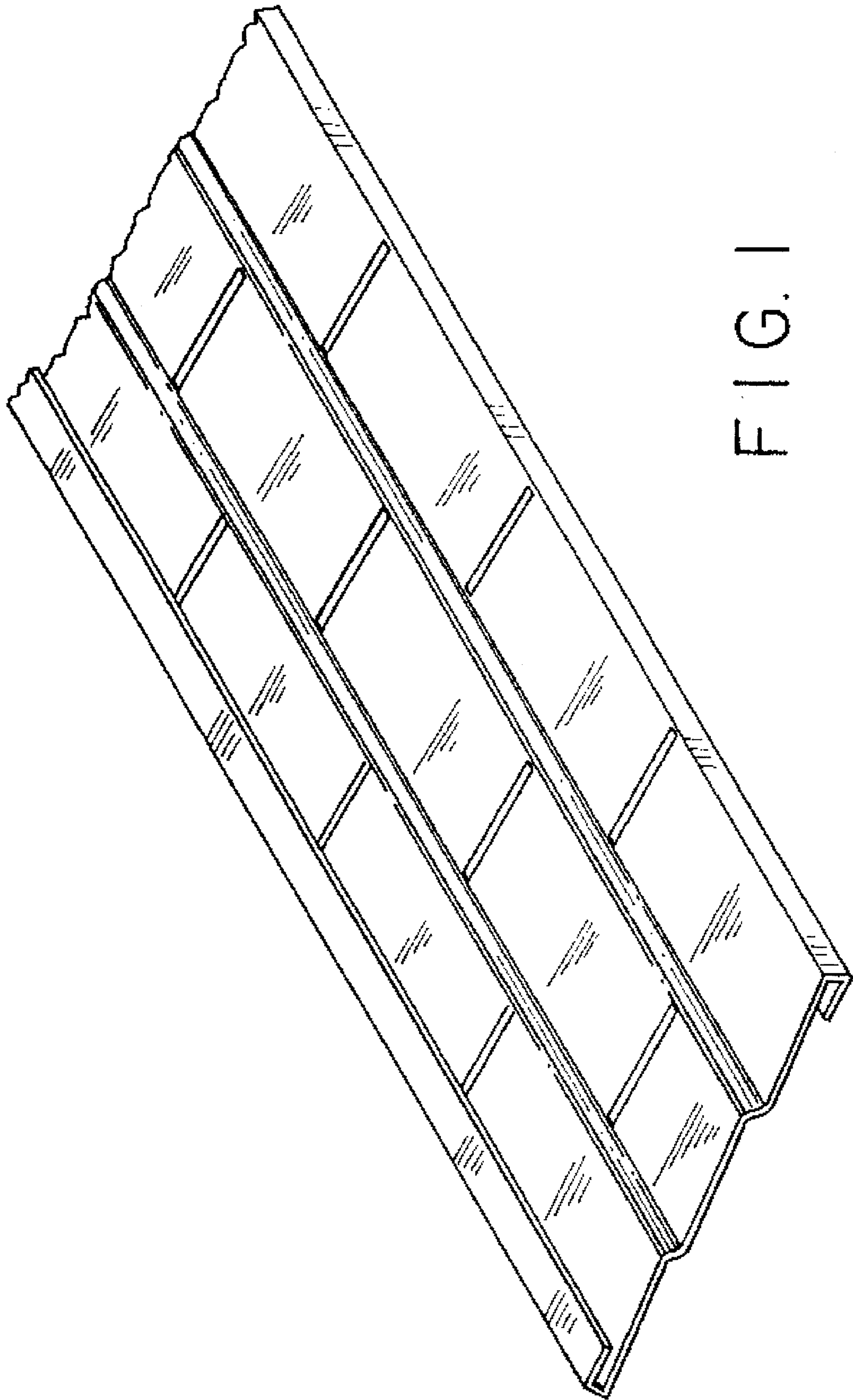


FIG. 1

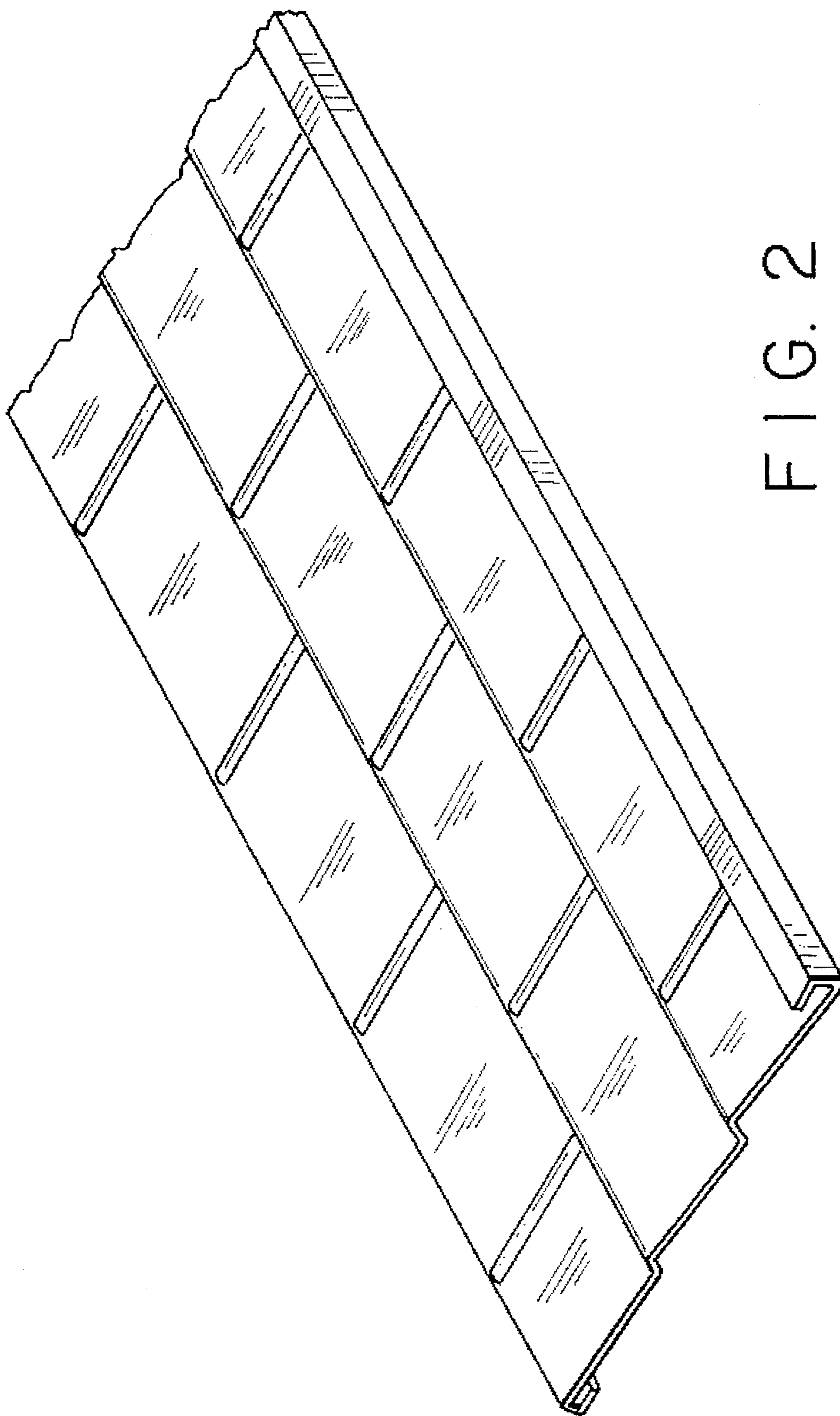


FIG. 2



FIG. 3

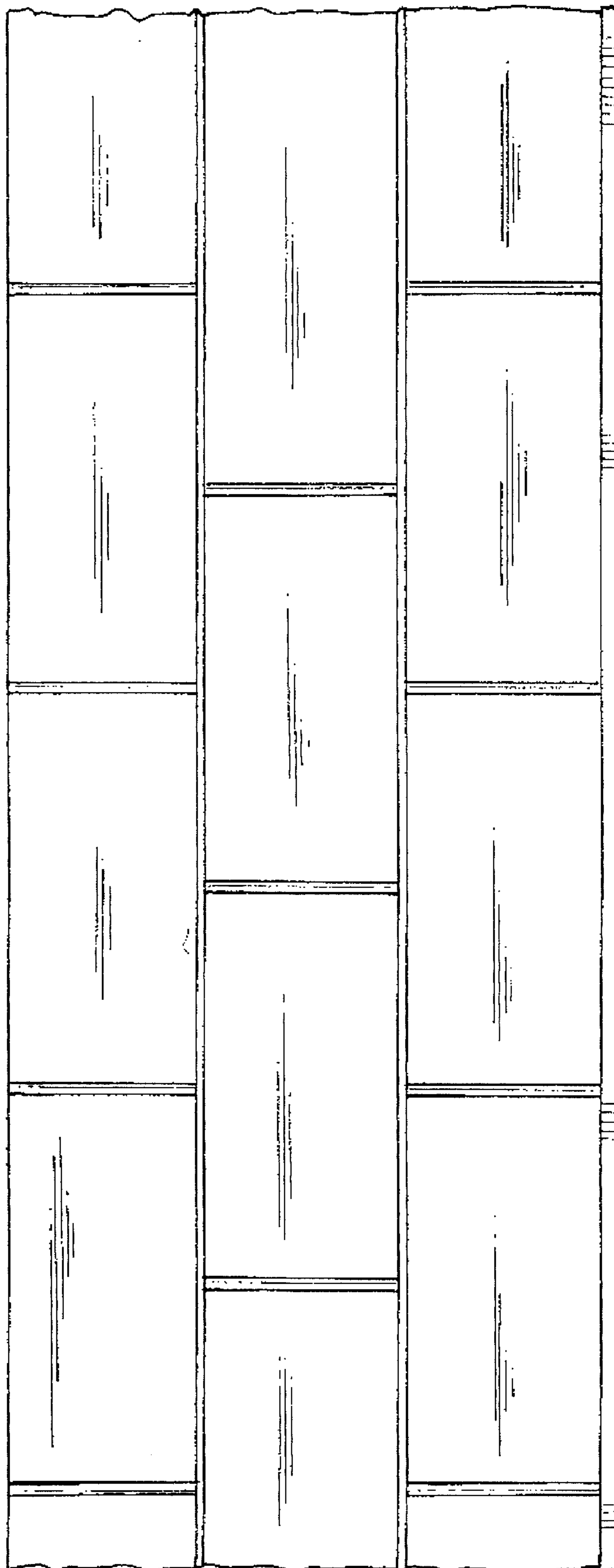


FIG. 4

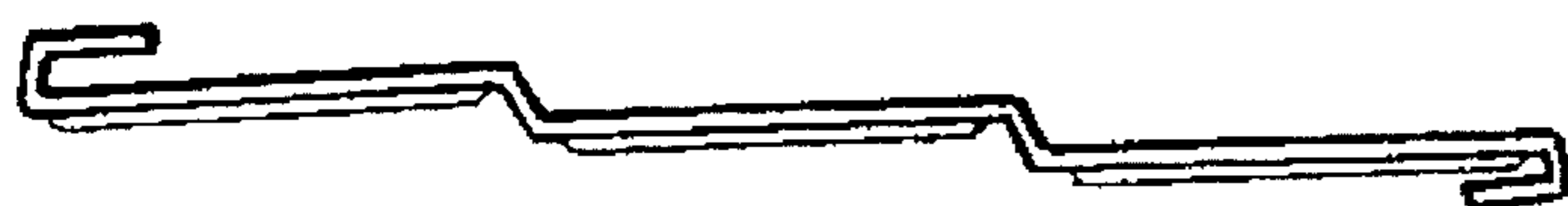


FIG. 5



FIG. 6



FIG. 7