



US00D372540S

United States Patent [19]
Pollard

[11] **Patent Number:** **Des. 372,540**

[45] **Date of Patent:** ****Aug. 6, 1996**

[54] **WINDOW FRAME SECTION**

2,775,798 1/1957 Bent D25/52
5,454,204 10/1995 Jordal 49/504

[75] Inventor: **Reginald N. Pollard**, Ancaster, Canada

[73] Assignee: **Pollard Windows Inc.**, Burlington,
Canada

Primary Examiner—Doris Clark

[**] Term: **14 Years**

[57] **CLAIM**

An ornamental design for a window frame section, as shown.

[21] Appl. No.: **39,074**

[22] Filed: **May 19, 1995**

DESCRIPTION

[52] U.S. Cl. **D25/124**

[58] Field of Search D25/52, 60, 121-125;
49/DIG. 2, 504

FIG. 1 is a perspective view of the window frame section;
and,

FIG. 2 is an end view of the window section.

[56] **References Cited**

U.S. PATENT DOCUMENTS

D. 325,641 4/1992 Dallaire et al. D25/121

1 Claim, 1 Drawing Sheet

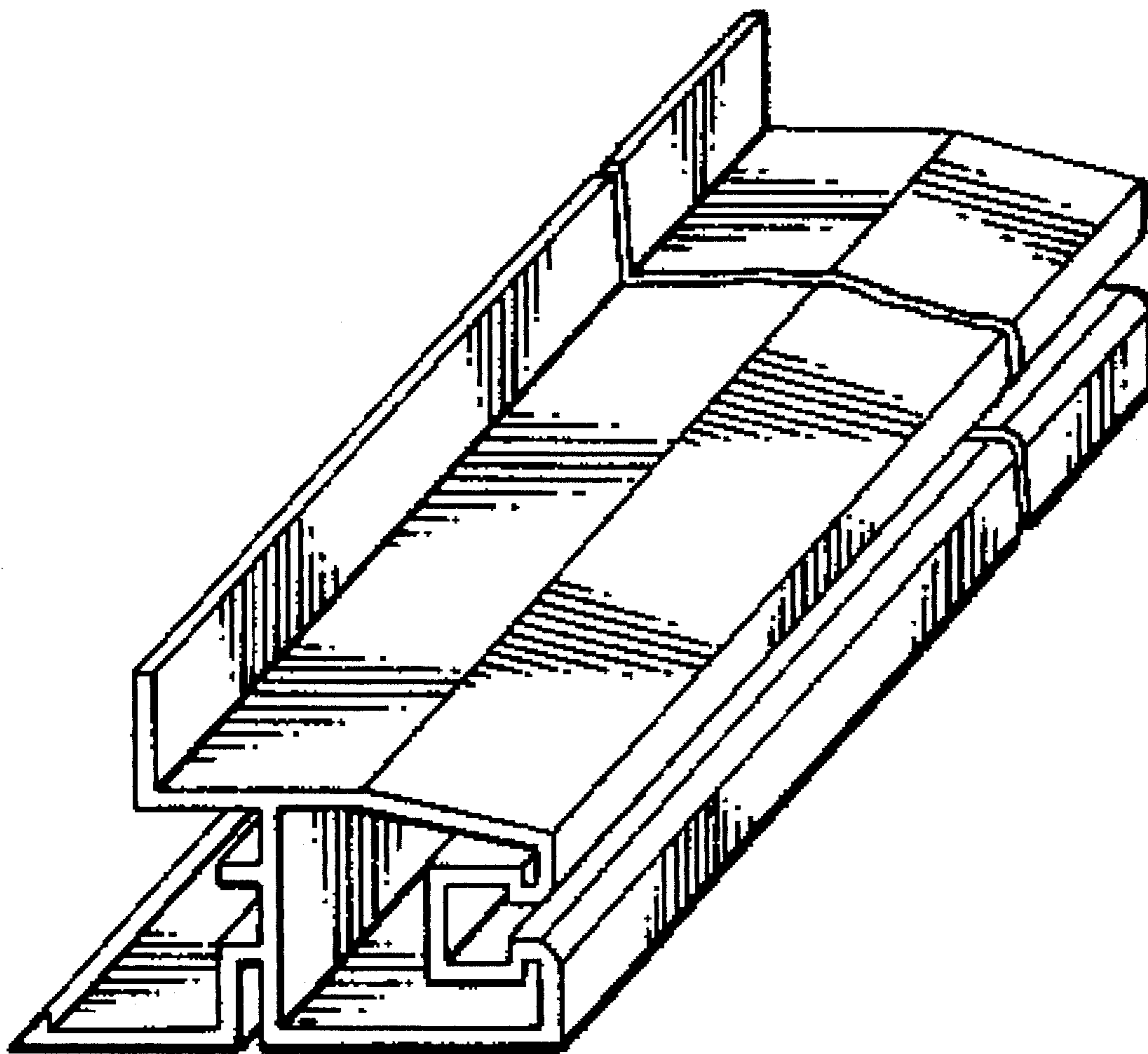


FIG. 1.

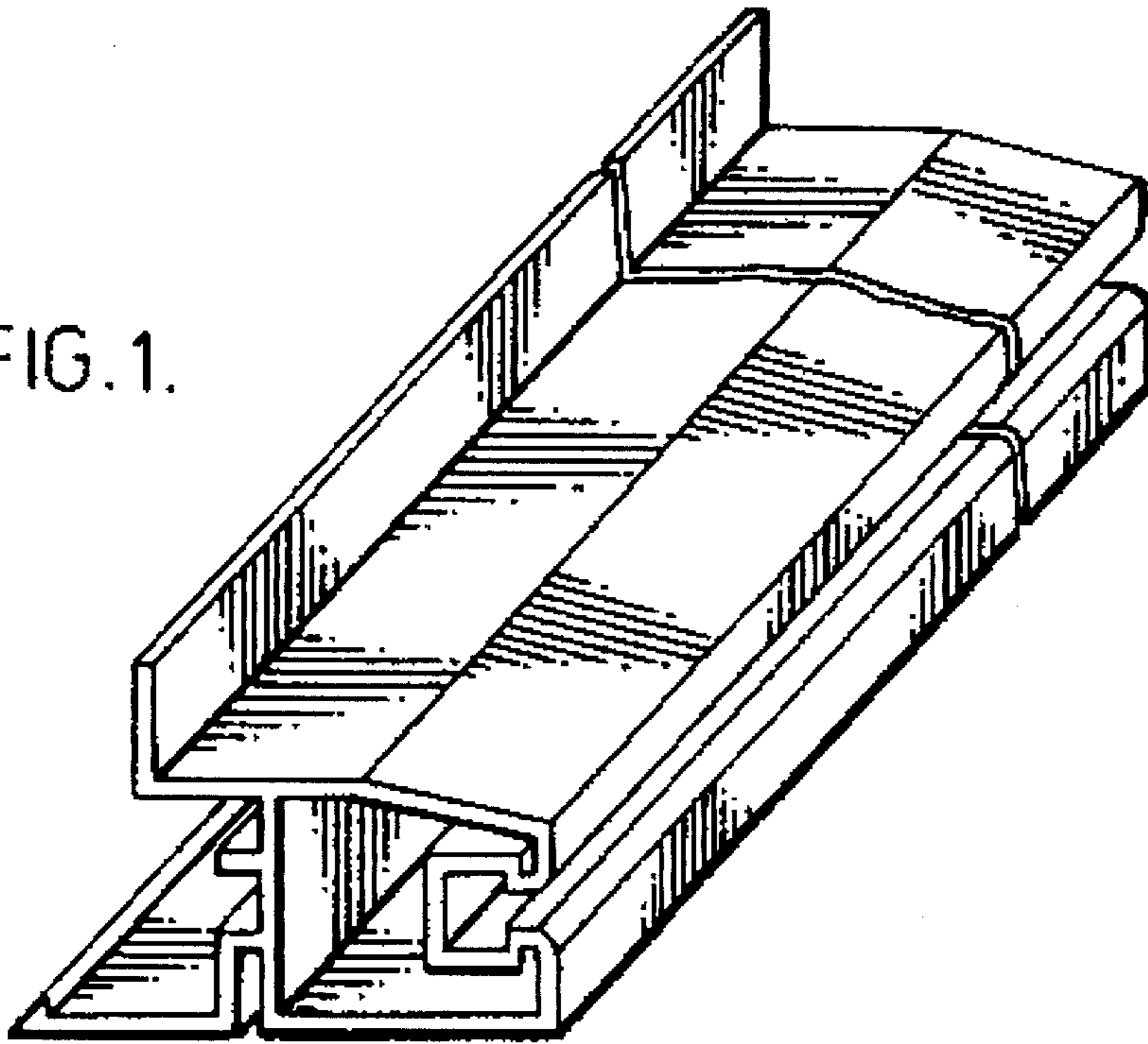


FIG. 2.

