



US00D372539S

# United States Patent [19]

[11] Patent Number: **Des. 372,539**

**Davies**

[45] Date of Patent: **\*\*\* Aug. 6, 1996**

[54] **EDGING STRIP FOR TILED STEPS**

[75] Inventor: **Alan J. E. Davies**, Hednesford, England

[73] Assignee: **McKechnie UK Limited**, Walsall, England

[\*] Notice: The portion of the term of this patent subsequent to Oct. 31, 2009, has been disclaimed.

[\*\*] Term: **14 Years**

[21] Appl. No.: **32,575**

[22] Filed: **Dec. 21, 1994**

[30] **Foreign Application Priority Data**

Jun. 30, 1994 [GB] United Kingdom ..... 2040050

[52] U.S. Cl. .... **D25/119**

[58] Field of Search ..... D25/68-69, 122, D25/125, 120, 164, 119, 199; D6/587; 52/179, 181, 220.5, 391-393, 396.1, 396.04, 459, 716.1, 718.01, 287-288, 231.7, 230.6; 428/33, 43

[56] **References Cited**

U.S. PATENT DOCUMENTS

3,172,343	3/1965	Jacobs .....	D25/69
3,411,977	11/1968	Slater, Jr. ....	428/33
3,608,256	9/1971	Jefferys .....	52/181
4,858,404	8/1989	Schluter .....	52/179
5,073,430	12/1991	Aidan .....	52/179

*Primary Examiner*—Doris Clark  
*Attorney, Agent, or Firm*—Volpe and Koenig, P.C.

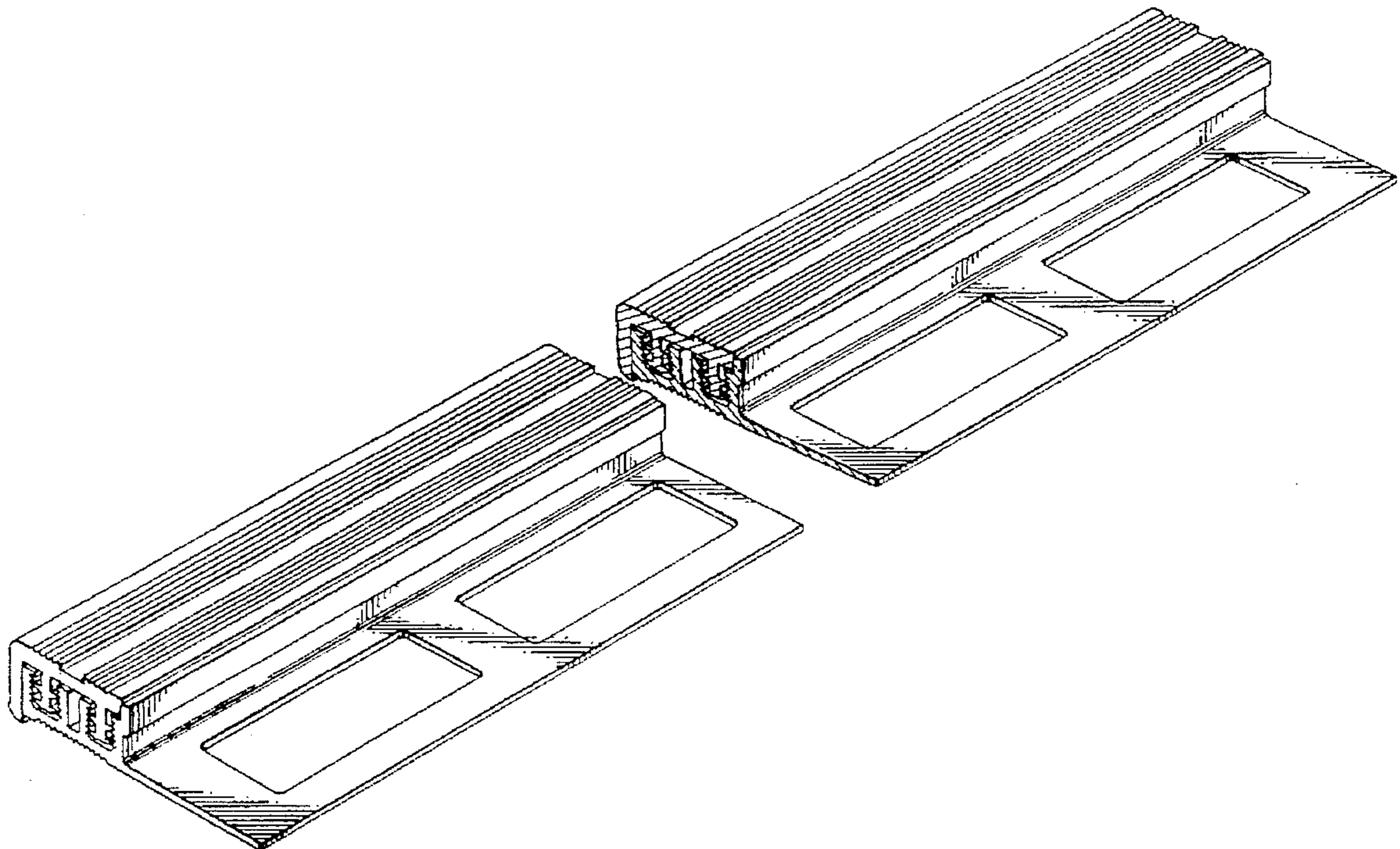
[57] **CLAIM**

The ornamental design for an edging strip for tiled steps, as shown and described.

**DESCRIPTION**

FIG. 1 is a perspective view from one end of the edging strip for tiled steps which is broken in the center to indicate indeterminate length, and the pattern of the openings and grooves is repeated throughout the length thereof; FIG. 2 is an enlarged view of the other end; and, FIG. 3 is a perspective view from one end, with parts separated.

**1 Claim, 2 Drawing Sheets**



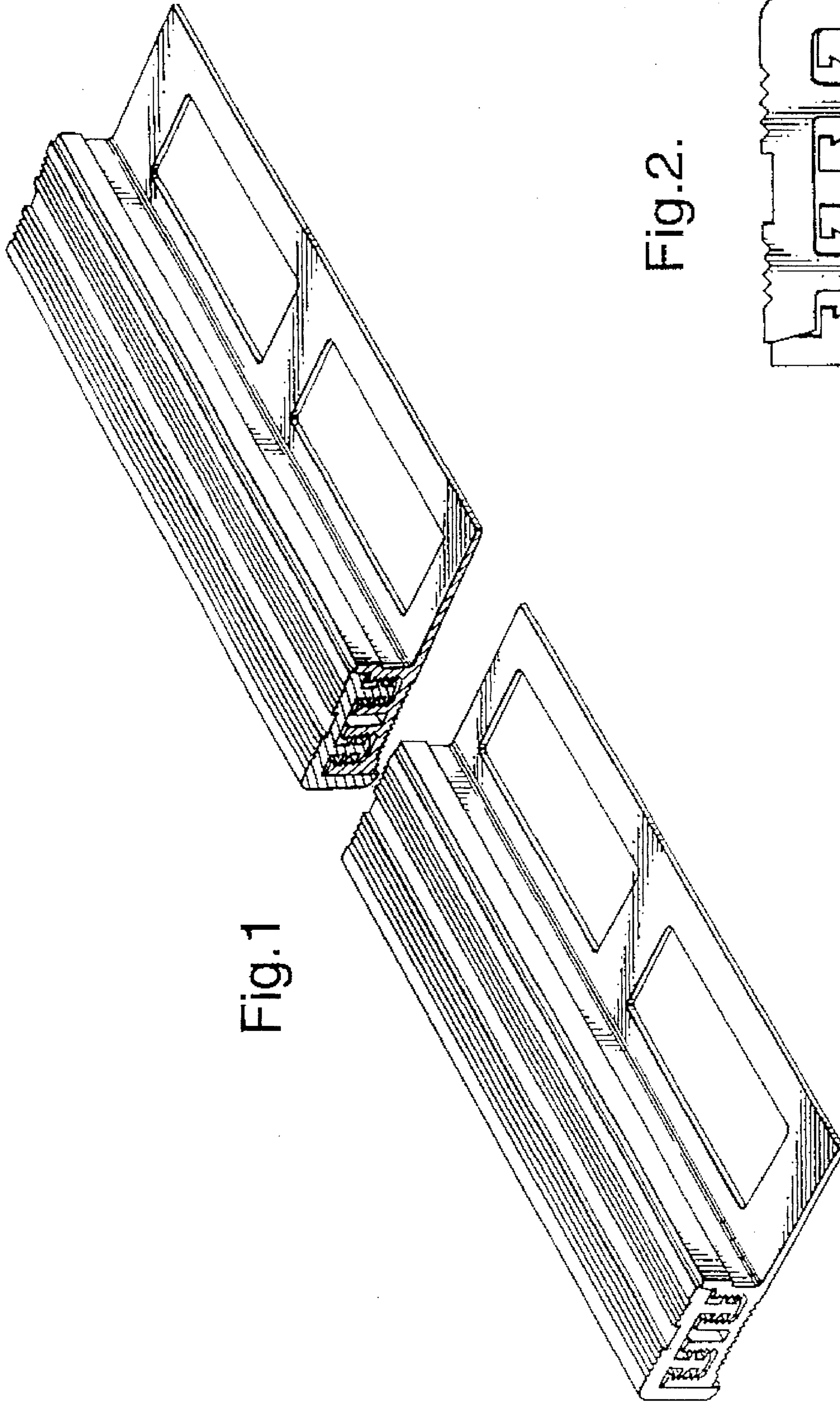
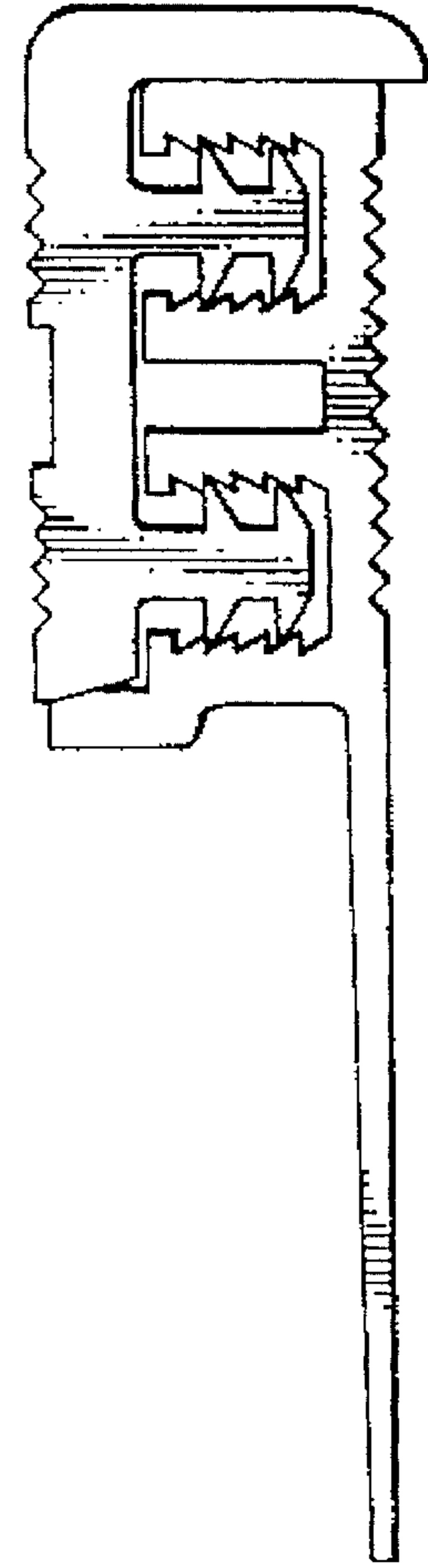


Fig. 1

Fig. 2.





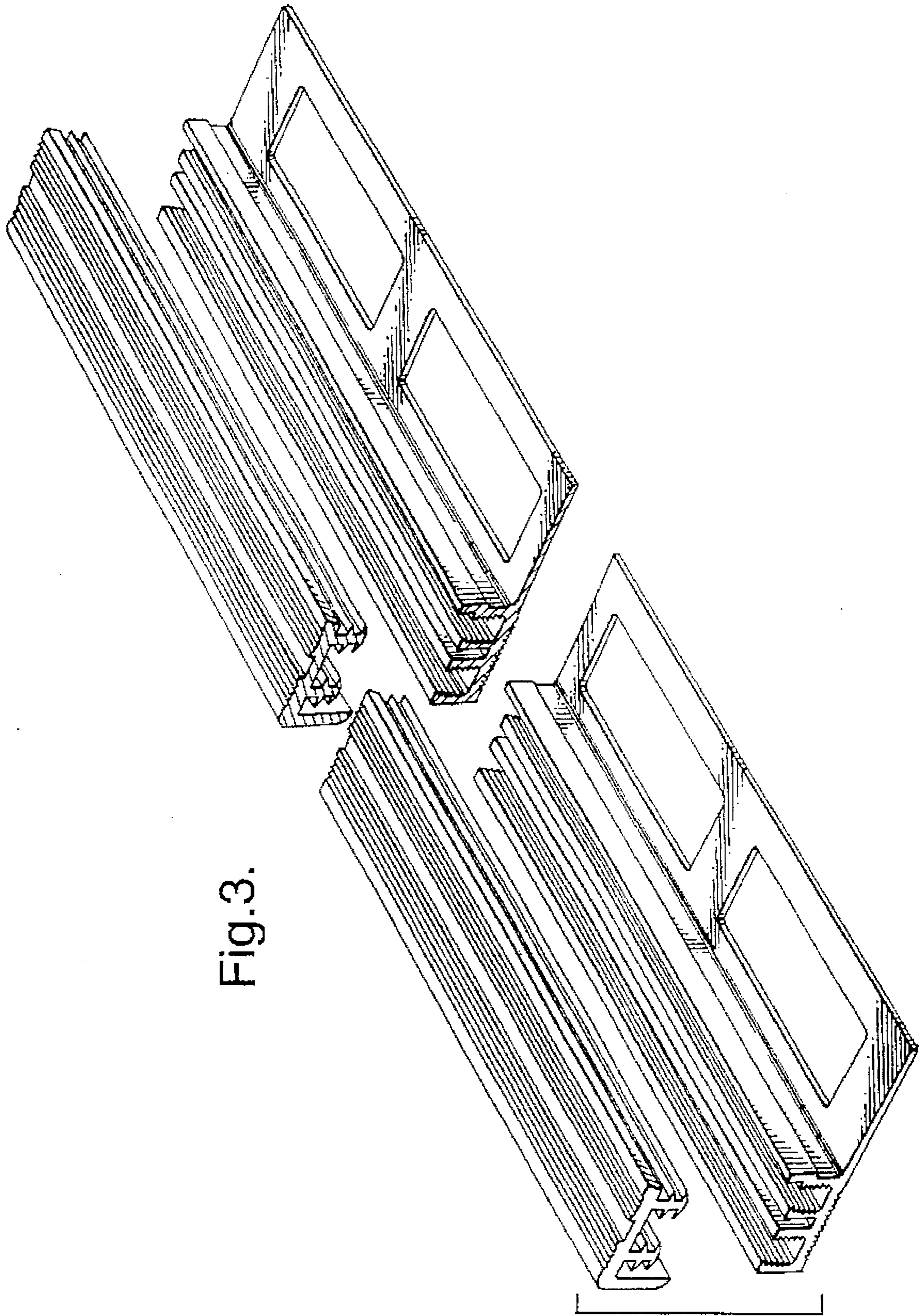


Fig.3.

UNITED STATES PATENT AND TRADEMARK OFFICE  
CERTIFICATE OF CORRECTION

PATENT NO. : Des. 372,539  
DATED : August 6, 1996  
INVENTOR(S) : Davies

It is certified that error appears in the above-identified patent and that said Letters Patent is hereby corrected as shown below:

On the title page of the patent, under References Cited, please insert --2,106,558 4/1983 United Kingdom-- under Foreign Patent Documents.

On the title page of the patent, under Inventor, please delete "Hednesford, England" and insert therefor --Staffordshire, England--.

Signed and Sealed this  
Third Day of December, 1996

Attest:



BRUCE LEHMAN

Attesting Officer

Commissioner of Patents and Trademarks