



US00D372534S

United States Patent [19]

Andrews et al.

[11] Patent Number: **Des. 372,534**

[45] Date of Patent: ****Aug. 6, 1996**

[54] **DEFIBRILLATOR**

[75] Inventors: **Jonathan N. Andrews**, Monmouth;
Stephen V. Cooper, Amity; **Gary N. Shepard**, Salem; **James D. Bledsoe**, McMinnville; **Wendy Blumberg-Dominguez**, Tigard; **Carl E. Benvegar**, McMinnville; **David J. Gembala**, Tualitin, all of Oreg.

[73] Assignee: **Hewlett-Packard Company**, Palo Alto, Calif.

[**] Term: **14 Years**

[21] Appl. No.: **38,919**

[22] Filed: **May 16, 1995**

[52] U.S. Cl. **D24/168**

[58] Field of Search D24/168, 167;
128/704, 703, 702, 708, 695, 696, 639;
607/4, 5, 6

[56] **References Cited**

U.S. PATENT DOCUMENTS

D. 342,788 12/1993 Weaver et al. D24/167

D. 357,318 4/1995 Hill et al. D24/167
4,653,474 3/1987 Reithler 607/5
5,391,187 2/1995 Freeman 607/4 X
5,441,520 8/1995 Olsen et al. 607/6

Primary Examiner—Stella Reid
Attorney, Agent, or Firm—Curtis G. Rose

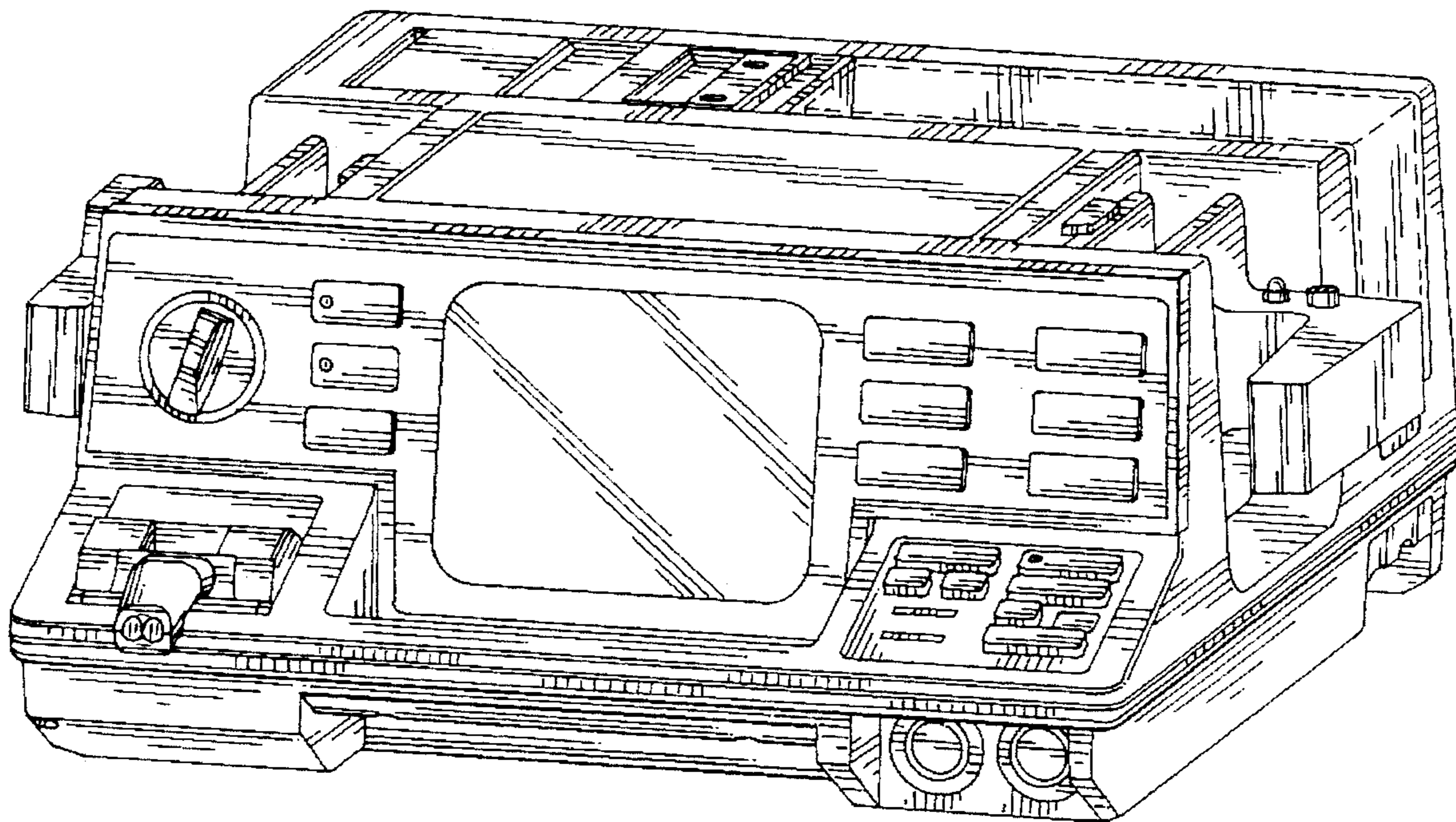
[57] **CLAIM**

The ornamental design for a defibrillator, as shown and described.

DESCRIPTION

FIG. 1 is a perspective view of a defibrillator showing my new design;
FIG. 2 is a top plan view thereof;
FIG. 3 is a bottom plan view thereof;
FIG. 4 is a front elevational view thereof;
FIG. 5 is a back elevational view thereof;
FIG. 6 is a left side elevational view thereof; and,
FIG. 7 is a right side elevational view thereof.
The broken line showing in FIG. 1 is for illustrative purposes only and forms no part of the claimed design.

1 Claim, 5 Drawing Sheets



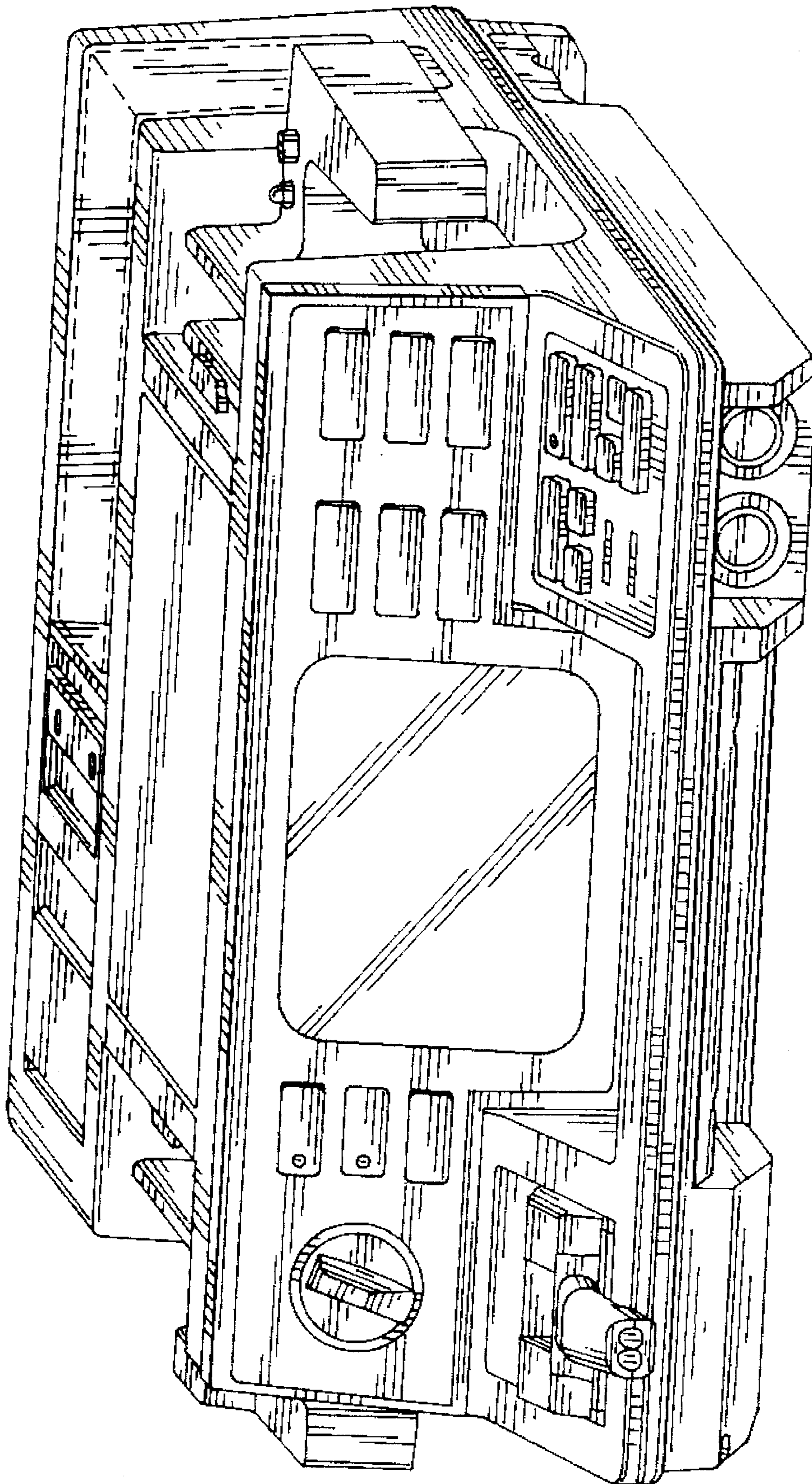


Fig. 1

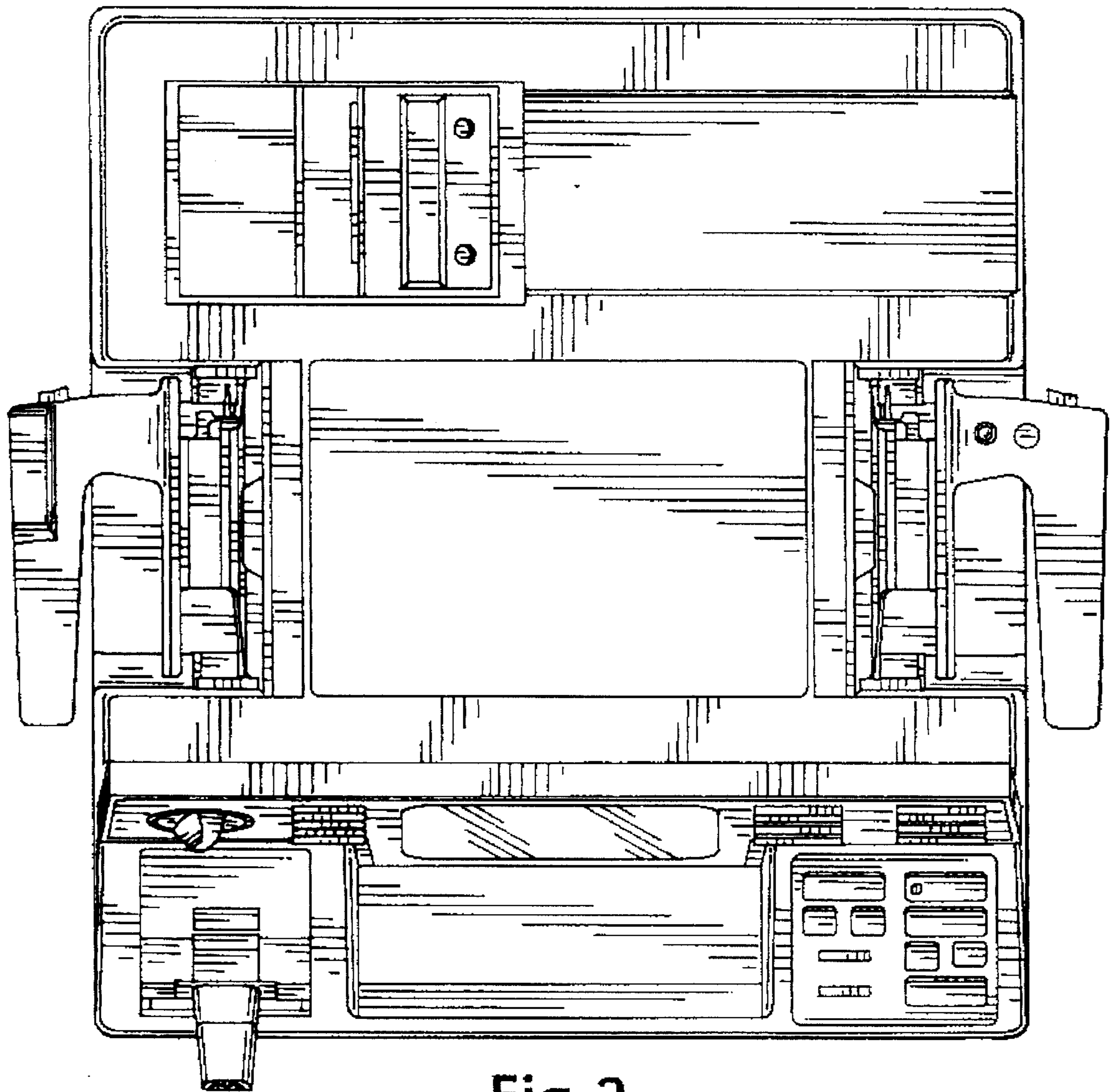


Fig.2

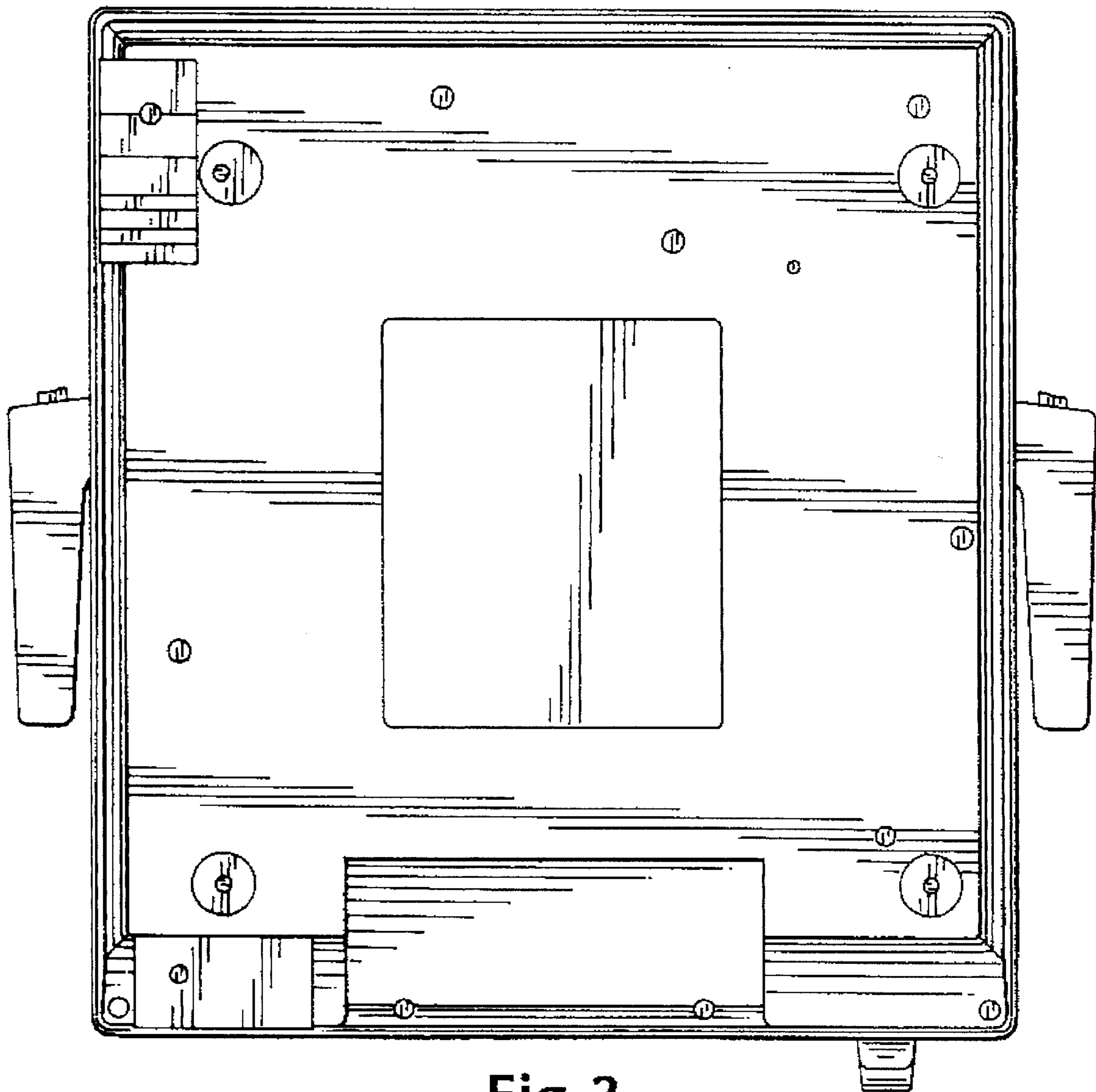


Fig.3

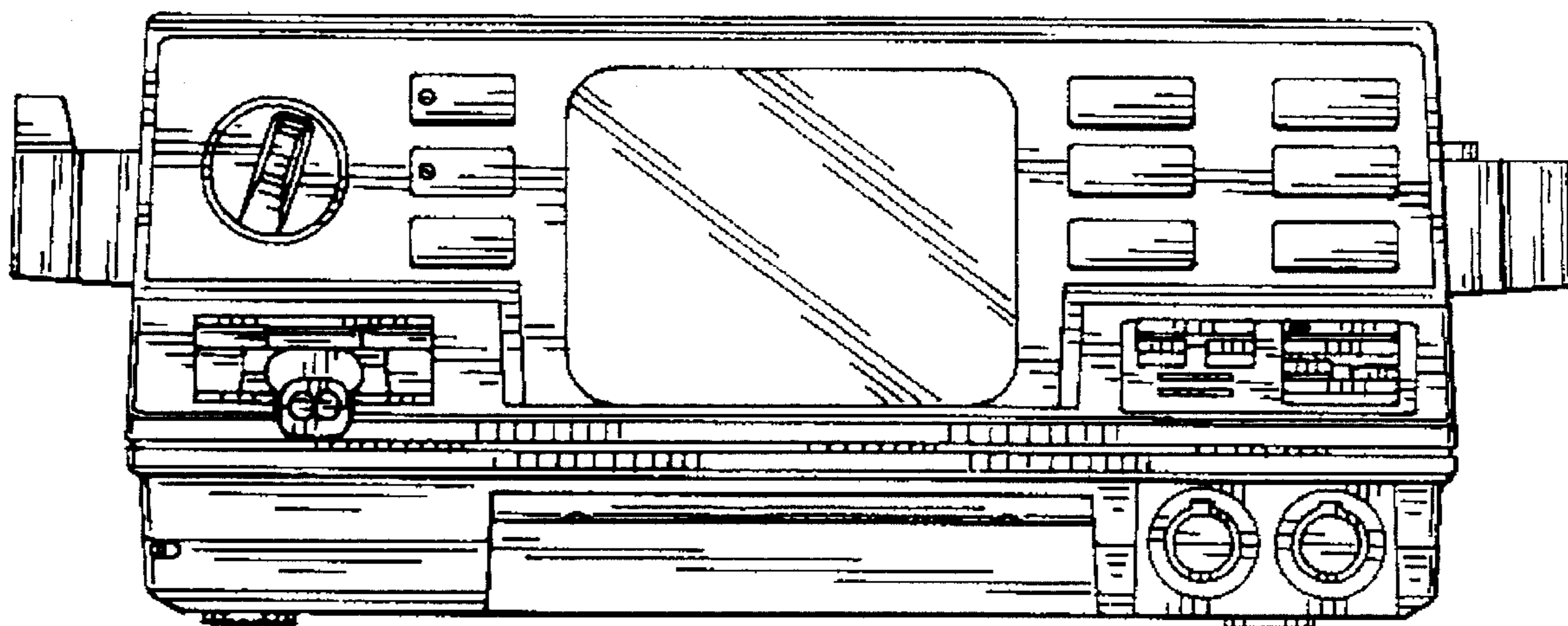


Fig.4

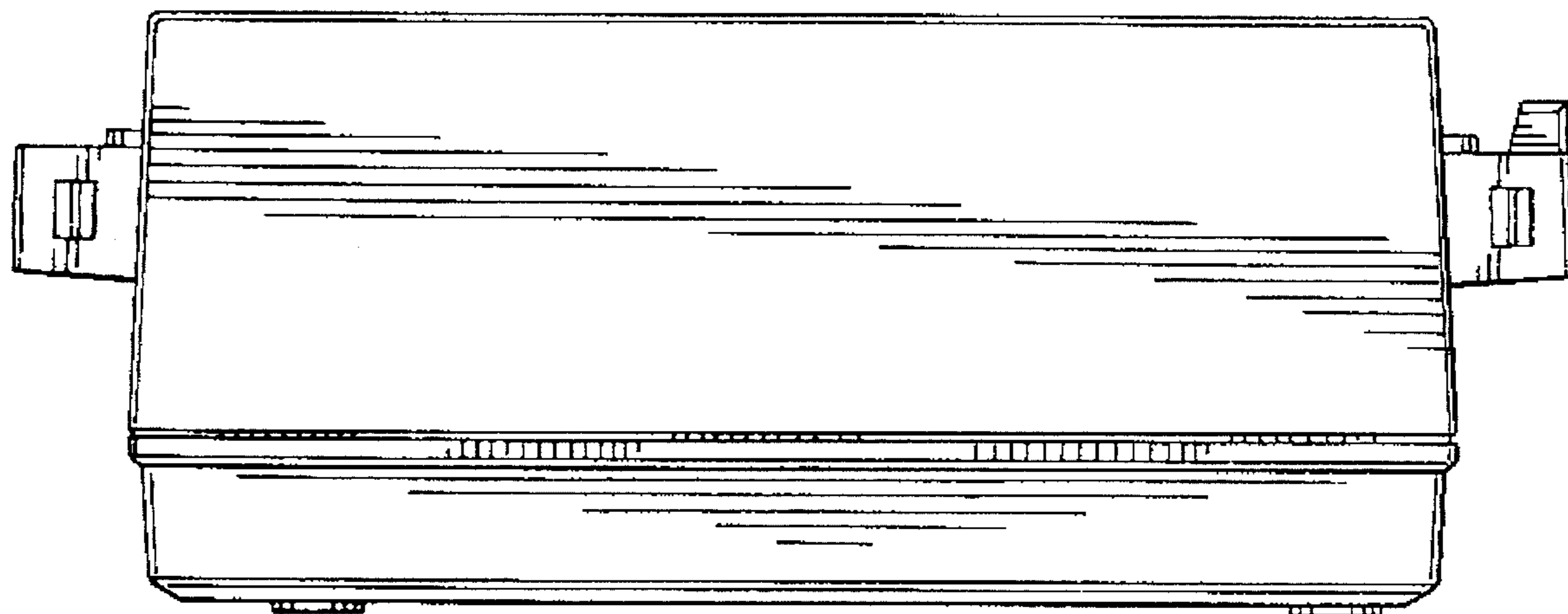


Fig.5

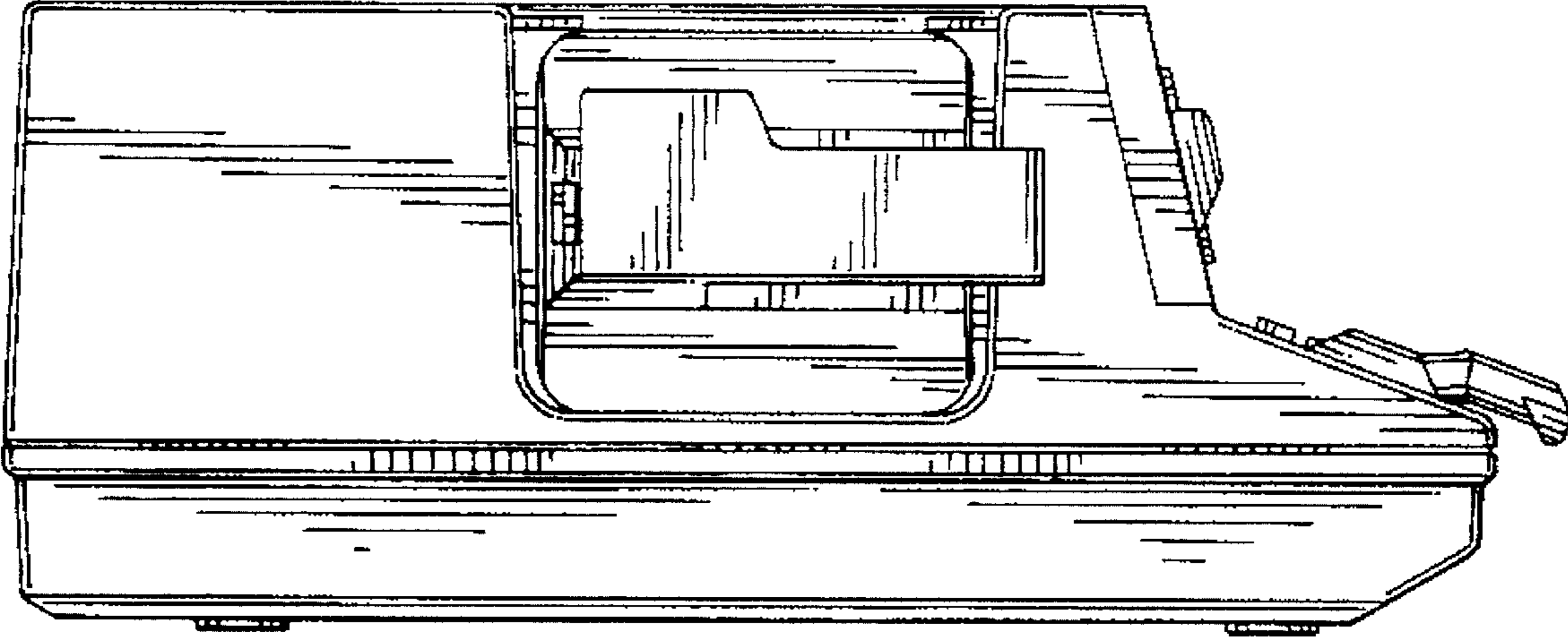


Fig.6

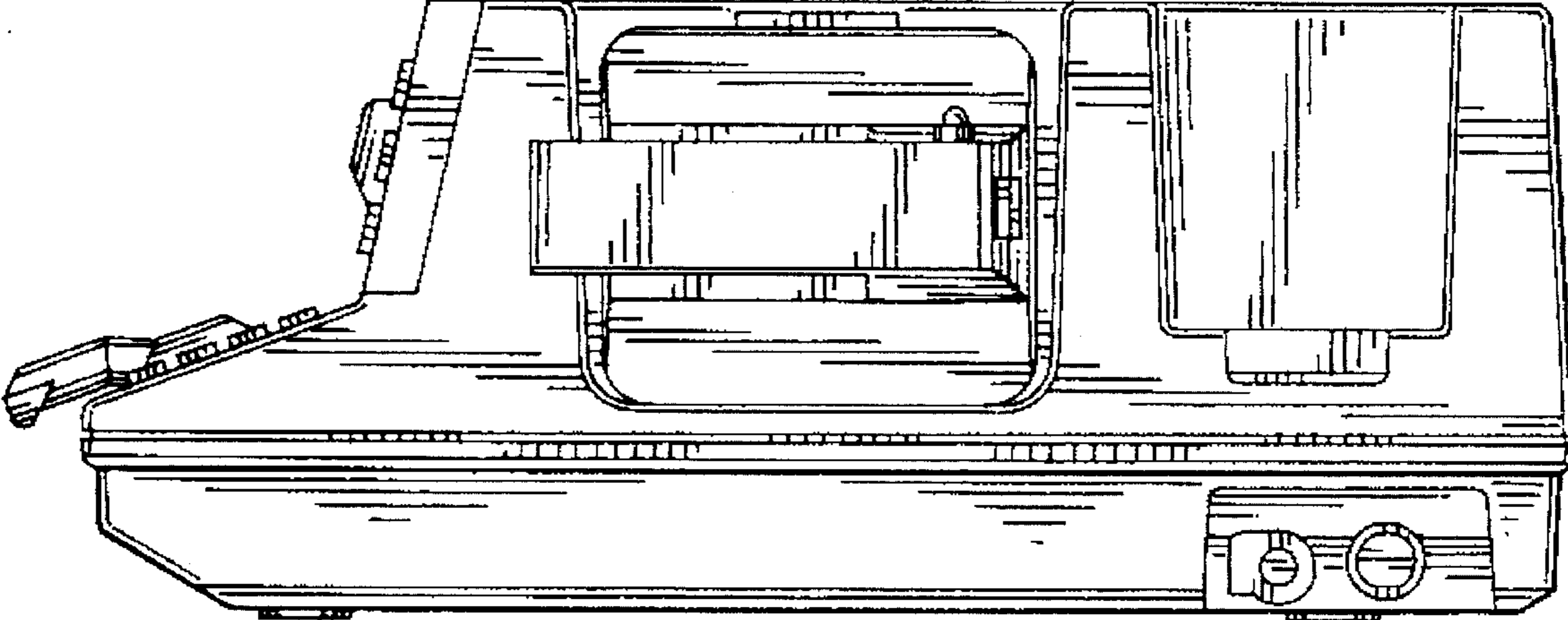


Fig.7