



US00D372533S

United States Patent [19]

[11] Patent Number: **Des. 372,533**

Davis

[45] Date of Patent: ****Aug. 6, 1996**

[54] **MOBILIZED CONTROL IV STAND**

[76] Inventor: **Judy G. Davis**, 550 Water Works Rd., Bremen, Ga. 30110

[**] Term: **14 Years**

[21] Appl. No.: **38,171**

[22] Filed: **Apr. 28, 1995**

[52] U.S. Cl. **D24/128**; 248/121; 211/205

[58] Field of Search D24/128; 248/125, 248/121, 127, 125.2, 158, 122.1; 211/205, 60.1, 74, 170, 205; 284/125, 123.11

[56] **References Cited**

U.S. PATENT DOCUMENTS

176,559	4/1876	Springer	248/158
1,774,542	9/1930	Pratt	248/158
2,103,013	12/1937	Nirdlinger	248/123.2
2,447,924	8/1948	Vitale	211/205

Primary Examiner—Louis S. Zarfes
Assistant Examiner—Frank Martinez
Attorney, Agent, or Firm—Harpman & Harpman

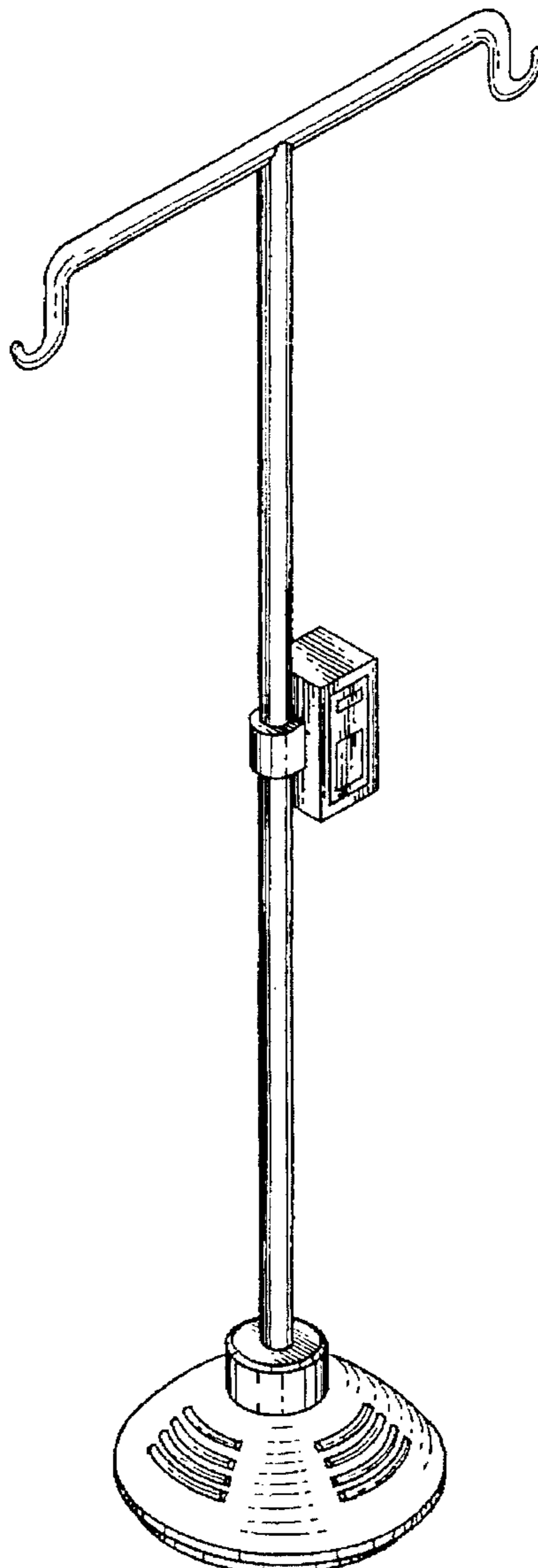
[57] **CLAIM**

The ornamental design for mobilized control iv stand, as shown and described.

DESCRIPTION

FIG. 1 is a front, top and side perspective view of mobilized control iv stand showing my new design; FIG. 2 is a front elevational view thereof; FIG. 3 is a rear elevational view thereof; FIG. 4 is a side elevational view thereof; FIG. 5 is a side elevational view thereof; FIG. 6 is a top plan view thereof; and, FIG. 7 is a bottom plan view thereof.

1 Claim, 3 Drawing Sheets



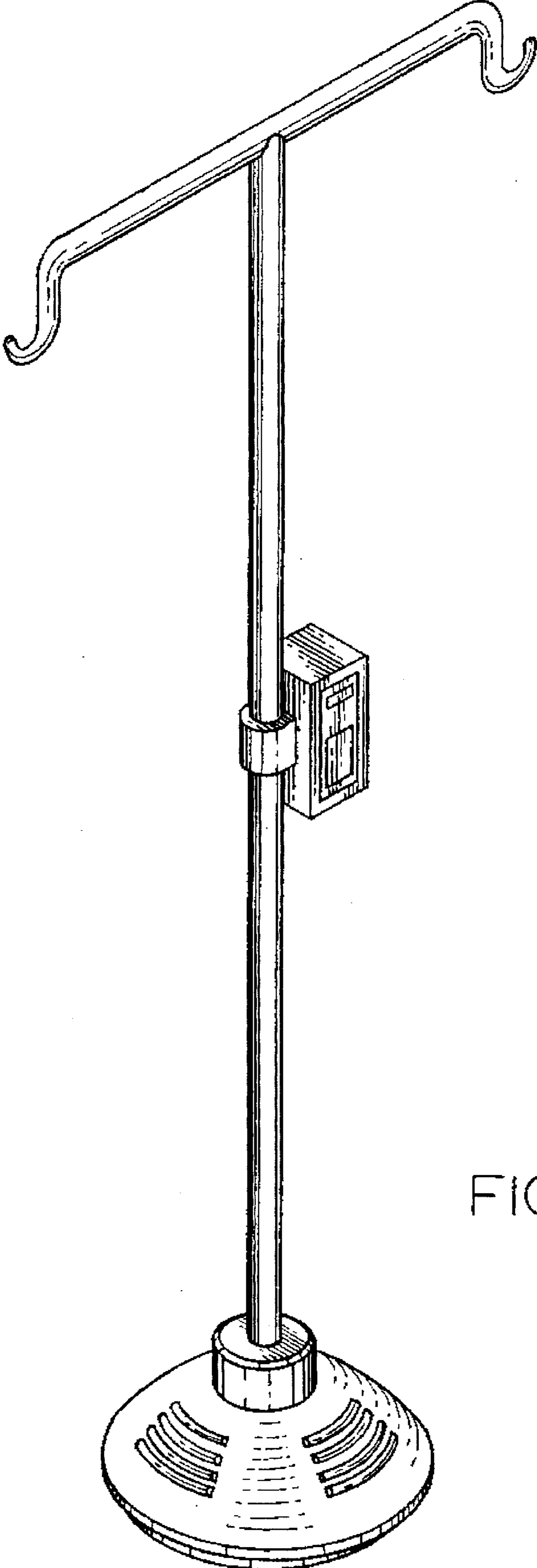


FIG. 1

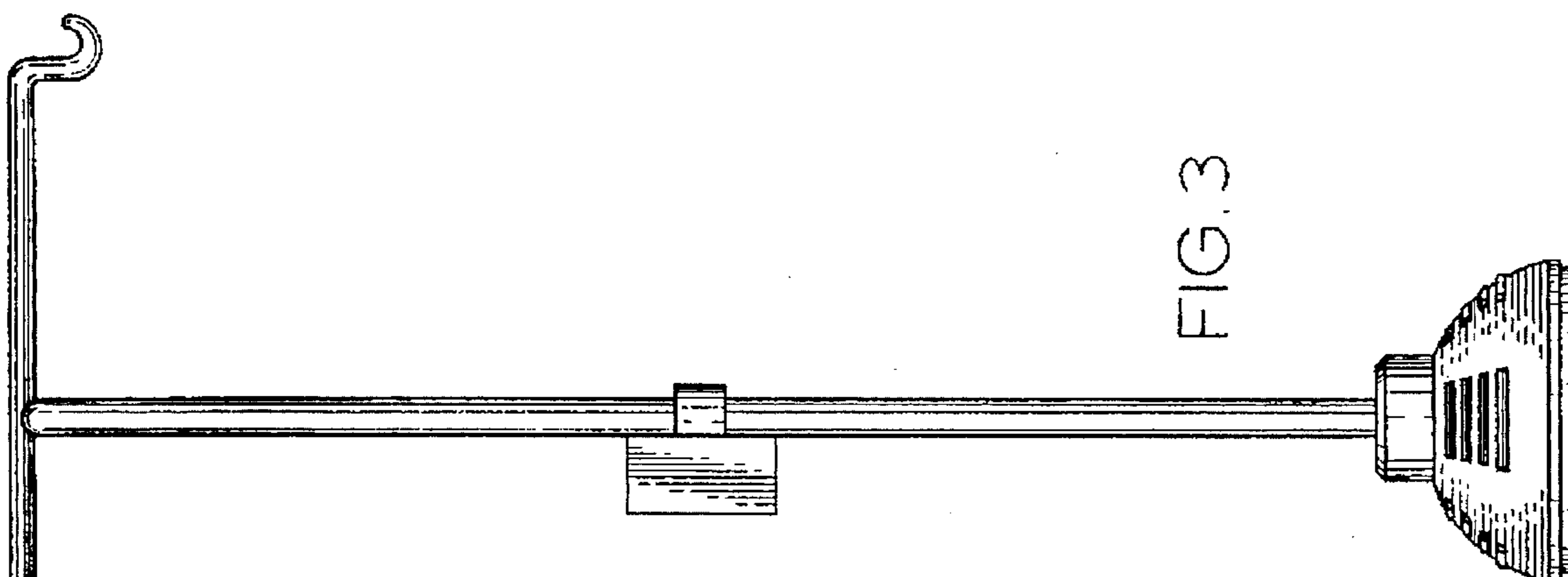


FIG. 3

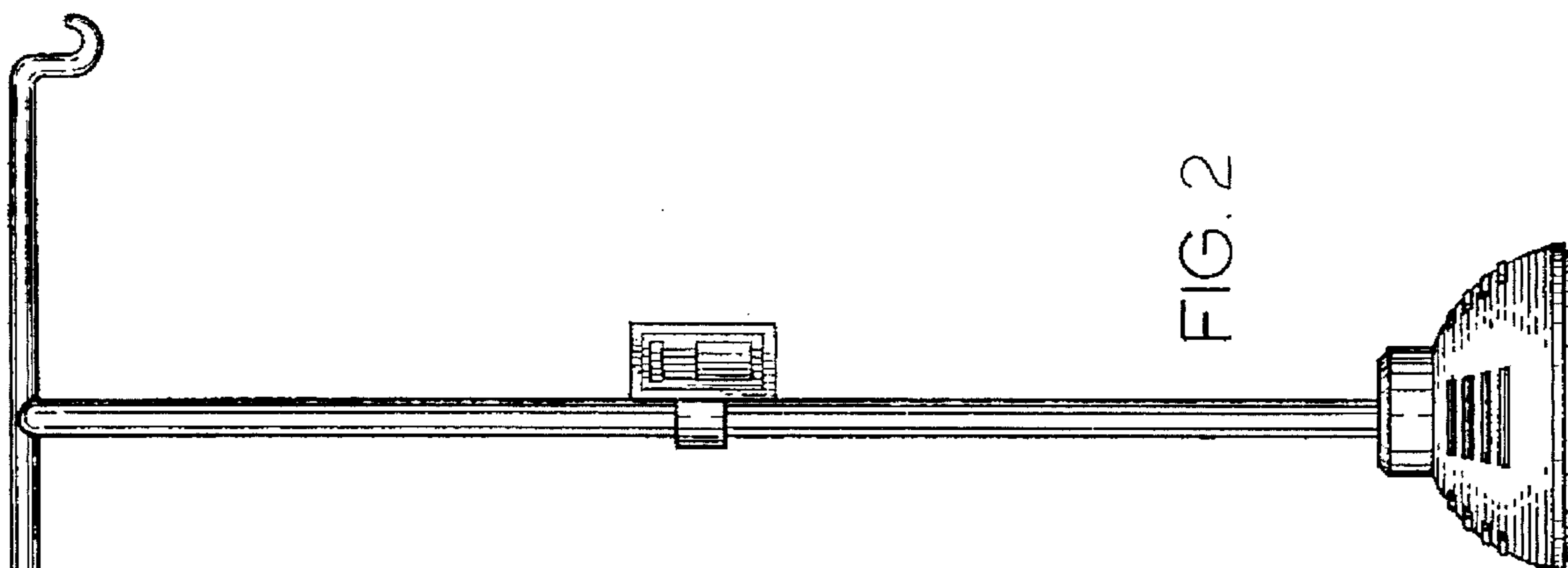


FIG. 2

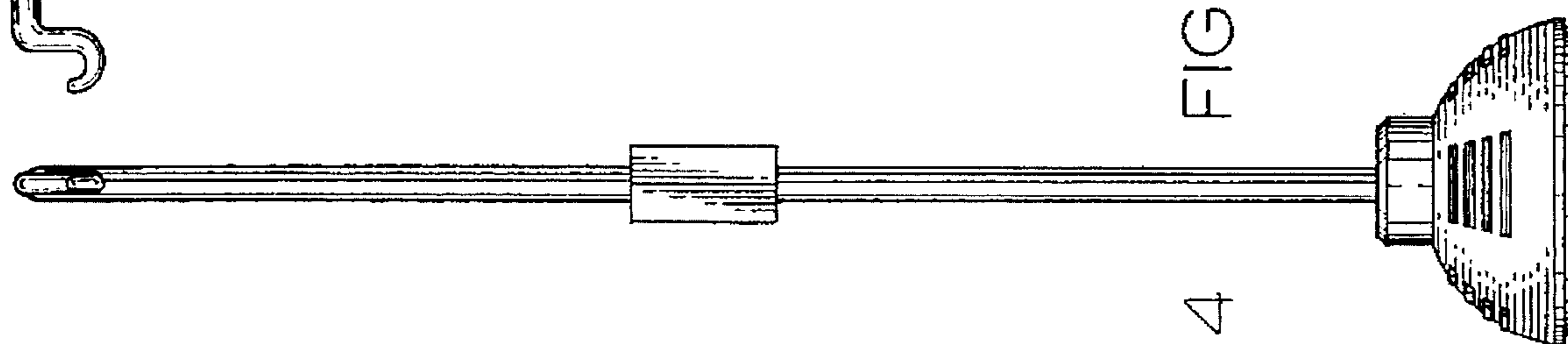


FIG. 5

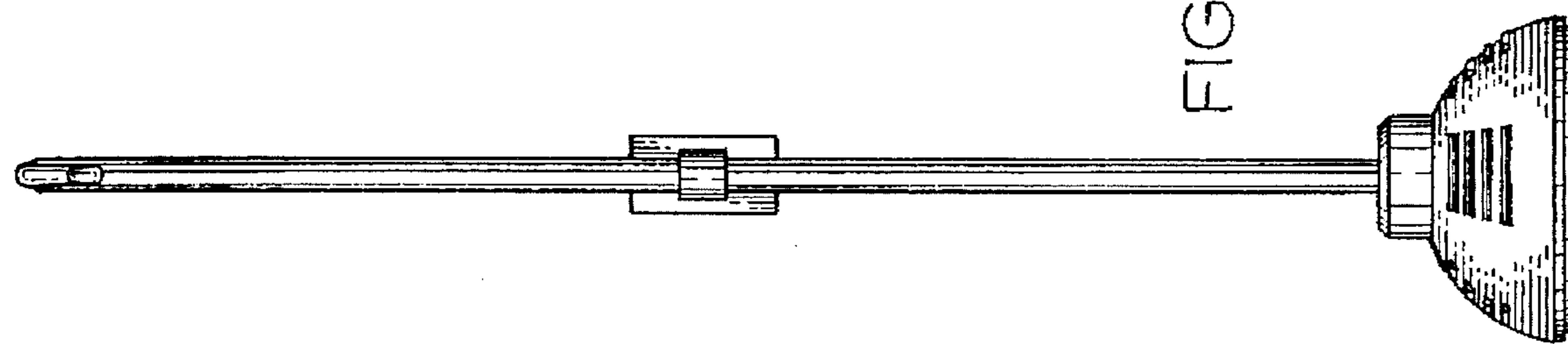


FIG. 4

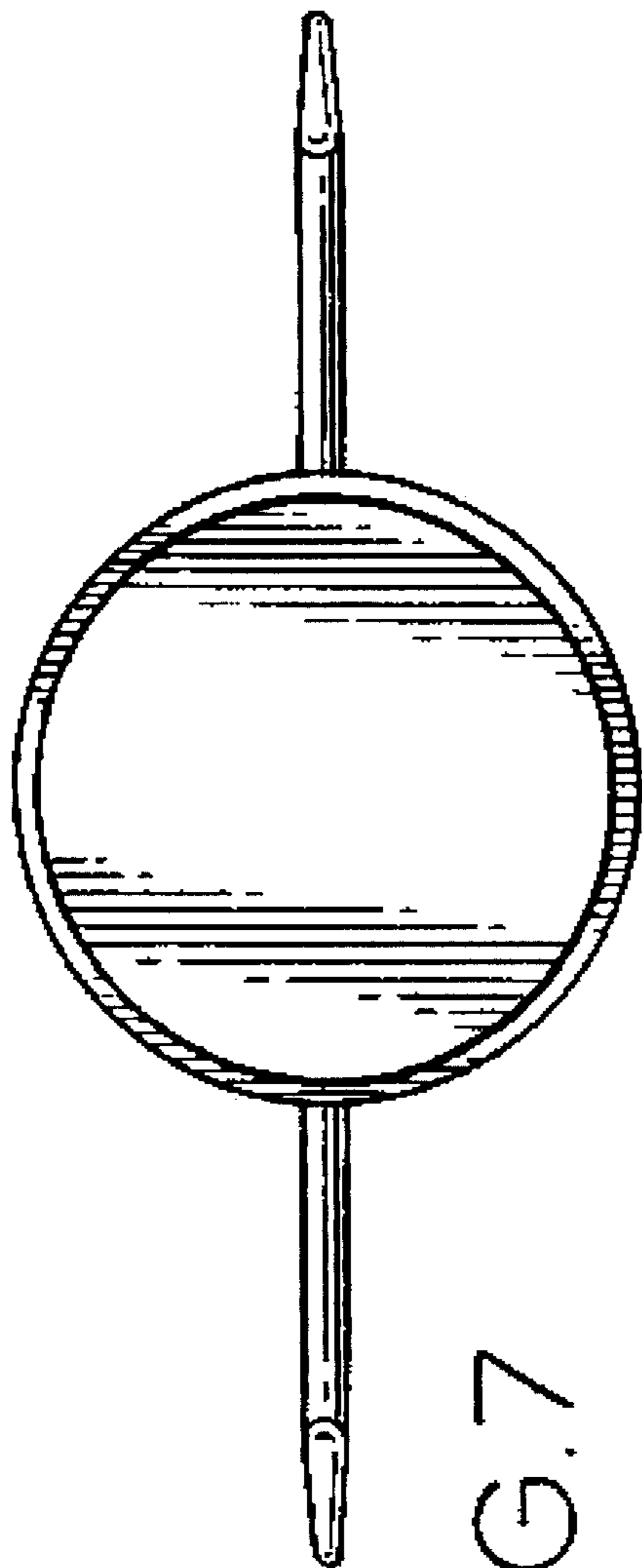


FIG. 7

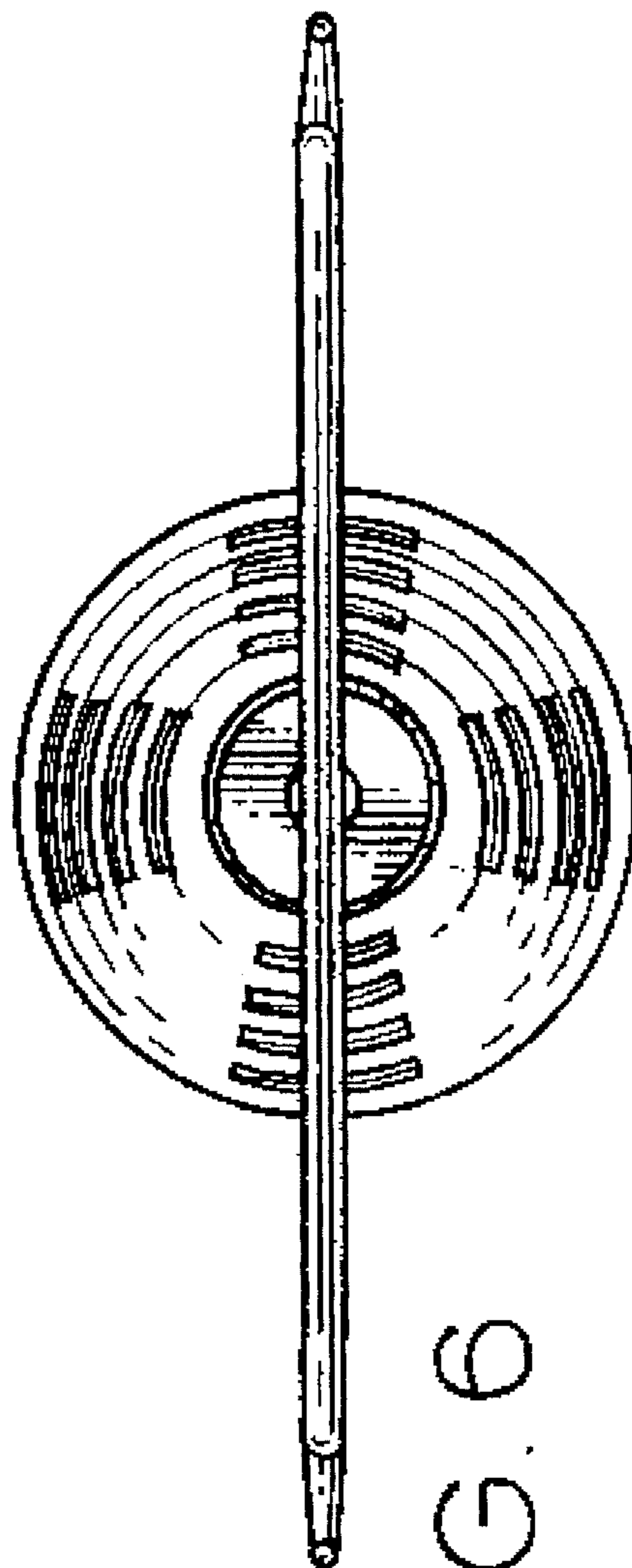


FIG. 6