



US00D372529S

United States Patent [19]

[11] Patent Number: **Des. 372,529**

Remes

[45] Date of Patent: ****Aug. 6, 1996**

[54] PORTABLE OXYGEN DISPENSER

[75] Inventor: **Scott Remes**, Burnsville, Minn.

[73] Assignee: **Minnesota Valley Engineering, Inc.**,
New Prague, Minn.

[**] Term: **14 Years**

[21] Appl. No.: **40,989**

[22] Filed: **Jun. 30, 1995**

[52] U.S. Cl. **D24/110**

[58] Field of Search D24/110; 128/203.15,
128/205.24, 205.12, 205.15, 205.18, 205.22,
202.23

[56] References Cited

U.S. PATENT DOCUMENTS

| | | | | |
|------------|---------|-------------------|-------|--------------|
| D. 297,869 | 9/1988 | Bartos | | D24/110 |
| 4,409,978 | 10/1983 | Bartos | | 128/205.12 |
| 4,506,667 | 3/1985 | Ansite | | 128/205.12 X |
| 4,940,049 | 7/1990 | Kirchgeorg et al. | | 128/204.18 X |

Primary Examiner—Louis S. Zarfes

Assistant Examiner—I. Simmons

Attorney, Agent, or Firm—Rockey, Rifkin and Ryther

[57] CLAIM

The ornamental design for portable oxygen dispenser, as shown.

DESCRIPTION

FIG. 1 is a perspective view of a portable oxygen dispenser illustrating the new design;

FIG. 2 is a top view of the portable oxygen dispenser of FIG. 1;

FIG. 3 is a bottom view of the portable oxygen dispenser of FIG. 1;

FIG. 4 is a front view of the portable oxygen dispenser of FIG. 1;

FIG. 5 is a rear view of the portable oxygen dispenser of FIG. 1; and,

FIGS. 6 and 7 are side views of the portable oxygen dispenser of FIG. 1.

1 Claim, 3 Drawing Sheets

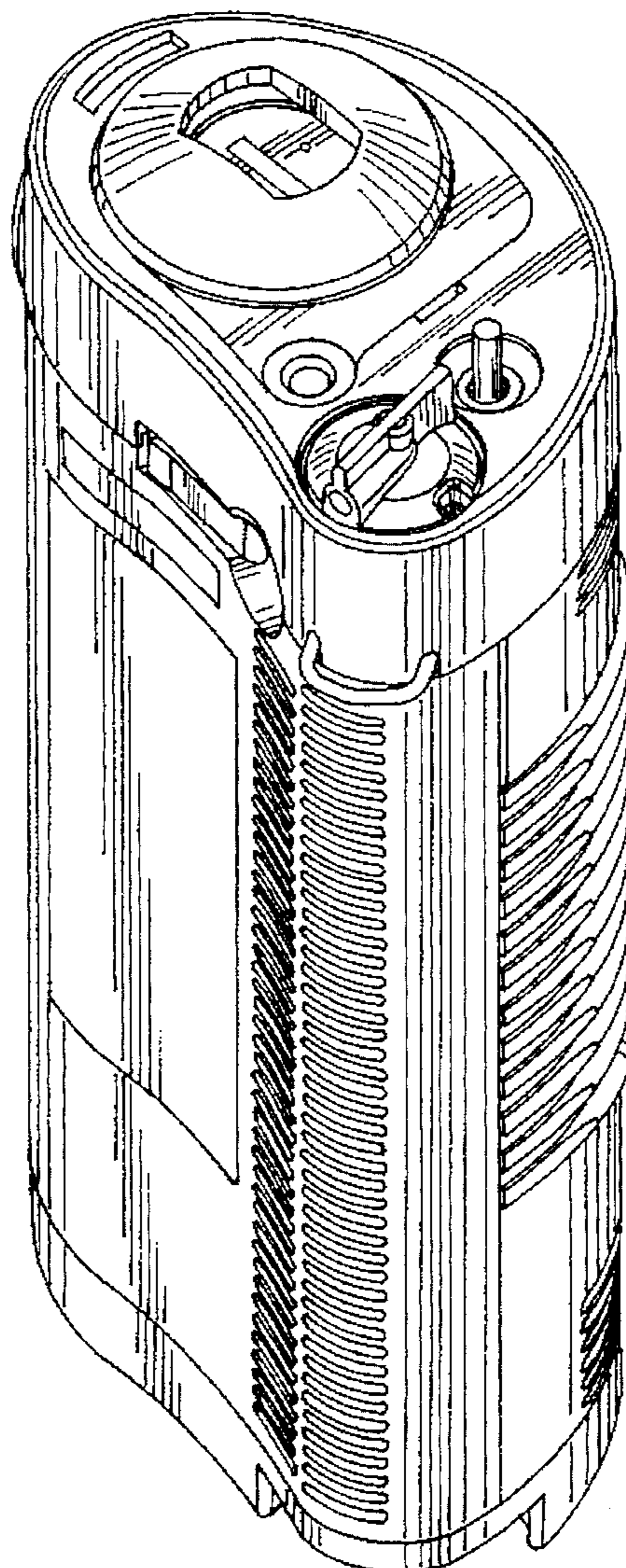


FIG. 1

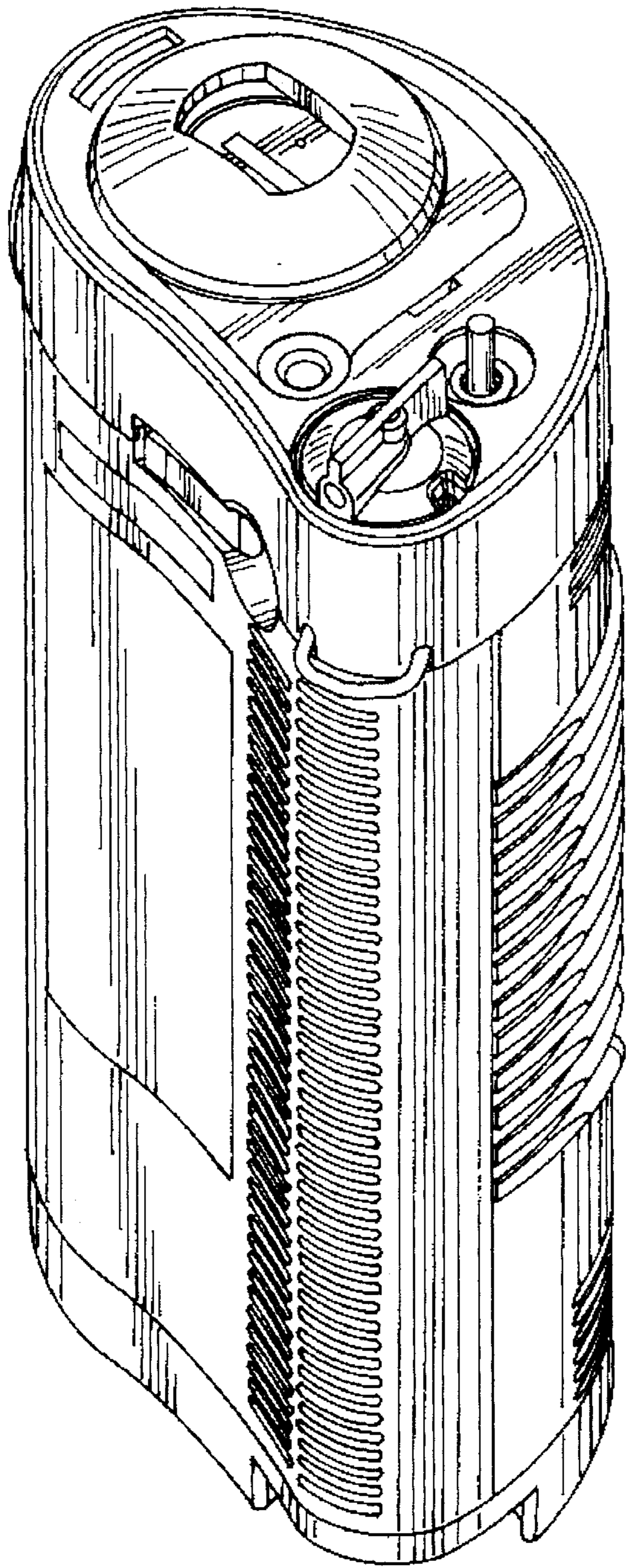


FIG. 2

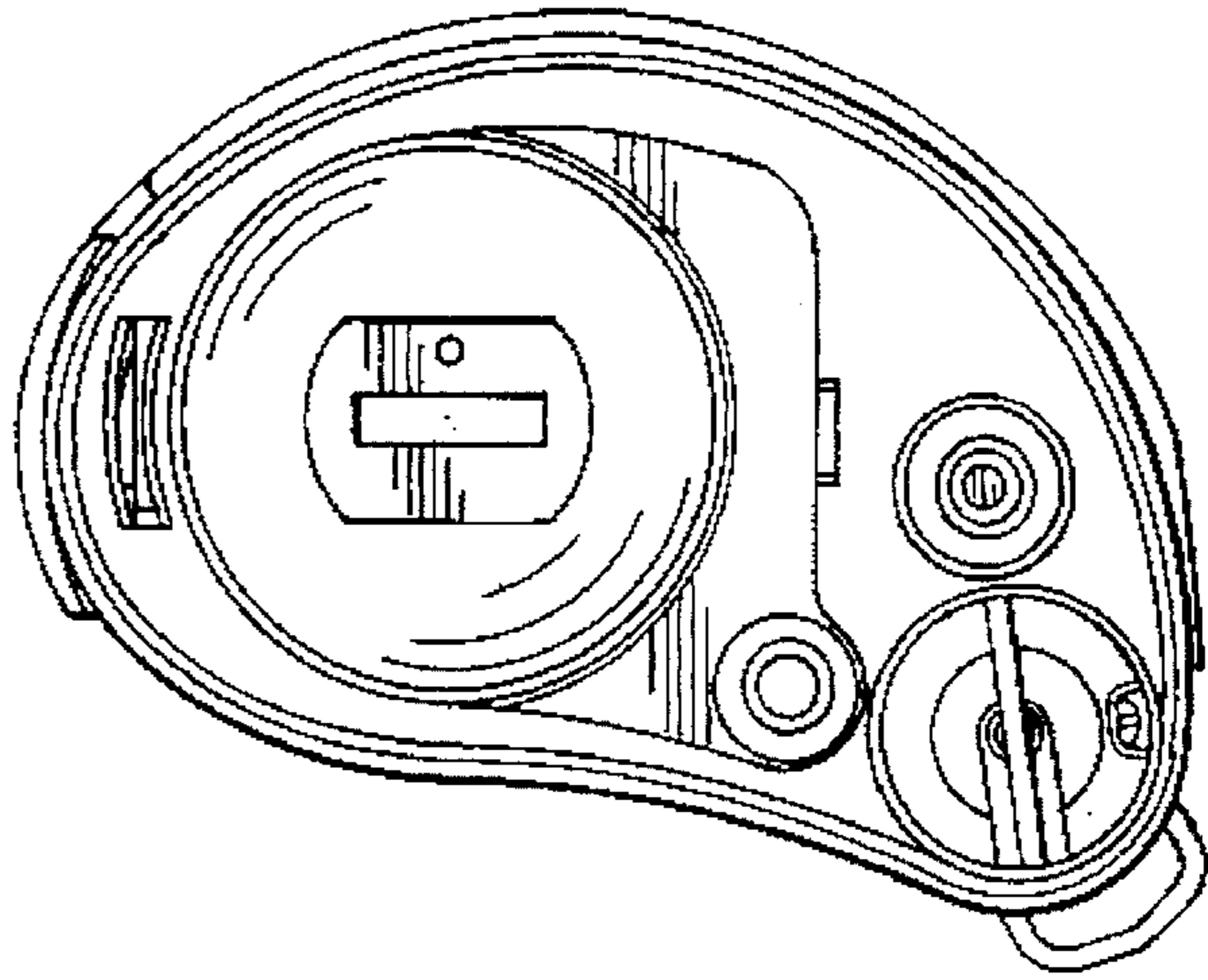


FIG. 3

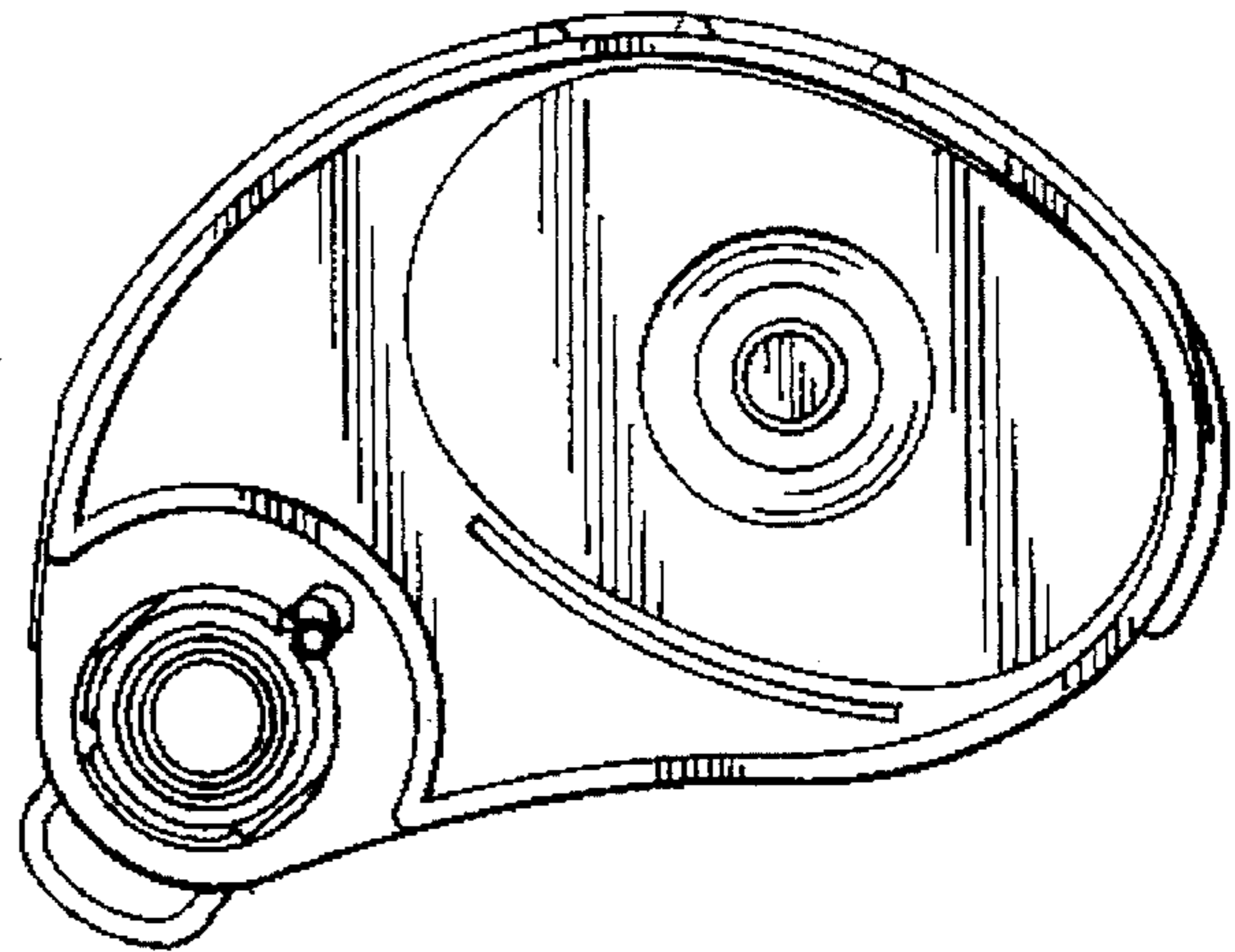


FIG. 4

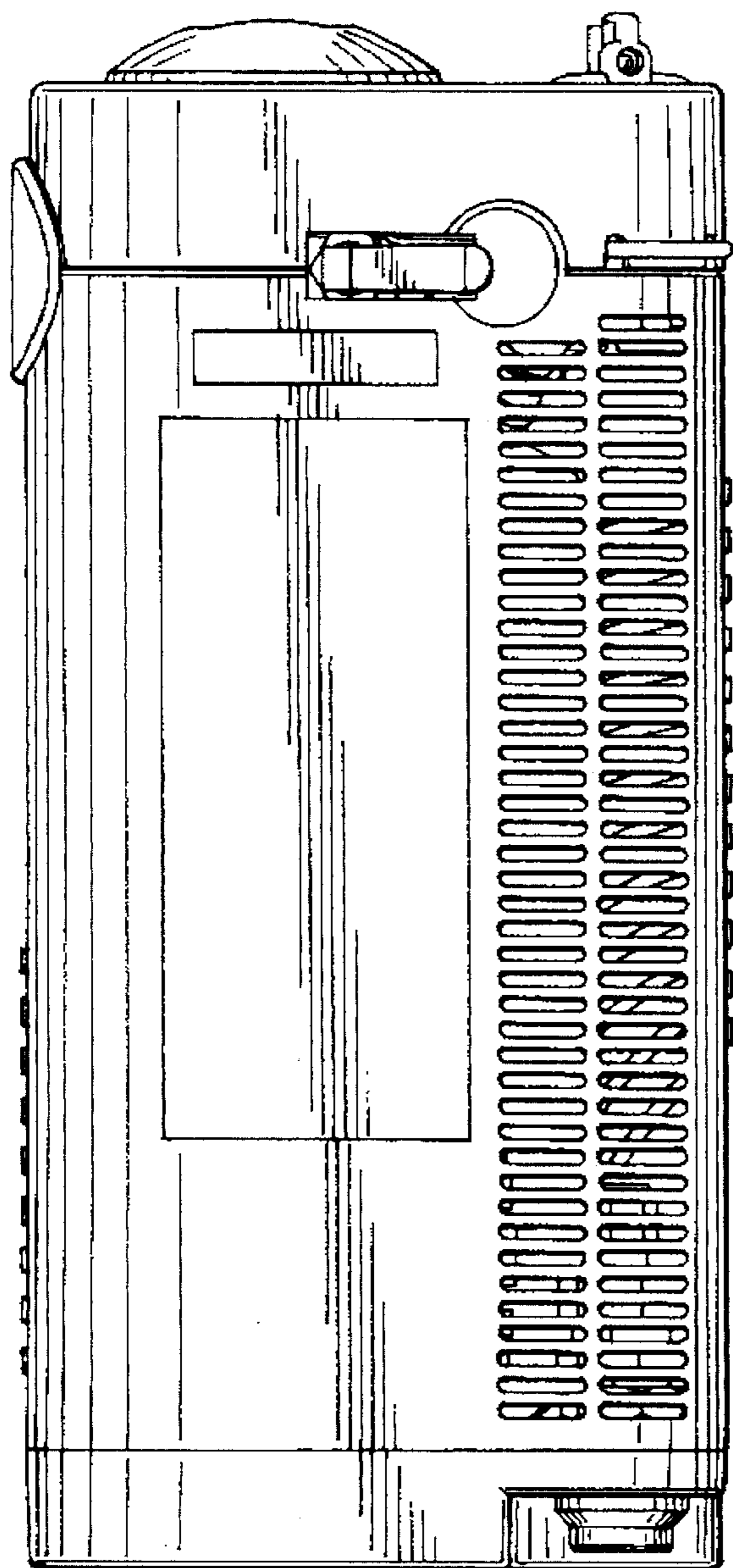


FIG. 5

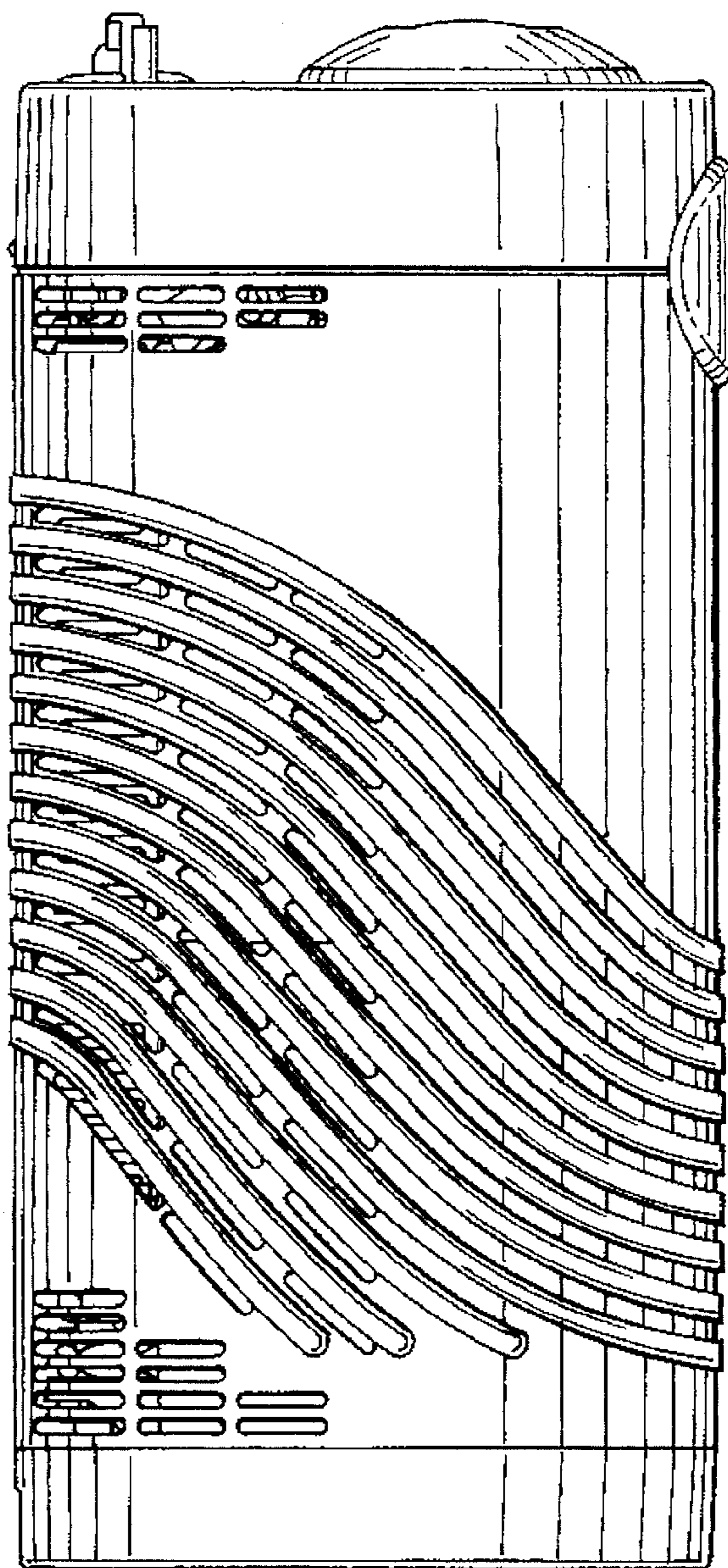


FIG. 6

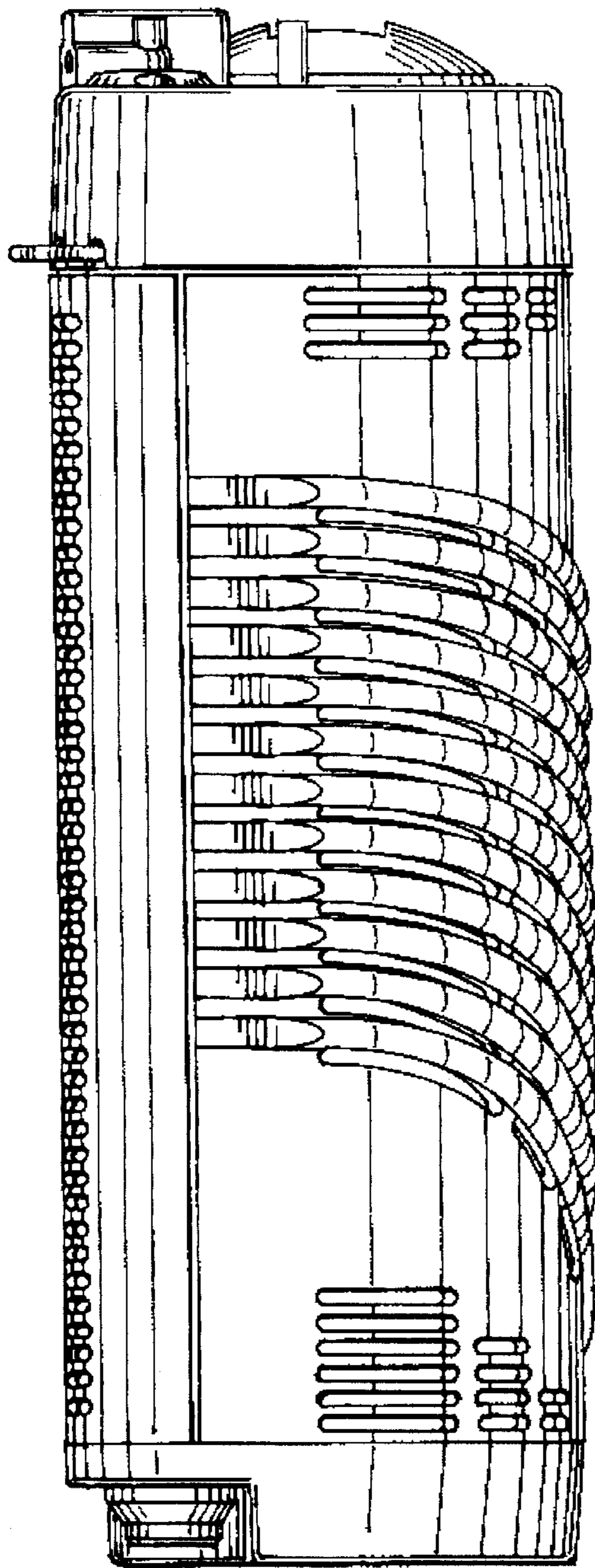


FIG. 7

