



US00D372516S

United States Patent [19]

[11] Patent Number: **Des. 372,516**

Nimmo

[45] Date of Patent: ****Aug. 6, 1996**

[54] **NOZZLE FOR SWIMMING POOLS OR SPAS**

1,717,709	6/1929	Johnson	239/201 X
1,931,761	10/1933	Hertel	239/204
3,239,149	3/1966	Lindberg, Jr.	239/201 X
3,613,995	10/1971	Kane	239/200
5,291,621	3/1994	Mathis	239/414

[75] Inventor: **Craig A. Nimmo**, Molendinar, Australia

[73] Assignee: **Paramount Lesure Products Pty. Ltd.**,
Molendinar, Australia

[**] Term: **14 Years**

Primary Examiner—A. Hugo Word
Assistant Examiner—Robin V. Taylor
Attorney, Agent, or Firm—Kimmel, Crowell & Weaver

[21] Appl. No.: **37,386**

[57] **CLAIM**

[22] Filed: **Apr. 3, 1995**

The ornamental design for a nozzle for swimming pools or spas, as shown and described.

[52] U.S. Cl. **D23/213**

[58] Field of Search D23/213-224;
D24/201; 239/252, 262, 295-298; 4/492,
541.4, 541.6

DESCRIPTION

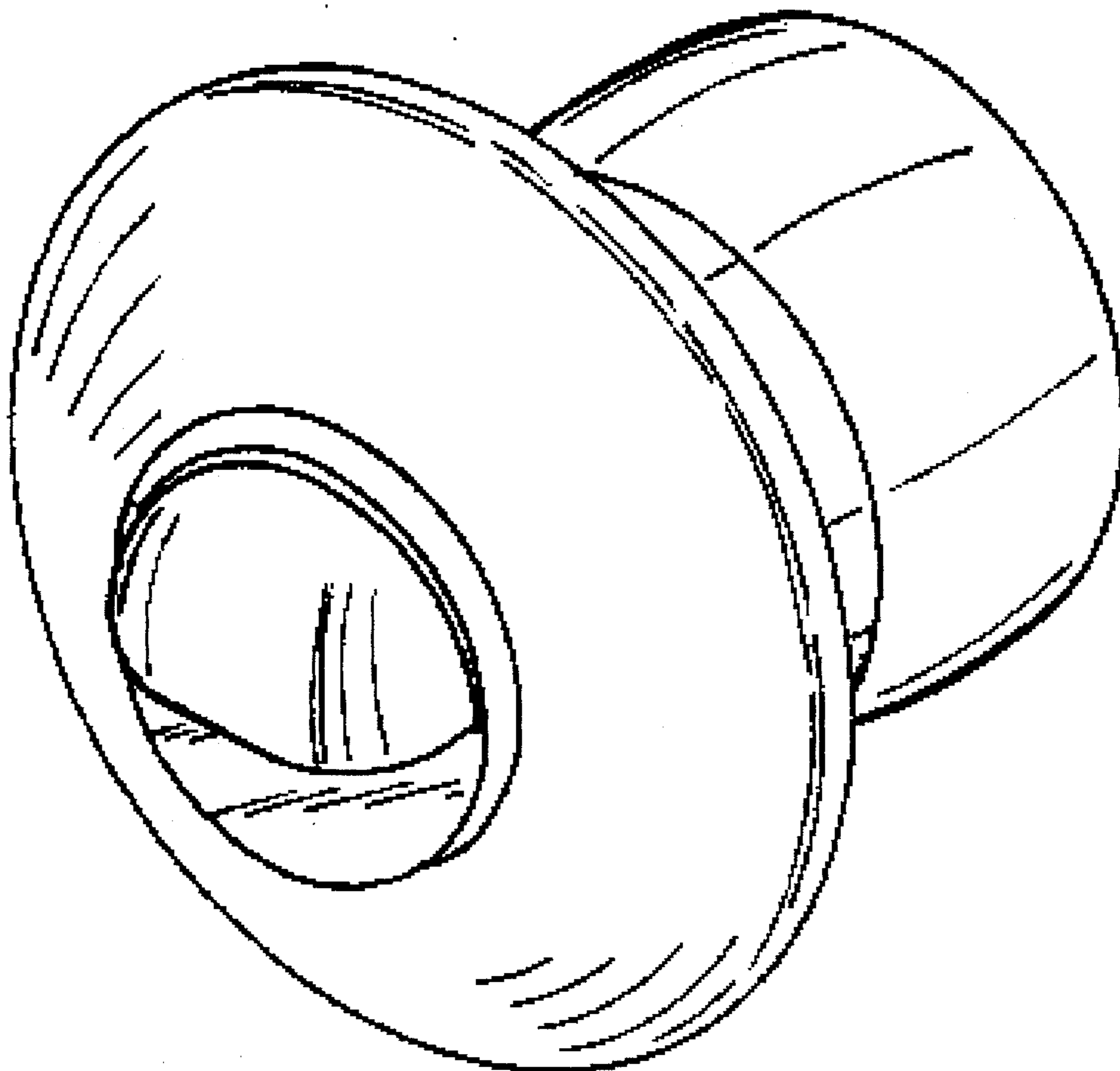
[56] **References Cited**

FIG. 1 is a perspective view from the front of a nozzle for swimming pools or spas showing my new design;
FIG. 2 is a perspective view from the rear thereof;
FIG. 3 is a front elevational view thereof;
FIG. 4 is a rear elevational view thereof;
FIG. 5 is a side elevational view thereof, the opposite side being a mirror image;
FIG. 6 is a bottom plan view thereof; and,
FIG. 7 is a top plan view thereof.

U.S. PATENT DOCUMENTS

D. 164,422	9/1951	Holden	D23/213
D. 259,735	6/1981	Moreland	D23/213
D. 260,807	9/1981	Moreland	D23/213
D. 301,731	6/1989	Allen et al.	D23/213
D. 318,900	8/1991	Zarinfar	D23/213
D. 320,432	10/1991	Graf	D23/213
D. 332,479	1/1993	Nimmo	D23/213

1 Claim, 2 Drawing Sheets



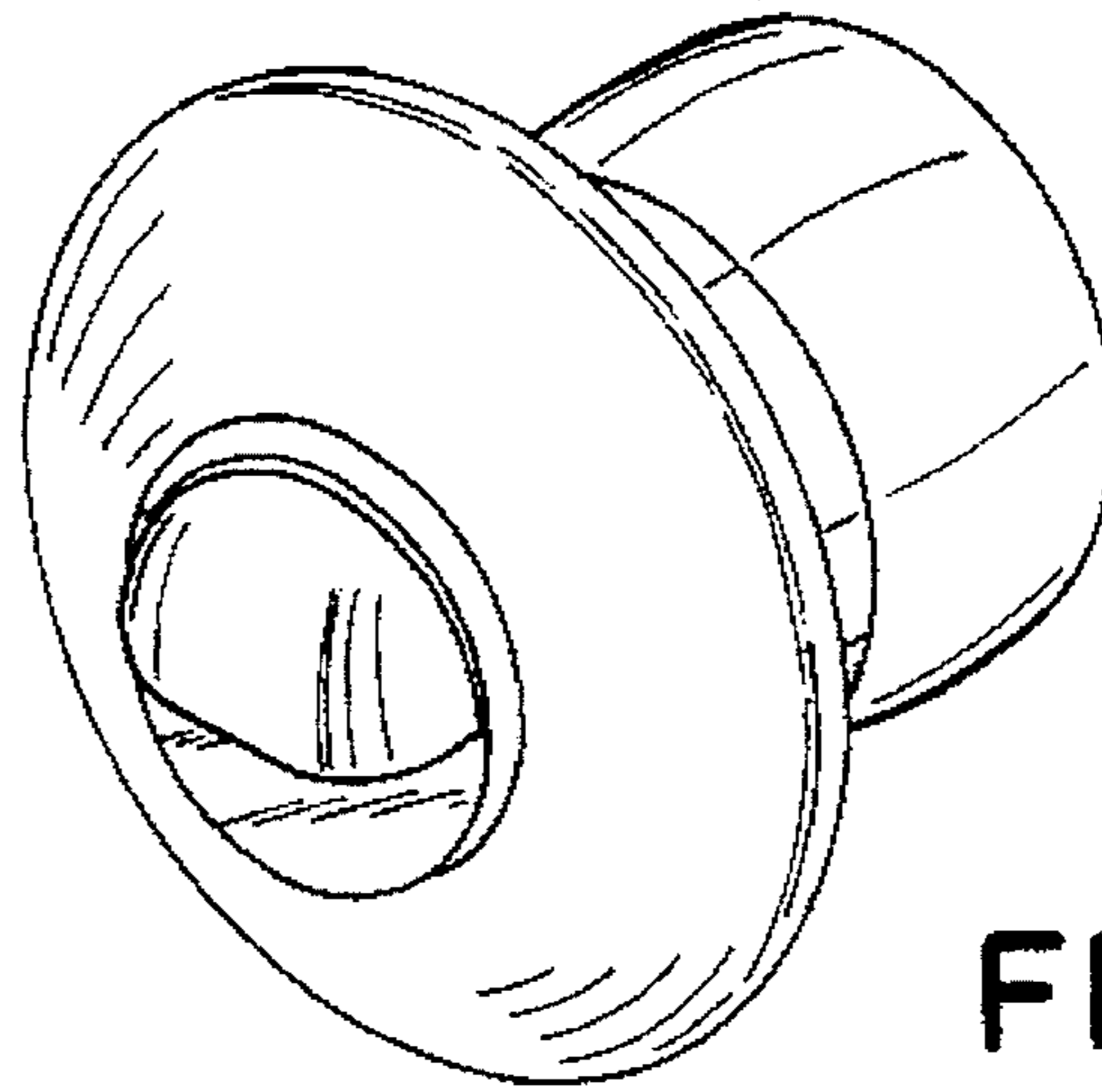


FIG.1

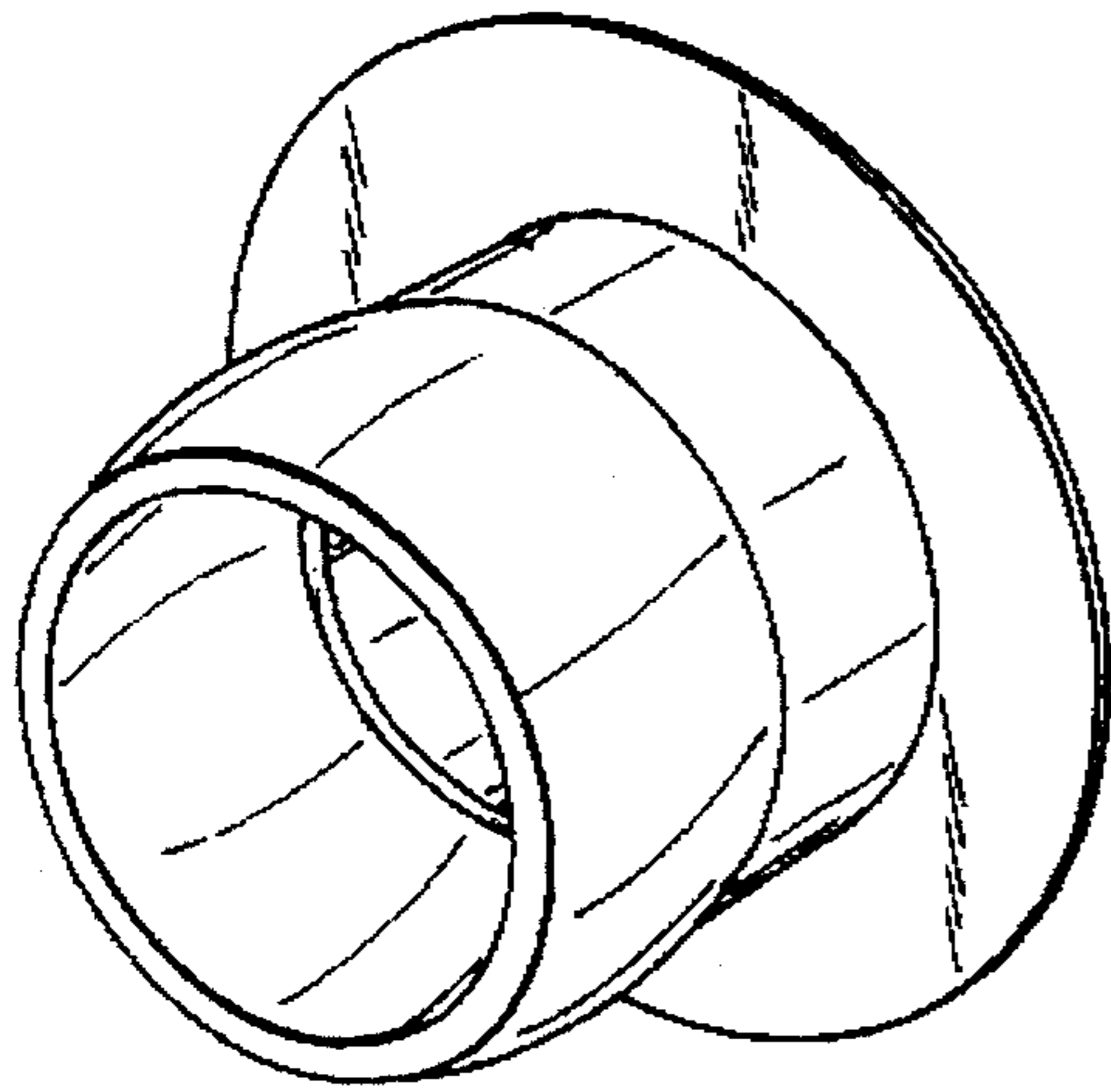


FIG.2

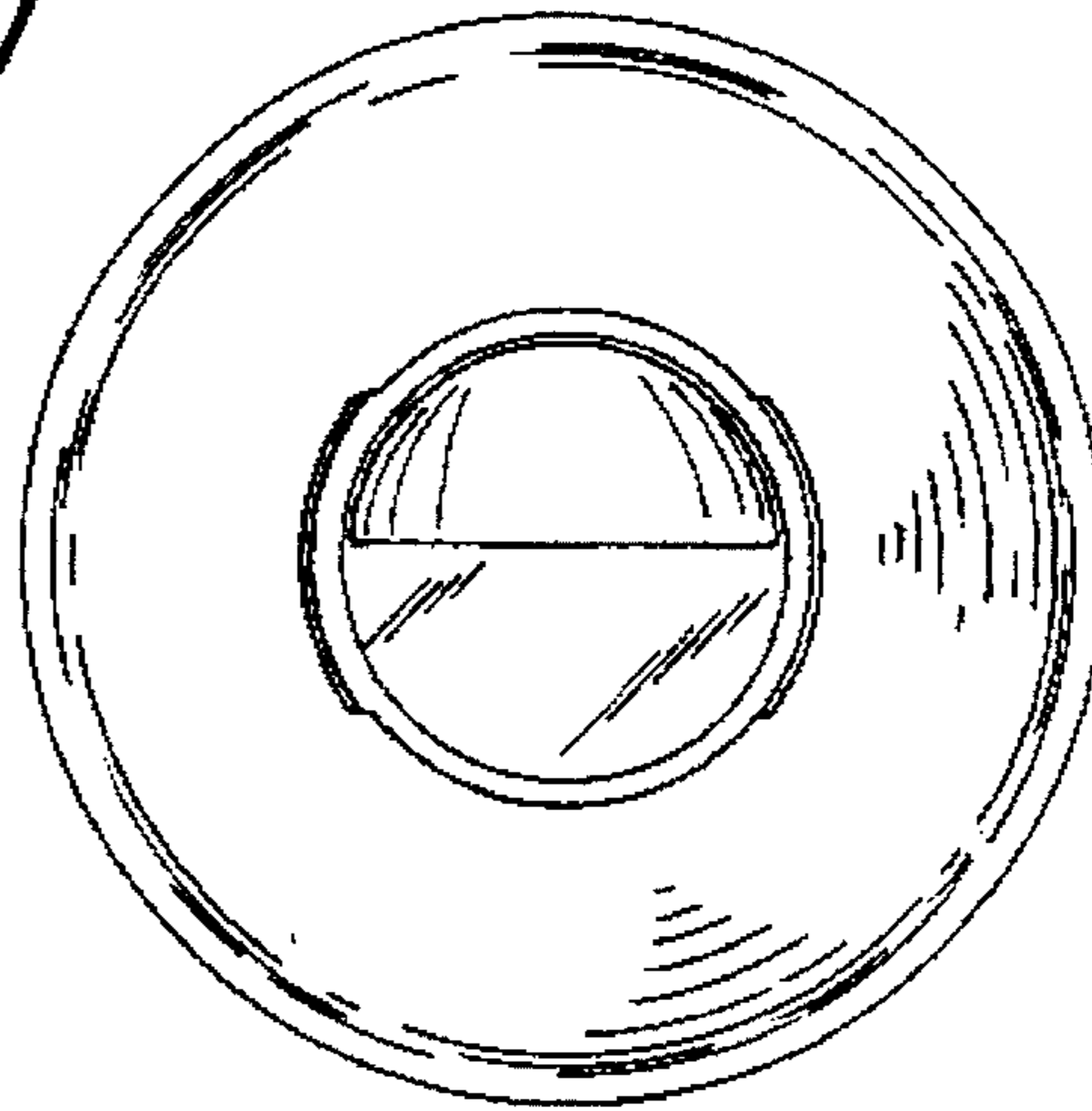


FIG.3

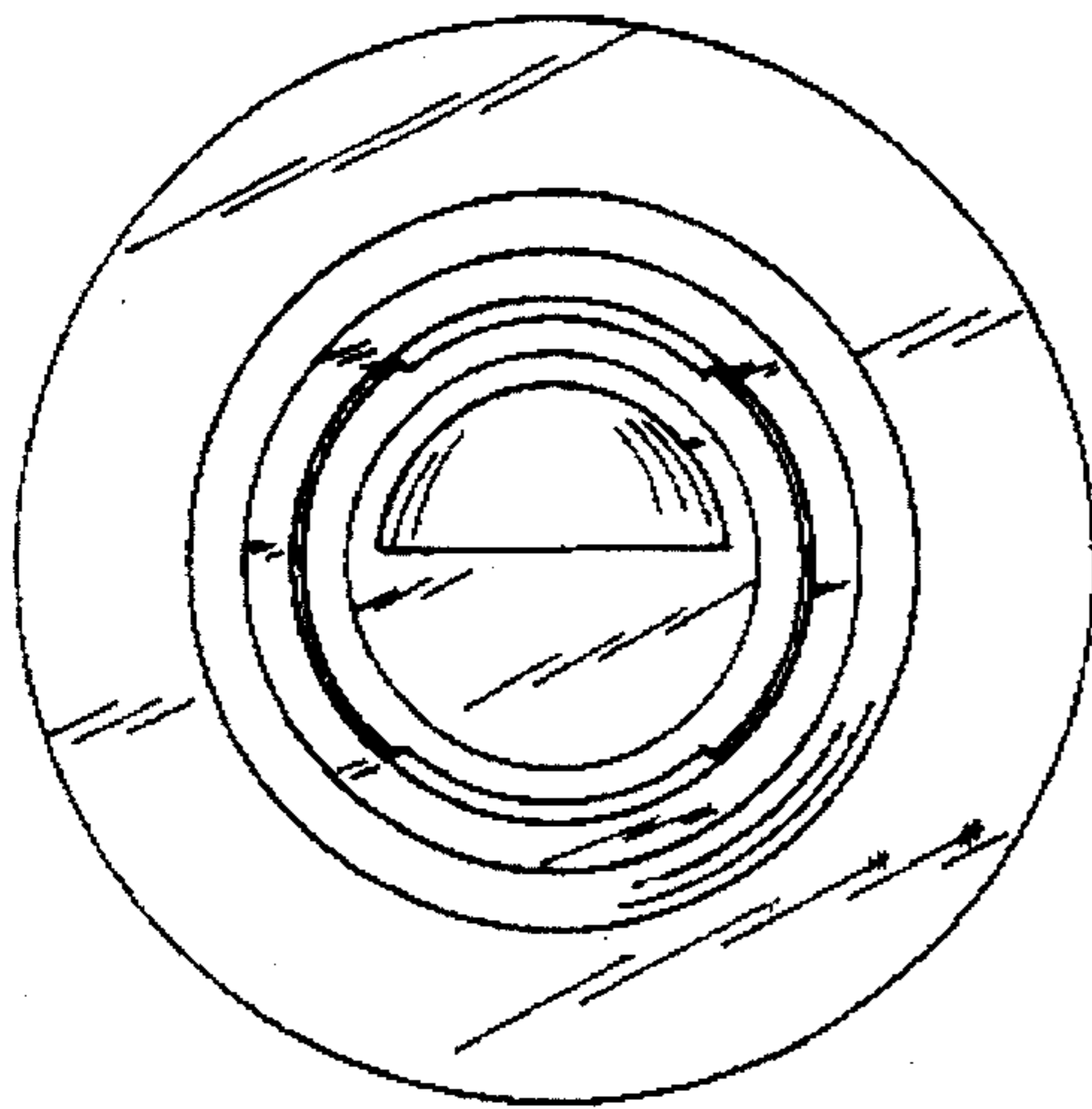


FIG.4

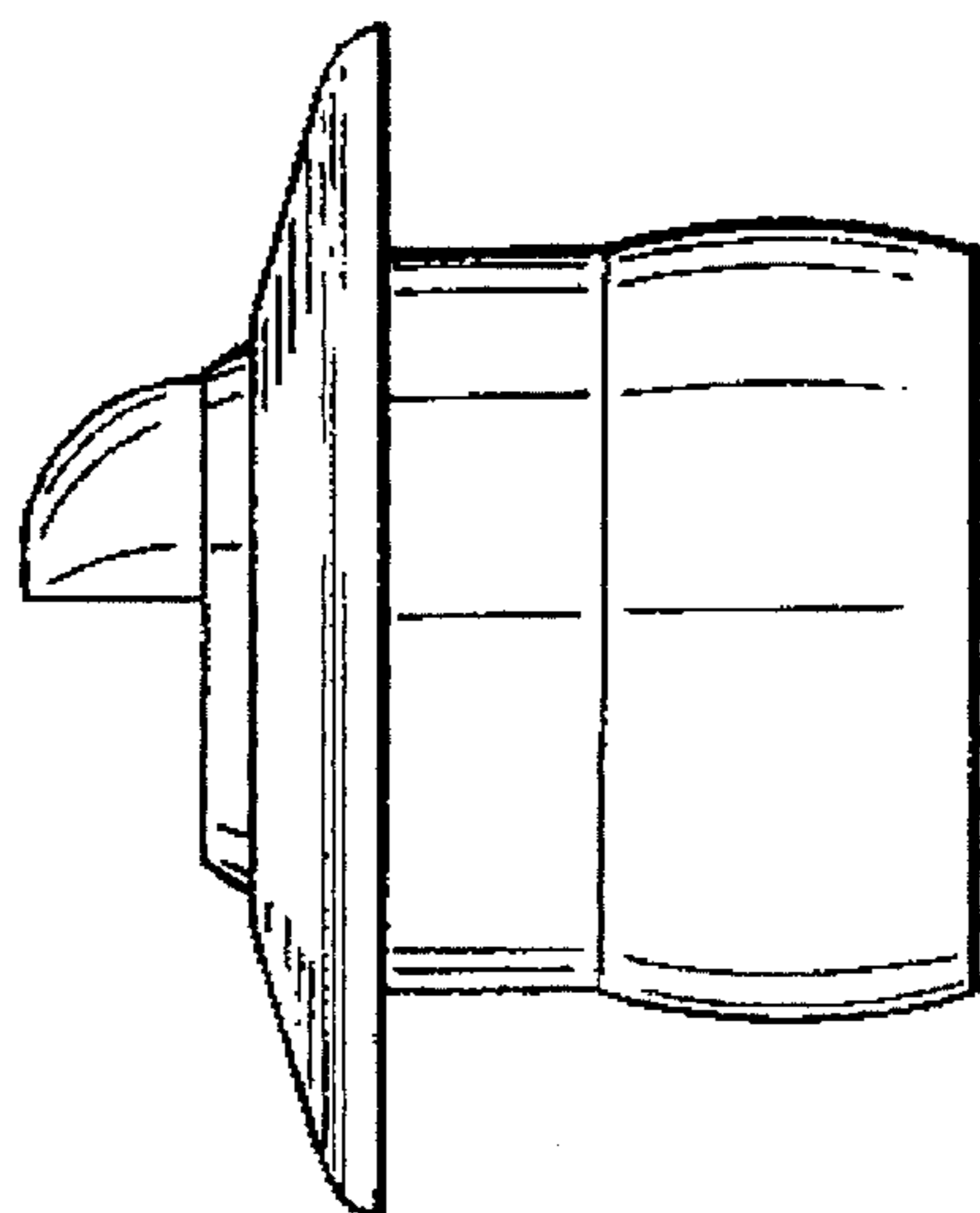


FIG.5

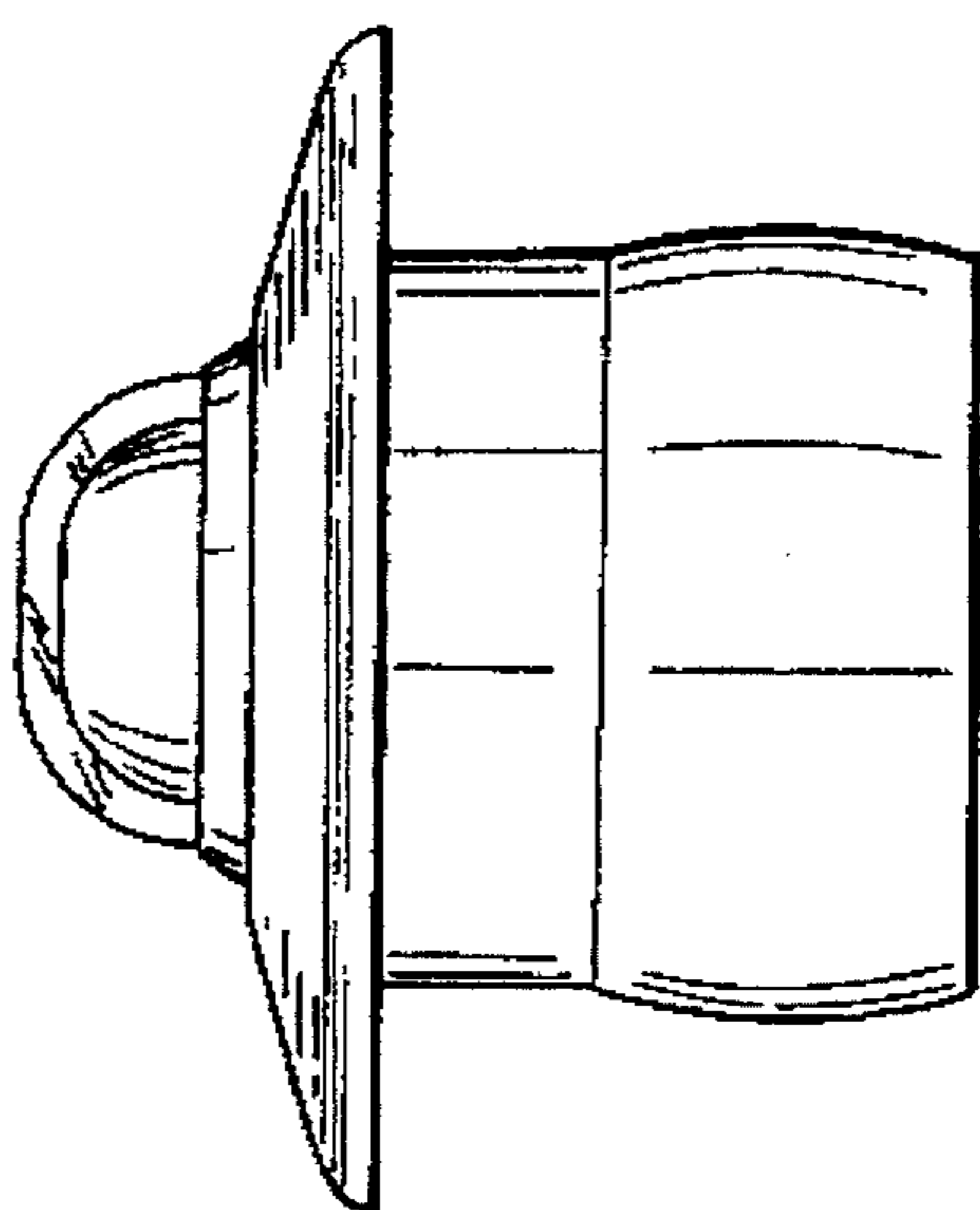


FIG.6

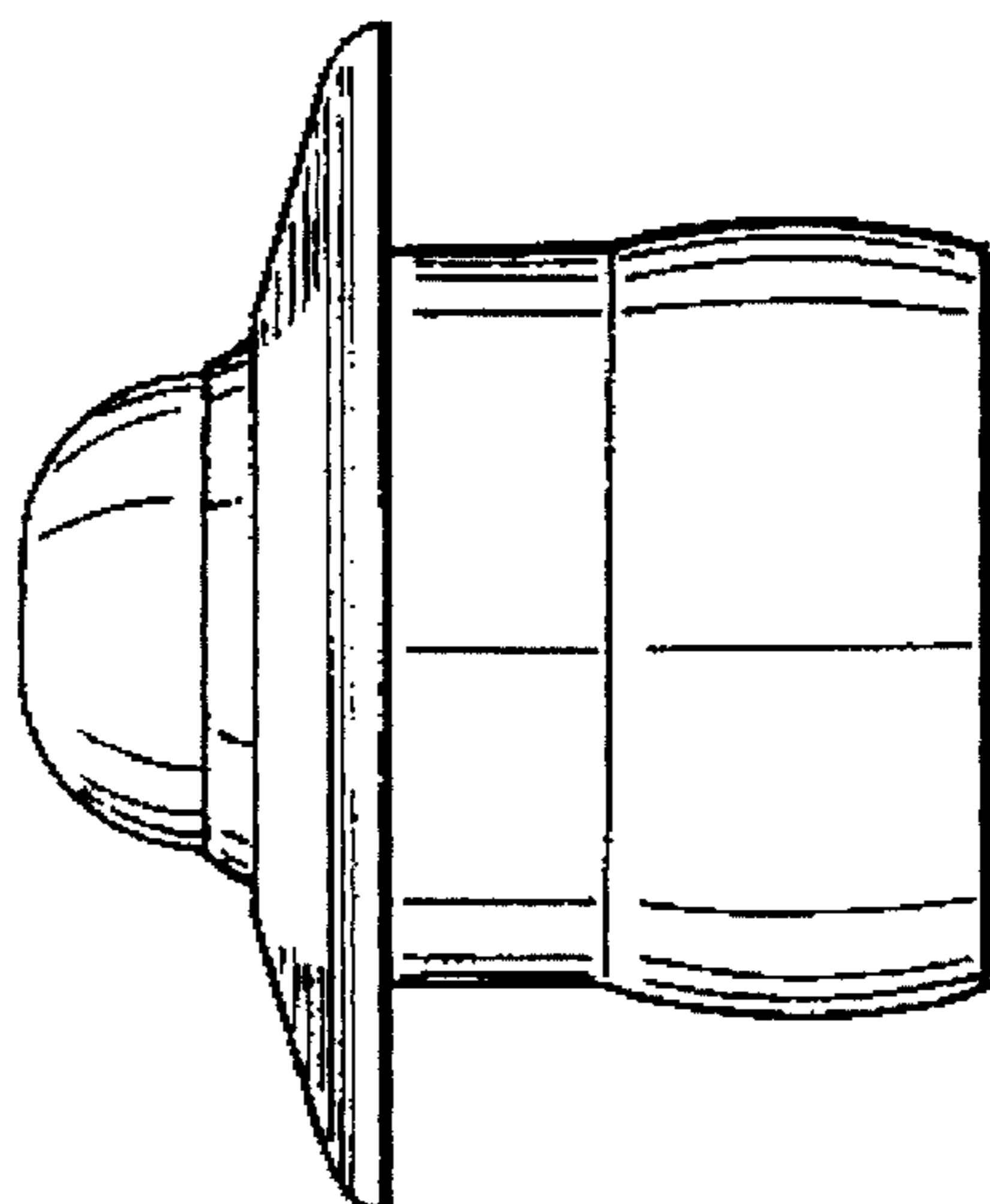


FIG.7